




Product Name:	White Wood 2-Drawer Storage Console Table
SKU #:	WHIF1599

Thank you for purchasing this Luxen Home product. This product has been manufactured with the highest standards of safety and quality.

PLEASE READ ALL INSTRUCTIONS BEFORE ASSEMBLY.

Unpack all parts from Styrofoam and bubble wrap inside the carton to ensure there are no missing or damaged parts. If any parts are missing or damaged, do not attempt to assemble or use the product.

CARTON CONTENTS:

A		1 pc
B		4 pcs
C		4 pcs
D		1 pc

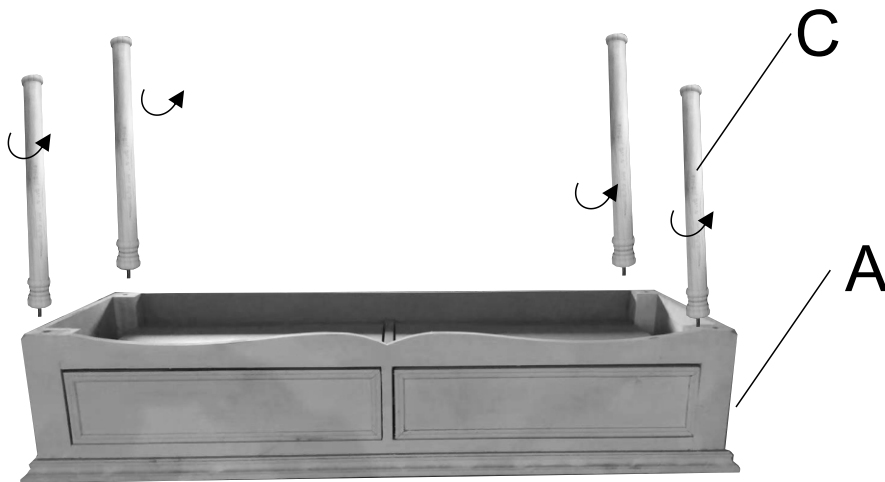
Tools required for assembly: Allen Wrench and Wrench provided (if using power tools, use with care)

Product Name:	White Wood 2-Drawer Storage Console Table
SKU #:	WHIF1599

Assembly Instructions:

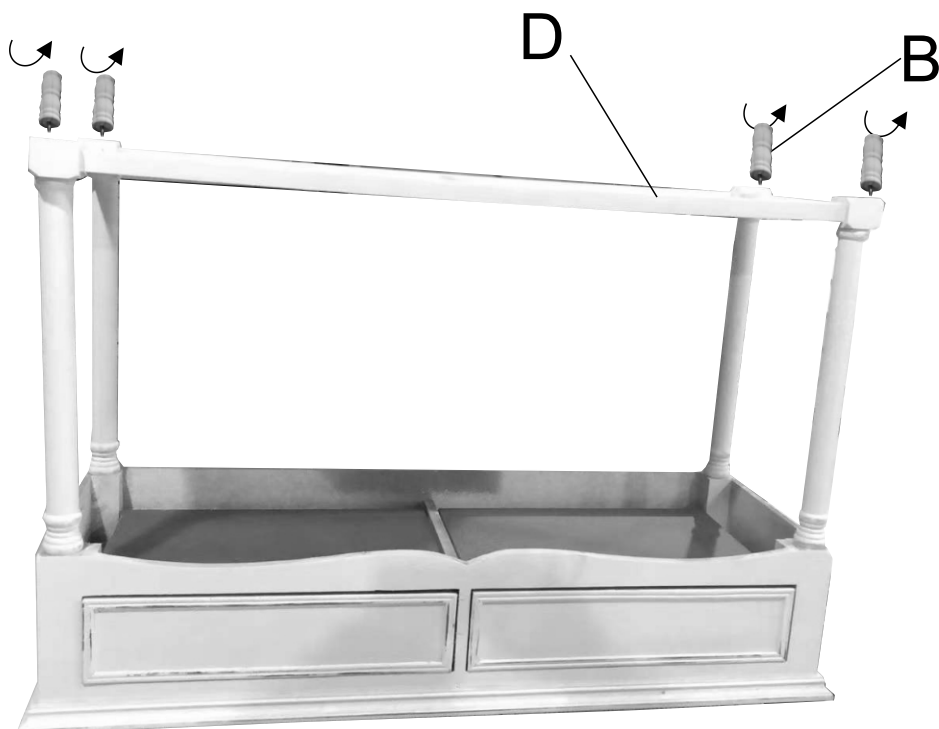
Step 1

Screw the legs(C) into the body of the table(A)

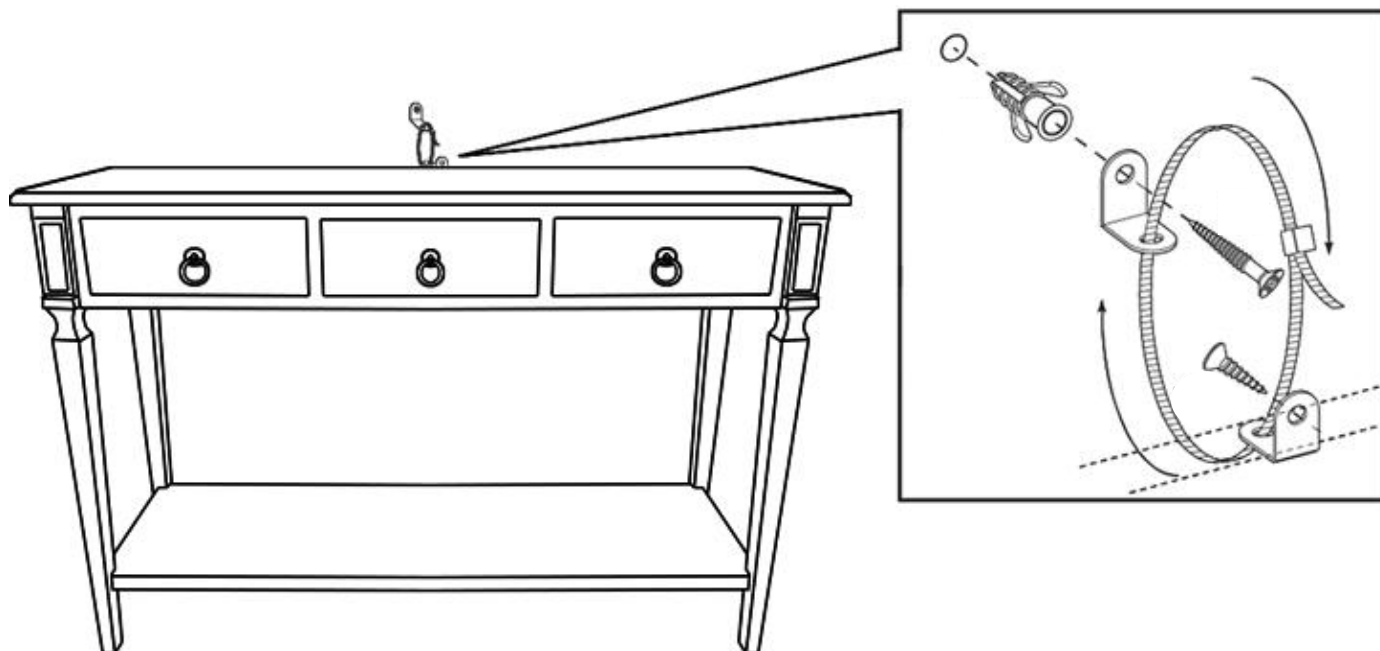


Step 2

Screw the legs(B) into the body of the table(D)



Product Name:	White Wood 2-Drawer Storage Console Table
SKU #:	WHIF1599



To clean use a damp or dry cloth to wipe body of the shelf.



Special Warnings and Cautions:

To avoid injury and/or damage, please do not sit or stand on the shelf as this may cause serious bodily injuries and/or product damage.