

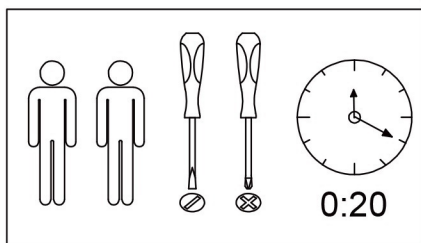
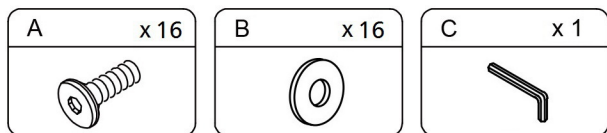
Product Name:	NATURAL BLACK SONOMA OAK ENGINEERED WOOD AND METAL COFFEE TABLE
SKU #:	WHIF1533

Thank you for purchasing this Luxen Home product. This product has been manufactured with the highest standards of safety and quality.

PLEASE READ ALL INSTRUCTIONS BEFORE ASSEMBLY.

Unpack all parts from Styrofoam and bubble wrap inside the carton to ensure there are no missing or damaged parts. If any parts are missing or damaged, do not attempt to assemble or use the product.

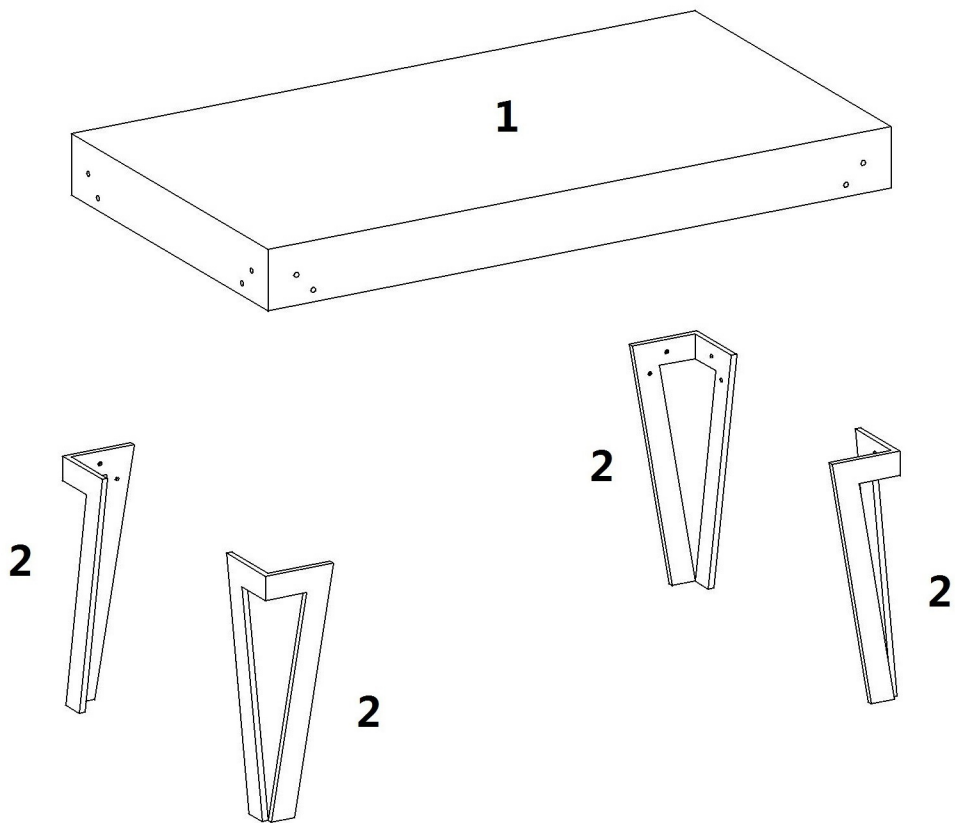
Hardware:



Tools required for assembly: Philips screwdriver and Flathead Screwdriver (if using power tools, use with care)

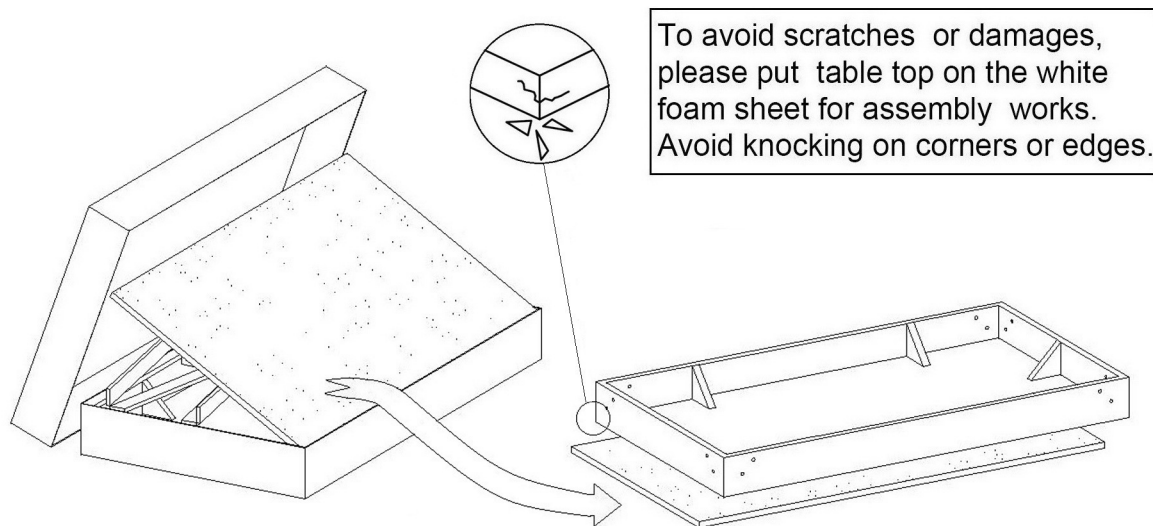
Product Name:	NATURAL BLACK SONOMA OAK ENGINEERED WOOD AND METAL COFFEE TABLE
SKU #:	WHIF1533

Panels

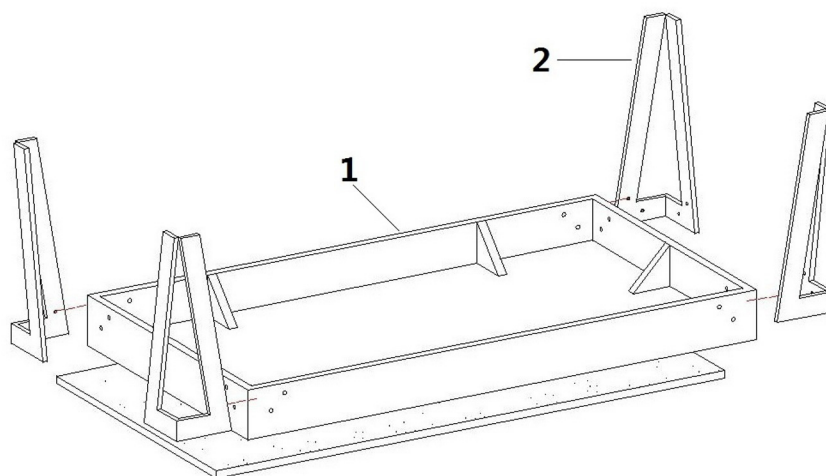


Product Name:	NATURAL BLACK SONOMA OAK ENGINEERED WOOD AND METAL COFFEE TABLE
SKU #:	WHIF1533

Step:1



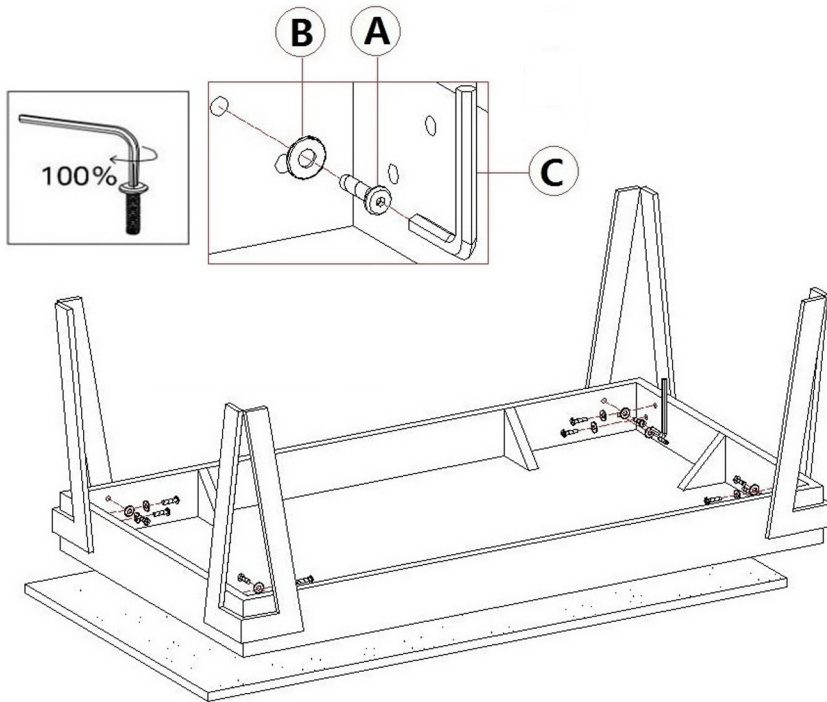
Step:2





Product Name:	NATURAL BLACK SONOMA OAK ENGINEERED WOOD AND METAL COFFEE TABLE
SKU #:	WHIF1533

Step:3

Please keep all screws loose and tighten TOGETHER after all parts are assembled to the correct positions.



A	x 16	B	x 16
			
C	x 1		
