

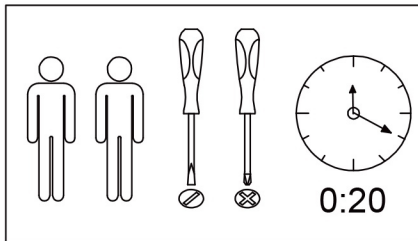
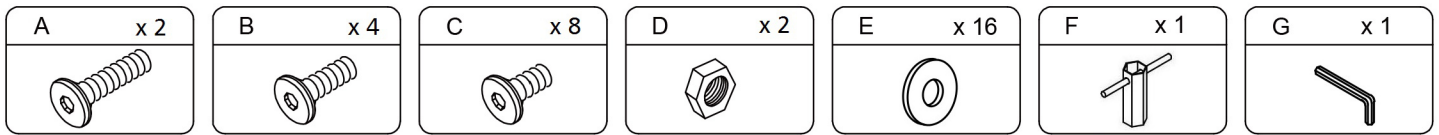
Product Name:	OAK ENGINEERED WOOD AND METAL SIDE TABLE
SKU #:	WHIF1530

Thank you for purchasing this Luxen Home product. This product has been manufactured with the highest standards of safety and quality.

PLEASE READ ALL INSTRUCTIONS BEFORE ASSEMBLY.

Unpack all parts from Styrofoam and bubble wrap inside the carton to ensure there are no missing or damaged parts. If any parts are missing or damaged, do not attempt to assemble or use the product.

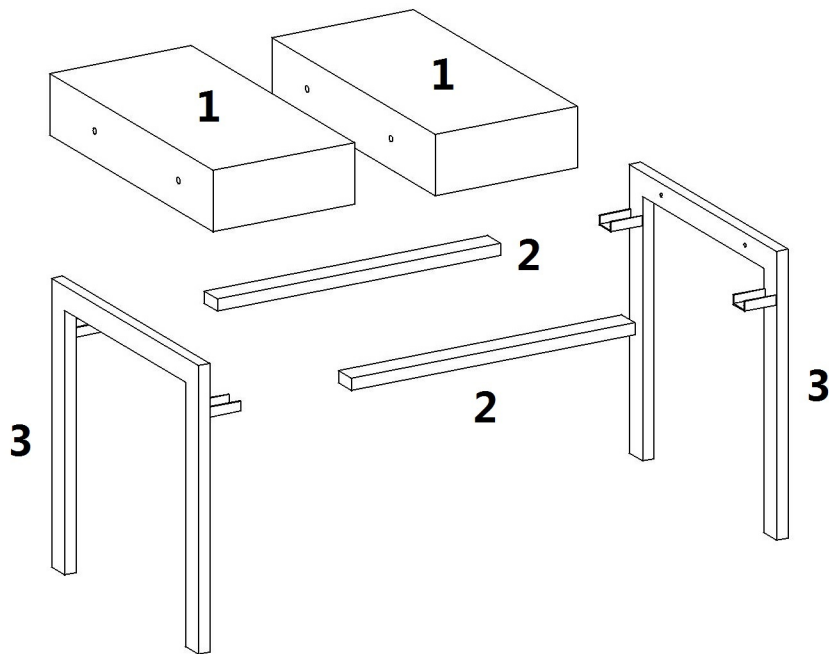
Hardware:



Tools required for assembly: Philips screwdriver and Flathead Screwdriver (if using power tools, use with care)

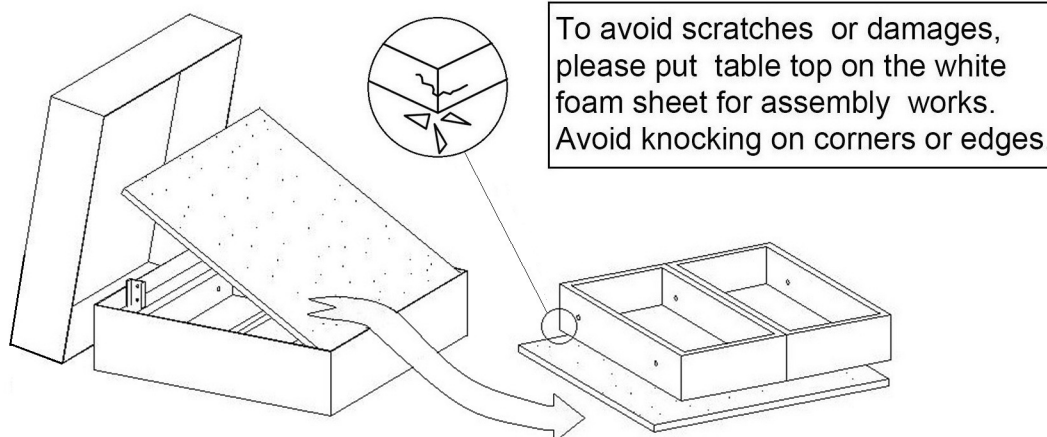
Product Name:	OAK ENGINEERED WOOD AND METAL SIDE TABLE
SKU #:	WHIF1530

Panels

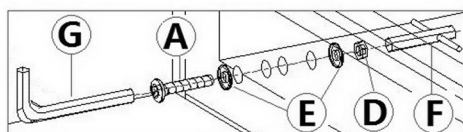


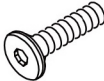




Product Name:	OAK ENGINEERED WOOD AND METAL SIDE TABLE
SKU #:	WHIF1530

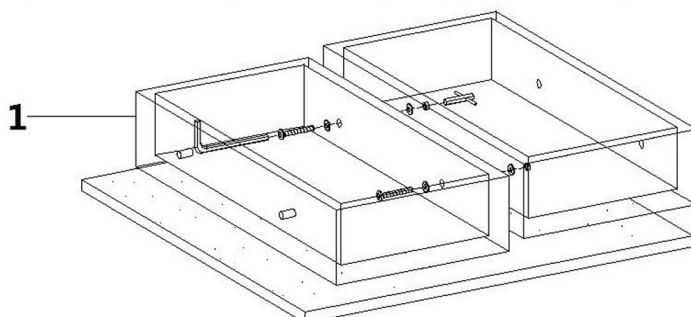
Step:1



Step:2

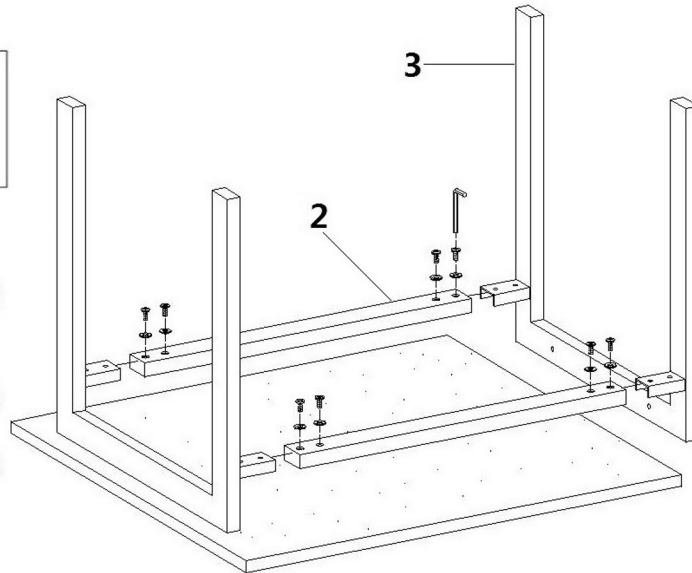
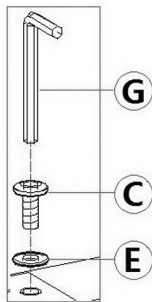




A	x 2	D	x 2	E	x 4
					
F	x 1	G	x 1		
					



Product Name:	OAK ENGINEERED WOOD AND METAL SIDE TABLE
SKU #:	WHIF1530

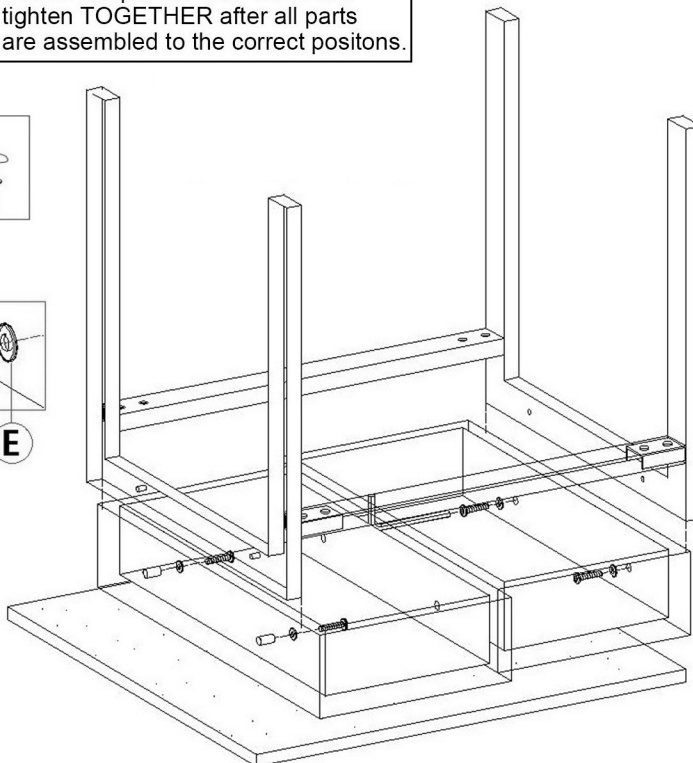
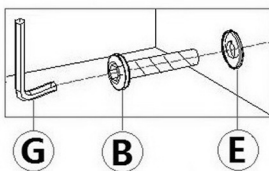
Step:3



C	x 8	E	x 8
			

Step:4

Please keep all screws loose and tighten TOGETHER after all parts are assembled to the correct positions.



B	x 4	E	x 4
