

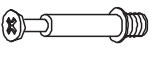


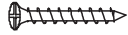
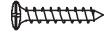





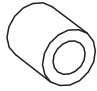





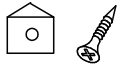
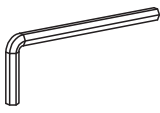
Product Name:	Black and Oak Engineered Wood Storage Wine Cabinet
SKU#:	WHIF1510

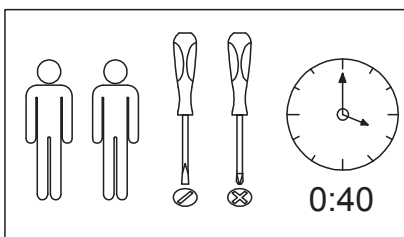
Thank you for purchasing this Luxen Home product. This product has been manufactured with the highest standards of safety and quality.

PLEASE READ ALL INSTRUCTIONS BEFORE ASSEMBLY.

Unpack all parts from Styrofoam and bubble wrap inside the carton to ensure there are no missing or damaged parts. If any parts are missing or damaged, do not attempt to assemble or use the product.

Hardware:

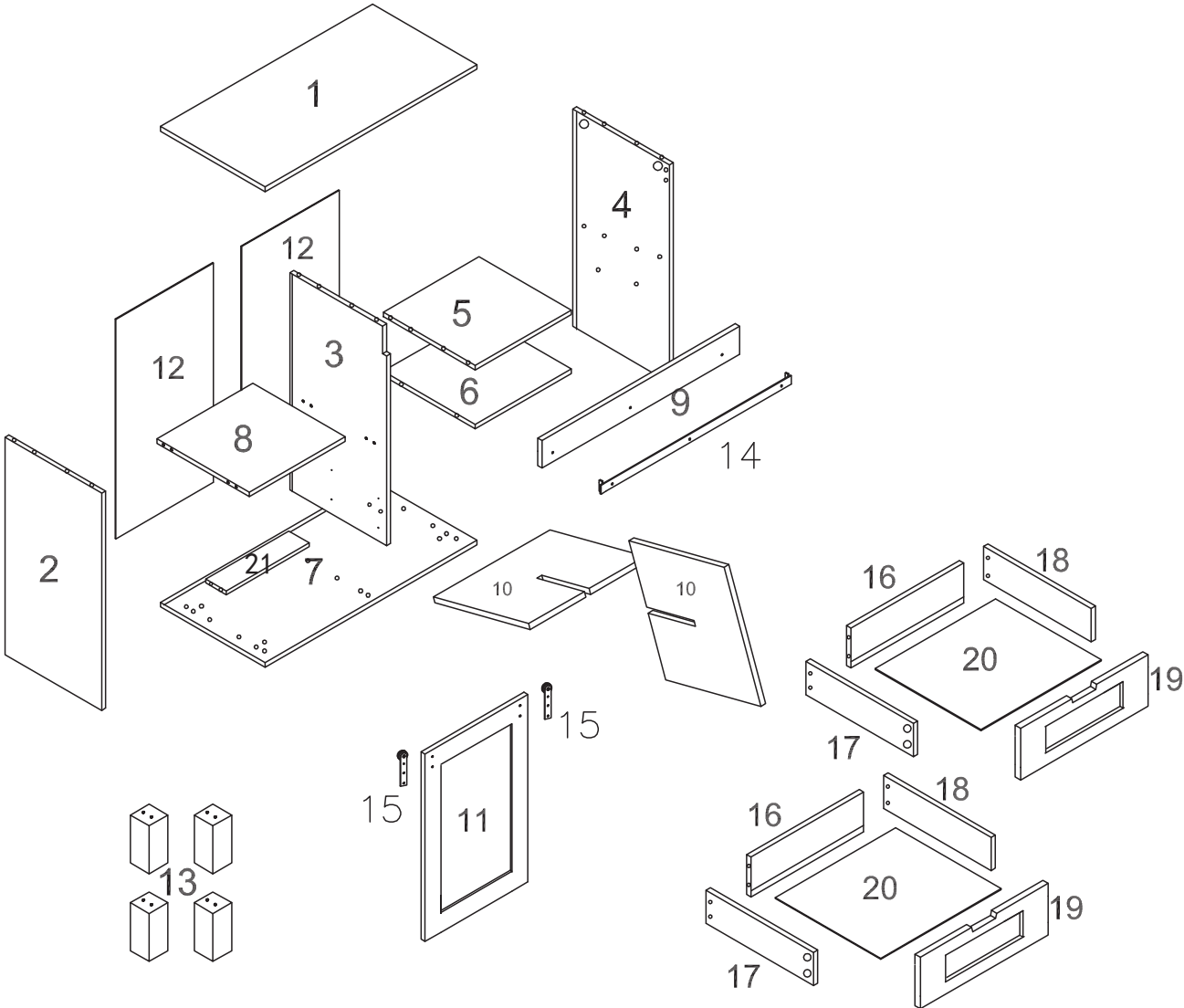
A  Qty: 23	B  Qty: 23	C  Qty: 6	D  4*40MM Qty: 6	E  4*30MM Qty: 16	F  4*14MM Qty: 4
G  4*25MM Qty: 2	H  6*30MM Qty: 32	I  Qty: 2	J  Qty: 2	K  Qty: 3	L  Qty: 3
M  Qty: 2	N  Qty: 1	O  Qty: 16	P  Qty: 2	Q  Qty: 4	



Tools required for assembly: Philips screwdriver and Flathead Screwdriver (if using power tools, use with care)

Product Name:	Black and Oak Engineered Wood Storage Wine Cabinet
SKU#:	WHIF1510

Panels

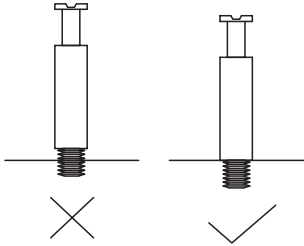


Please save this manual for future reference.

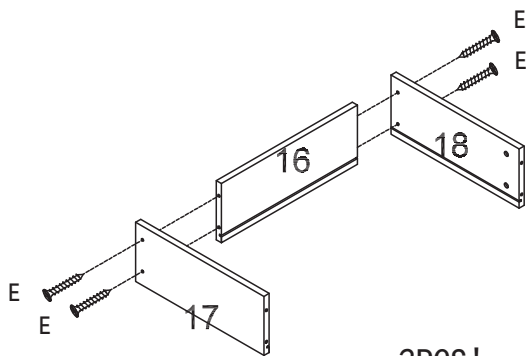
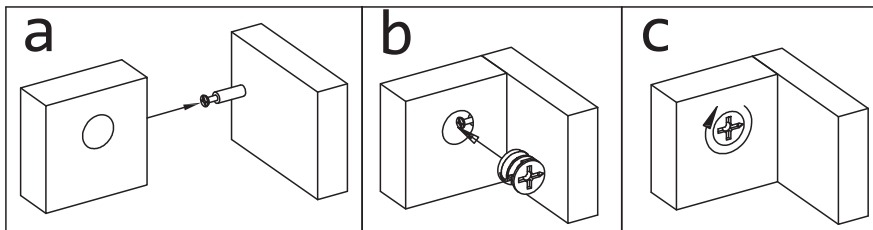
Product Name:	Black and Oak Engineered Wood Storage Wine Cabinet
SKU#:	WHIF1510

Step 1

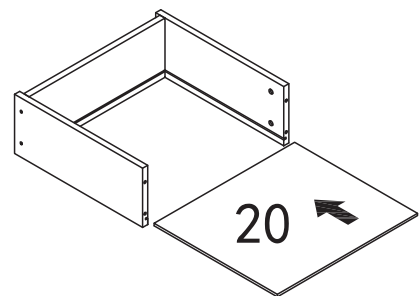
Make sure the pins are installed correctly as shown with the "check mark" below



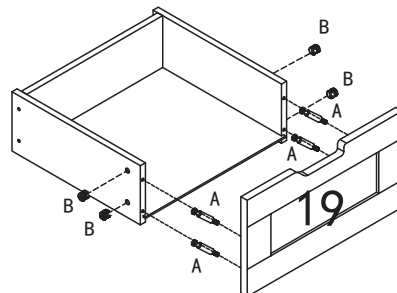
Below shows how the pins are used to assemble the panels together.



2PCS!



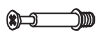

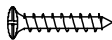


2PCS!

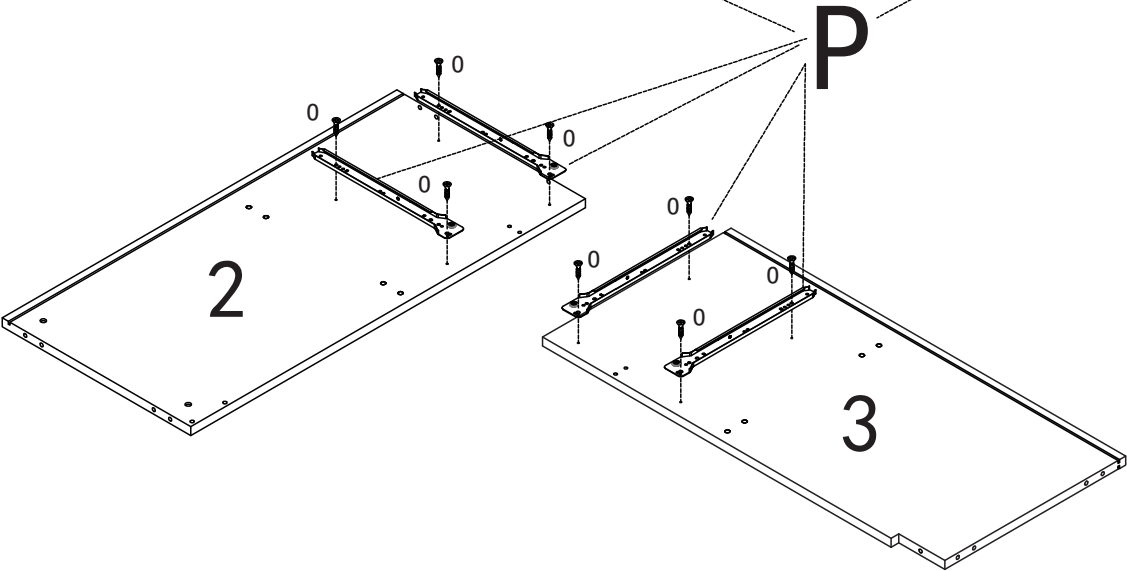
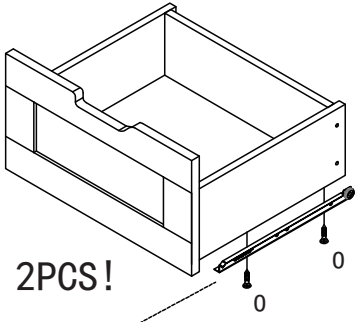
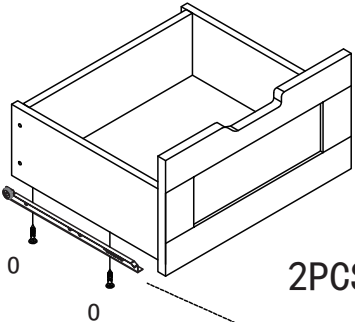


2PCS!

Please save this manual for future reference.

Product Name:	Black and Oak Engineered Wood Storage Wine Cabinet
SKU#:	WHIF1510




A x 8	B x 8	E x 8	P x 2	O x 16
				

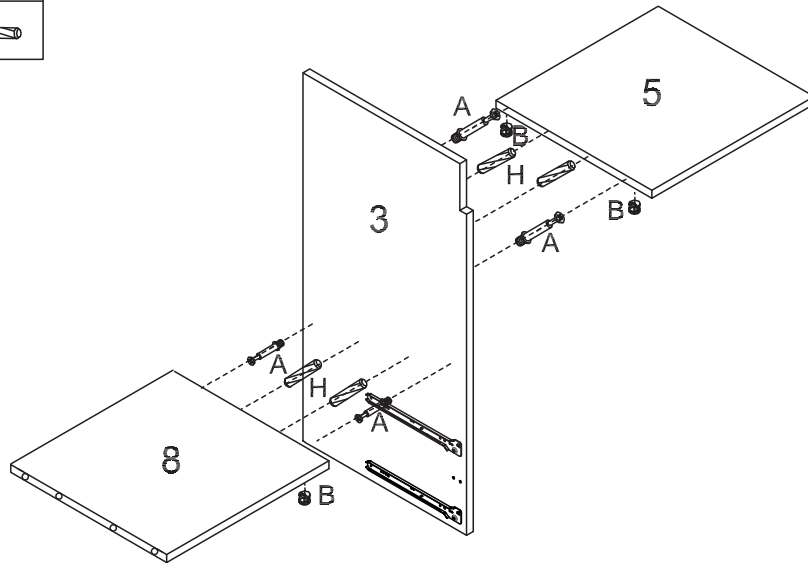


Please save this manual for future reference.

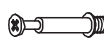

Product Name:	Black and Oak Engineered Wood Storage Wine Cabinet
SKU#:	WHIF1510

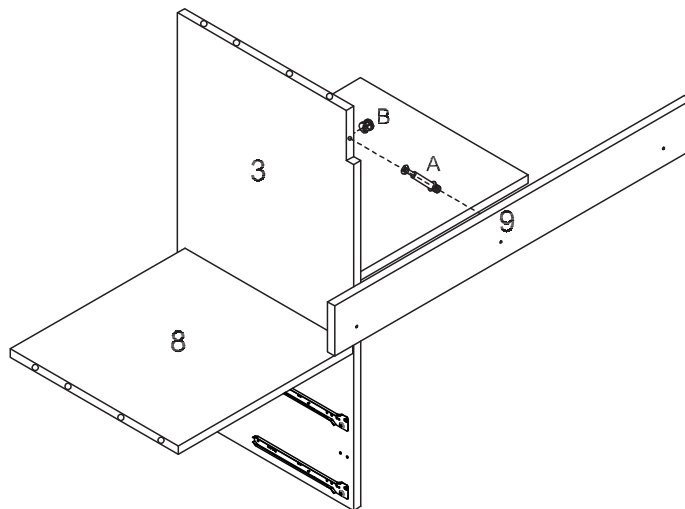
Step 2

A x 4	B x 4	H x 4
		






Step 3

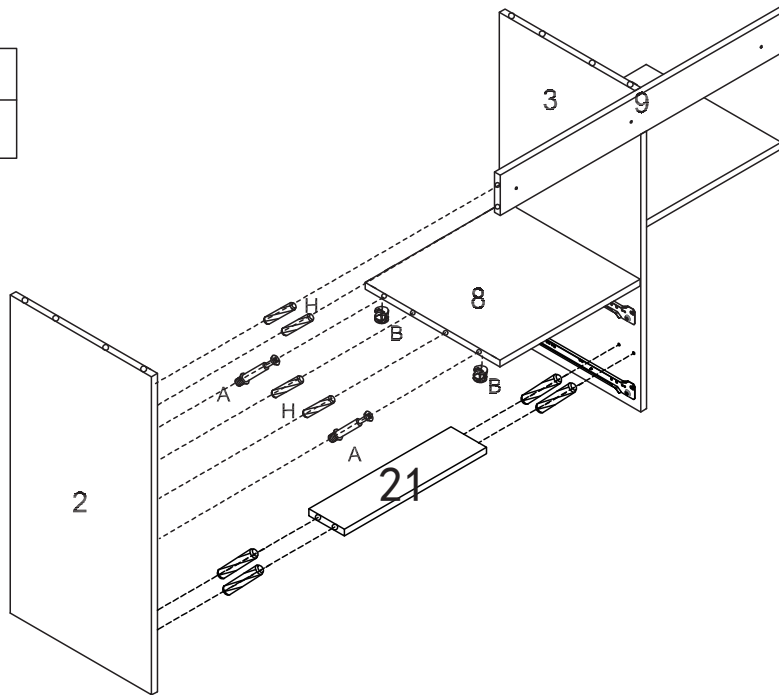
A x 1	B x 1
	






Product Name:	Black and Oak Engineered Wood Storage Wine Cabinet
SKU#:	WHIF1510

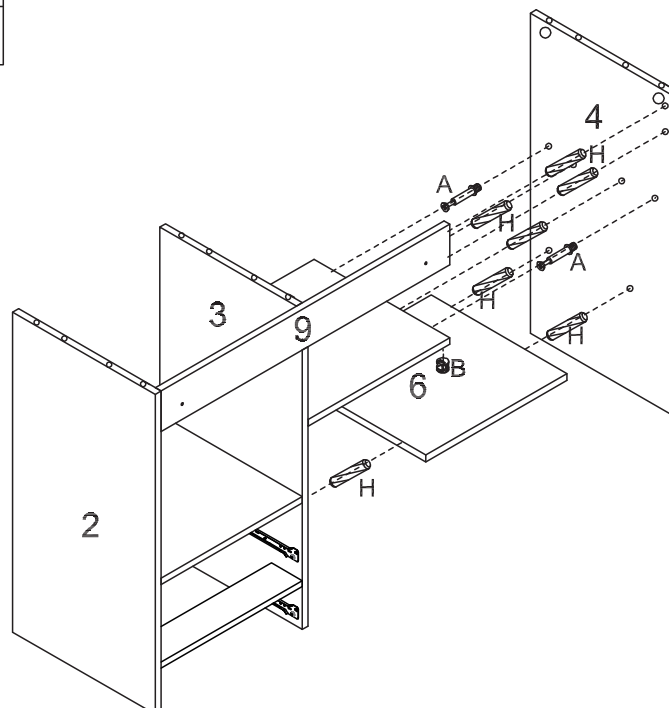
Step 4

A x 2	B x 2	H x 8
		



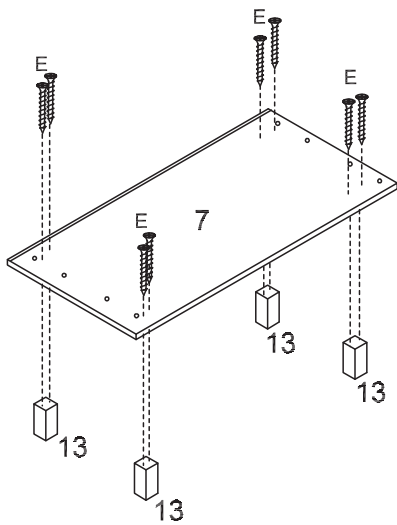
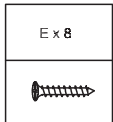
Step 5

A x 2	B x 2	H x 8
		

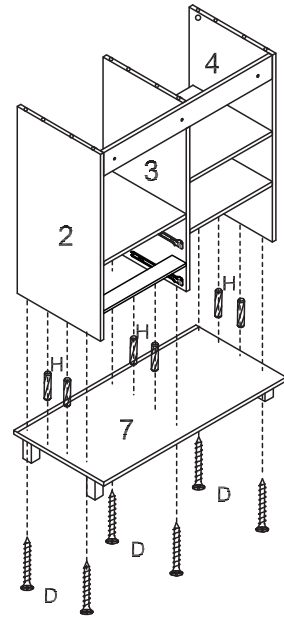
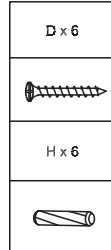


Product Name:	Black and Oak Engineered Wood Storage Wine Cabinet
SKU#:	WHIF1510

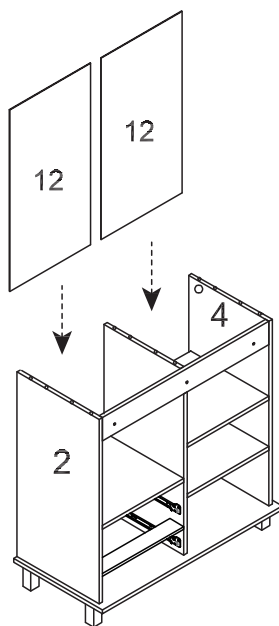
Step 6



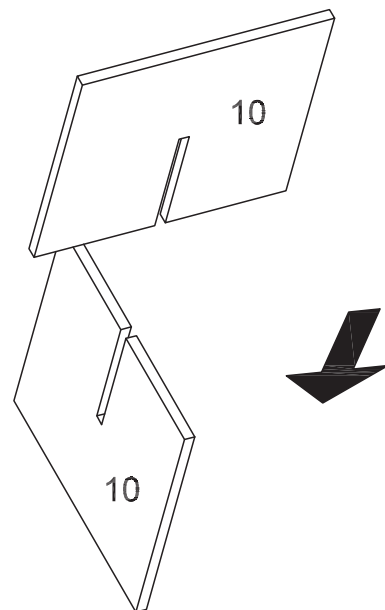
Step 7



Step 8

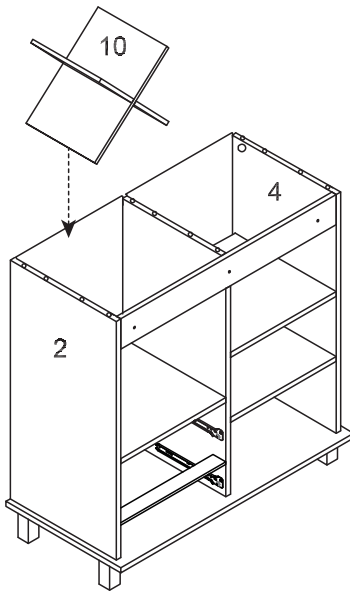


Step 9

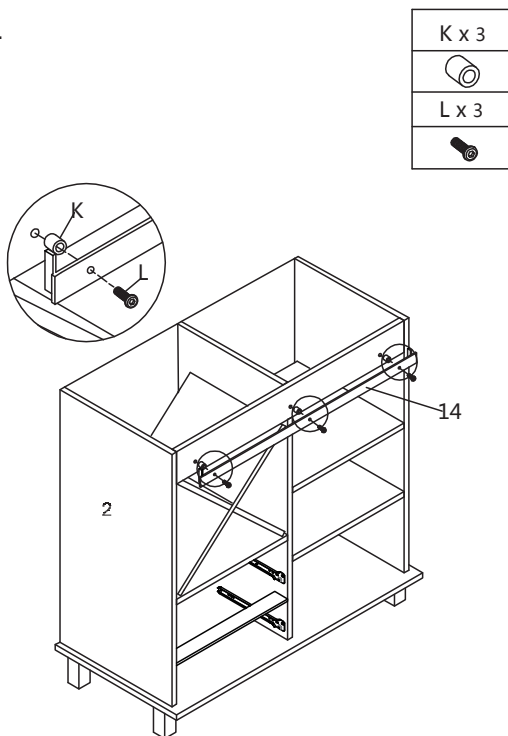


Product Name:	Black and Oak Engineered Wood Storage Wine Cabinet
SKU#:	WHIF1510






Step 10

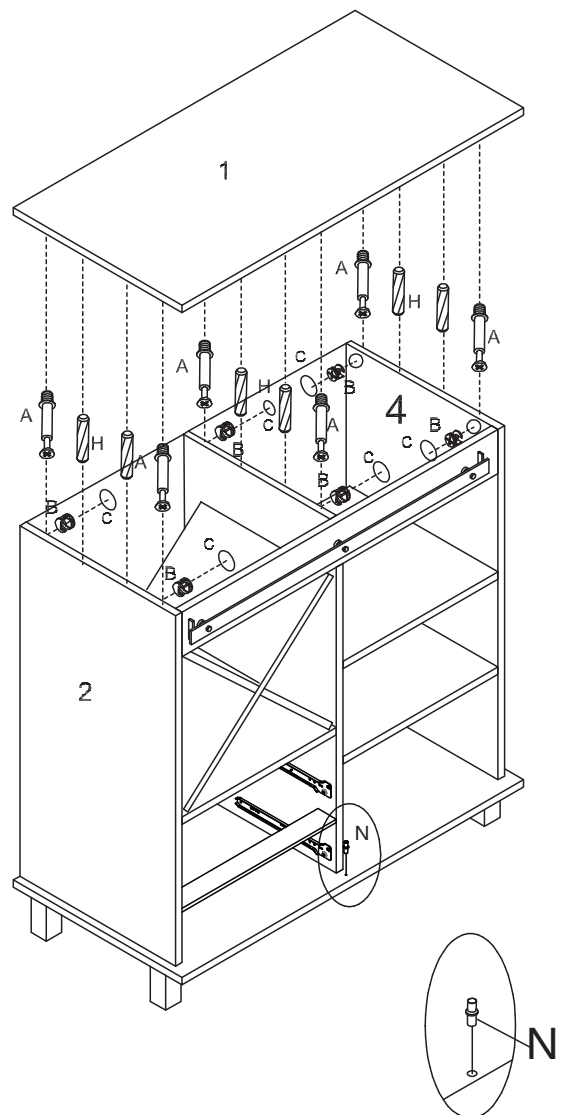


Step 11





Step 12

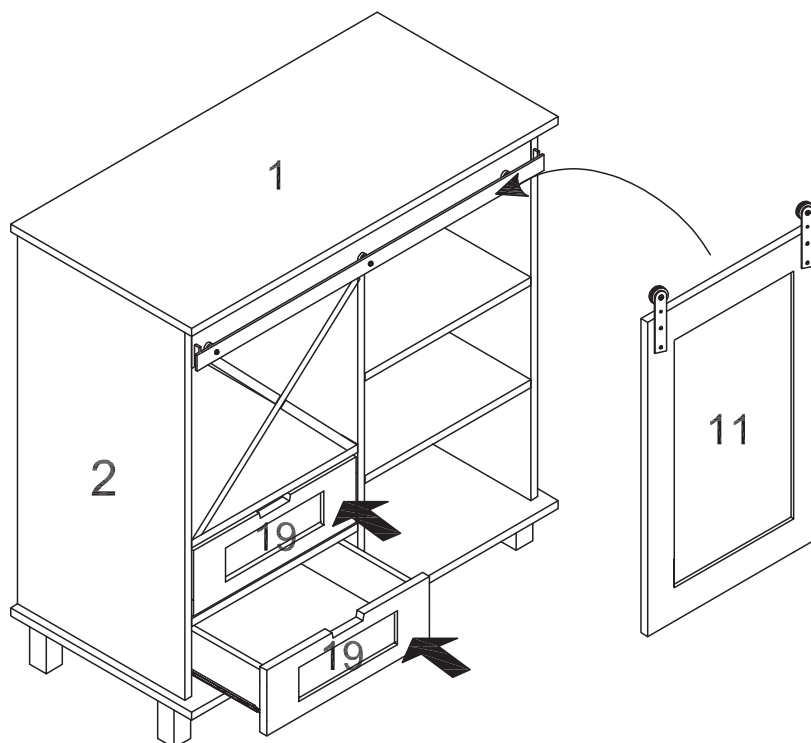
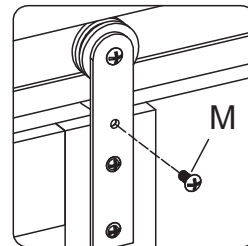
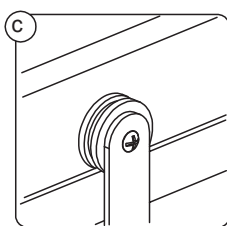
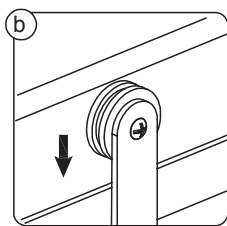
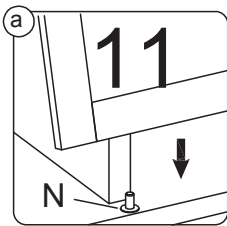
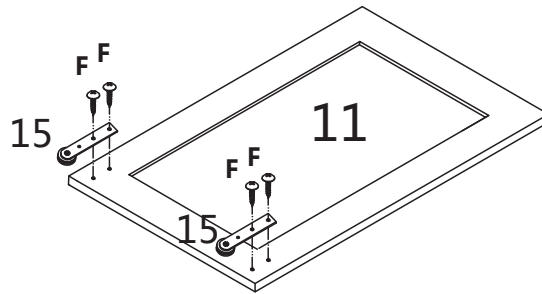
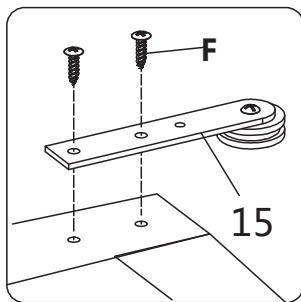
A x 6

B x 6

H x 6

C x 8

N x 1




Product Name:	Black and Oak Engineered Wood Storage Wine Cabinet
SKU#:	WHIF1510



Step 13

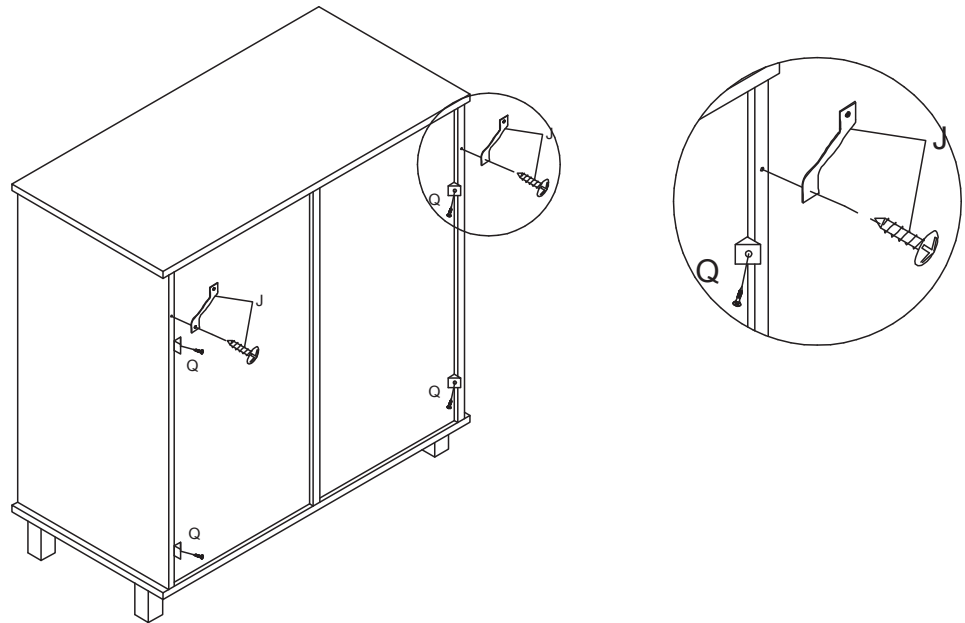
F x 4

M x 2




Product Name:	Black and Oak Engineered Wood Storage Wine Cabinet
SKU#:	WHIF1510

Step 14

J x 2

Q x 4




Step 15

G x 2	I x 2
