







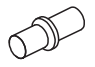





Product Name:	Farmhouse White Engineered Wood Storage Cabinet
SKU#:	WHIF1383

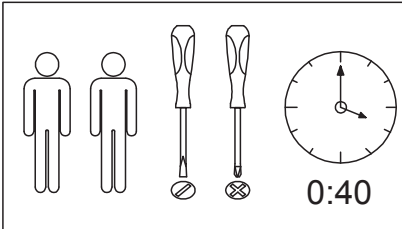
Thank you for purchasing this Luxen Home product. This product has been manufactured with the highest standards of safety and quality.

PLEASE READ ALL INSTRUCTIONS BEFORE ASSEMBLY.

Unpack all parts from Styrofoam and bubble wrap inside the carton to ensure there are no missing or damaged parts. If any parts are missing or damaged, do not attempt to assemble or use the product.

Hardware:

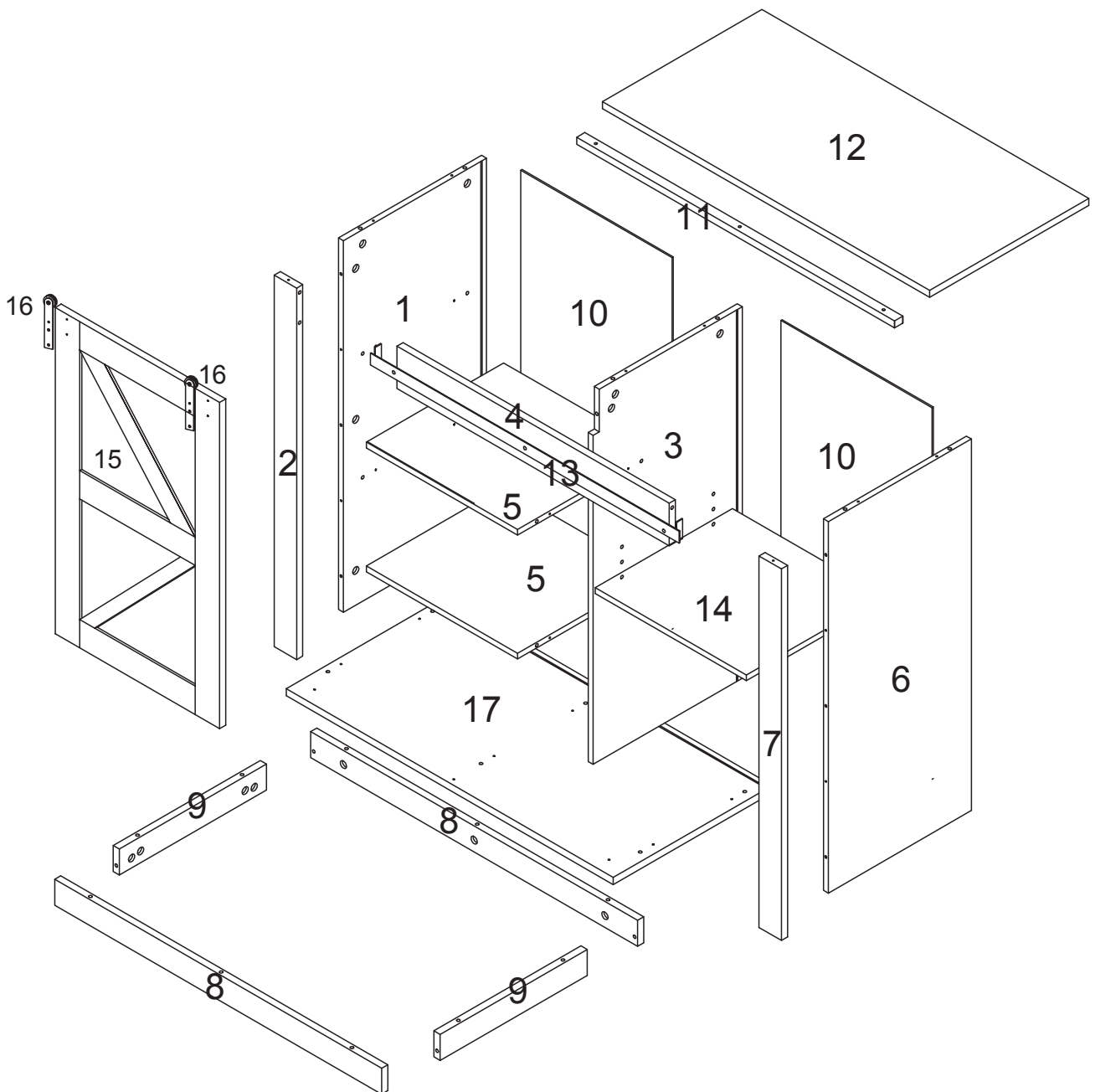
A x 35 	B x 32 	C x 6 	D x 3 	E x 4 	F x 1 	G x 5 
H x 3 	I x 4 	J x 2 	K x 1 			



Tools required for assembly: Philips screwdriver and Flathead Screwdriver (if using power tools, use with care)

Product Name:	Farmhouse White Engineered Wood Storage Cabinet
SKU#:	WHIF1383

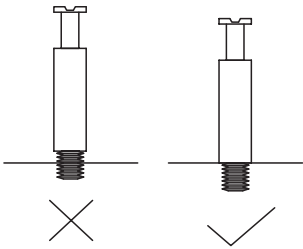
Panels



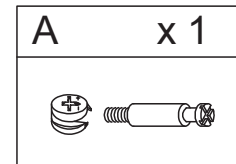
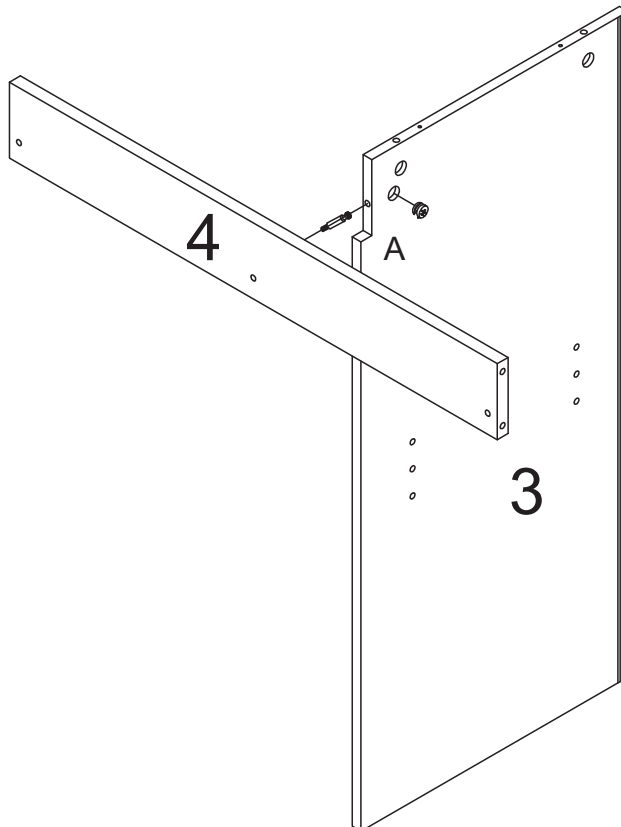
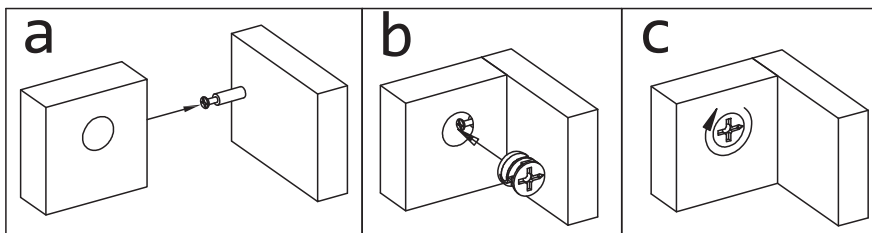
Product Name:	Farmhouse White Engineered Wood Storage Cabinet
SKU#:	WHIF1383

Step 1

Make sure the pins are installed correctly as shown with the "check mark" below

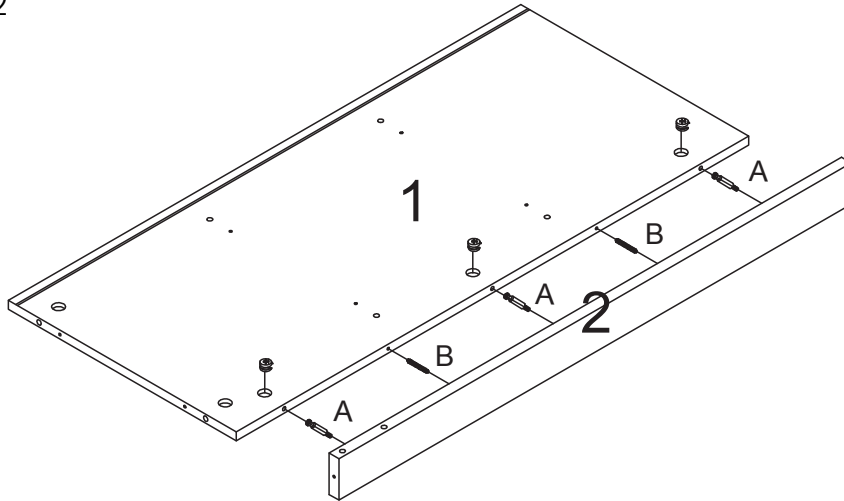


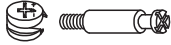

Below shows how the pins are used to assemble the panels together.

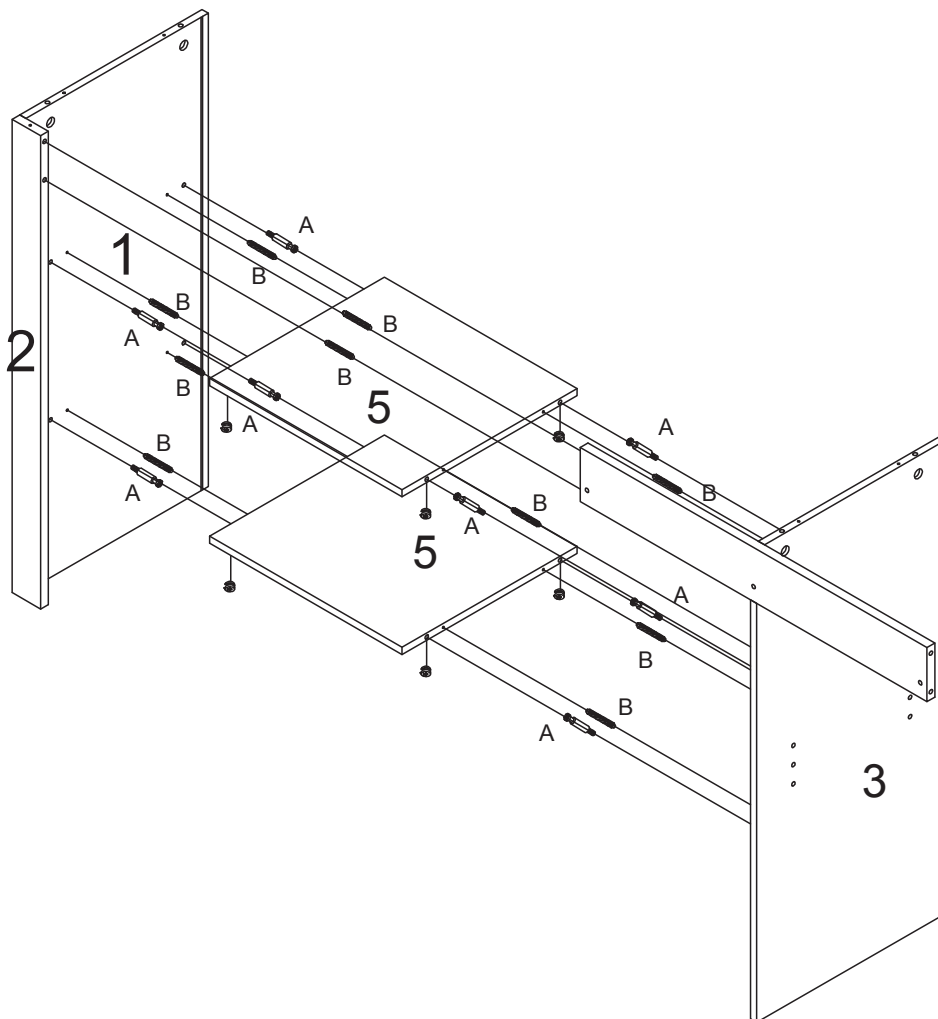


Product Name:	Farmhouse White Engineered Wood Storage Cabinet
SKU#:	WHIF1383

Step 2

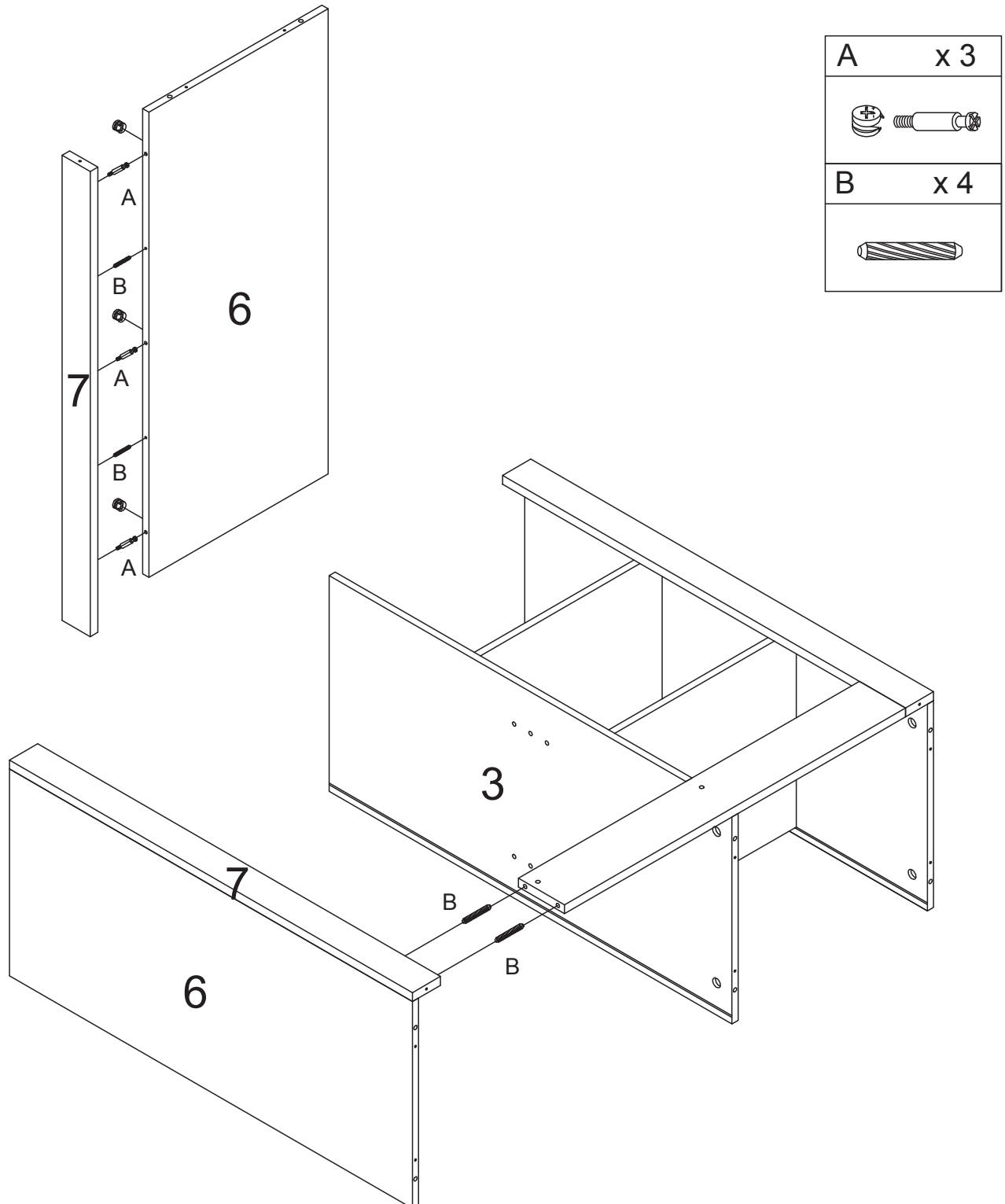


A	x 11
	
B	x 12
	



Product Name:	Farmhouse White Engineered Wood Storage Cabinet
SKU#:	WHIF1383



Step 3

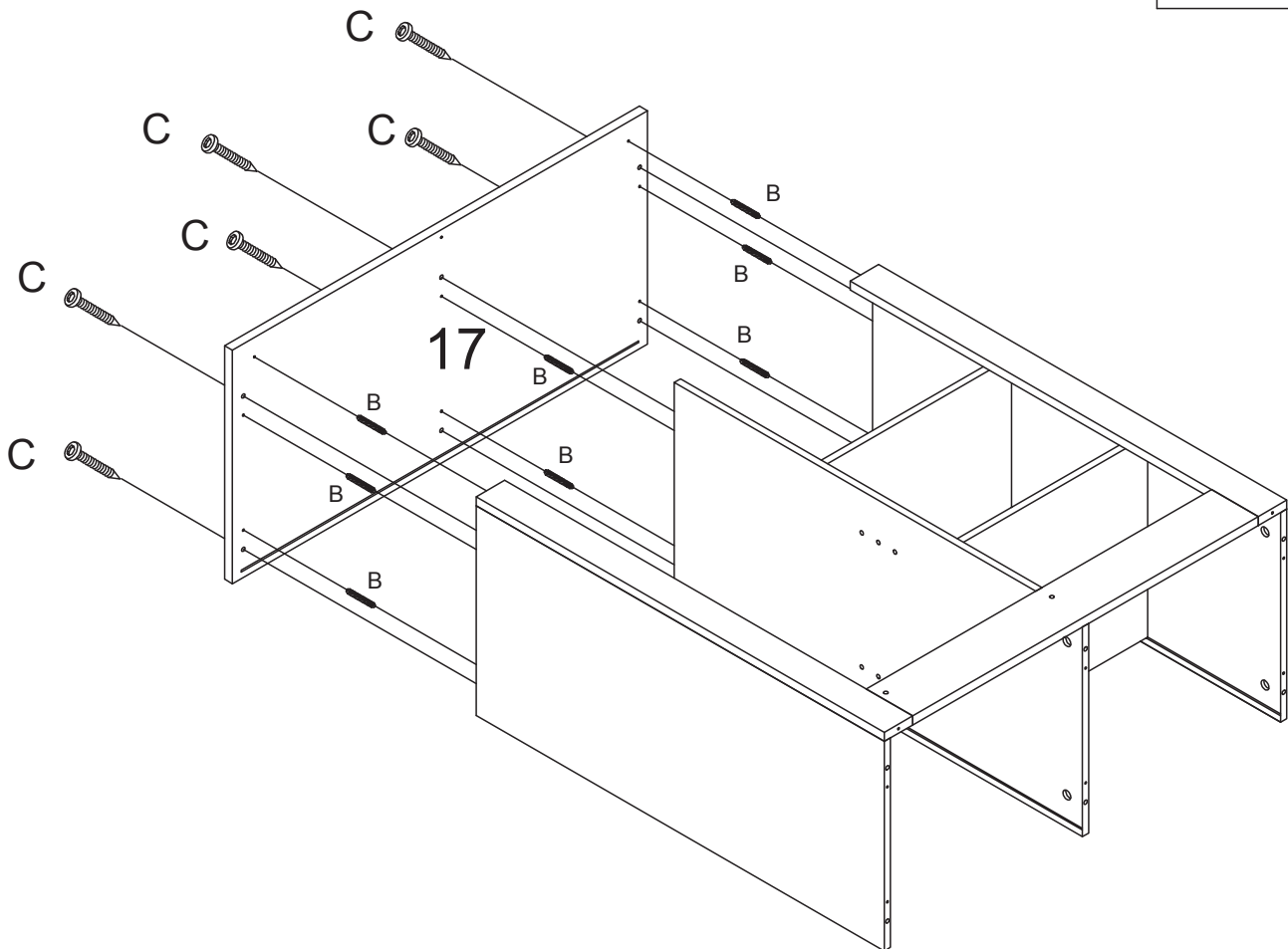


Please save this manual for future reference.

Product Name:	Farmhouse White Engineered Wood Storage Cabinet
SKU#:	WHIF1383

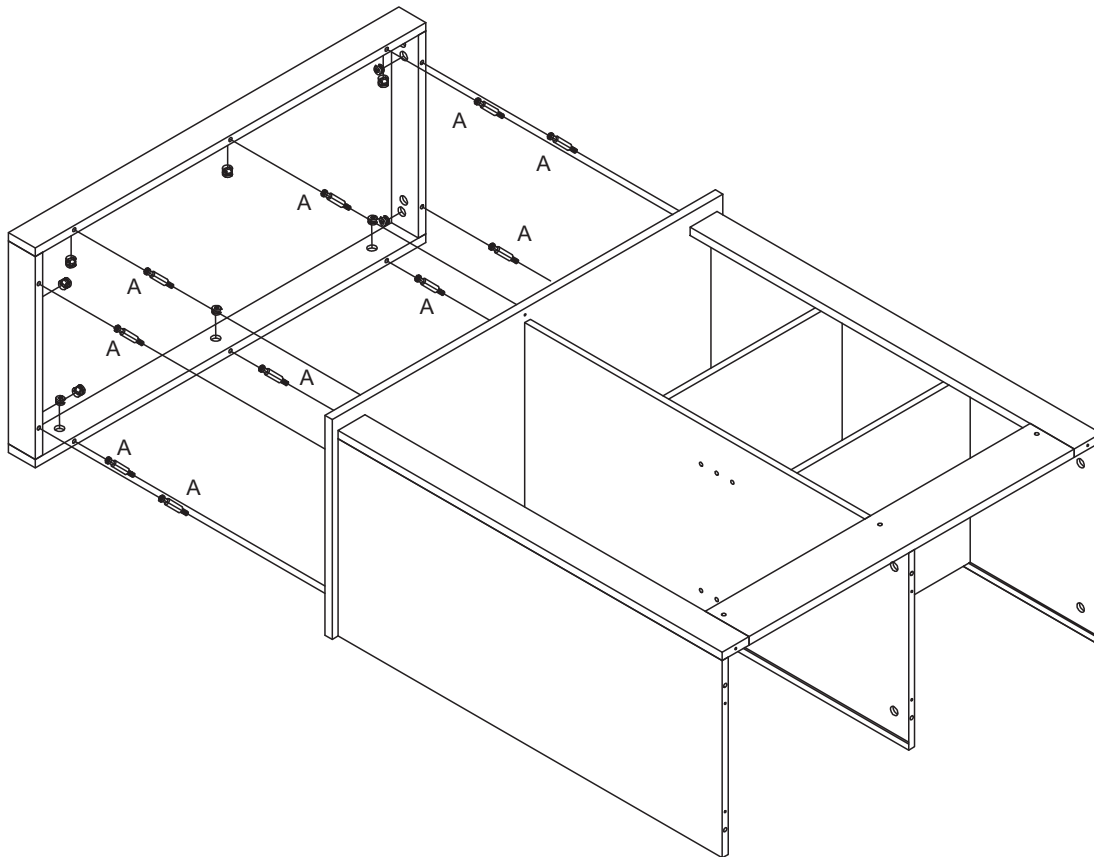
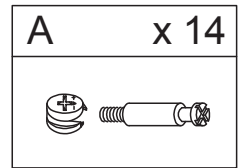
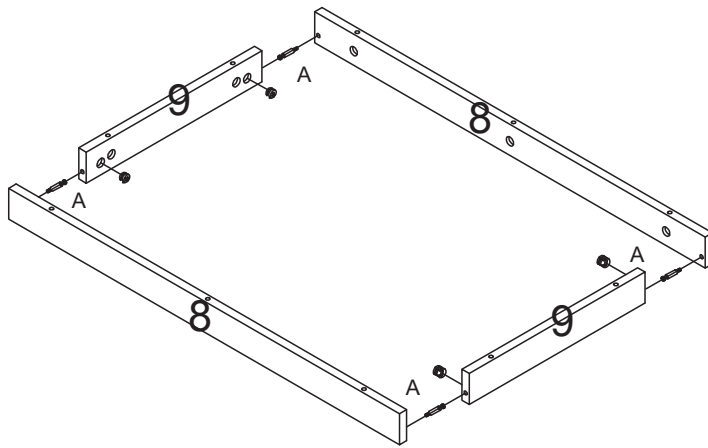
Step 4

C	x 6
	
B	x 8
	



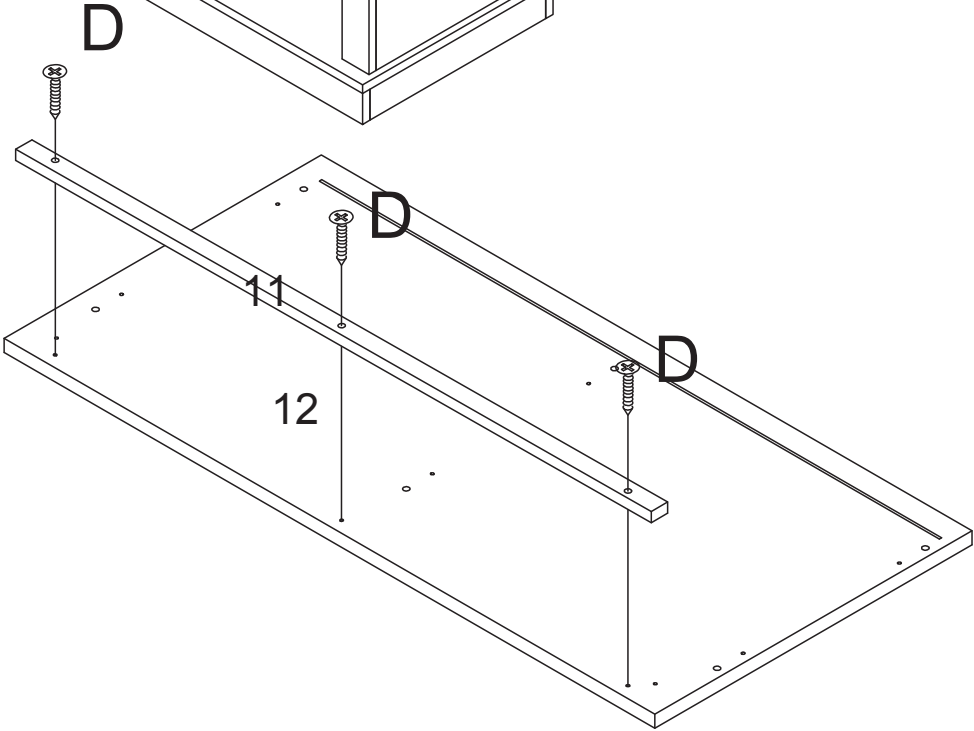
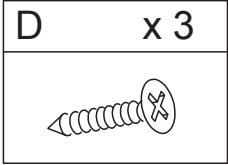
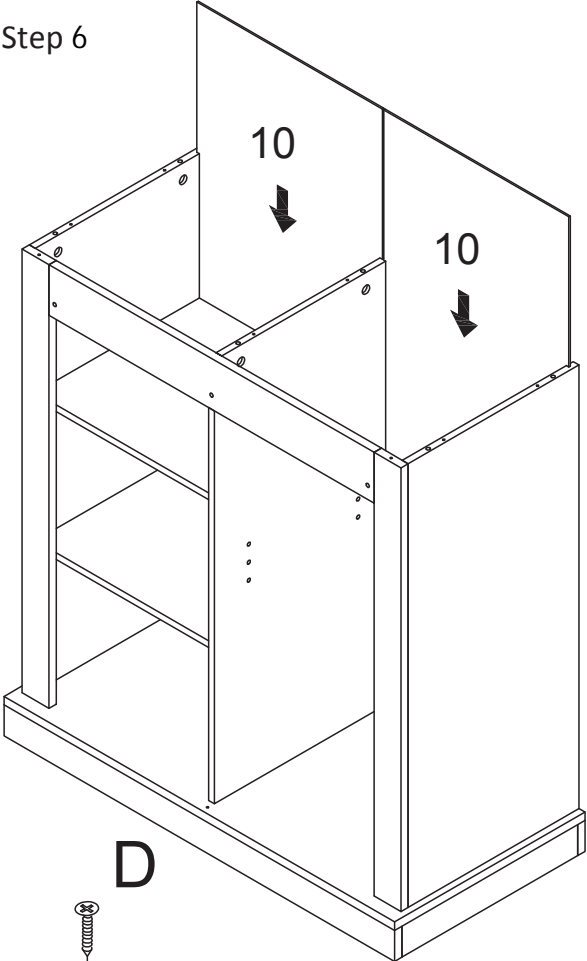
Product Name:	Farmhouse White Engineered Wood Storage Cabinet
SKU#:	WHIF1383

Step 5



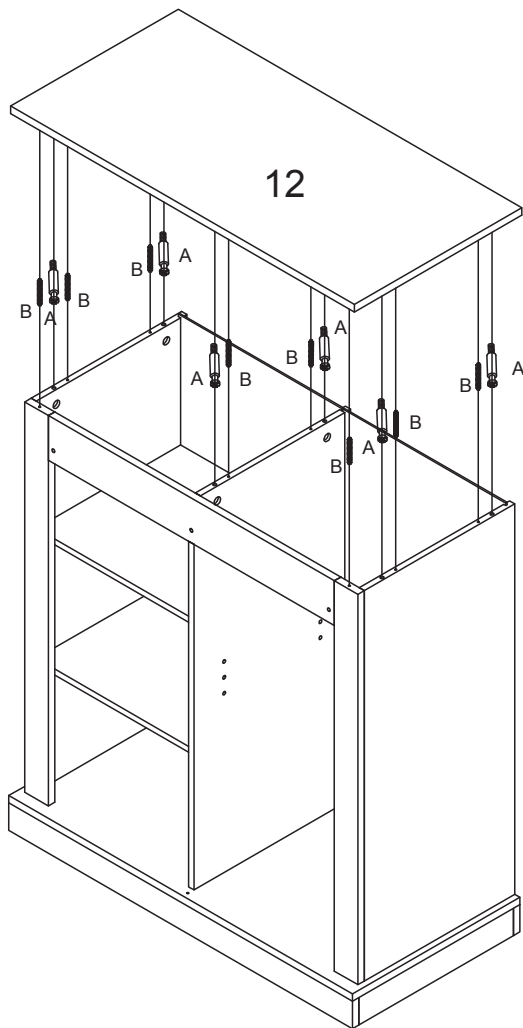
Product Name:	Farmhouse White Engineered Wood Storage Cabinet
SKU#:	WHIF1383

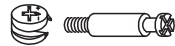





Step 6

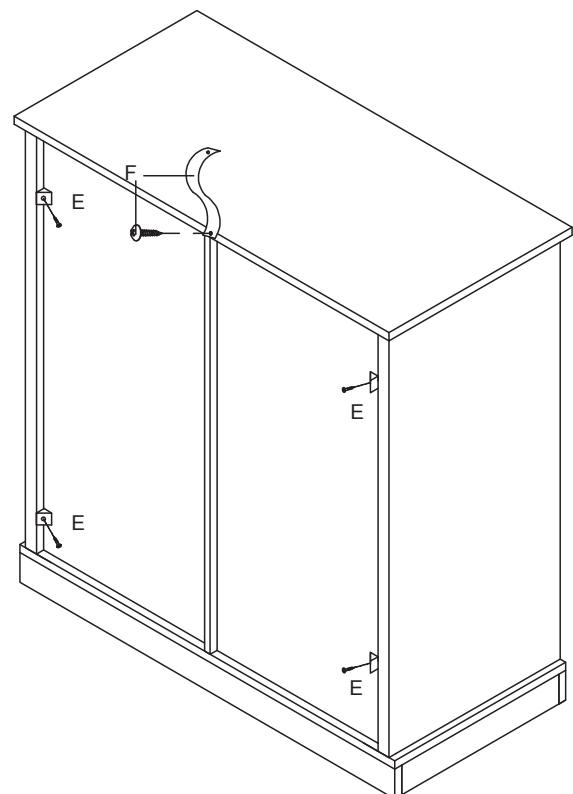


Product Name:	Farmhouse White Engineered Wood Storage Cabinet
SKU#:	WHIF1383

Step 7

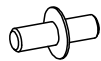
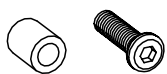


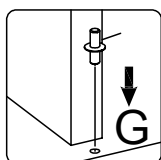
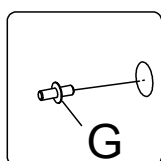
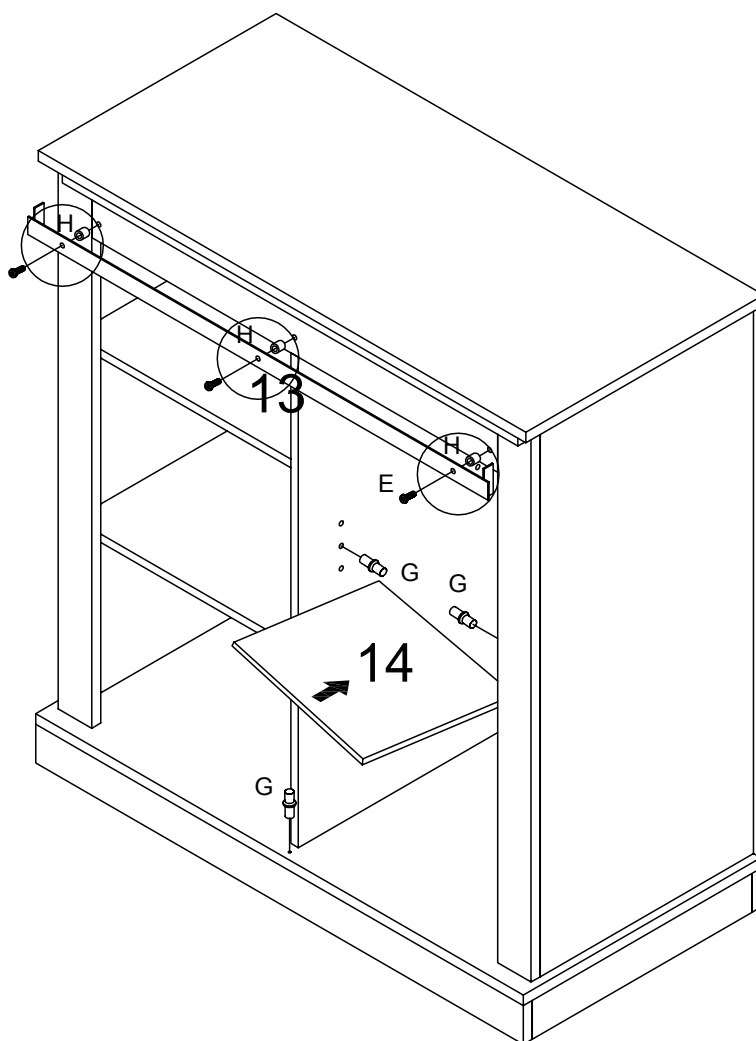
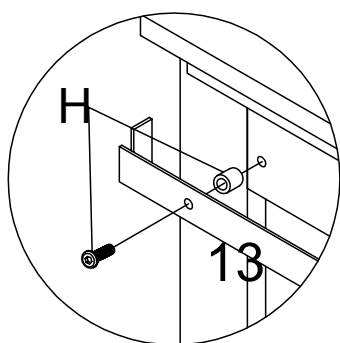
A	x 6	B	x 8
			
E	x 4	F	x 1
			



Product Name:	Farmhouse White Engineered Wood Storage Cabinet
SKU#:	WHIF1383

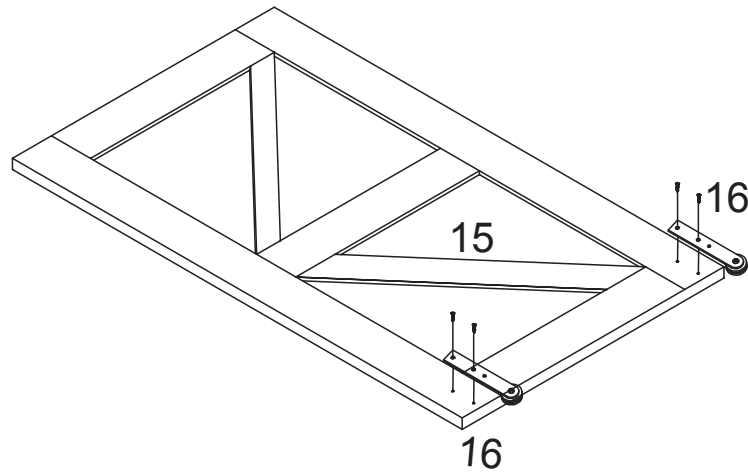
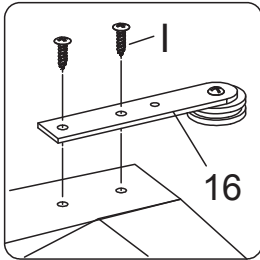
Step 8



G	x 5	H	x 3
			

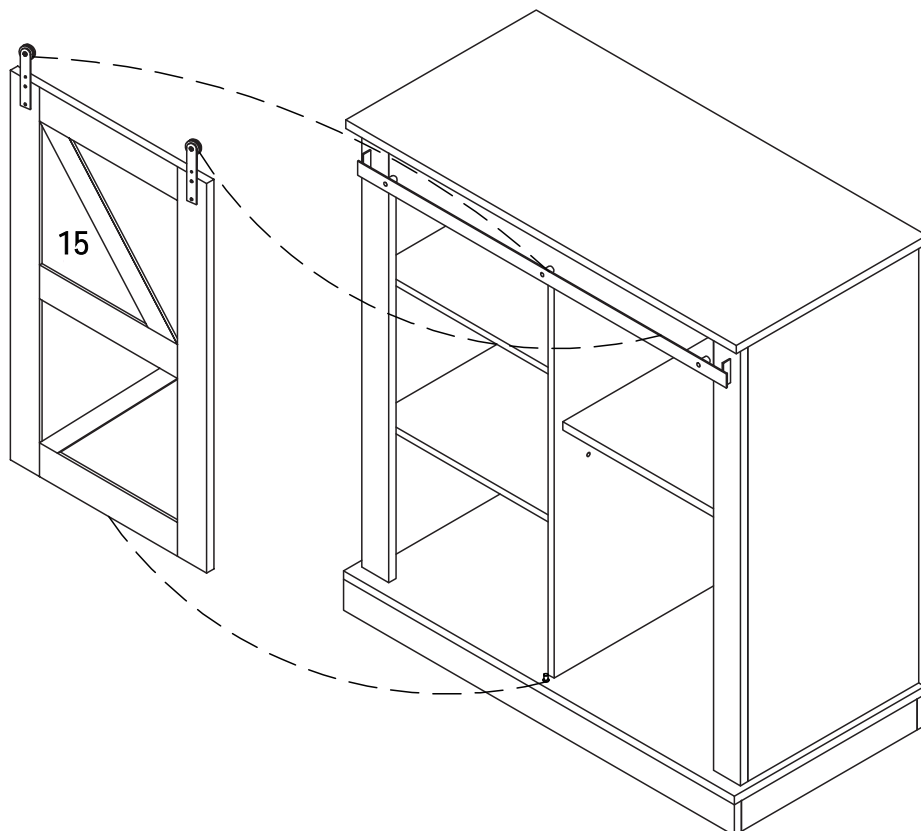
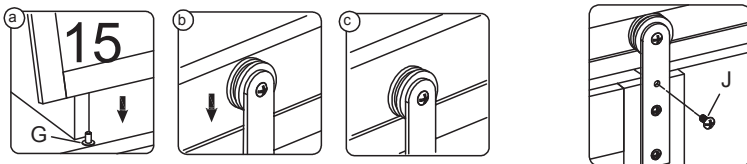


Product Name:	Farmhouse White Engineered Wood Storage Cabinet
SKU#:	WHIF1383

Step 9



I	x 4
	
J	x 2
	



Product Name:	Farmhouse White Engineered Wood Storage Cabinet
SKU#:	WHIF1383

Step 10

