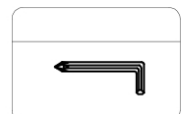
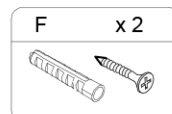
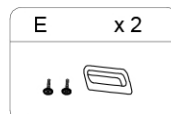
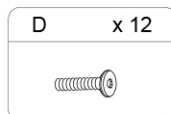
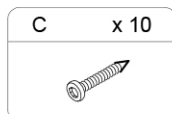
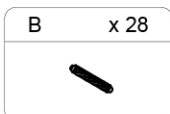
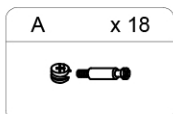
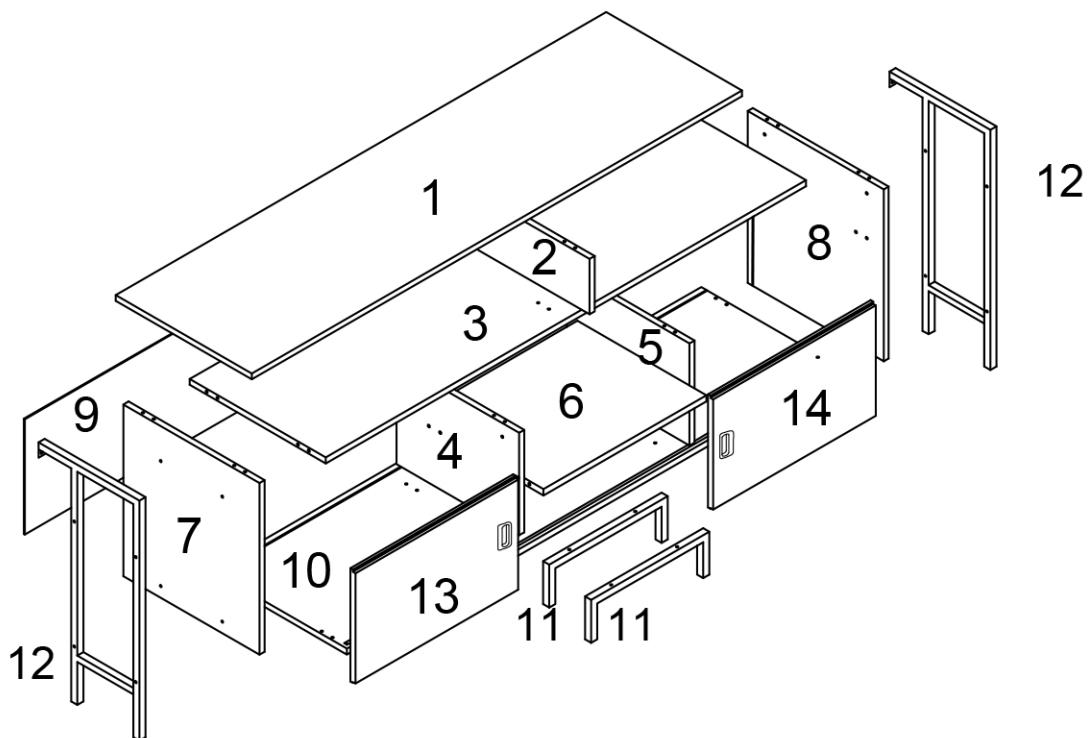


LuxenHöme

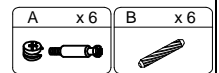
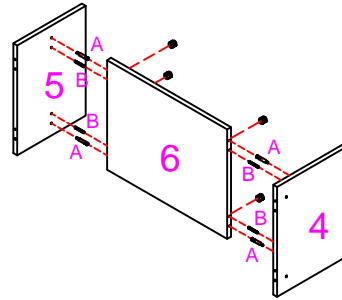
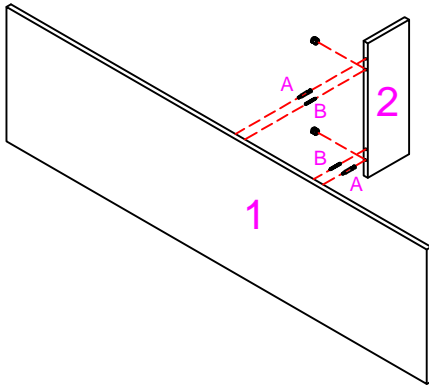
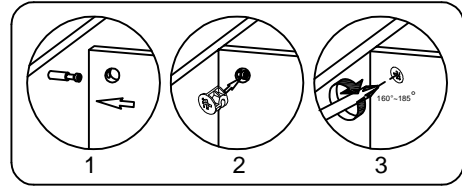
Instruction Manual

Please save this manual for future reference.

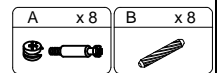
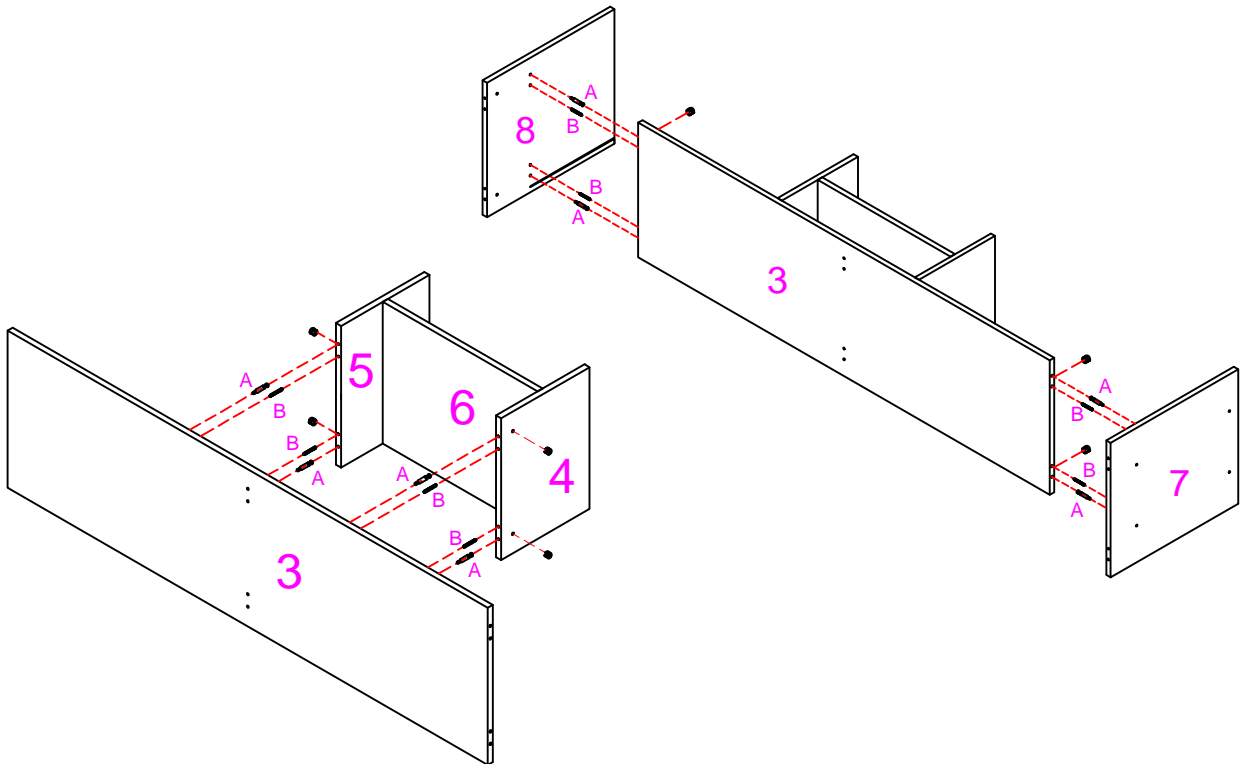
Product Name:	Tv Stand
SKU #:	WHIF1353
Email:	cs@winsomehouse.com



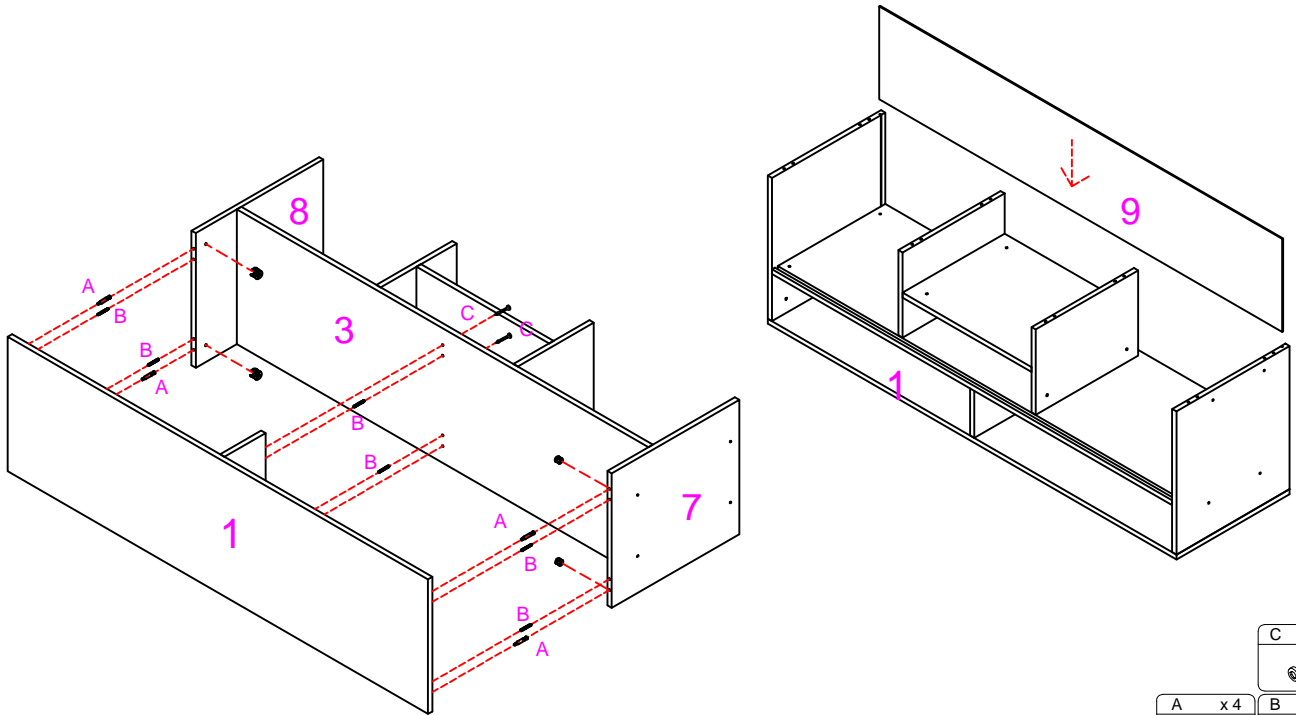
Step 1



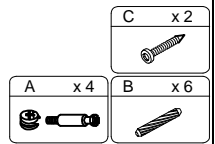
Step 2



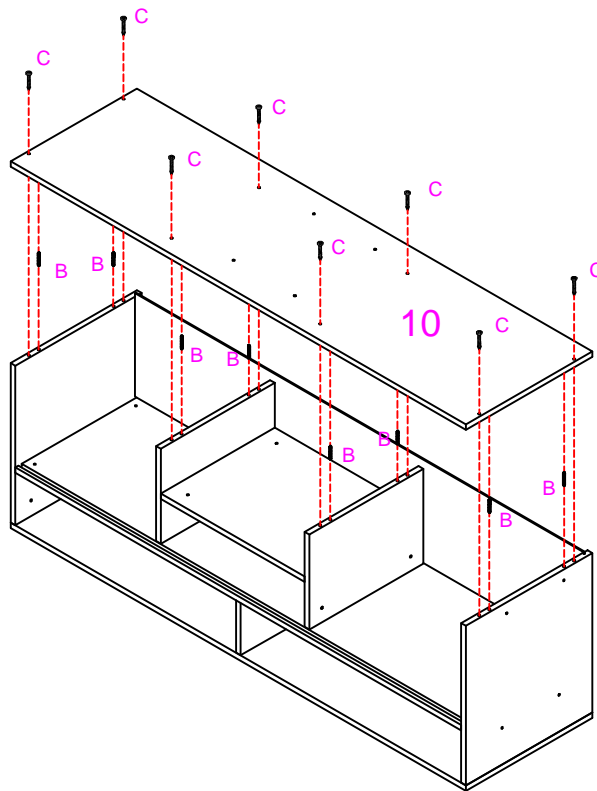
Step 3



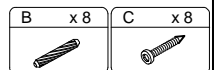
C	x 2
A	x 4
B	x 6



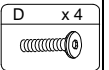
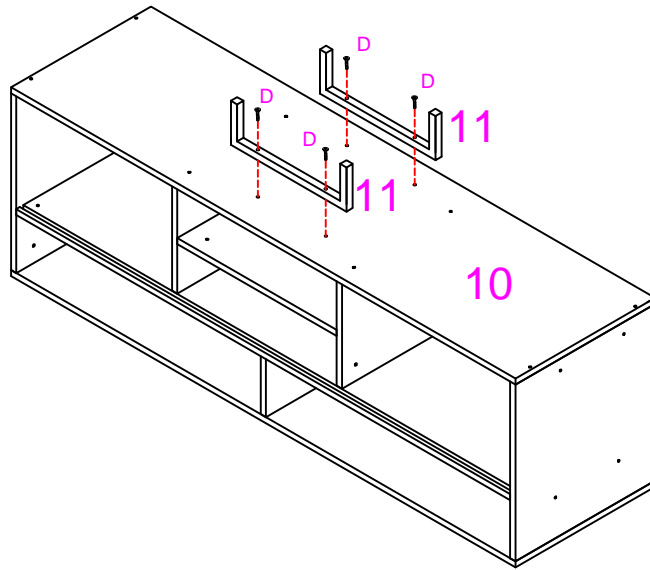
Step 4



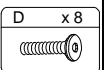
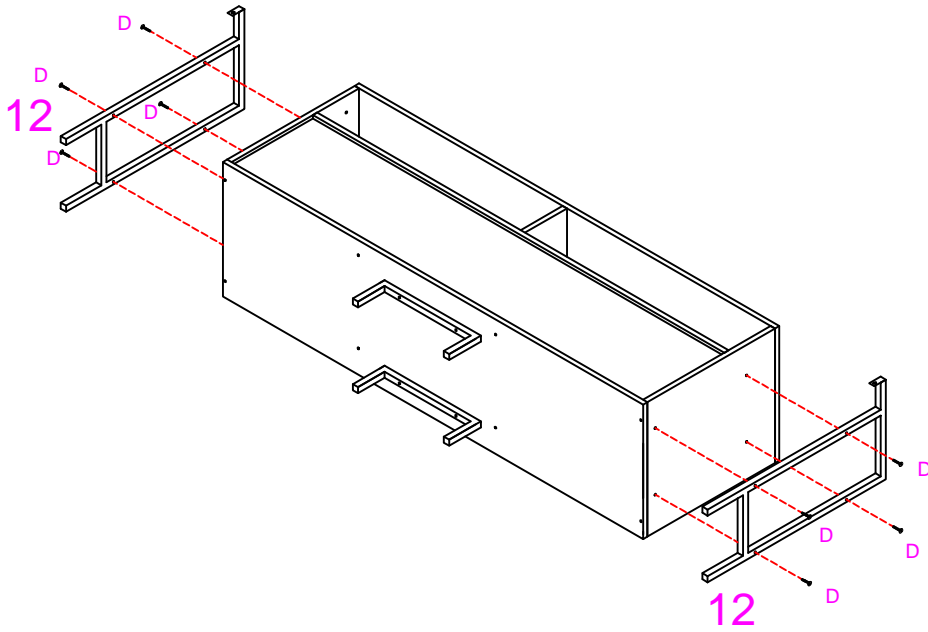
B	x 8
C	x 8



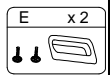
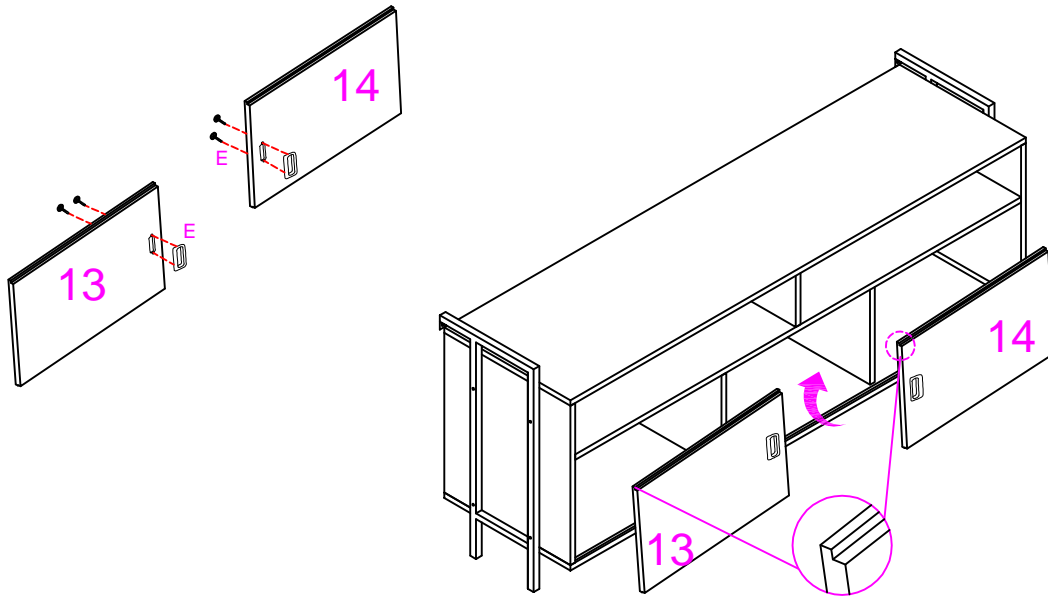
Step 5



Step 6



Step 7



Step 8

