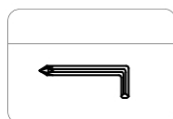
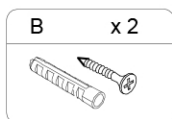
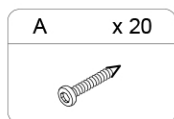
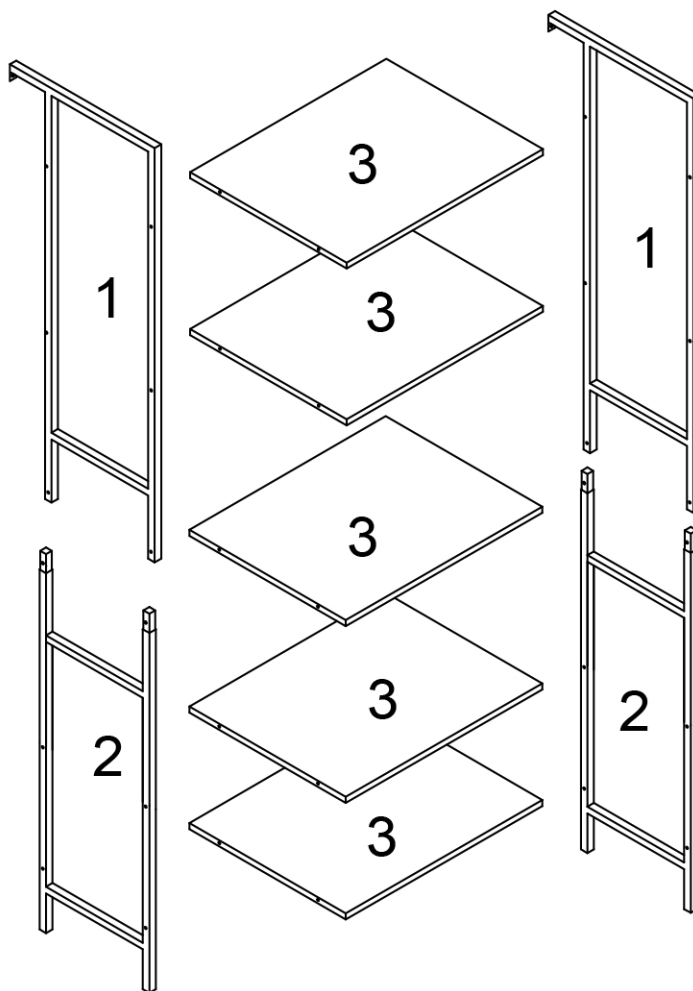




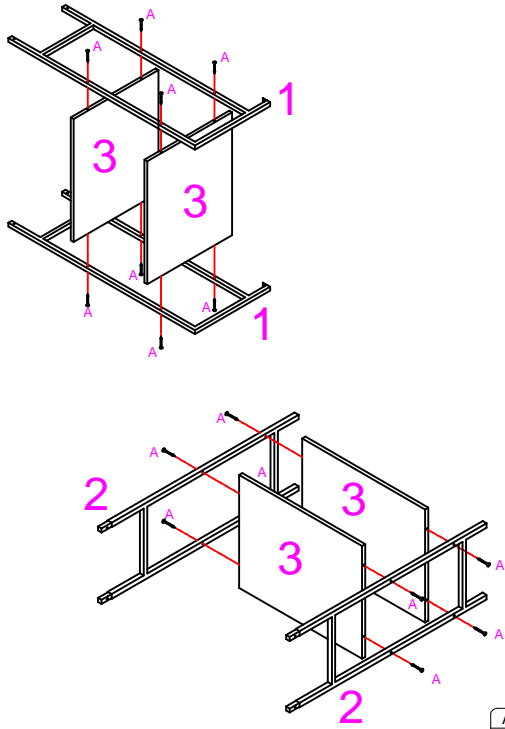
Instruction Manual


Please save this manual for future reference.

| | |
|---------------|---------------------|
| Product Name: | Ladder Shelf |
| SKU #: | WHIF1352 |
| Email: | cs@winsomehouse.com |

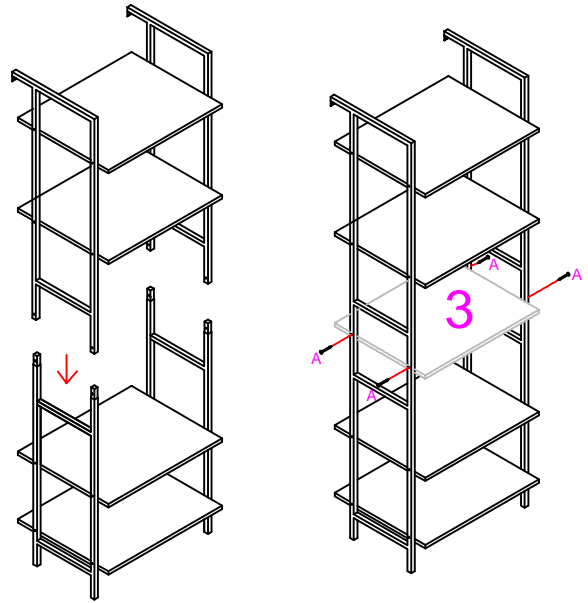



Step 1



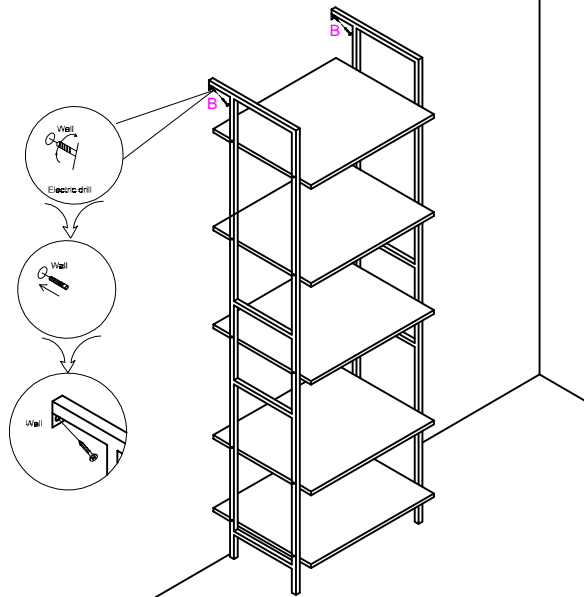
A x 16


Step 2



A x 4


Step 3



B x 2
