

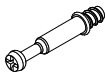

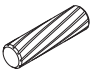


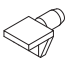




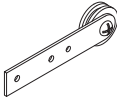




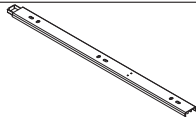
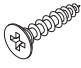
Product Name:	WHITE AND BROWN WOOD TV STAND
SKU #:	WHIF1155

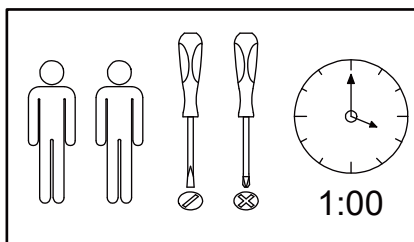
Thank you for purchasing this Luxen Home product. This product has been manufactured with the highest standards of safety and quality.

PLEASE READ ALL INSTRUCTIONS BEFORE ASSEMBLY.

Unpack all parts from Styrofoam and bubble wrap inside the carton to ensure there are no missing or damaged parts. If any parts are missing or damaged, do not attempt to assemble or use the product.

Hardware:

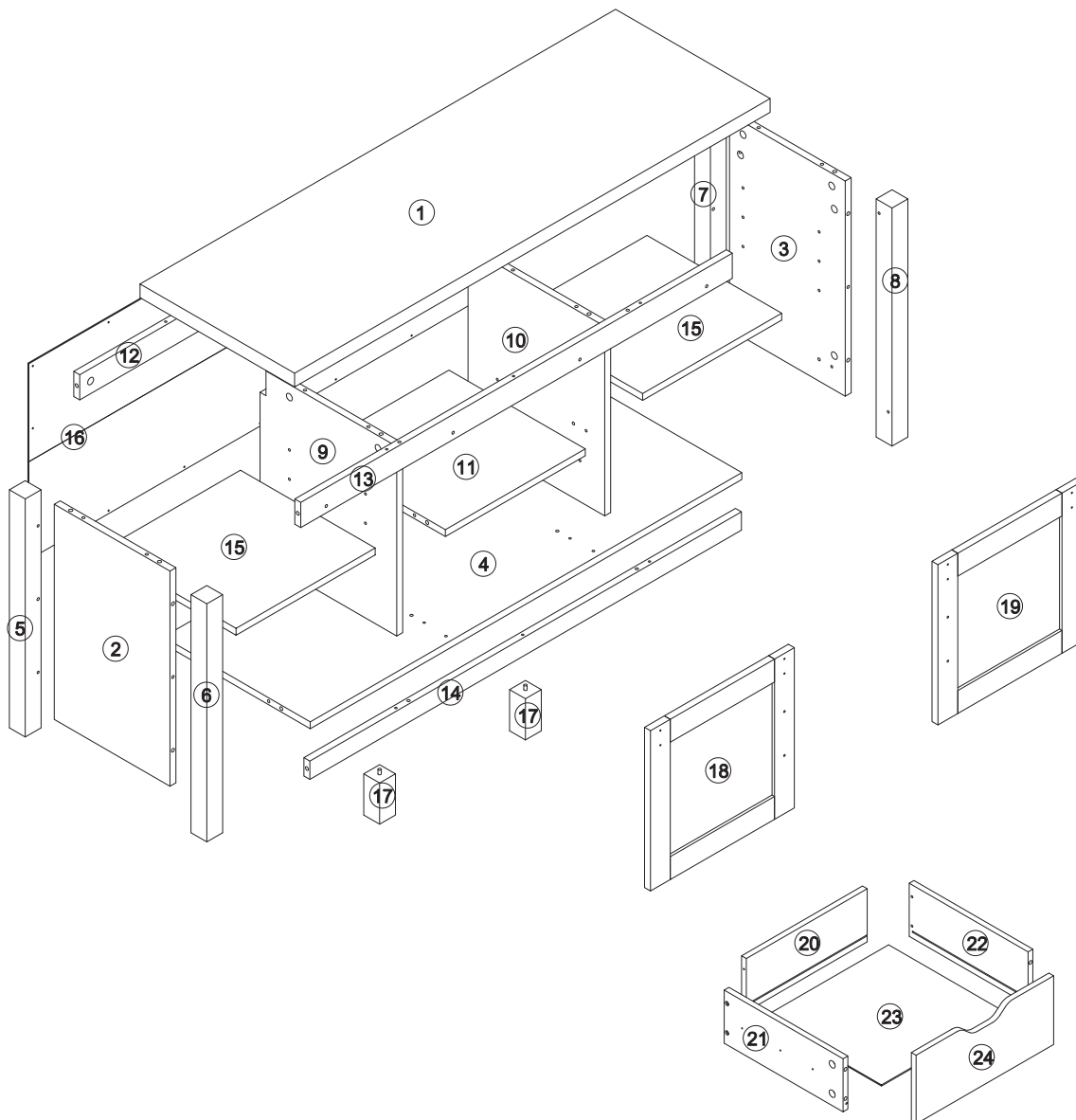
Ⓐ×34  (φ6x35 mm)	Ⓑ×34  (φ15x10 mm)	Ⓒ×30  (φ8x30 mm)	Ⓓ×17  (φ4x35 mm)	Ⓔ×6  (φ12 mm)	Ⓕ×8 
Ⓖ×2 	Ⓗ×18  (φ3x14 mm)	Ⓘ×4  (φ6x25 mm)	Ⓙ×1 	Ⓚ×4 	Ⓛ×4  (φ4x22 mm)
Ⓜ×2 	Ⓝ×8  (φ4x14 mm)	Ⓞ×4  (φ4x10 mm)	Ⓟ×2 	Ⓠ×12  (φ3x12 mm)	



Tools required for assembly: Phillips screwdriver and Flathead Screwdriver (if using power tools, use with care)

Product Name:	WHITE AND BROWN WOOD TV STAND
SKU #:	WHIF1155

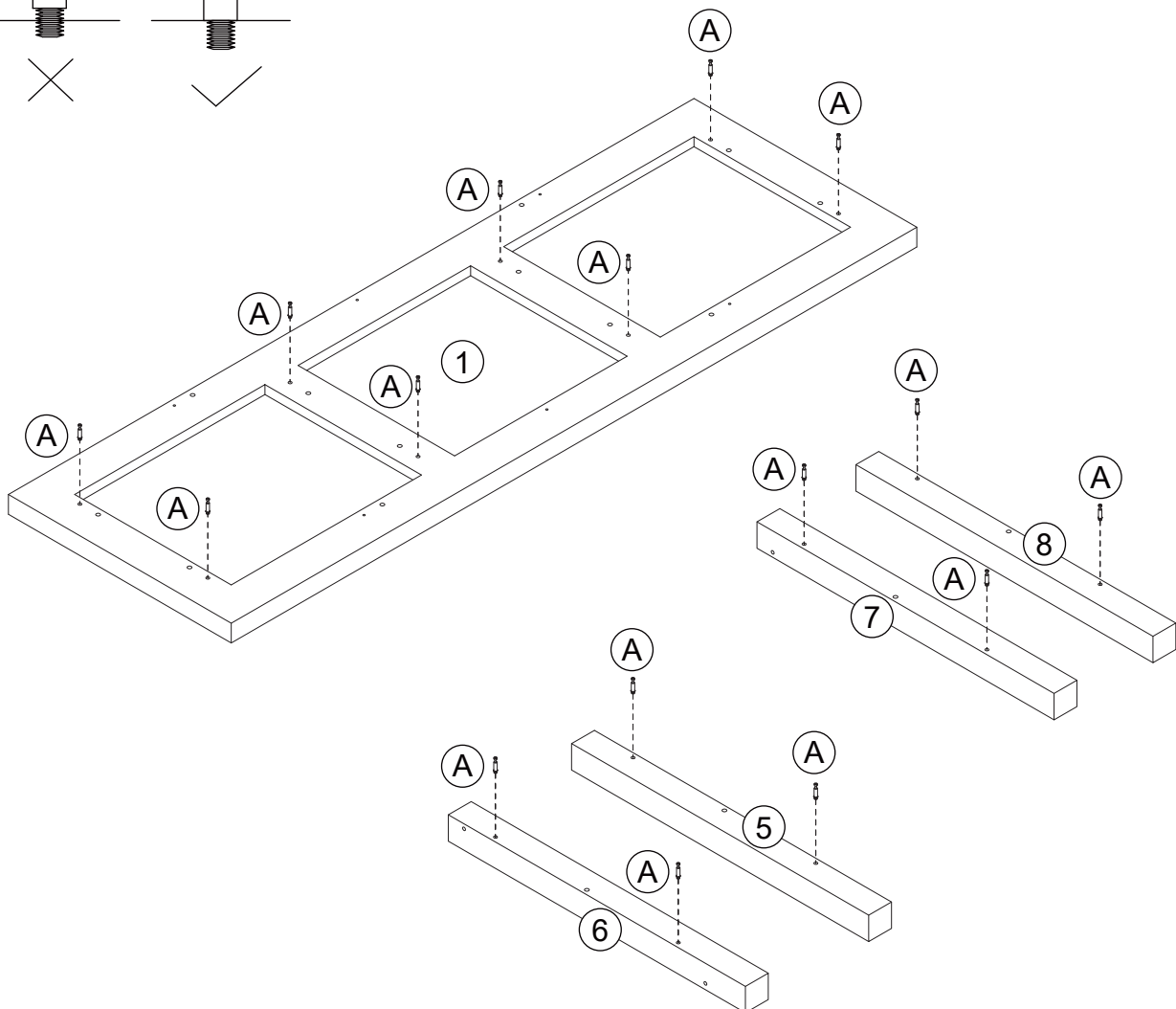
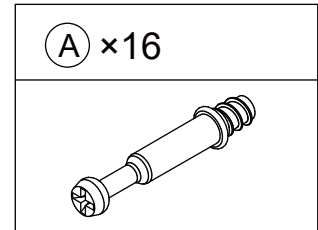
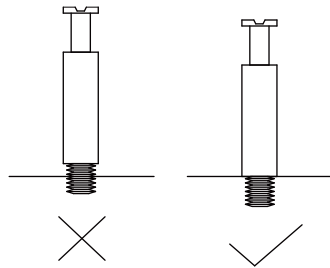
Panels:



Product Name:	WHITE AND BROWN WOOD TV STAND
SKU #:	WHIF1155

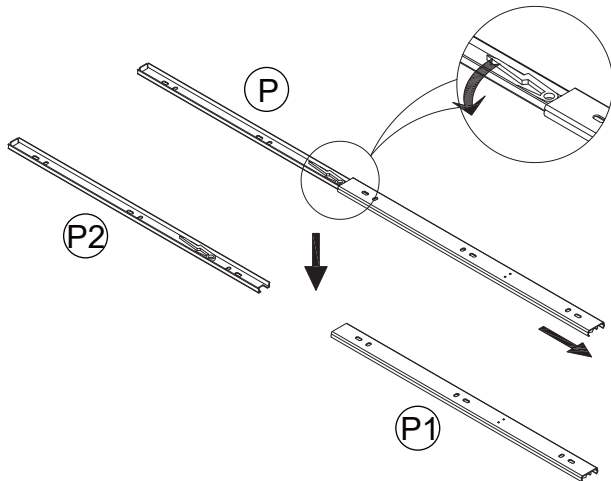
Step 1

Make sure the pins are installed correctly as shown with the "check mark" below:

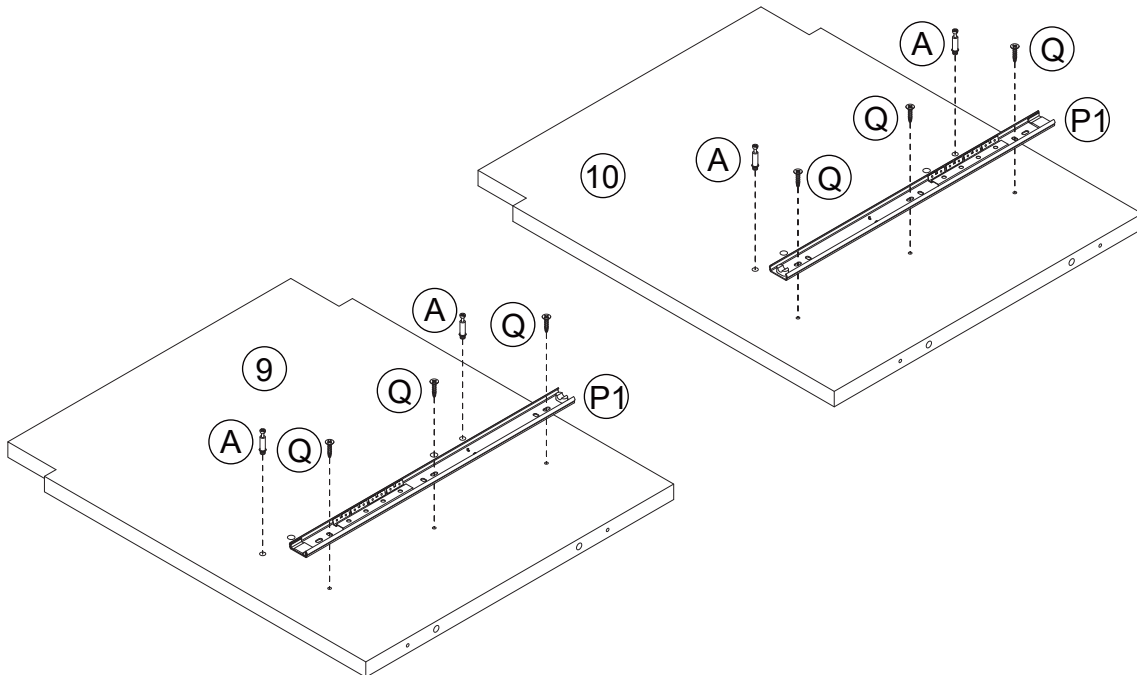


Product Name:	WHITE AND BROWN WOOD TV STAND
SKU #:	WHIF1155

Step 2



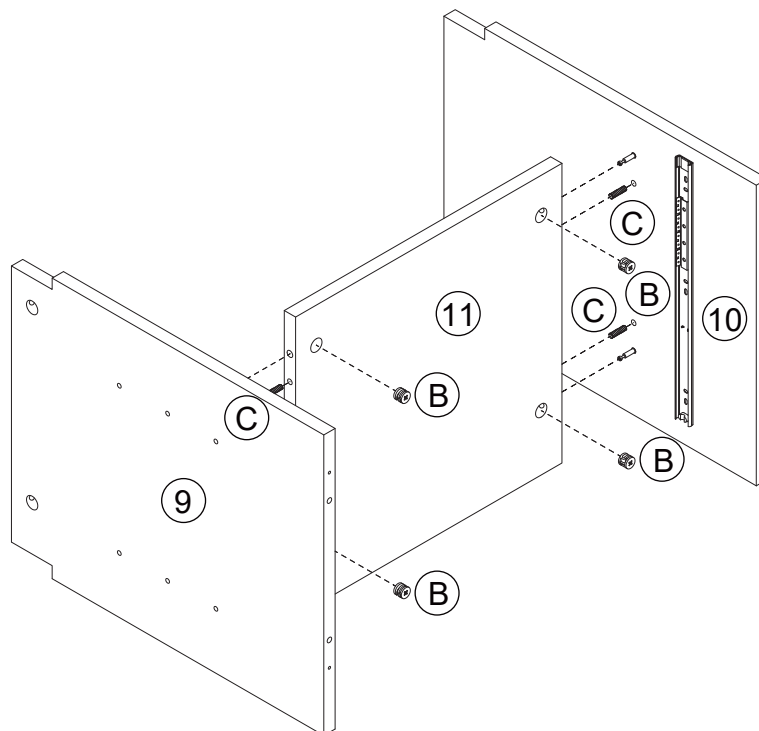
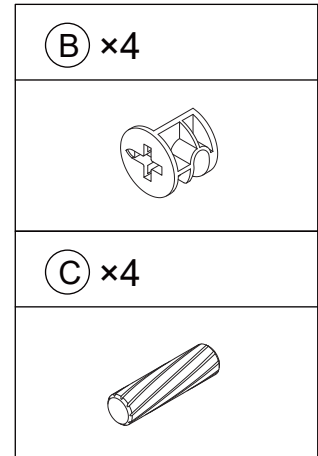
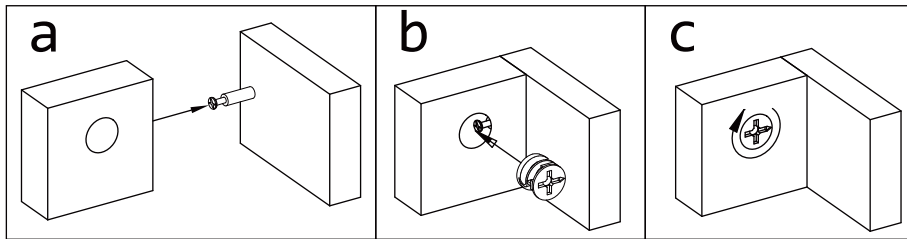
(A) x4
(P) x2
(Q) x6



Product Name:	WHITE AND BROWN WOOD TV STAND
SKU #:	WHIF1155

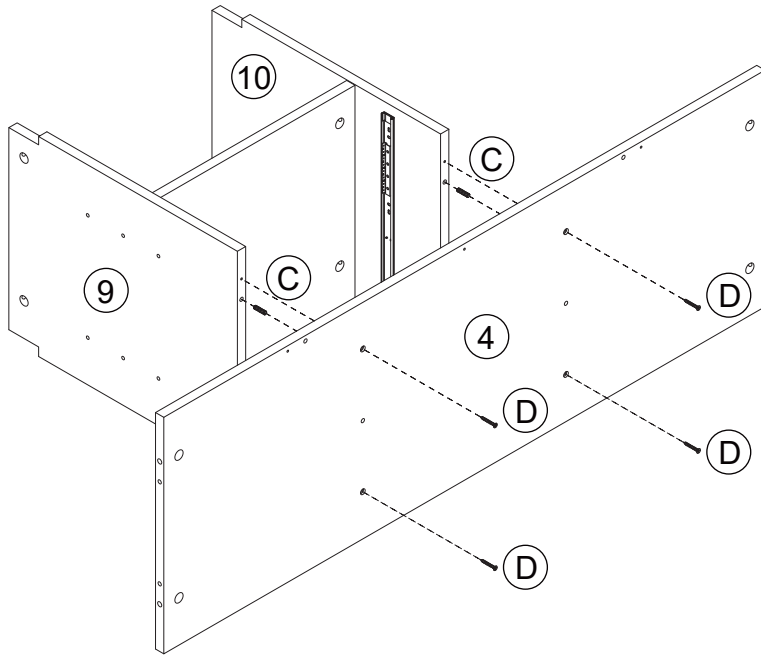
Step 3

Below shows how the pins are used to assemble the panels together.

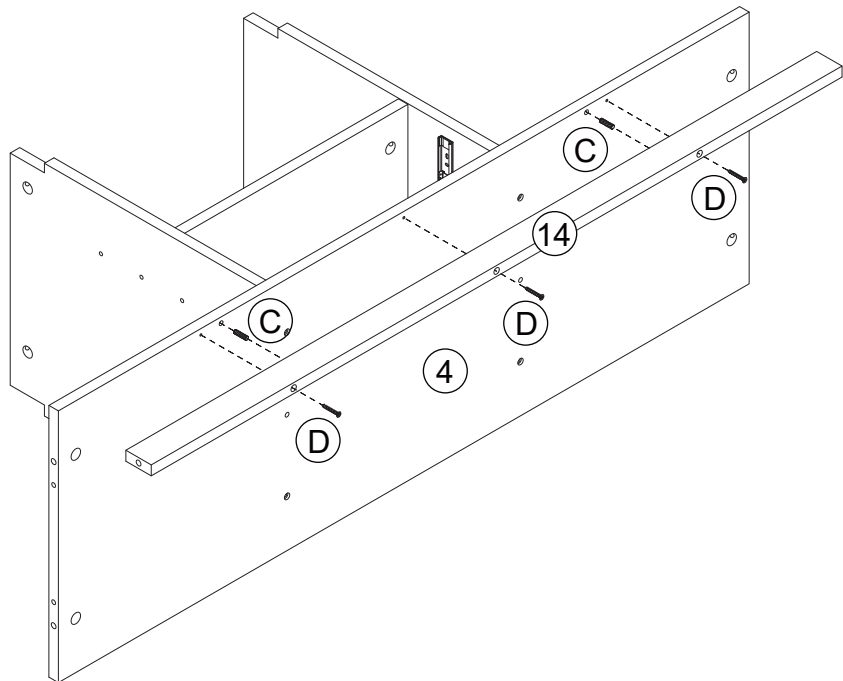


Product Name:	WHITE AND BROWN WOOD TV STAND
SKU #:	WHIF1155

Step 4

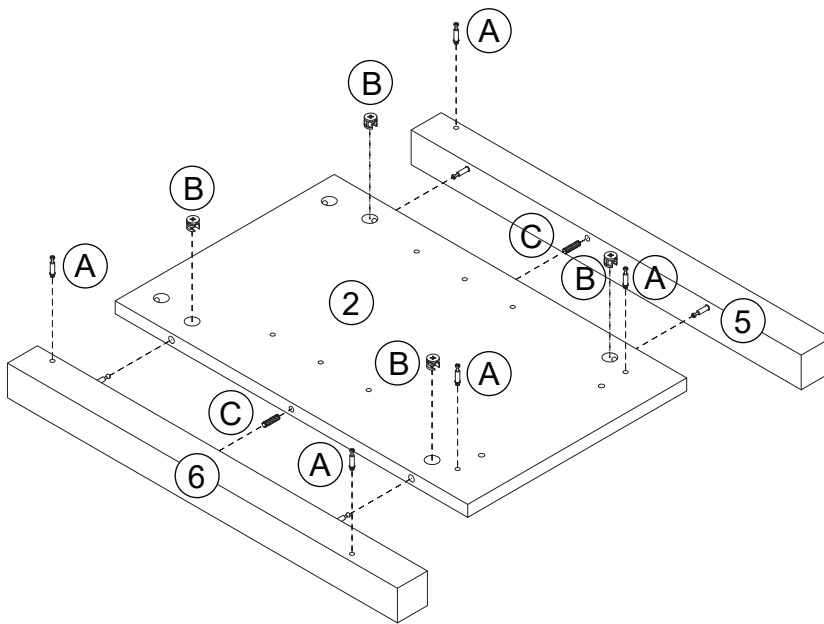


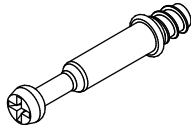
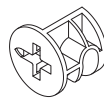
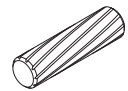
C × 6
D × 7

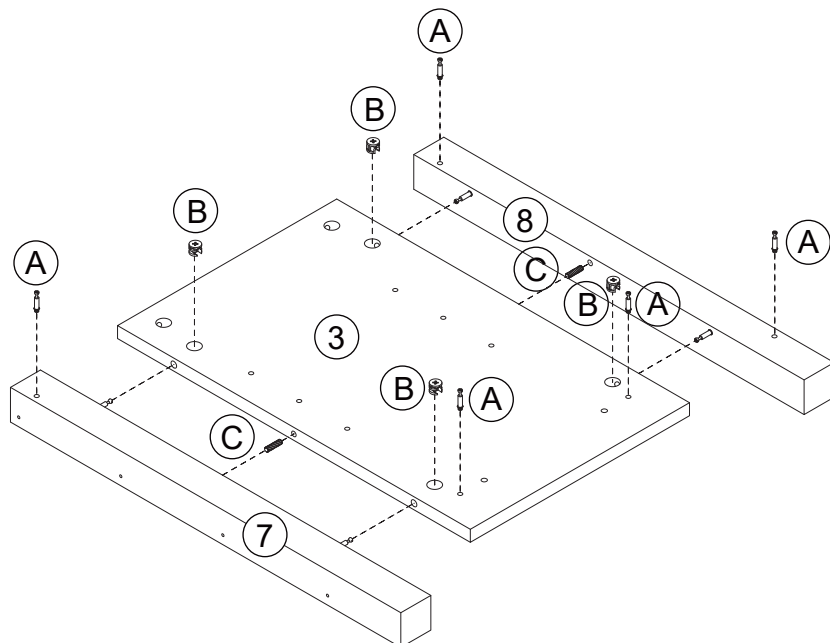


Product Name:	WHITE AND BROWN WOOD TV STAND
SKU #:	WHIF1155

Step 5

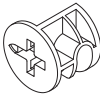
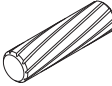
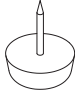


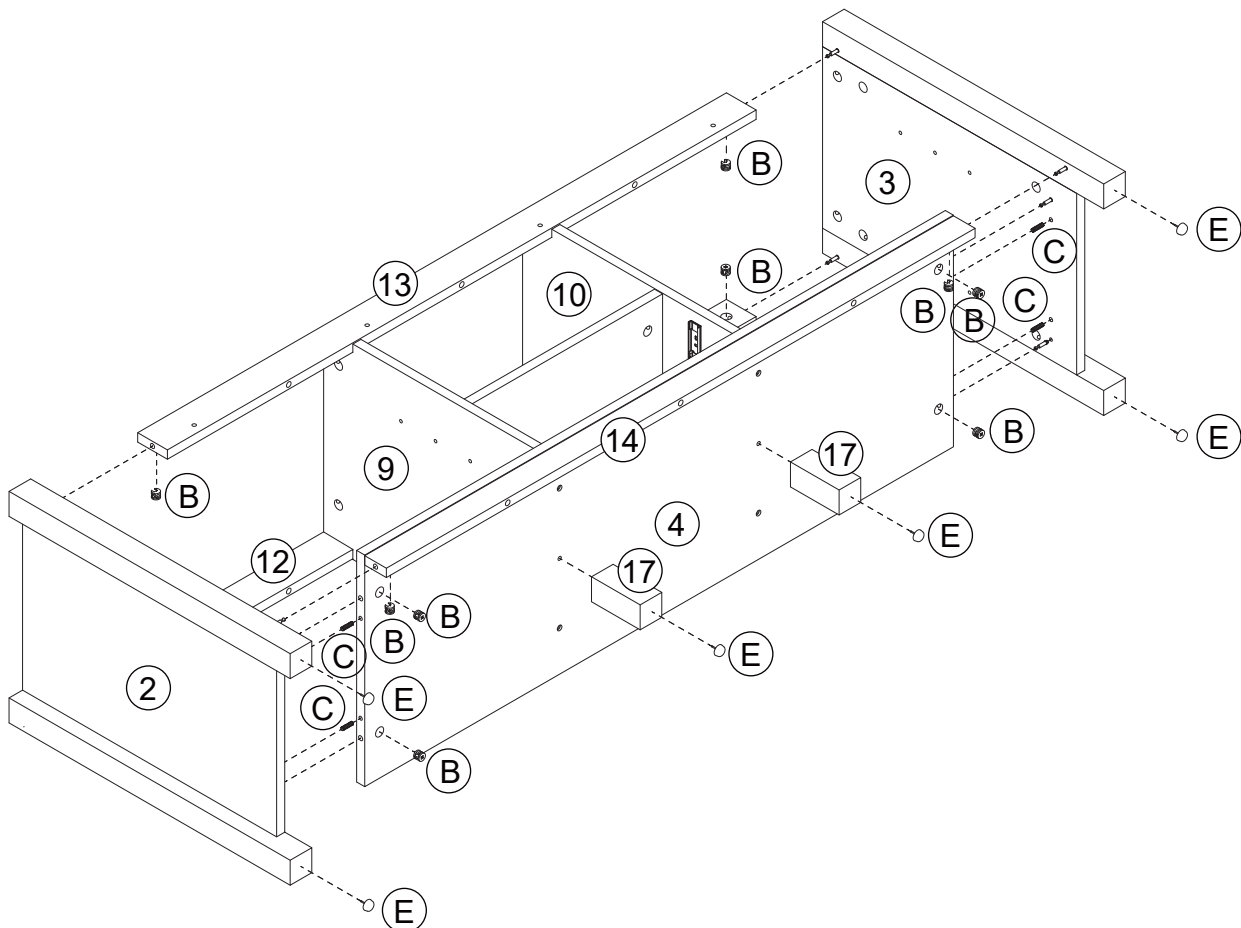
(A) × 10

(B) × 8

(C) × 4




Product Name:	WHITE AND BROWN WOOD TV STAND
SKU #:	WHIF1155

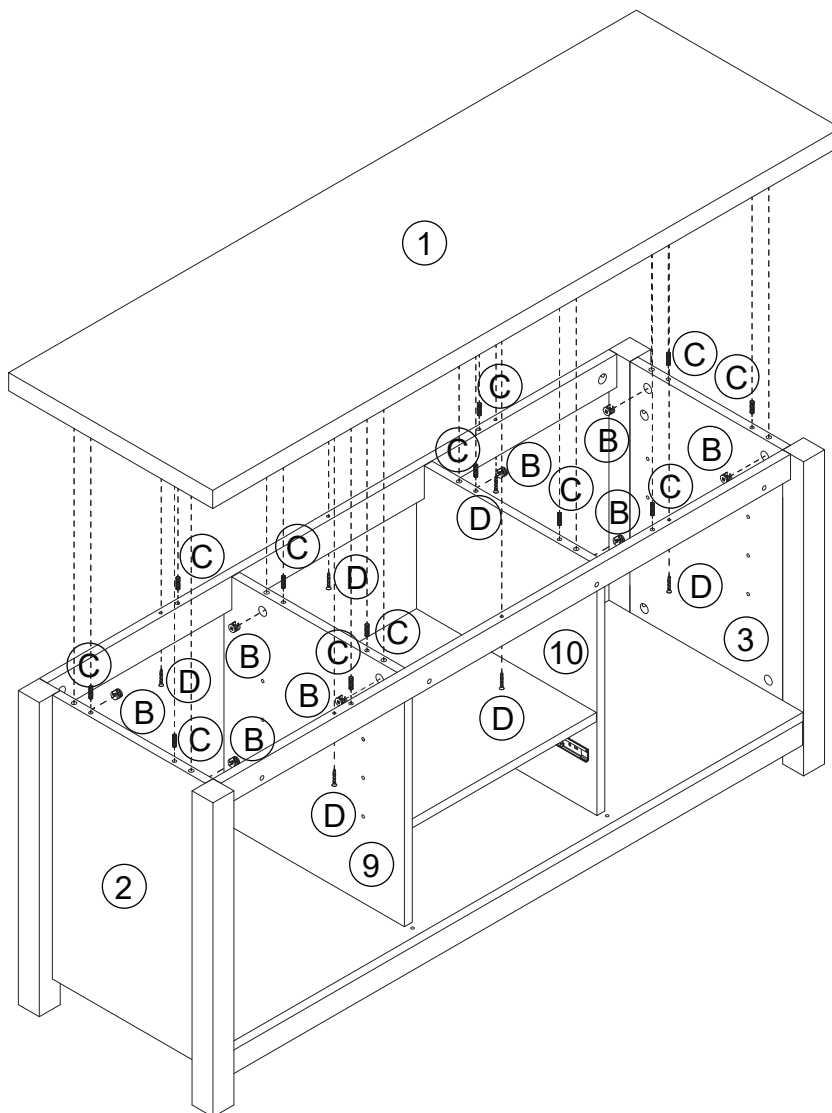
Step 6

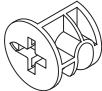
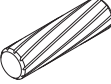

(B) × 10	(C) × 4	(E) × 6
		



Product Name:	WHITE AND BROWN WOOD TV STAND
SKU #:	WHIF1155

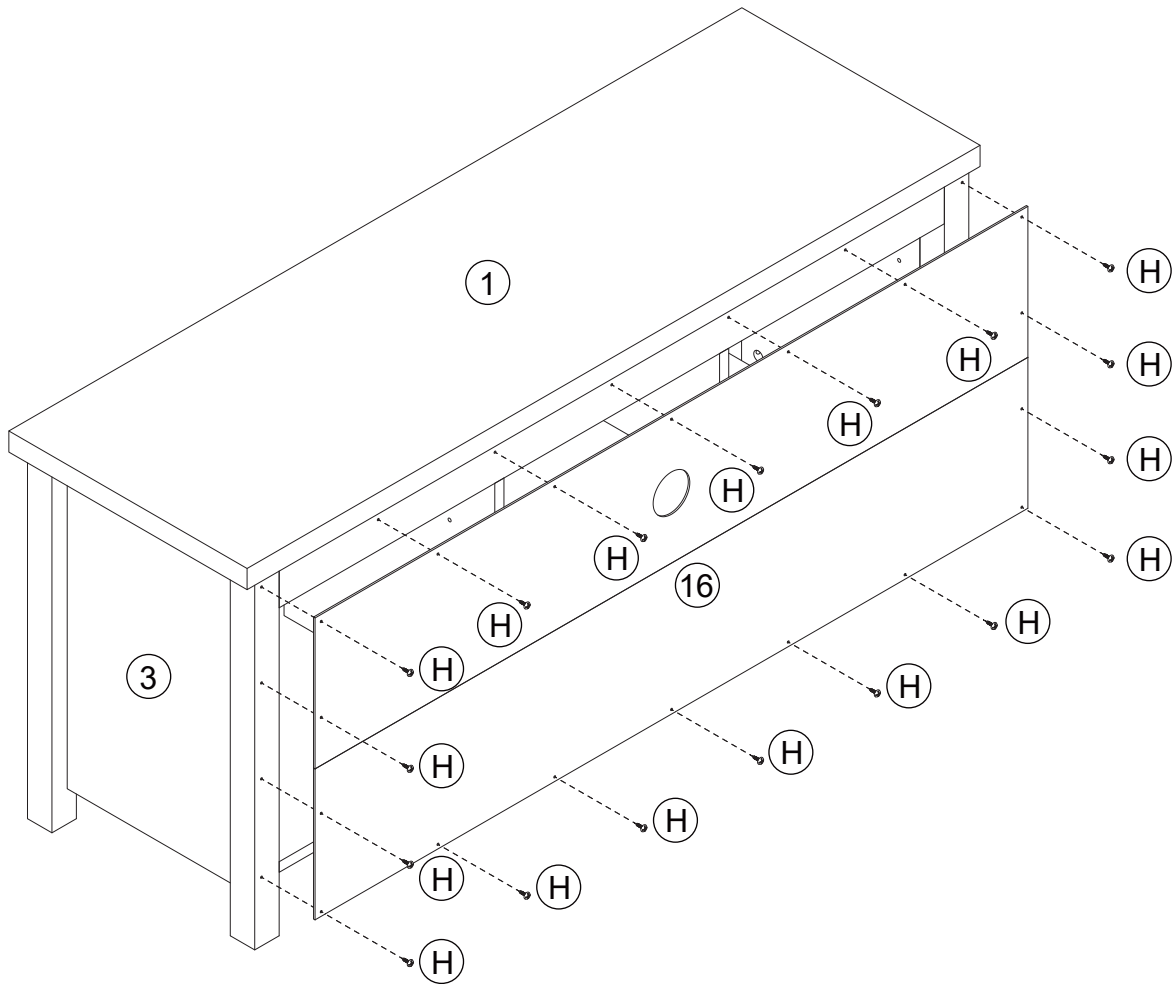
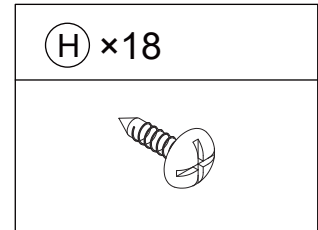
Step 7



ⓑ × 8

ⓒ × 12

ⓓ × 6


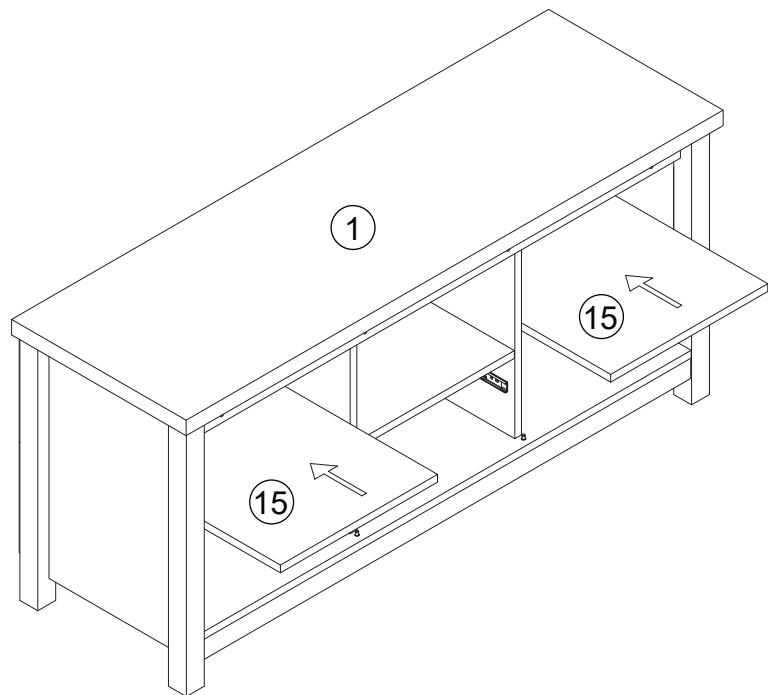
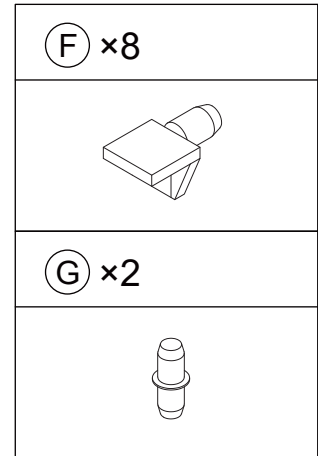
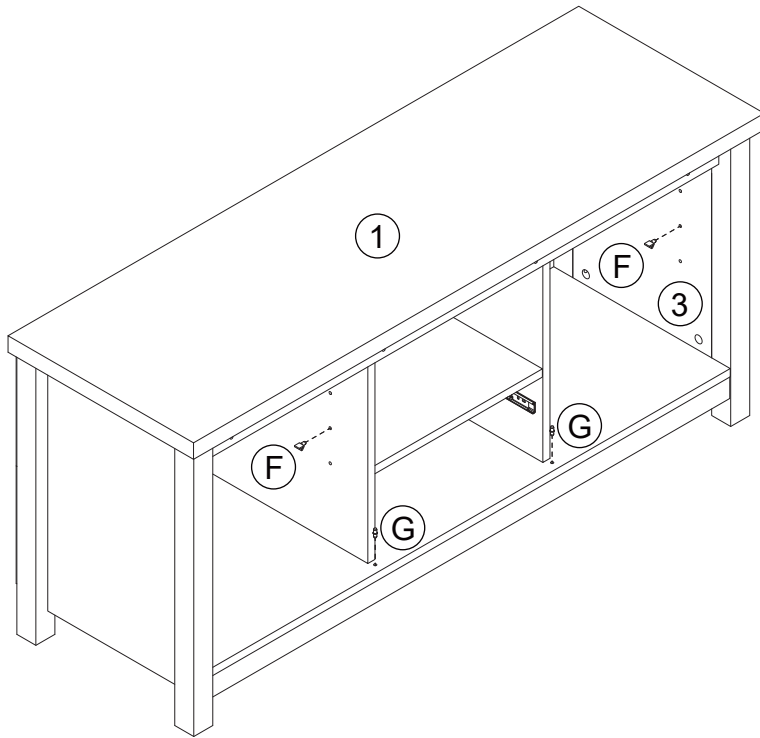
Product Name:	WHITE AND BROWN WOOD TV STAND
SKU #:	WHIF1155

Step 8



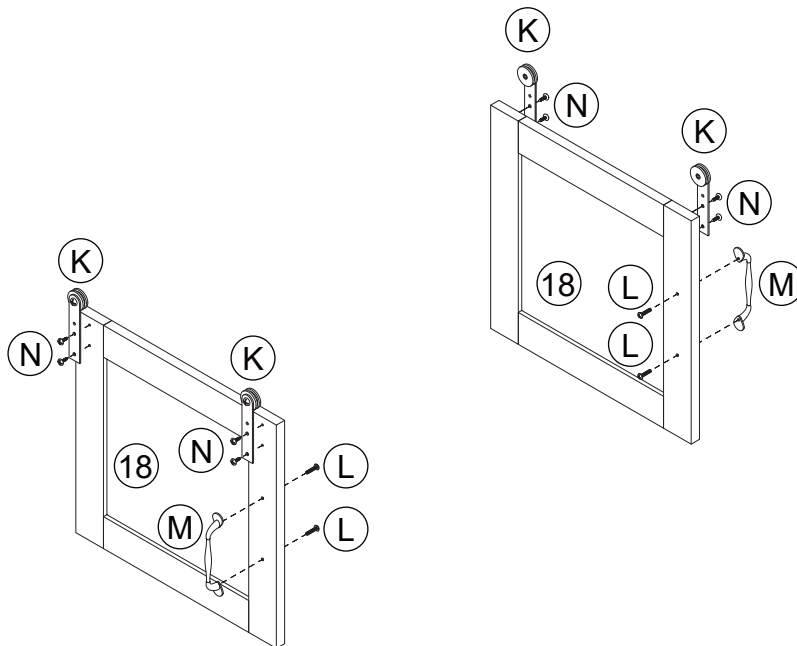
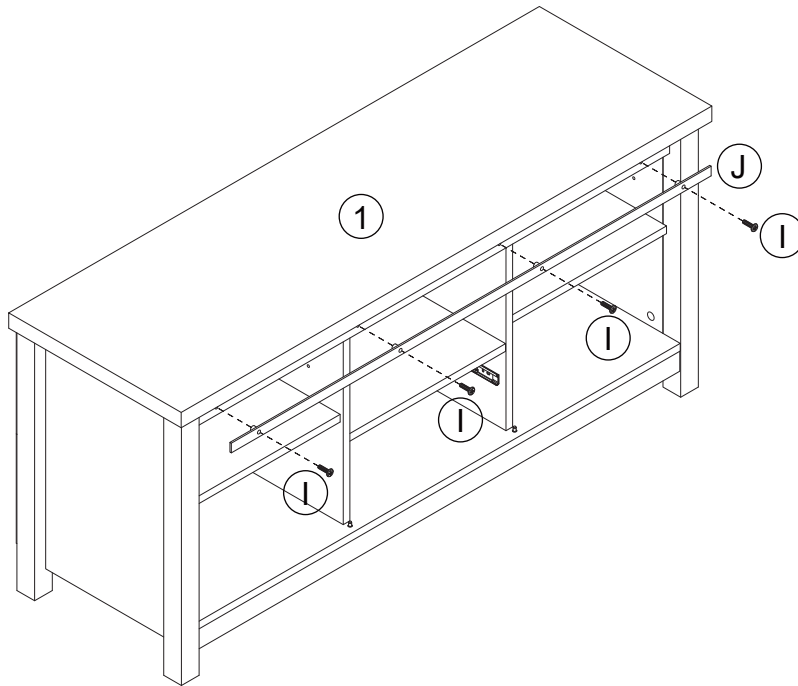
Product Name:	WHITE AND BROWN WOOD TV STAND
SKU #:	WHIF1155

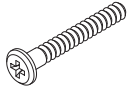

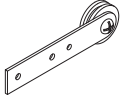


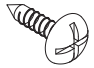
Step 9



Product Name:	WHITE AND BROWN WOOD TV STAND
SKU #:	WHIF1155

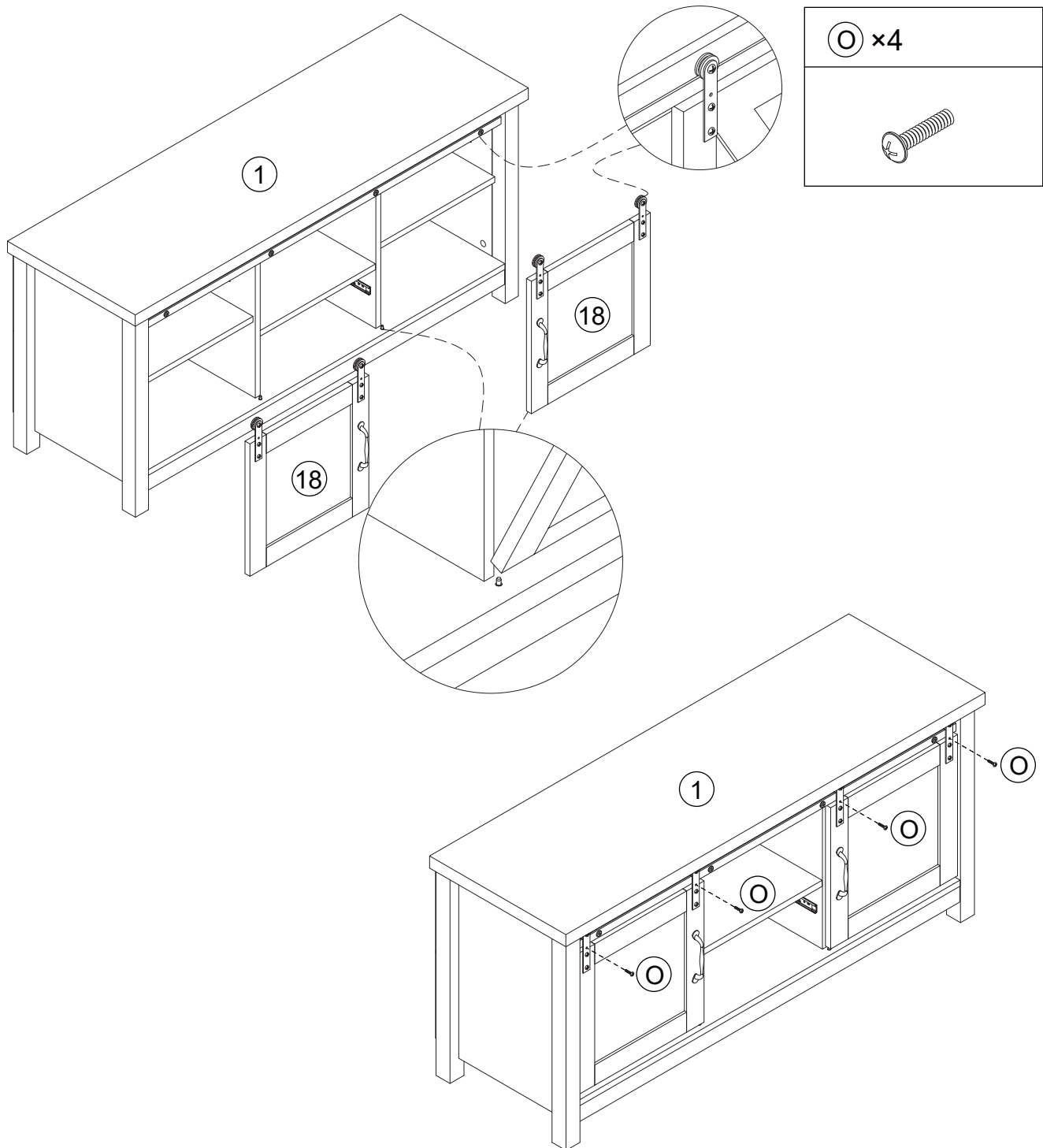
Step 10



(I) ×4

(J) ×1

(K) ×4

(L) ×4

(M) ×2

(N) ×8


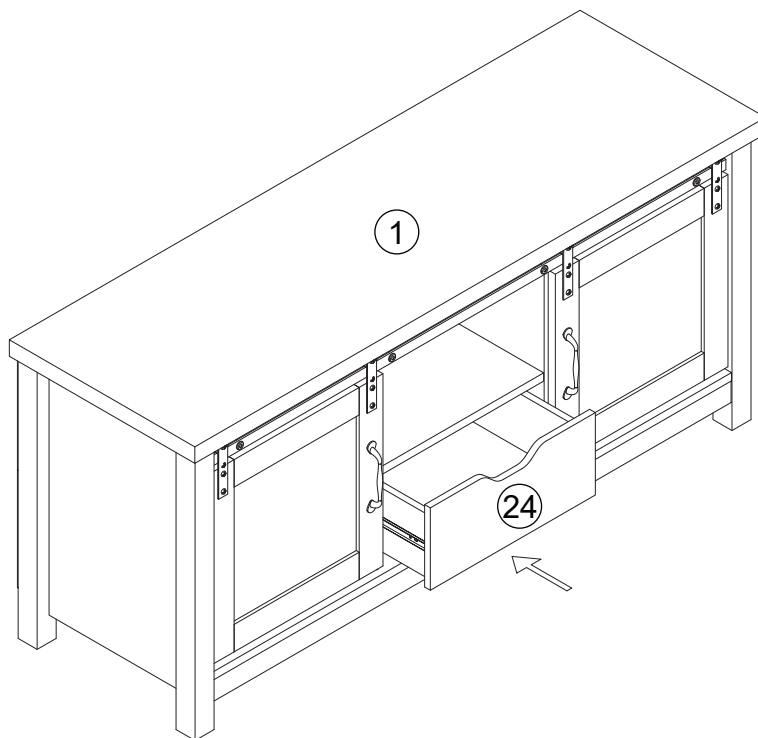
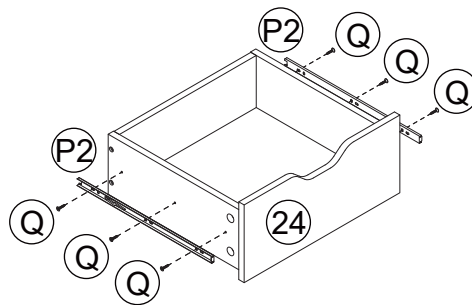
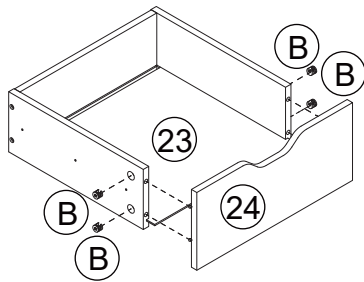
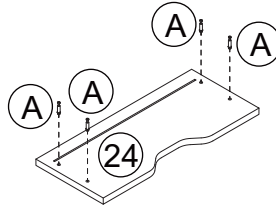
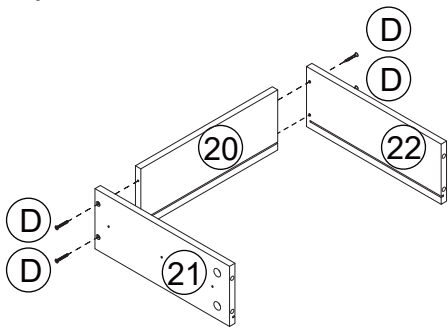
Product Name:	WHITE AND BROWN WOOD TV STAND
SKU #:	WHIF1155

Step 11



Product Name:	WHITE AND BROWN WOOD TV STAND
SKU #:	WHIF1155

Step 12



<p>(A) × 4</p>
<p>(B) × 4</p>
<p>(D) × 4</p>
<p>(P2) × 2</p>
<p>(Q) × 6</p>