

Product Name:	Upholstered Beige Linen Entryway and Bedroom Bench
SKU #:	WHIF1004

Thank you for purchasing this Luxen Home product. This product has been manufactured with the highest standards of safety and quality.

**PLEASE READ ALL INSTRUCTIONS BEFORE ASSEMBLY.**

Unpack all parts from Styrofoam and bubble wrap inside the carton to ensure there are no missing or damaged parts. If any parts are missing or damaged, do not attempt to assemble or use the product.

**CARTON CONTENTS:**

Part	Draw	Quantity
A		1
B		4
C		1

Contact: cs@winsomehouse.com

Product Name:	Upholstered Beige Linen Entryway and Bedroom Bench
SKU #:	WHIF1004

Part	Draw	Quantity
D		16
E		16
F		1

**Tools required for assembly:** Allen Wrench (if using power tools, use with care)

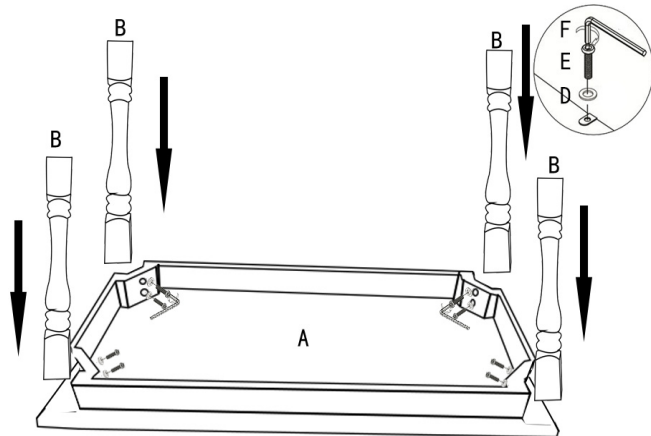
Do not completely tighten any bolts until the unit is fully assembled and sitting on a level surface. Tighten each bolt nuts firmly. Do not over tighten any bolt nuts as this may cause stripping.

Contact: cs@winsomehouse.com

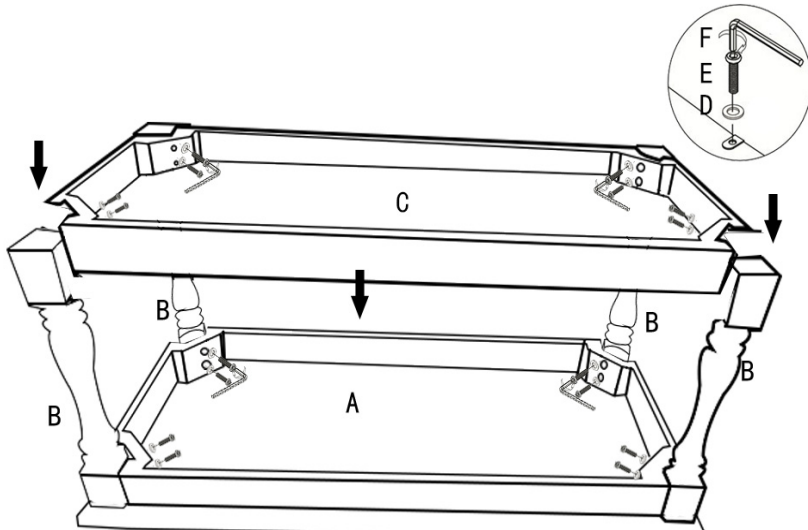
Product Name:	Upholstered Beige Linen Entryway and Bedroom Bench
SKU #:	WHIF1004

**Assembly Instructions:**

**Step 1** Turn bench top (A) upside down on a clean, dry and soft surface, insert the wooden leg (B) on the bench top(A). Tighten bench top(A) and the legs(B) by long screw(E) and round washer(D).



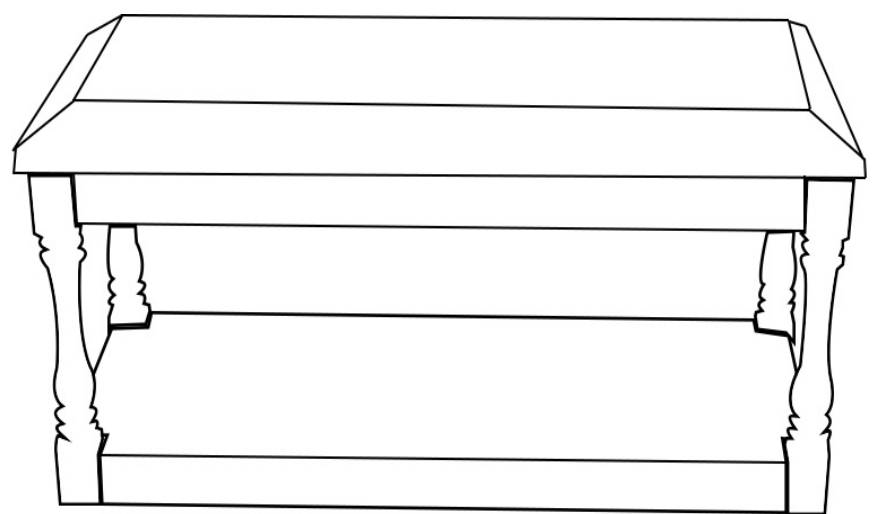
**Step 2** Combine wooden bottom (C) and legs (B), then tighten them by long screw (E) and round washer (D).



Contact: cs@winsomehouse.com

Product Name:	Upholstered Beige Linen Entryway and Bedroom Bench
SKU #:	WHIF1004

**Final**



**Special Warnings and Cautions:**

To avoid injury and/or damage, please do not skip or stand on the bench as this may cause serious bodily injuries and/or product damage.

Contact: cs@winsomehouse.com