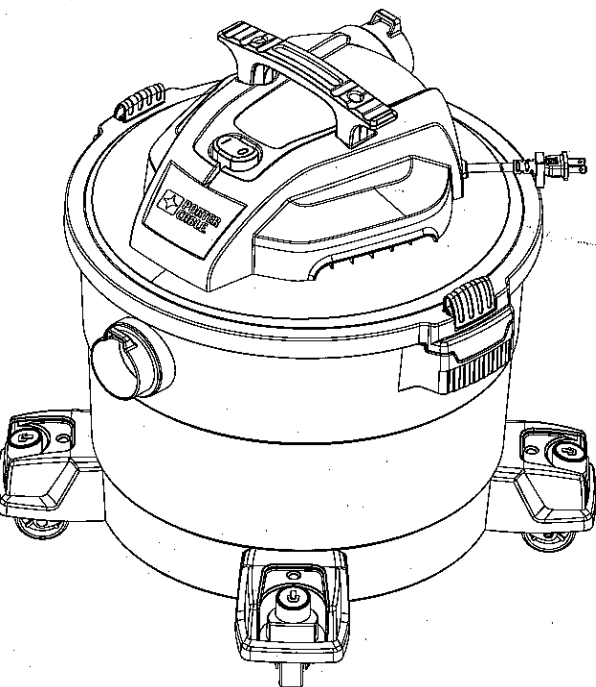


MODEL NUMBER: PCX18604P-10A

PORTER CABLE

10 Gal/ 38 LITERS WET/DRY VACUUM OWNER'S MANUAL



3 3 YEAR LIMITED WARRANTY

If you have any problems with this product or questions under this warranty, contact us at 1-888-899-0146, Monday-Friday, 8:00am - 5:00pm Central Time. Assistance is available in English and Spanish.
Porter-Cable Industrial Ltd. Group; 1031 North Raddant Rd
Morton, Illinois 60510; 1-888-899-0146

**IMPORTANT: RETAIN FOR FUTURE REFERENCE!
READ THIS OWNER'S MANUAL BEFORE USING!**

www.portercable.com

Thank you for choosing PORTER-CABLE! To register your new product, go to:
www.portercable.com/ServiceAndSupport/ProductRegistration.aspx

ASSEMBLY AND CARE & USE INSTRUCTIONS



TABLE OF CONTENTS

Specifications..... 2

Package Contents..... 3

Safety Information..... 4

Operating Instructions..... 6

Care and Maintenance..... 9

Troubleshooting..... 10

Expanded View and Parts List..... 11

Warranty..... 12

PRODUCT SPECIFICATIONS

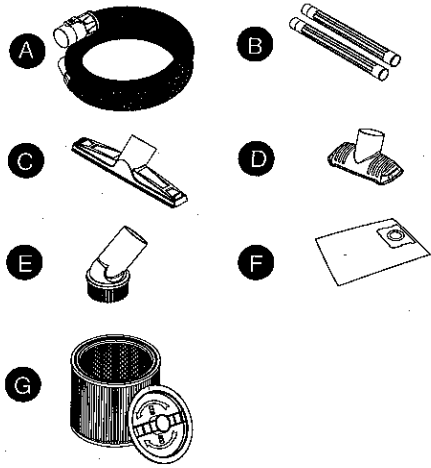
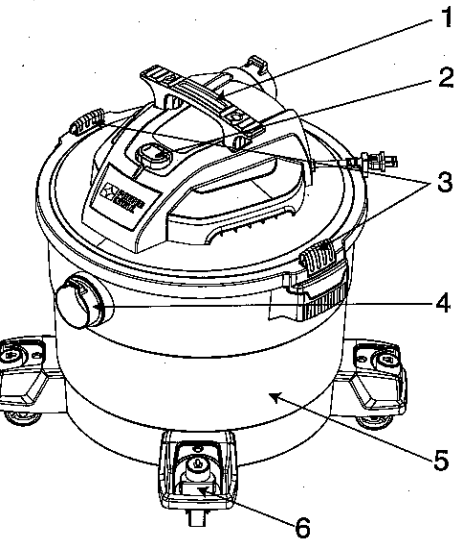
Model	PCX18604P-10A
Power	120 V / 60 Hz / 10 A
Motor	Single Stage
Tank Capacity	10 Gallon
Hose	8 ft x 1-7/8 in / 2.4 m x 48 mm
Power cord	SJTW18AWG 10 ft. / 3 m Length

▲ WARNING:

Use only extension cords that are rated for outdoor use. Extension cords in poor condition or that are too small in wire size can pose fire and shock hazards. To reduce the risk of these hazards when using an extension cord, be sure it is in good condition and that the connection does not come into contact with liquid. To keep power loss to a minimum, use the following table to choose the minimum wire size extension cord.

Extension Cord Length	Gauge A.W.G.
0 - 15.2 m / 0 - 50 ft.	14
0 - 30.5 m / 50 - 100 ft.	12

PACKAGE CONTENTS



19-1600 Foam Filter

Part	Description	Part No.	Qty
A	1-7/8" Hose	19-1108	1
B	Extension wand	19-1200	2
C	Floor brush	19-1900D	1
D	Utility nozzle	19-1300	1
E	Round brush	19-2400	1
F	Disposable dust bag (Dry)	19-3101N	1
G	Cartridge filter (Dry)	08-2566B	1

Cleaner Description

Item	Description
1	Handle
2	Power Switch
3	Two Lid Latches
4	Vacuum Port
5	Dust Tank
6	Caster

SAFETY INFORMATION

IMPORTANT SAFETY INSTRUCTIONS & GROUNDING INSTRUCTIONS

When using an electrical appliance, basic precautions should be always followed, including the following: **READ ALL INSTRUCTIONS BEFORE USING THIS APPLIANCE.**

▲DANGER!

Never operate this unit when flammable materials or vapors are present because electrical devices produce arcs or sparks that can cause a fire or explosion.

▲ATTENTION!

Read all safety rules carefully before attempting to operate. Retain for future reference.

▲WARNING!

To reduce the risk of fire, electric shock, or injury:

1. Do not leave appliance when plugged in or when in operation. Unplug from outlet when not in use and before performing any service on it.
2. Do not expose to rain. Store indoors.
3. Always disconnect the plug from the wall outlet before removing the tank cover.
4. Do not allow to be used as a toy. Close attention is necessary when used by or near children.
5. Do not use with damaged cord or plug. If appliance is not working as it should, has been dropped, damaged, left outdoors or dropped into water, contact service center for assistance.
6. Do not pull or carry by cord, use cord as a handle, close a door on cord or pull cord around sharp edges or corners. Do not run appliance over cord. Keep cord away from heated surfaces.
7. Do not unplug by pulling on cord. To unplug, grasp the plug, not the cord.
8. Do not handle plug or appliance with wet hands.
9. Do not put any object into openings. Do not use with any openings blocked; keep the openings free of dust, lint, hair and anything that may reduce airflow.
10. Keep hair, loose clothing, fingers and all parts of body away from openings and moving parts.
11. Do not pick up anything that is burning or smoking, such as cigarettes, matches or hot ashes.
12. Do not use without dust bag and/or filters in place.
13. Turn off all controls before unplugging.
14. Use extra care when cleaning on stairs.
15. Do not use to pick up flammable or combustible liquids such as gasoline or use in areas where they may be present.
16. Do not use the cleaner as a sprayer of flammable liquids such as oil-based paint, lacquers, etc.
17. Do not vacuum toxic, carcinogenic, combustible or other hazardous materials such as asbestos, arsenic, barium, beryllium, lead, pesticides or other health endangering materials.
18. Do not pick up soot, cement, plaster or drywall dust without filter and dust bag in place. These are very fine particles that may affect the performance of the motor or be exhausted back into the air. Additional dust bag is available.

19. Do not leave the cord lying on the floor once have finished the cleaning job. It can become a tripping hazard.
20. Use special care when emptying heavily loaded tanks.
21. To avoid spontaneous combustion, empty tank after each use.
22. The operation of a utility vacuum can result in foreign objects being blown into eyes, which can result in eye damage. Always wear safety goggles when operating vacuum.
23. **STAY ALERT.** Watch what you are doing and use common sense. Do not use vacuum cleaner when you are tired, distracted or under the influence of drugs, alcohol or medication causing diminished control.
24. This appliance is provided with double insulation. Use only identical replacement parts. See instructions for servicing double insulated appliances.
25. Unplug appliance before connecting the hose, nozzles, filters, or other accessories.

NOTICE: Use only as described in this manual. Use only manufacturer's recommended attachments.

▲WARNING!

SERVICING OF A DOUBLE-INSULATED WET/DRY VACUUM

In a double-insulated Wet/Dry Vacuum, two systems of insulation are provided instead of grounding. This means that no grounding is provided on a double-insulated appliance, nor should a means for grounding be added. Servicing a double-insulated Wet/Dry Vacuum requires extreme care and knowledge of the system and should be done only by qualified service personnel. Replacement parts for a double-insulated Wet/Dry Vacuum must be identical to the parts they replace. The double-insulated Wet/Dry Vacuum is marked with the words "DOUBLE INSULATED" and the symbol (square within a square) may also be marked on the appliance.

To reduce the risk of injury from electrical shock, unplug power cord before servicing the electrical parts of the Wet/Dry Vac.

▲WARNING!

If the supply cord is damaged, it must be replaced by the manufacturer or its service agent or a similarly qualified person in order to avoid a hazard.

▲WARNING!

Remove the plug from the socket before performing maintenance. Before using the machine make sure that the frequency and voltage shown on the rating plate correspond with the mains voltage. Specifications and details are subject to change without prior notice. The accessories shown in the pictures may vary from model to model.

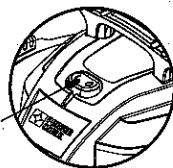
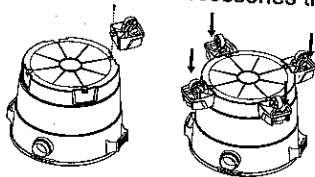
▲WARNING!

This product can expose you to chemicals including lead, which is known to the State of California to cause cancer, birth defects or other reproductive harm. For more information go to www.P65Warnings.ca.gov.

OPERATING INSTRUCTIONS

UNPACKING & SET-UP SUMMARY

1. Pull lid latches in an outward motion, remove power head and some accessories that may have been shipped in the tank.
2. Attach caster following the instructions as below:
 - a. Invert dust tank, take the caster to align the tank bottom sinking place. Secure with screws provided.
 - b. Return dust tank assembly upright.
3. Before replacing power head, refer to this manual to ensure you have the proper filters installed for the cleaning operation.
4. Replace power head, and apply pressure with thumb to each latch until it snaps tightly in place. Make sure all lid latches are clamped securely.
5. Insert the hose end into inlet of tank.
6. Attach the extension wands to the end of the hose. Apply slight pressure until fitting is tight.
7. Attach one of the cleaning accessories (depending on the cleaning requirements) on the extension wands. Twist slightly to tighten the connection.
8. Plug the cord into the wall outlet. The cleaner is ready for use.
9. Turn the unit "ON" by pushing the switch from position "O" to position "I". The "O" is the "OFF" position and the "I" is the "ON" position.



O = OFF I = ON

▲WARNING!

To reduce the risk of fire or explosion, do not operate this vacuum in areas with flammable gases, vapors or explosive dust in the air. Flammable gases or vapors include but are not limited to: lighter fluid, solvent-type cleaners, oil-based paints, gasoline, alcohol or aerosol sprays. Explosive dusts include but are not limited to: coal, magnesium, aluminum, and grain or gun powder. Do not vacuum explosive dust, flammable or combustible liquids or hot ashes. Do not use this vacuum as a sprayer for any flammable or combustible liquid. To reduce the risk of health hazards from vapors or dusts, do not vacuum toxic materials.

▲WARNING!

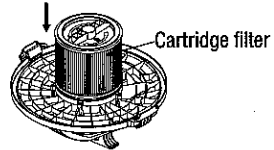
The operation of any utility vacuum can result in foreign objects being blown into the eyes, which can result in severe eye damage. Always wear safety eyewear complying with ANSI Z87.1 (or in Canada, CSA Z94.3) before starting operation.

▲CAUTION:

To reduce risk of hearing damage, wear ear protectors when using the vacuum for extended hours or when using it in a noisy area.

DRY PICK-UP

1. The filter must always be in correct position to reduce the risk of leaks and possible damage to vac. Make sure that the filter is completely covering the filter cage. Make sure there are no gaps between the filter and the lid. (See illustration). It is very important to assemble the filter to the cage without allowing any possible leaks or tears. Any leaks will allow the picked up debris to be blown out of the blowing port and back into the surrounding environment.
2. When using the vacuum to pick up very fine dust, it will be necessary to empty the dust tank and clean or replace the filter at more frequent intervals to maintain peak vacuum performance.

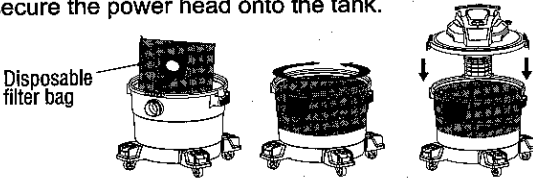


▲ NOTICE

A dry filter is necessary to pick up dry material. If you use the vacuum to pick up dust when the filter is wet, the filter will clog quickly and be very difficult to clean. If the filter gets wet, replace it before continuing to do dry pickups.

INSTALLING DISPOSABLE FILTER BAG

1. Slide the cardboard collar opening firmly onto the vacuum port deflector until it stops against the deflector wall.
2. Position the bag so that it is distributed around the inside of the tank.
3. Replace and secure the power head onto the tank.

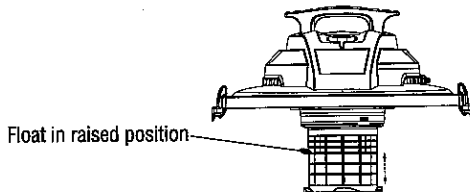
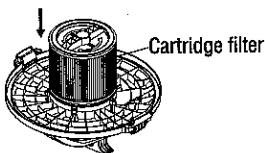


WET PICK-UP

1. Remove disposable and reusable filter and replace it with foam filter when you do wet pickups.
2. This wet/dry vac is equipped with a float mechanism which will rise automatically to cut off the airflow when the liquid in the tank reaches a predetermined level. When this happens, turn off vac, unplug the power cord, and empty the dust tank. You will know that the float has shut the airflow off because the suction ceases and the motor noise becomes higher in pitch due to increased motor speed. The liquid capacity may vary with the rate of pickup.

▲ NOTICE

To reduce the risk of damage to the vacuum, do not run motor with float in raised position.

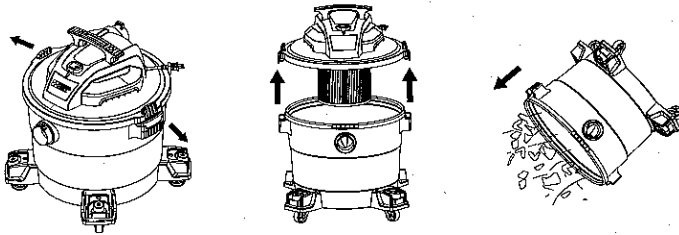


EMPTYING THE TANK

▲WARNING!

To reduce the risk of injury from accidental starting, unplug power cord before emptying the dust tank.

1. Remove the power head assembly of the wet/dry vacuum by pulling outward on the lid clips located on each side of the vacuum. Lift off the power head assembly.
2. Dump the tank contents into the proper waste disposal container.



BLOWING OPERATION

▲WARNING!

Always wear safety eyewear complying with ANSI Z87.1 (or in Canada CSA Z94.3) when using as a blower.

▲WARNING!

To avoid injury to bystanders, keep them clear of blowing debris.

▲CAUTION

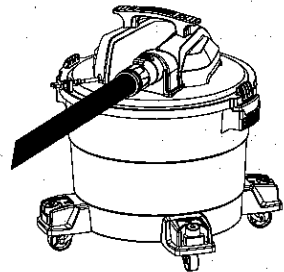
Wear a dust mask if blowing creates dust which might be inhaled.

▲CAUTION

To reduce the risk of hearing damage, wear ear protection when using the vac/blower for extended hours or in confined space.

The vacuum contains a blowing feature. Follow the steps below to use the vacuum as a blower.

1. Locate blowing port on the vacuum.
2. Insert one end of the 8 ft x 1-7/8 in / 2.4 m x 48 mm hose into the blower port.
3. Turn the vacuum "ON".



CARE AND MAINTENANCE

FILTER REPLACEMENT

▲WARNING!

To reduce the risk of injury from accidental starting, unplug power cord before changing or cleaning filter. The filter should be cleaned often to maintain peak Vacuum performance.

▲WARNING!

Do not remove filter cage and float. The float prevents water from entering the impeller and damaging the motor. The cage prevents fingers from touching the moving impeller.

▲NOTICE

To avoid damage to the blower wheel and motor, always reinstall the reusable filter before using the vacuum for dry pickups and always reinstall the foam filter before using the vacuum for wet pickups.

▲NOTICE

After cleaning, check the filter for tears or small holes. Do not use a filter with holes or tears in it. Even a small hole can cause dust to come out of the vacuum. Replace it immediately.

▲NOTICE

Before installing the filter on the vacuum, clean the area of the lid so that the clamp ring will seal the bag against the lid and stop small particles from bypassing the filter bag. If the filter is clean and not damaged, replace it on the filter cage. If it cannot be reused, place a new filter over the filter cage.

▲NOTICE

Clean the filter in an open area.

CLEANING

To keep the wet/dry vacuum looking its best, clean the outside with a cloth dampened with warm water and mild soap.

To clean the tank:

1. Dump out debris.
2. Wash tank thoroughly with warm water and mild soap.
3. Wipe out with dry cloth.

STORAGE

Before storing the vacuum, the dust tank should be emptied and cleaned. The cord should be wrapped and hung on the unit and the accessories should be kept in the accessory holder so they can be readily available. The vacuum should be stored indoors.

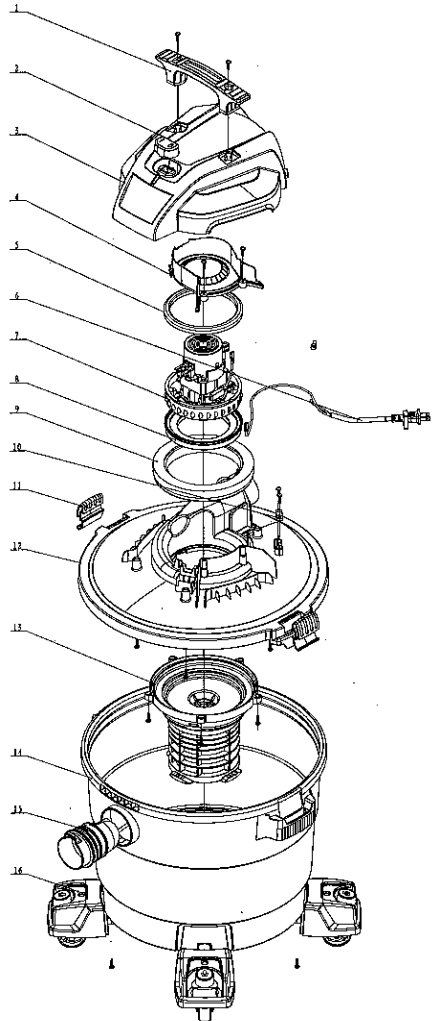
TROUBLESHOOTING

▲WARNING!

Minor problems often can be fixed without calling customer service.

PROBLEM	POSSIBLE CAUSE	CORRECTIVE ACTION
Vacuum will not run	No electricity	Make sure electrical outlet has voltage (A qualified electrician may need to be contacted)
Loss of suction, wet pick-up	1. Full tank 2. Clogged hose 3. Clogged filter	1. Drain and clean tank 2. Remove hose and clean debris 3. Clean or replace filter
Loss of suction, dry pick-up	1. Full tank 2. Clogged hose 3. Clogged filter	1. Drain and clean tank 2. Remove hose and clean debris 3. Clean or replace filter

EXPANDED VIEW / PARTS LIST



PART	DESCRIPTION	QTY
1	Handle	1
2	ON/OFF Switch	1
3	Top Cover	1
4	Thermal Baffle	1
5	Air Duct Seal	1
6	Power Cord	1
7	Motor	1
8	Motor Support Sealing Ring	1

PART	DESCRIPTION	QTY
9	Air Duct Sponge	1
10	Cord Clamp	1
11	Lid Latches	2
12	Lower Lid	1
13	Filter Cage	1
14	Dust Tank	1
15	Vacuum Port	1
16	Caster	4

WARRANTY

Alton Industry Ltd. Group

3 Years Limited Warranty

This warranty covers any defects in materials or workmanship of the enclosed product. Alton Industry Ltd. Group will repair or replace any defective materials due to craftsmanship of the product. This warranty does not cover any problem caused by misuse, abuse, accidents or acts of God, such as floods or hurricanes. Consequential and incidental damages are not covered under this warranty. Coverage terminates if you sell or otherwise transfer the ownership. If you feel you have a defective product, please submit a copy of your receipt to the address below and call 1-888-899-0146 for instructions prior returning this item to the store or sending back to:

Alton Industry Ltd. Group
1031 North Raddant Rd
Batavia, Illinois 60510

We will inspect the product and contact you within 72 hours to give you the results of our inspection. We reserve the right to repair or replace the product at our discretion.

However, we may replace the product with one of similar but not exact features.

Parts and Service Information available call Alton Industry at 1-888-899-0146.

Monday-Friday, 8:00am - 5:00pm Central Time. Assistance is available in English and Spanish.

This warranty gives you specific legal rights. You may have other rights which vary from state to state.