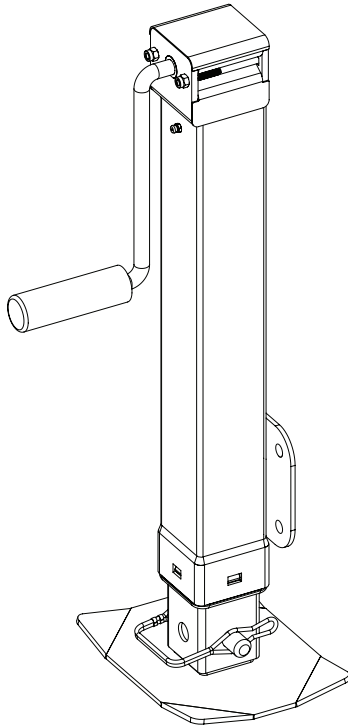


# 7K JACK

OPERATING MANUAL  
Rev 8.25.23



**MOVE FORWARD.**



## WARNING

Carefully read and understand all the instructions before connecting your new 7K lb Jack.

Failure to follow these guidelines may result in serious injury to persons and property for which Trailer Valet will not be held liable. Do not allow persons to operate or assemble this unit until they have read this manual and have developed a thorough understanding of how the unit works.

## THANK YOU FOR YOUR PURCHASE!

Congratulations on your purchase of the 7K lb Jack. For your future reference, please complete the owner's record below:

Purchase Date: \_\_\_\_\_

Order No.: \_\_\_\_\_

Retailer: \_\_\_\_\_

Be sure to keep your receipt, owner's manual, and warranty information in a safe place.

---

## TABLE OF CONTENTS

WARNING AND TABLE OF CONTENTS.....	2
IMPORTANT SAFETY INFORMATION.....	3
SPECIFICATIONS.....	4
ASSEMBLY.....	5
OPERATING INSTRUCTIONS.....	6
LIMITED MANUFACTURER'S WARRANTY.....	7



## IMPORTANT SAFETY INFORMATION

### **Failure to heed these markings may result in personal injury and/or property damage:**

1. DO NOT leave your trailer free standing without the use of wheel chocks.
2. DO NOT submerge the jack in water (salt or fresh) or leave it in water for prolonged periods, since this can damage the gears and erode lubricants.
3. Carefully read all instructions. The operator of the jack must exercise common sense, caution, and full judgment when assessing situations not covered or cautioned in this manual.
4. This product is designed for specific applications only. Trailer Valet will not be responsible for issues arising from modifications made on the device. Do not modify the device or use the device for any application other than its intended purpose. Do not exceed the designated weight limits.
5. As with all devices with moving parts, do not wear excessively loose clothing as it may become caught, possibly resulting in injury. Tie back and secure long hair.
6. This product must be installed and used in strict accordance with these instructions.
7. Before each use of the Jack, check for damaged parts. Carefully inspect the device for any part that appears to be damaged to determine if the device will operate properly. Check for alignment and secure mounting of all moving parts. If the device is neither aligned, secured, or both: DO NOT use the device.
8. When servicing, use only factory replacement parts.
9. Have wheel chocks in place before/after use and ready in case of emergency.
10. Never exceed the maximum rated capacity. Refer to the specifications section of this operating manual or decals on the product to obtain rated capacity. If uncertain, contact Customer Support at (844) 846-9344.
11. This product is designed for vertical loading. Excessive side forces may cause failure and must be avoided.
12. The use of gloves is recommended while attaching the device to the trailer.
13. This product is only to be installed on trailer tongues that are rectangular in profile. Cylindrical tongues are not compatible with the jack as it will rotate, allowing the trailer to drop.

Phone: (844) 846-9344

Email: [support@trailervalet.com](mailto:support@trailervalet.com)

Website: [www.trailervalet.com](http://www.trailervalet.com)

## SAVE THESE INSTRUCTIONS



# SPECIFICATIONS

## JACKS

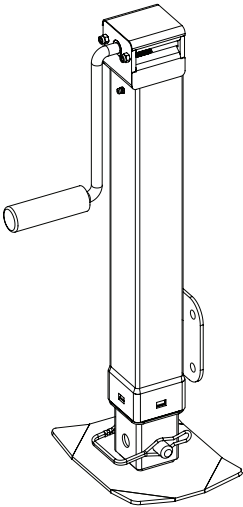
PART #	CAPACITY	GEAR RATIO	MOUNT TYPE
STJB0010	7,000lbs lift	3:4	Direct Weld/Bolt
STJB0011	7,000lbs lift	3:4	Bracket Mount

## MOUNT BRACKET

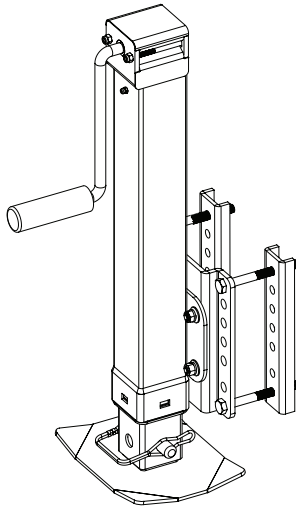
PART #	DESCRIPTION
STA00030	Mounting Bracket with Washers, Locking Nuts, and Bracket Bolts

Upon removing items from packaging, it is very important to thoroughly inspect all parts of the system. Any part that is missing or damaged must be immediately replaced before using the device.

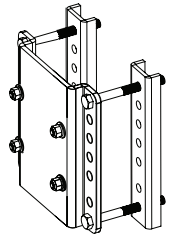
Contact Trailer Valet Customer Service at 1-844-846-9344 or [Support@TrailerValet.com](mailto:Support@TrailerValet.com)



STJB0010



STJB0011



STA00030



# ASSEMBLY

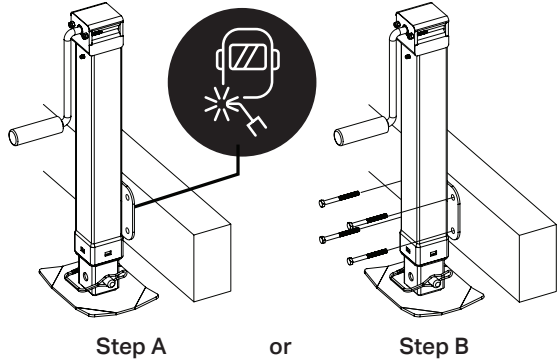
Prior to install, raise the trailer tongue until you have adequate space to attach the jack. The unit must be attached while the weight of the trailer is supported by an existing support or tow vehicle. Having wheel chocks in place during connection will insure a safe install.

## STJB0010

**Step A:** In the location of your choosing, weld the jack mount plate to the vertical center of an unpainted section of your trailer frame.

**Step B:** In the location of your choosing, mark the holes for the jack mount plate on a vertical center of your trailer frame. Then, drill holes through the frame at the marks and bolt the jack to the frame.

**\* Bolts NOT included with STJB0010**

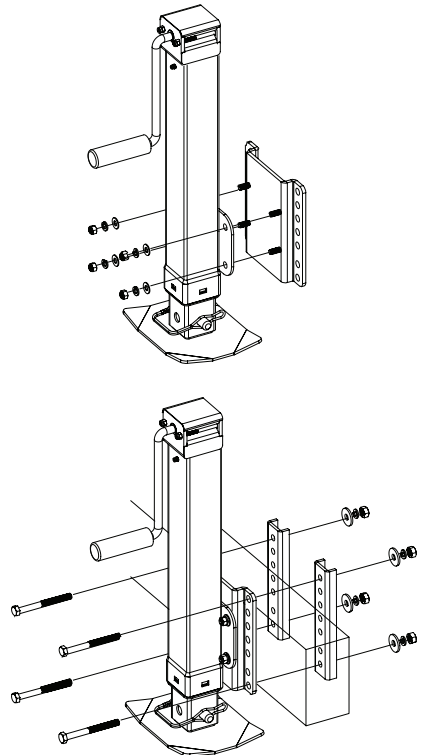


## STJB0011

**Step 1:** Insert the mounting bracket through the mounting plate. Secure with washers and locking nut.

**Step 2:** Place the mounting bracket onto an 8 inch clearing on your frame. Secure with the four included bolts at desired height.

**WARNING** The mount bracket is only to be installed on trailer frames that are rectangular in profile. Cylindrical frames are not compatible with the mount bracket.





# OPERATING INSTRUCTIONS

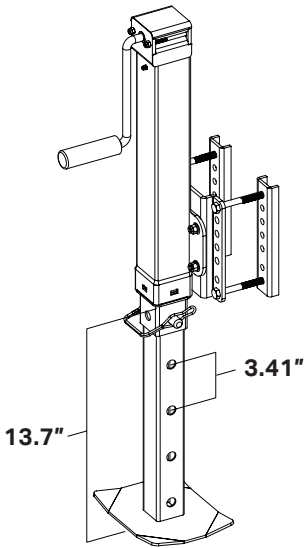
## USING THE DEVICE

**A.** Remove the security pin to release the drop leg to the ground. Re-insert the pin to secure the leg in the lowest possible position.

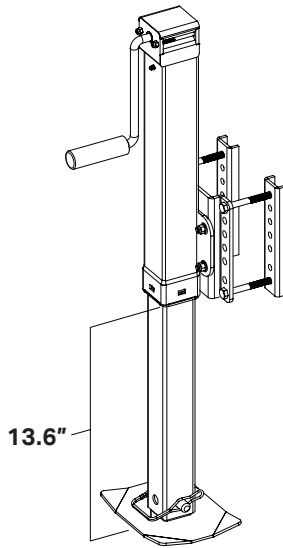
**B.** Crank the jack handle to raise the trailer to desired height.

**C.** If secured to a tow vehicle, crank the jack to fully retract. Then remove the pin to retract the drop leg fully before re-fastening the leg with the pin. Ensure the security pin is properly locked prior to moving tow vehicle.

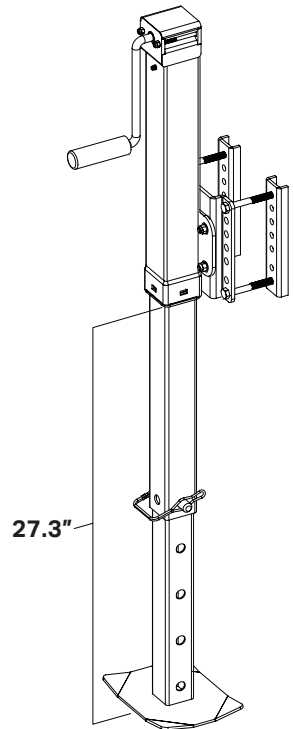
**A.** Drop Leg Extension



**B.** Jack Extension



**C.** Full Extension



## STORING THE DEVICE

After use, lower your jack until your trailer frame sits level. If storing, ensure that the trailer frame is jacked to level height.



# LIMITED MANUFACTURER'S WARRANTY

SuperTech S Corp warrants for one year from the purchase date that the product will be in working condition and will be free from manufacturing defects, provided that installation and use of the product are in accordance with product instructions. This warranty is only applicable to the original consumer purchaser and is non-transferable.

**ALL OTHER WARRANTIES IMPLIED OR EXPRESSED ARE HEREBY DISCLAIMED.**

**THIS WARRANTY DOES NOT COVER:**

1. Normal wear and tear or normal aging of the product;
2. Consumable parts designed to diminish over time, unless failure occurred due to a manufacturing defect;
3. Cosmetic damage, including but not limited to, scratches and dents;
4. Damage through accident, abuse, neglect, misuse, natural events, or other external causes;
5. Damage through misapplication, overloading, or improper installation;
6. Damage due to improper maintenance and repair; and/or
7. Product alterations.

**LIMITATION OF LIABILITY:**

EXCEPT AS PROVIDED IN THIS WARRANTY AND TO THE MAXIMUM EXTENT PERMITTED BY LAW, SUPERTECH IS NOT RESPONSIBLE FOR ANY DIRECT, INCIDENTAL, CONSEQUENTIAL DAMAGES, OR INJURIES RESULTING FROM ANY BREACH OF WARRANTY OR CONDITION; INCLUDING, BUT NOT LIMITED TO, LOSS OF USE, LOSS OF REVENUE, LOSS OF ACTUAL OR ANTICIPATED PROFITS, LOSS OF BUSINESS, LOSS OF OPPORTUNITY, LOSS OF GOOD WILL, LOSS OF REPUTATION, OR ANY DIRECT, INDIRECT, OR CONSEQUENTIAL LOSS OR DAMAGE WHATSOEVER CAUSED, INCLUDING THE REPLACEMENT OF EQUIPMENT AND PROPERTY.

**CUSTOMER RESPONSIBILITIES:**

Customers may be required to provide proof of purchase date, respond to questions designed to assist with diagnosing potential issues, and follow Trailer Valet's directions to make a claim on your warranty.

**TO MAKE A WARRANTY CLAIM:**

Contact us either through:  
PHONE: (844) 846-9344  
EMAIL: [support@trailervalet.com](mailto:support@trailervalet.com)  
WEBSITE: [www.trailervalet.com](http://www.trailervalet.com)

**TRAILER VALET SHALL HAVE THE EXCLUSIVE RIGHT TO DETERMINE IF A UNIT IS COVERED UNDER ITS LIMITED MANUFACTURER'S WARRANTY.**

**SEVERABILITY:**

The invalidity, illegality, or unenforceability of any provision of this warranty shall not render the other provisions invalid, illegal, or unenforceable.

**GOVERNING LAW AND JURISDICTION**

This warranty shall be governed by the laws of the State of California. The courts of California shall have the exclusive right to adjudicate any disputes arising under or in connection to this warranty.

Copyright 2023 by Supertech S. Corporation. All rights reserved. No portion of this manual or any artwork contained herein may be reproduced in any shape or form without the express written consent of Supertech S. Corporation.



For further information or if you have any questions, please contact:

**SUPERTECH S. CORP.**  
Customer Service: (844) 846-9344  
Email: [support@trailervalet.com](mailto:support@trailervalet.com)  
[WWW.TRAILERVALET.COM](http://WWW.TRAILERVALET.COM)