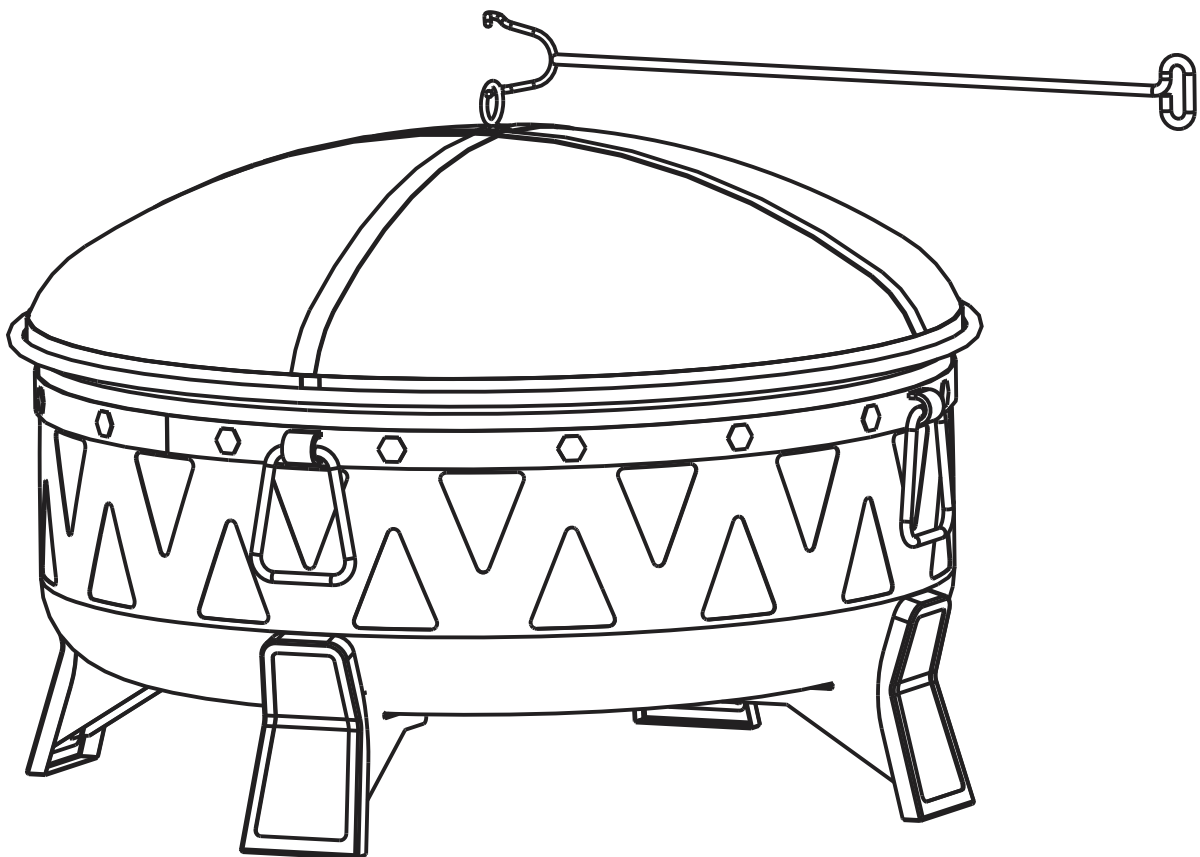




FIRE PIT

MODEL #SRFP11354



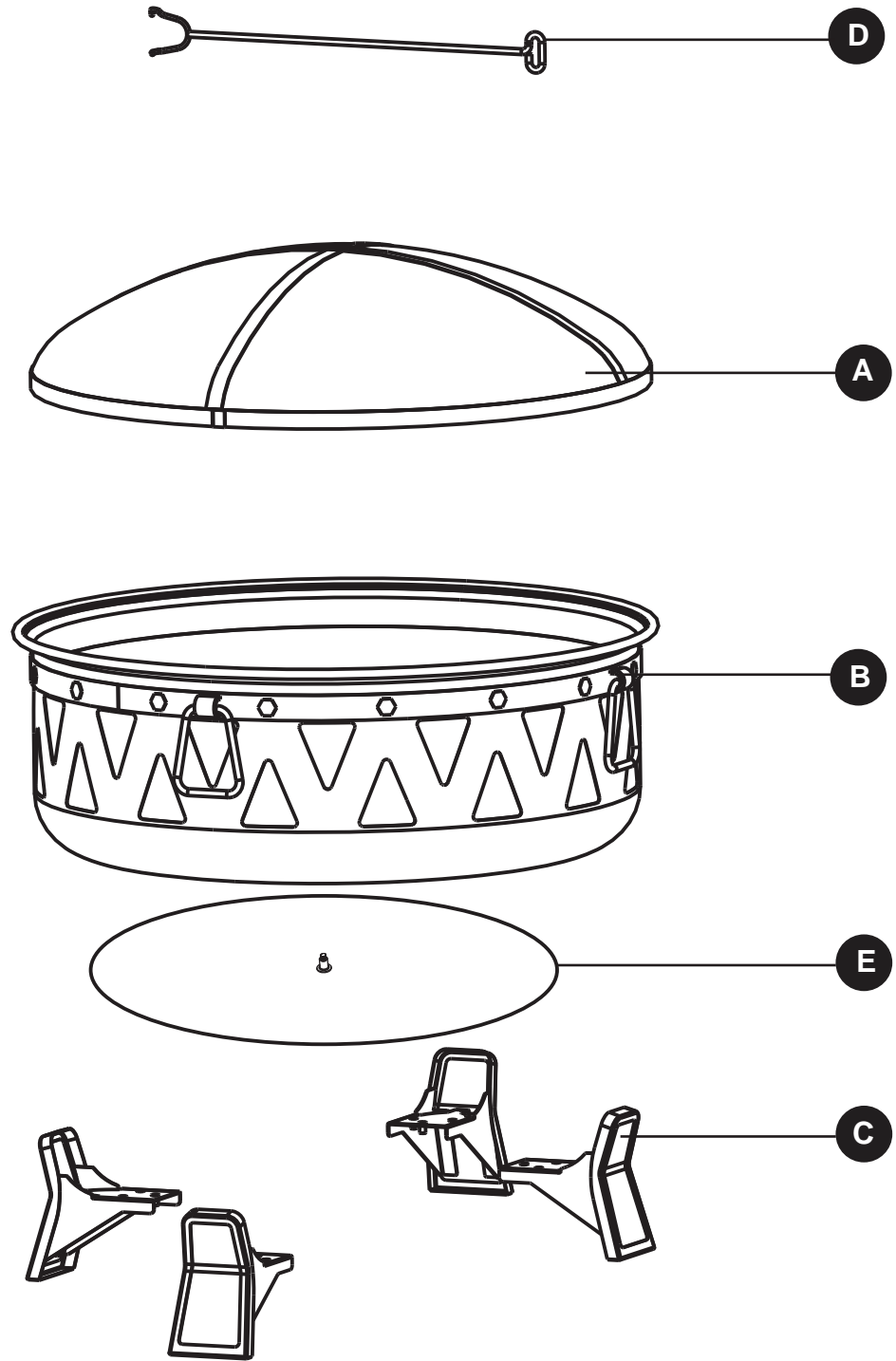
ATTACH YOUR RECEIPT HERE

Serial Number _____ Purchase Date _____



Questions, problems, missing parts? Before returning to your retailer, call our customer service department at 1-888-909-3888, 7:30 a.m. - 4:30 p.m., PST, Monday - Friday. or email to customerservice@shinerich.us

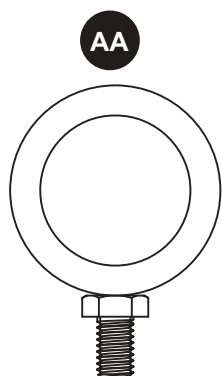
PACKAGE CONTENTS



PART	DESCRIPTION	QUANTITY
A	Screen	1
B	Fire bowl	1
C	Leg	4

PART	DESCRIPTION	QUANTITY
D	Screen hook	1
E	Heat shield	1

HARDWARE CONTENTS (shown actual size)



M6 Ring Screw
Qty. 1



M6 Flange Nut
(Preassembled
to M6 Ring
Screw (AA))
Qty. 1



M5 x 12 mm Bolt
Qty. 12

SAFETY INFORMATION

Please read and understand this entire manual before attempting to assemble, operate or install the product.

WARNING:

- FOR OUTDOOR USE ONLY.
- Do not use the fire pit indoors. Carbon monoxide fumes, due to lack of ventilation, can cause death.
- Do not use gasoline or kerosene to start fires in the fire pit. Keep all flammable liquids away from the fire pit.
- This unit is designed to burn charcoal and untreated wood only. Fill the bottom of the bowl with sand until the surface of sand is 0.2 inches below the crossbar.
- Do not use under or on combustible structures/surfaces including wooden decks.
- Use protective gloves and long-handled tools with this fire pit.
- Dispose of packaging materials properly.
- Keep children away from hot fire pit.
- Fire pit remains very hot for a period of time after using.
- Be sure fire pit is cool before attempting to move it.
- Do not burn more than 1.6 lbs. of charcoal or 3 lbs. of untreated wood at one time.
- The handles of the tools may become hot during and after use. The fire pit should be placed no closer than 24 in. from walls during use.

CAUTION: Assemble the fire pit on a non-abrasive surface.

CALIFORNIA PROPOSITION 65 WARNING

Fuels used in wood or charcoal burning appliances, and the products of combustion of such fuels, contain chemicals known to the State of California to cause cancer and birth defects or other reproductive harm.

This product can expose you to chemicals including carbon monoxide and carbon black, which are known to the State of California to cause cancer and birth defects or other reproductive harm. For more information go to www.P65Warnings.ca.gov

PREPARATION

Before assembling product, make sure all parts are present. Compare parts with package contents list and hardware contents list. If any part is missing or damaged, do not attempt to assemble the product.

Estimated Assembly Time : 10 minutes

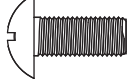
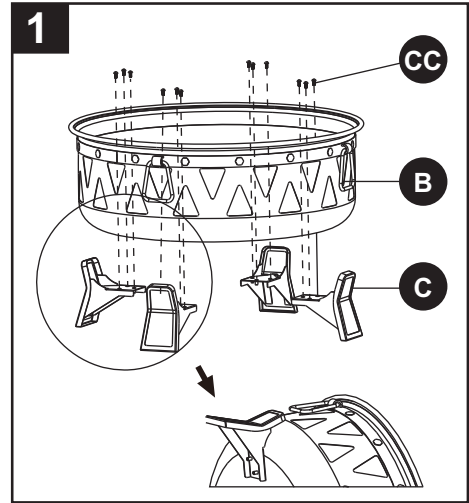
Tools required for assembly (not included) : Phillips screwdriver

ASSEMBLY INSTRUCTIONS

1. Attach legs (C) to fire bowl (B) with M5 x 12 mm bolts (CC).

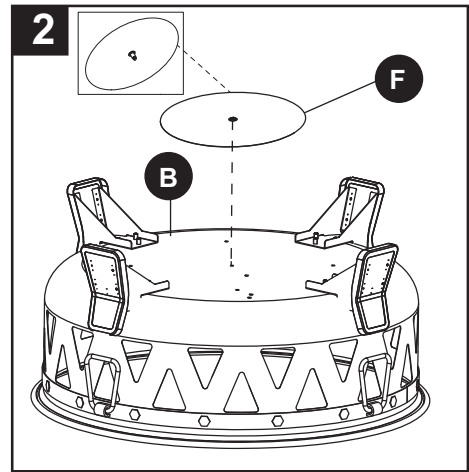
Hardware Used

CC M5 x 12 mm Bolt x 12

2. Turn the fire bowl (B) upside down. Insert the preassembled bolt in heat shield (F) into the preassembled rivet nut on fire bowl (B), tightening with a Phillips screwdriver (not included).

WARNING: Heat shield (F) is thin. Please be careful when you assemble it to protect from the cuts.

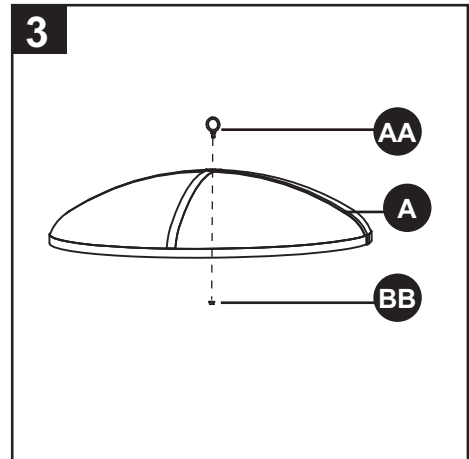
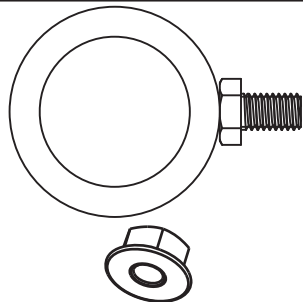


3. Remove M6 flange nut (BB) from M6 ring screw (AA). Attach M6 ring screw (AA) to the top of the screen (A) with M6 flange nut (BB).

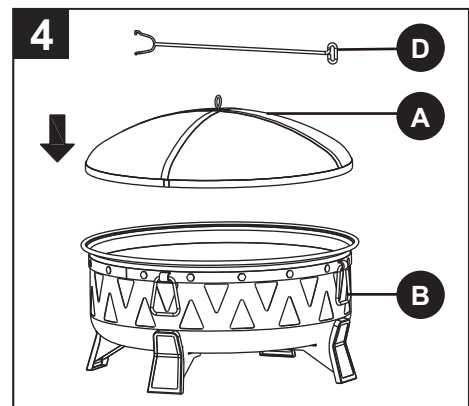
Hardware Used

AA M6 Ring Screw x 1

BB M6 Flange Nut x 1



4. Place screen (A) and screen hook (D) on top of fire bowl (B).



CARE AND MAINTENANCE

Inspecting

Inspect this fire pit on a regular basis to ensure product safety and longer product life.

DO NOT attempt to inspect this outdoor fire pit until the fire is COMPLETELY out and cooled down.

- Check handles to make sure they are secure.
- Check components for any signs of damage or rust.
- If any component is damaged, do not operate until repairs are made.

Cleaning

Clean this outdoor fire pit on a regular basis to promote safer use and longer product life.

Note: After repeated use, the finish may discolor slightly.

DO NOT attempt to clean this outdoor fire pit until the fire is COMPLETELY out and cooled down.

DO NOT use oven cleaner or abrasive cleaners as they will damage this product.

DO NOT clean any part of this outdoor fire pit in a self-cleaning oven as it may damage this finish.

- Wipe exterior surfaces with a mild dishwashing detergent or baking soda.
- For stubborn surfaces, use a citrus-based degreaser and a nylon scrubbing brush.
- Rinse clean with water.
- Remove built-up creosote from components with a chimney cleaning product.

Storage

DO NOT move or store this outdoor fire pit until the fire is COMPLETELY out and cooled down.

- Once the fire is out, coals are cold and outdoor fire pit is cool to touch, remove ashes and properly dispose.
- Store assembled in a location away from children and pets.

Note: If you do not use, store this outdoor fire pit in a dry location to maximize product life.

ONE-YEAR LIMITED WARRANTY

The item has been manufactured under the highest standards of quality and workmanship.

We warrant to the original consumer/purchaser that all aspects of this product will be free of defects in material and workmanship for one (1) year from the date of purchase. A replacement for any defective part will be supplied free of charge for installation by the consumer. Defects or damage caused by the use of other than genuine parts are not covered by this warranty.

This warranty shall be effective from the date of purchase as shown in the purchaser's receipt.

For warranty service, call 1-888-909-3888, 7:30 a.m. - 4:30 p.m., PST, Monday - Friday.

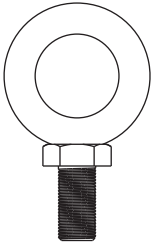
This warranty is valid for the original consumer/purchaser only and excludes industrial, commercial or business use of the product, product damage due to shipment or failure which results from alteration, product abuse, or product misuse, whether performed by a contractor, service company, or consumer. We will not be responsible for labor charges and/or damage incurred in installation, repair or replacement, nor for incidental or consequential damage.

This warranty gives you specific rights, and you may also have other rights that vary from state to state.

REPLACEMENT PARTS LIST

PART	DESCRIPTION
AA	M6 Ring Screw
BB	M6 Flange Nut
CC	M5 x 12 mm Bolt
A	Screen
C	Leg

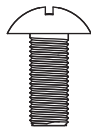
AA



BB



CC



A



C

