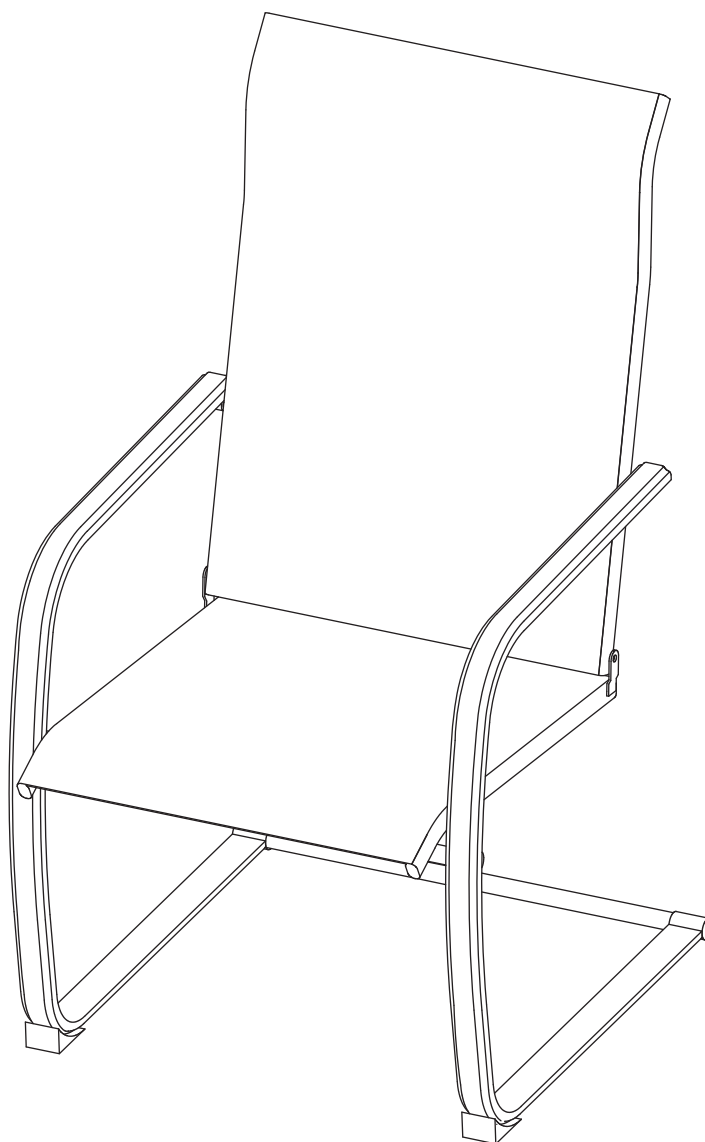


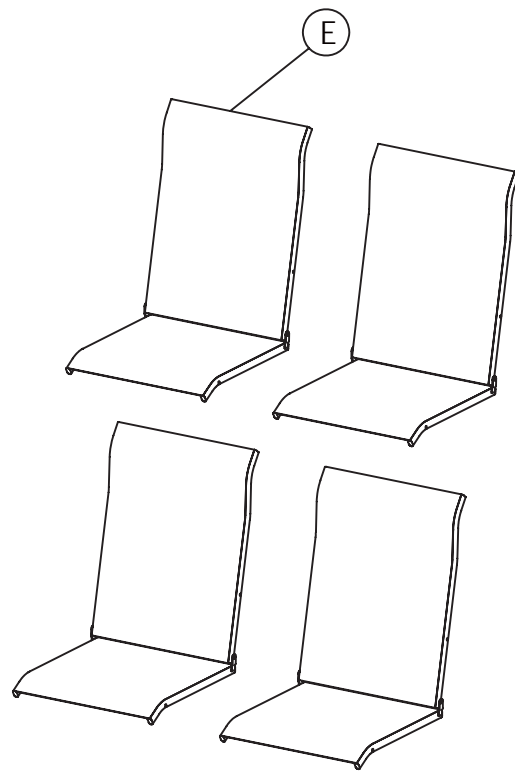
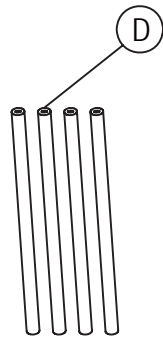
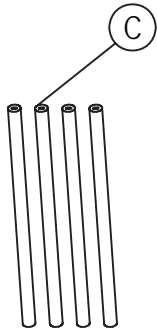
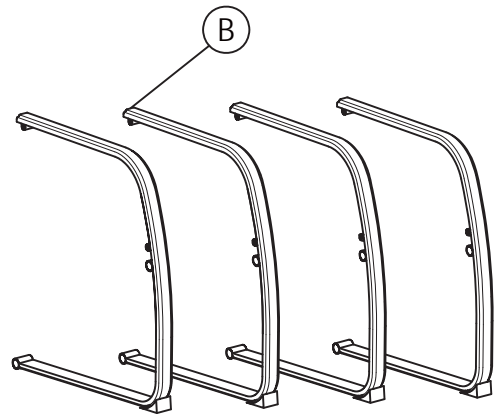
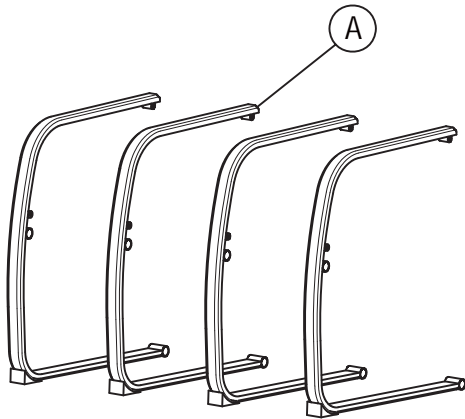
C-Spring Sling Chair

(4pcs / Set)









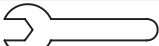


Questions, problems, missing parts? Before returning to your retailer, please send an e-mail to customerservice@shinerich.us

TOOLS AND PARTS



ITEM	DESCRIPTION	QTY
A	Armrest of Right Chair	4
B	Armrest of Left Chair	4
C	Front Prop	4
D	Rear Prop	4
E	Seat and Backrest	4

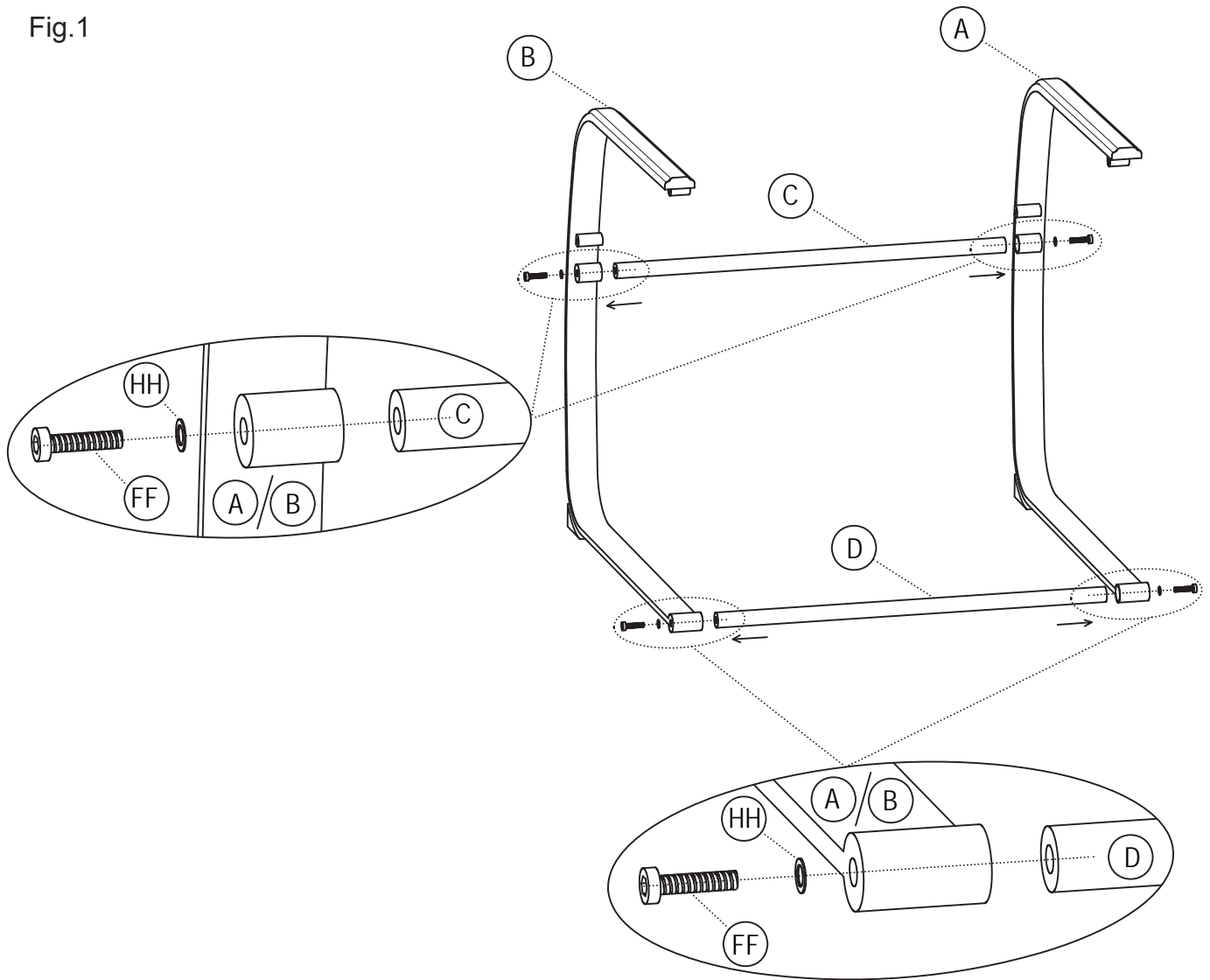
ITEM	DESCRIPTION	QTY	FIG
FF	Hexagon socket bolt M6x20	16	 
GG	Hexagon socket bolt M6x50	16	 
HH	Plain washer 12x6.5x0.8	48	
II	Self locking nut M6	16	 
JJ	Inner Hexagon Spanner M6	1	
KK	Hexagon Open end Wrench M6	1	





CHAIR ASSEMBLY INSTRUCTION

Step 1

Attach armrest of right chair (A) and armrest of left chair (B) with front prop (C) and rear prop (D) by (4) hexagon socket bolts M6x20 (FF) and (4) plain washers 12x6.5x0.8 (HH), using inner hexagon spanner M6 (JJ) as Fig.1. Please do not tighten at this time.

Fig.1



ITEM	DESCRIPTION	QTY	FIG
FF	Hexagon socket bolt M6x20	4	 
HH	Plain washer 12x6.5x0.8	4	
JJ	Inner Hexagon Spanner M6	1	

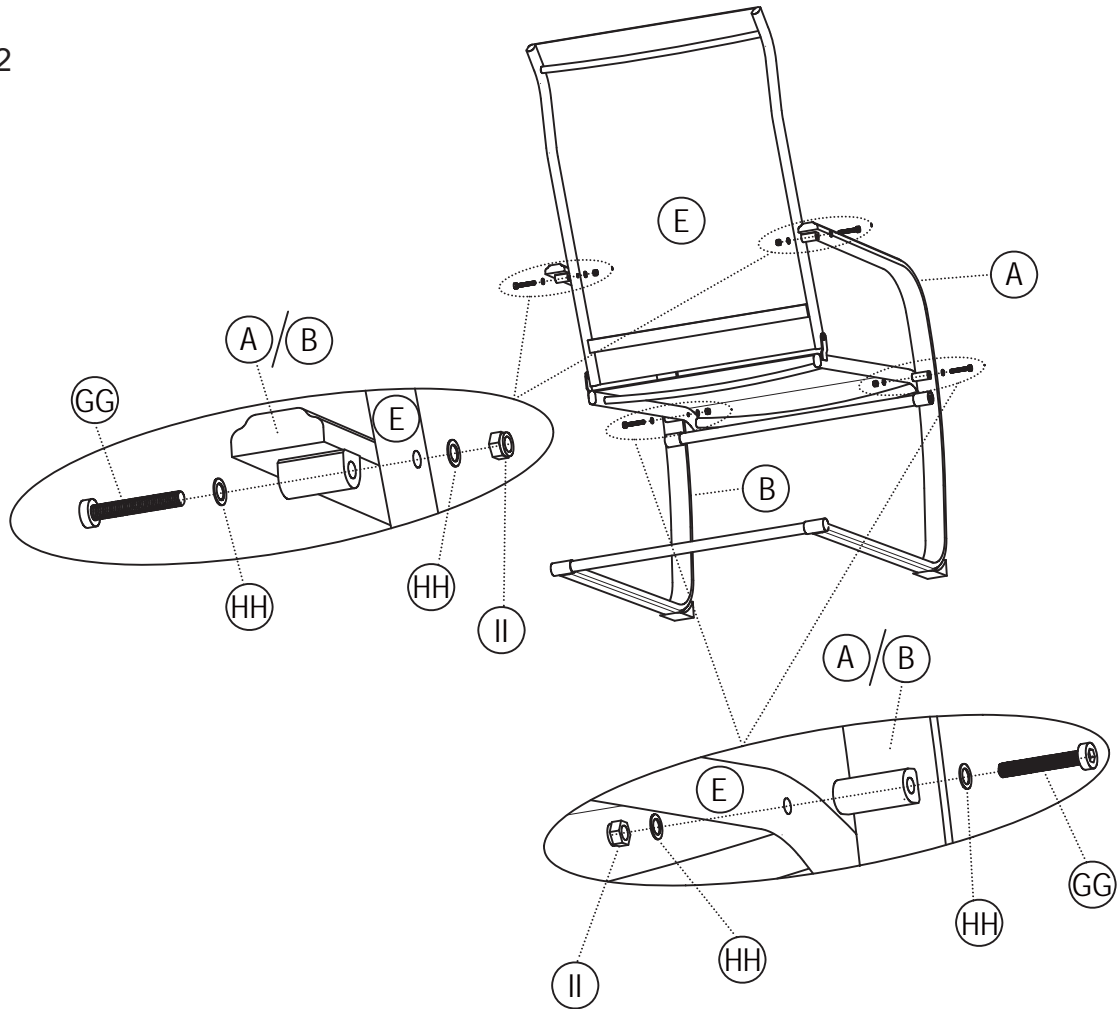
CHAIR ASSEMBLY INSTRUCTION

Step 2

Attach armrest of right chair (A) and armrest of left chair (B) with seat and backrest (E) by (4) hexagon socket bolts M6x50 (GG), (8) plain washers 12x6.5x0.8 (HH) and (4) self locking nuts M6 (II), using inner hexagon spanner M6 (JJ) as Fig. 2.

After placing the chair upright please tighten all screws with the Hexagon open end wrench M6 (KK) as Fig. 2 shows.

Fig. 2



ITEM	DESCRIPTION	QTY	FIG
GG	Hexagon socket bolt M6x50	4	
HH	Plain washer 12x6.5x0.8	8	
II	Self locking nut M6	4	
JJ	Inner Hexagon Spanner M6	1	
KK	Hexagon Open end Wrench M6	1	

REMARK

