



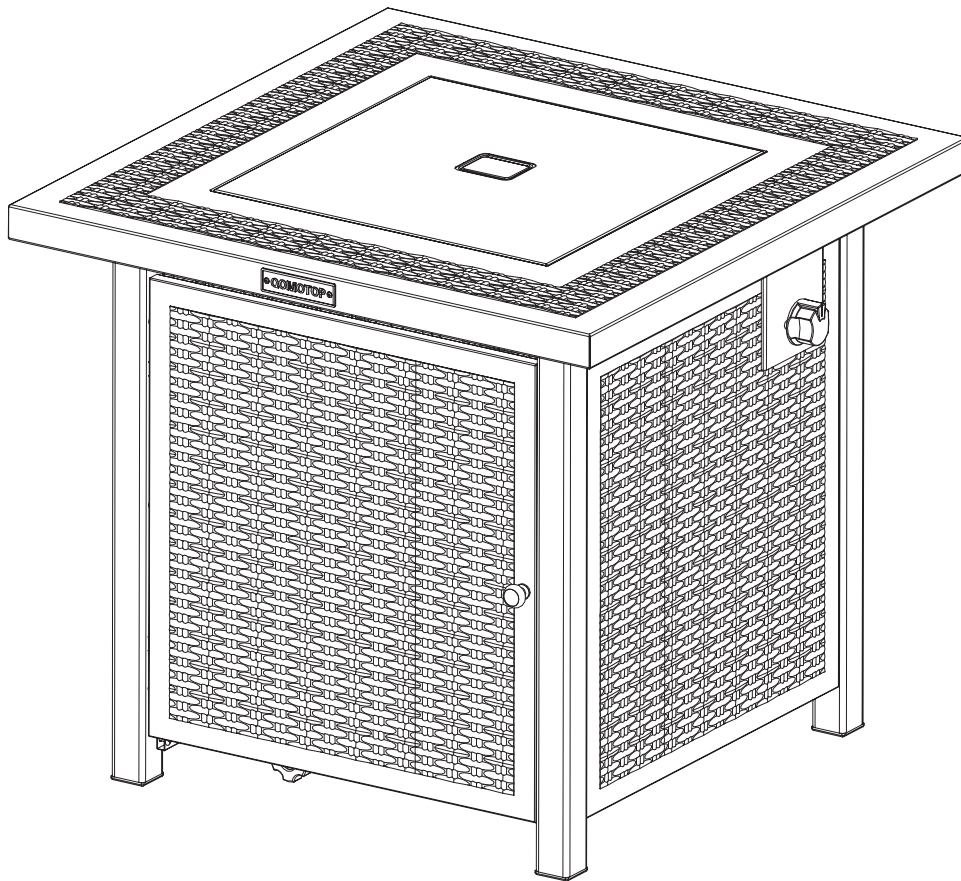
**QOMOTOP**

BUILT FOR YOU

## 28 in Square Gas Fire Pit

Model No.: GFP02T

Supplier Model No.: SRGF11626



## WARNINGS AND CAUTIONS

Read the instructions before use. This appliance must be installed in accordance with such regulations as are enforced.



### DANGER

If you smell gas:

1. Shut off gas to the appliance.
2. Extinguish any open flame.
3. If odor continues, keep away from the appliance and immediately call your gas supplier or fire department.



**WARNING:** For Outdoor Use Only.



### WARNING

Do not store or use gasoline or other flammable vapors and liquids in the vicinity of this or any other appliance.

An LP-cylinder not connected for use shall not be stored in the vicinity of this or any other appliance.

### CAUTION:

Installer: Leave the instruction manual to the user for future use.  
Consumer: Please keep this manual for future reference.



### DANGER



### CARBON MONOXIDE HAZARD

This appliance can produce carbon monoxide which has no odor.

Using it in an enclosed space can kill you.

Never use this appliance in an enclosed space such as a camper, tent, car or home.

**WARNING:** Improper installation, adjustment, alteration, service or maintenance can cause injury or property damage. Read the installation, operation and maintenance instructions thoroughly before installing or servicing this equipment.

### WHAT TO DO IF YOU SMELL GAS?

- Do not try to light the appliance.
- Do not touch any electrical switch; do not use any phone in the vicinity of this product.
- Immediately call your gas supplier from a neighbor's phone. Follow the gas supplier's instructions.
- If you cannot reach your gas supplier, call the fire department.

Installation and service must be performed by a qualified installer, service agency or gas supplier.

## WARNINGS AND CAUTIONS

### NOTE: PLEASE READ THE FOLLOWING SAFETY RULES

#### WARNING:

The installation must conform with local codes or, in the absence of local codes, with the CAN/CGA-B 149.2, Propane Installation Code.

This appliance requires 20 lb (9 kg) LP gas supply cylinder.

The burner must be replaced prior to the appliance being put into operation if it is evident that the burner is damaged. The replacement burner shall be that specified by the manufacturer.

**Installation and repair should be done by a qualified service person. The appliance should be inspected before use and at least annually by a qualified service person. More frequent cleaning may be required as necessary. It is imperative that control compartment, burners, and circulating air passageways of the appliance be kept clean.**

Always place the appliance on a firm and level surface.

Do not burn solid fuels in this gas appliance.

Use the appliance outdoors in a well-ventilated space only, not in a building, garage, or any other enclosed area.

When using the appliance, keep the appliance area clear and at least 50 inches from combustible materials, gasoline and other flammable liquid and vapors. Certain items or materials, when stored under the appliance or nearby, will be subjected to radiant heat and could be seriously damaged.

Inspect the gas connections of appliance prior to each use. Do not operate the unit if there is gas leak. A qualified service person should inspect the appliance annually.

**Alert children and adults to the hazards of high surface temperatures and keep them away to avoid burns or clothing ignition.**

**Carefully supervise children and pets when they are near the appliance.**

**Replace guard or other protective device removed for servicing.**

**Do not hang clothing or other flammable materials on or near the appliance.**

Do not use the appliance if any part has been under water. Immediately call a qualified service technician to inspect the appliance and to replace any part of the control system and any gas control which has been under water.

The LP-gas supply cylinder to be used must be: Constructed and marked in accordance with the Specifications for LP-gas cylinders of the U.S. Department of Transportation (DOT); or the Standard for Cylinders, Spheres and Tubes for Transportation of Dangerous Goods and Commission, CAN/CSA-B339, as applicable.

The LP-gas supply cylinder to be used must be provided with a listed overfilling prevention device; and provided with a cylinder connection device compatible with the connection for the appliance.

Use only a cylinder supply system arranged for vapor withdrawal, and the cylinder must include a collar to protect the cylinder valve.

## WARNINGS AND CAUTIONS

### NOTE: PLEASE READ THE FOLLOWING SAFETY RULES:

Perform a leak test with a soapy solution:

1. To check gas connections.
2. After connecting a new cylinder.
3. Upon re-assembly after disassembly.

This appliance is designed to operate with a standard 20 lb propane cylinder with Approved Cylinder Connection.

### **WARNING:**

This product can expose you to chemicals including lead, which is known to the State of California to cause cancer, and carbon monoxide, which is known to the State of California to cause birth defects or other reproductive harm. For more information, go to: [www.P65Warnings.ca.gov](http://www.P65Warnings.ca.gov).

### SPECIFICATION

Certification	CSA
Rated Heat Input	50000 BTU/HR
Fuel	LP
Gas Supply	20 lb (9 kg) LP gas cylinder
Manifold Pressure	11" W.C.
Injector Size(diameter)	2.22mm
Gas Supply Pressure	Max. 250PSI, Min. 5PSI

Before beginning assembly of product, make sure all parts are present. If any part is missing or damaged, do not attempt to assemble the product. Contact customer service for replacement parts.

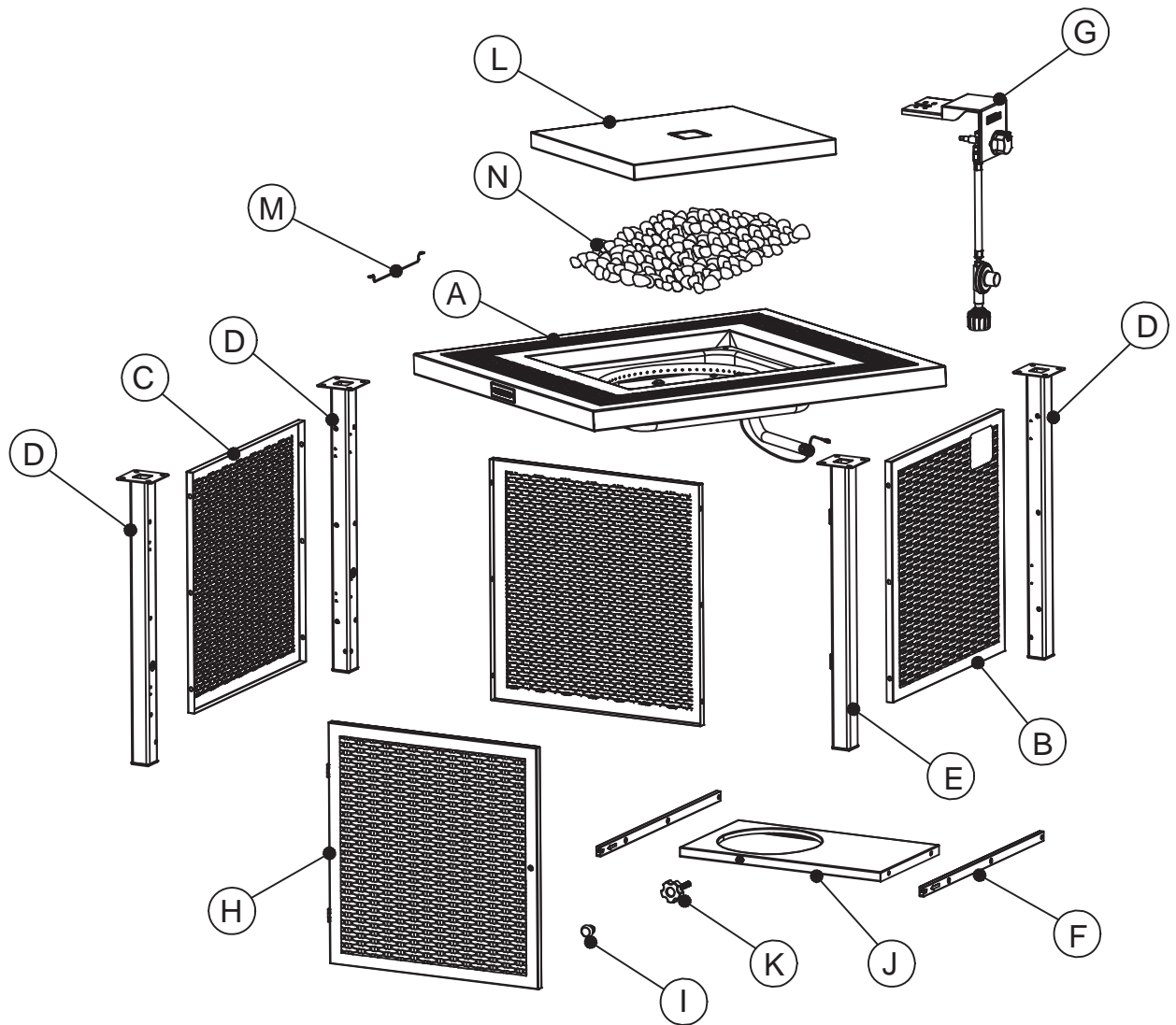
#### REMINDER

##### **BEFORE ASSEMBLY**

- Verify that all parts are included with your gas fire pit BEFORE you begin assembly by checking the Parts and Hardware List. For your convenience, some parts may be pre-assembled or attached to fire pit components.
- If all parts are not included, do not attempt to assemble fire pit. Call the toll free number on the cover page for replacement parts.
- Leave hardware installed HALF-TIGHTENED on the gas fire pit during assembly until unit is completely assembled, then finish tightening all hardware installed.

##### **YOUR OWNER'S MANUAL**

- Keep and store this Owner's Manual for future reference – it contains important instructions and procedures for safety and maintenance.



**TOOLS NEEDED: (NOT INCLUDED)**

Screwdriver

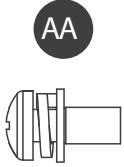
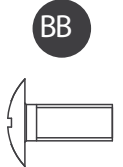
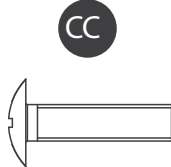
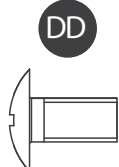



**Estimated time for assembly: 30-45 minutes.**

PACKAGE CONTENTS

PART	DESCRIPTION	QUANTITY	PART	DESCRIPTION	QUANTITY
A	Table Top	1	H	Door	1
B	Side Panel A	1	I	Door Handle	1
C	Side Panel B	2	J	Cylinder Holder	1
D	Leg	3	K	Cylinder Locking Bolt	1
E	Leg with Door Magnet	1	L	Cover Lid	1
F	Cylinder Holder Pole	2	M	Protecting Wire	1
G	Gas Valve Panel	1	N	Lava Rock	1

HARDWARE CONTENTS (shown actual size)

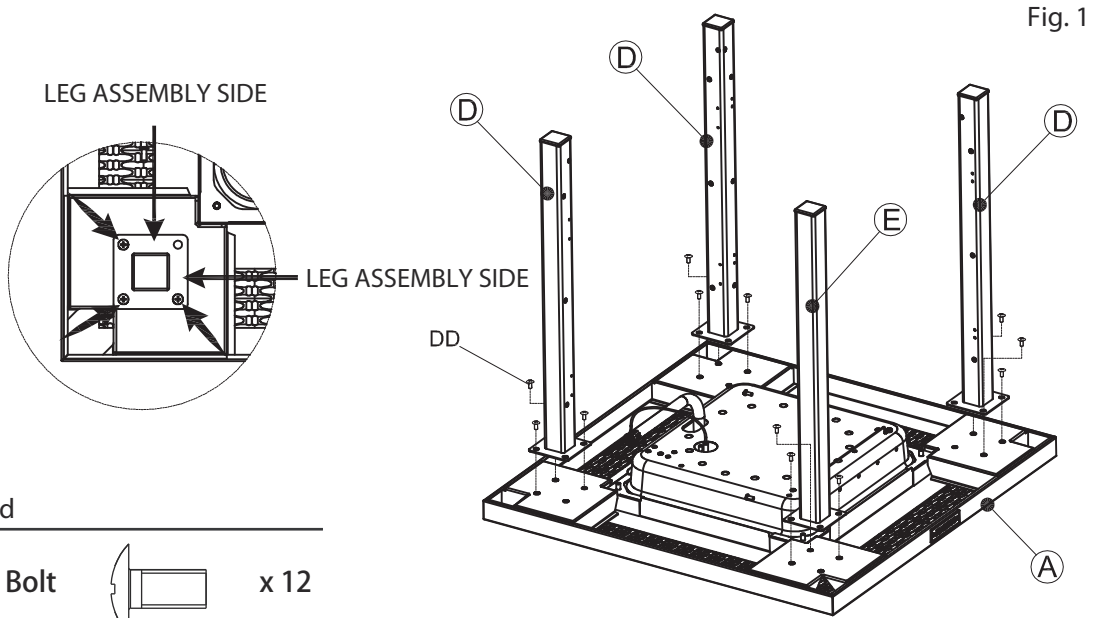
				
<b>M5 x 12 Bolt Assembly</b> Qty. 4	<b>M5 x 12 Bolt</b> Qty. 20	<b>M5 x 20 Bolt</b> Qty. 4	<b>M6 x 12 Bolt</b> Qty. 16	<b>ST4.2 x 9.5 Bolt</b> Qty. 4

# ASSEMBLY INSTRUCTIONS

Choose a good, cleared assembly area and get a friend to help you put your gas fire pit together. Lay cardboard down to protect gas fire pit finish and assembly area.

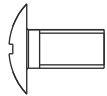
## STEP 1

Attach 3 legs (D) and 1 leg with door magnet (E) to the table top (A) with (12) M6x12 bolts (DD) as Fig. 1.



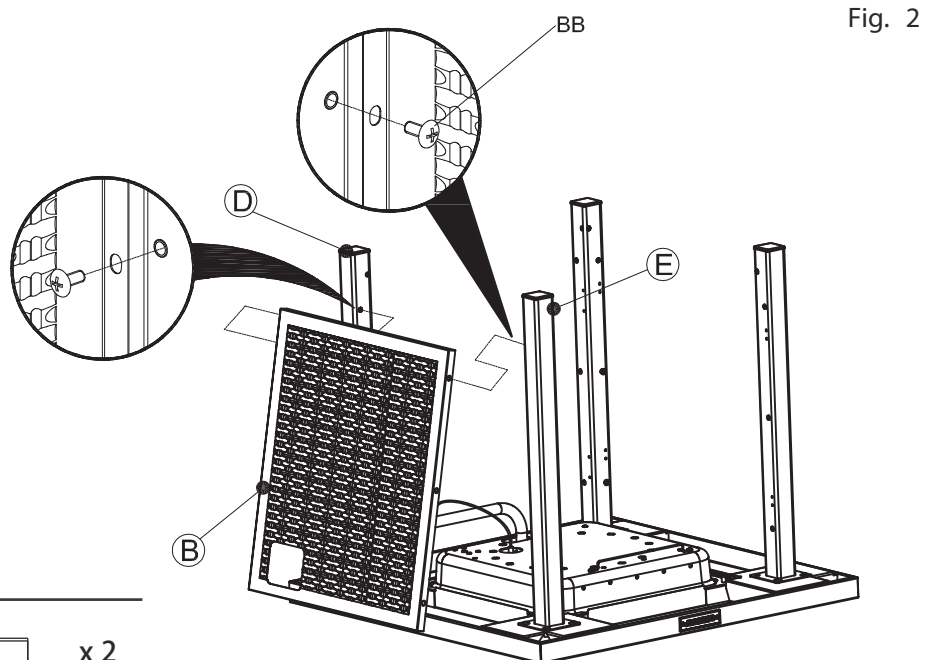
### Hardware Used

DD M6 x 12 Bolt x 12



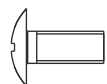
## STEP 2

Attach side panel A (B) to leg with door magnet (E) and leg (D) with (2) M5x12 bolts (BB) as Fig. 2.



### Hardware Used

BB M5 x 12 Bolt x 2



# ASSEMBLY INSTRUCTIONS

## STEP 3

Attach gas valve panel (G) onto side panel A (B), connect it with the fire bowl with (4) M5x12 bolts assembly (AA) as Fig.3. Insert valve into the injection pipe of burner as illustrated. Insert the end of electrode wire into valve as illustrated.

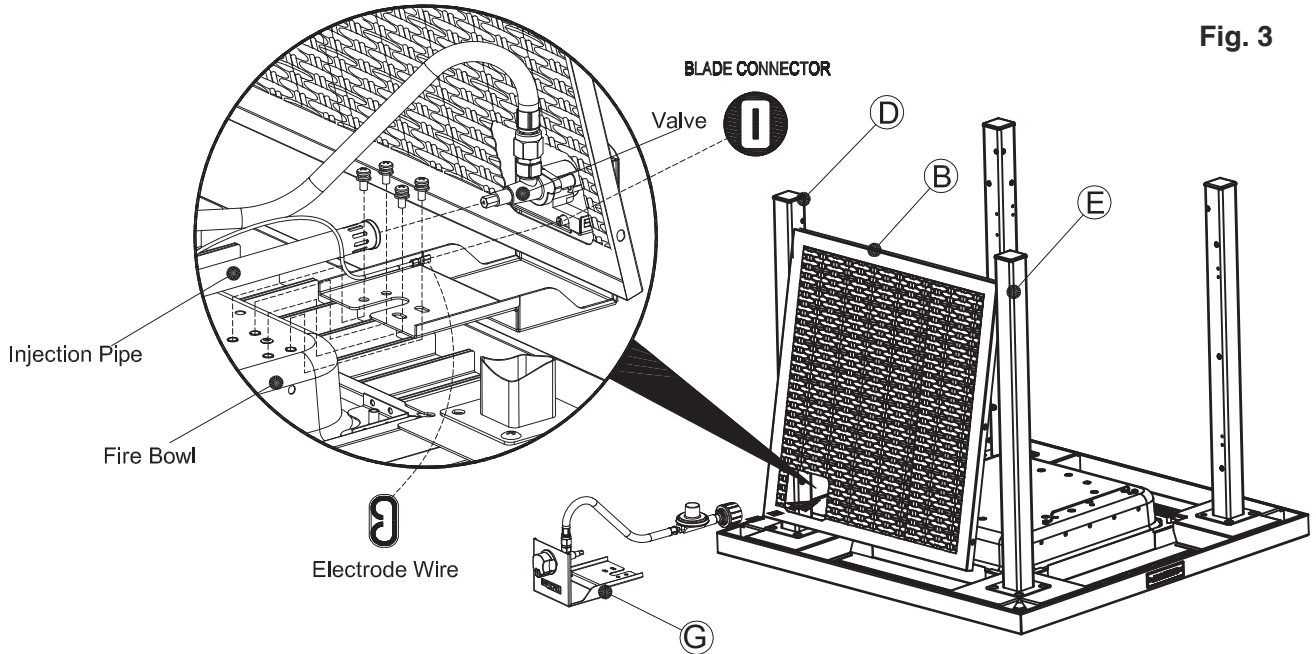
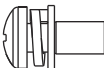


Fig. 3

### Hardware Used

AA M5 x 12 Bolt Assembly  x 4

## STEP 4

Fully attach the side panel A (B) to the legs (D&E) with (4) M5x12 bolts (BB) as Fig.4.

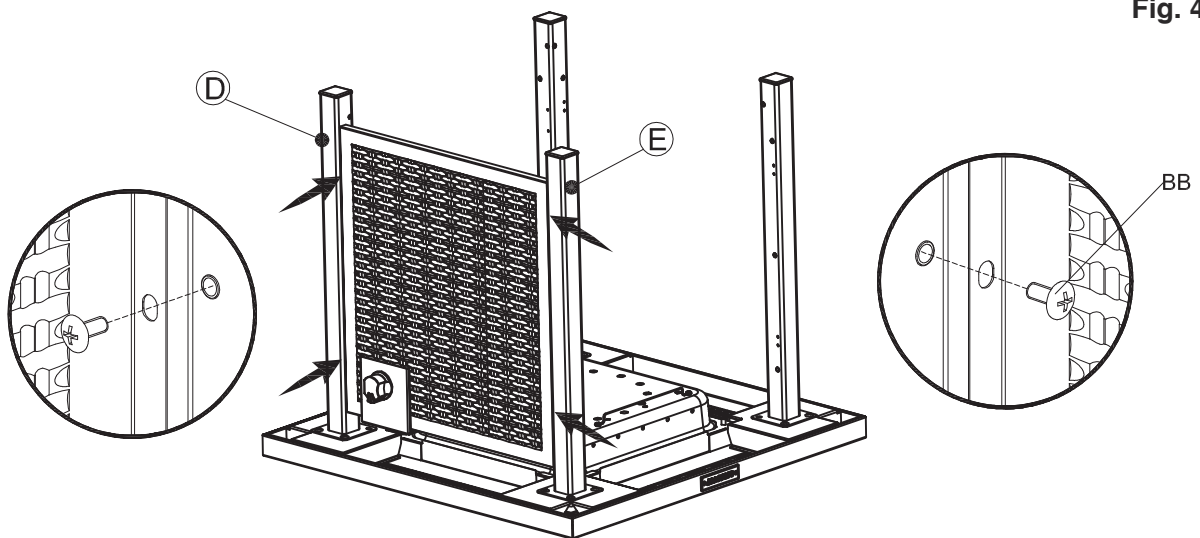
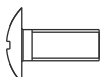


Fig. 4

### Hardware Used

BB M5 x 12 Bolt  x 4



# ASSEMBLY INSTRUCTIONS

## STEP 5

Attach side panel B1 (C) to legs (D) with (6) M5x12 bolts (BB) as Fig. 5.

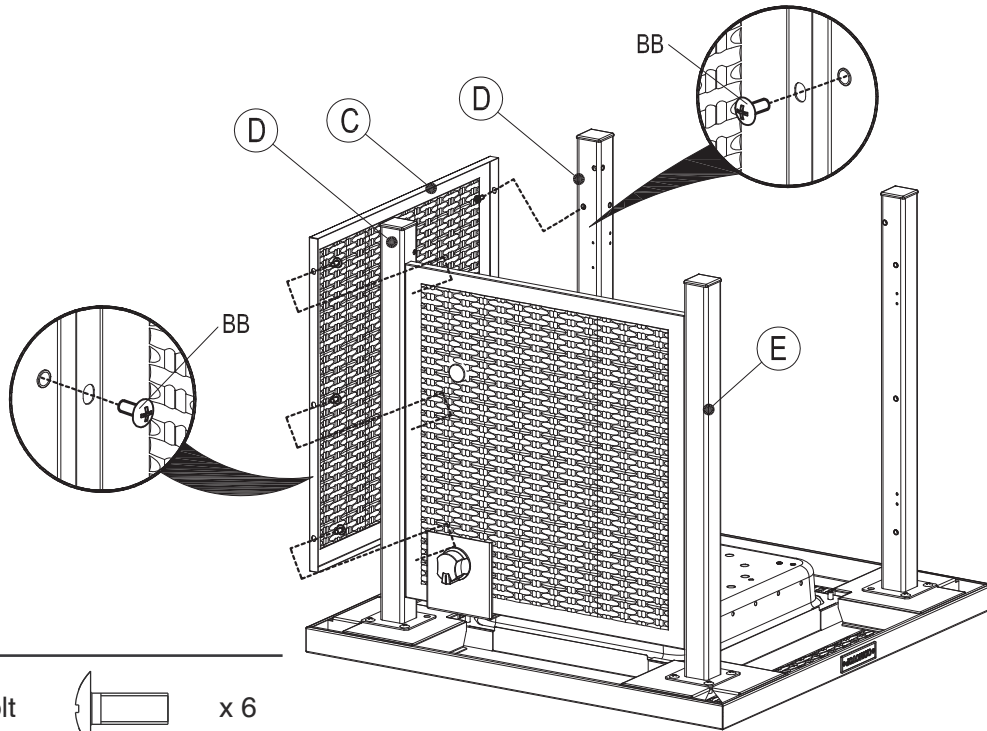


Fig. 5

### Hardware Used

BB M5 x 12 Bolt  x 6

## STEP 6

Attach side panel B2 (C) to legs (D) with (6) M5x12 bolts (BB) as Fig. 6.

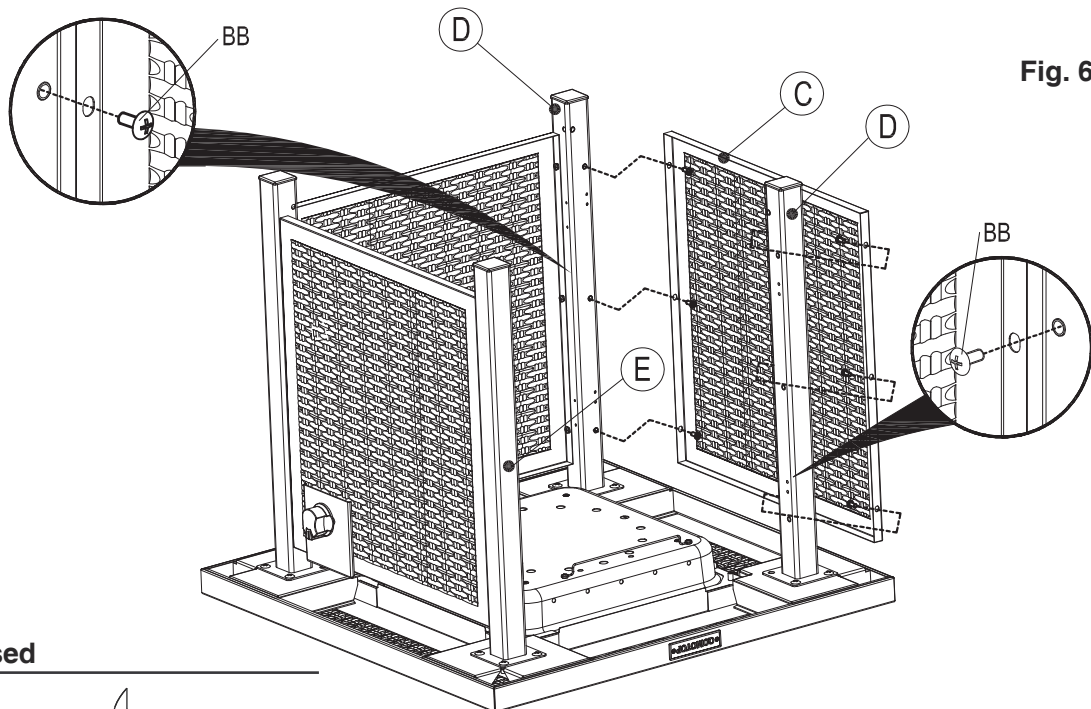



Fig. 6

### Hardware Used

BB M5 x 12 Bolt  x 6

# ASSEMBLY INSTRUCTIONS

## STEP 7

Attach cylinder holder poles (F) to cylinder holder (J) with (4) M6x12 bolts (DD) and then screw cylinder locking bolt (K) to cylinder holder (J) as Fig. 7.

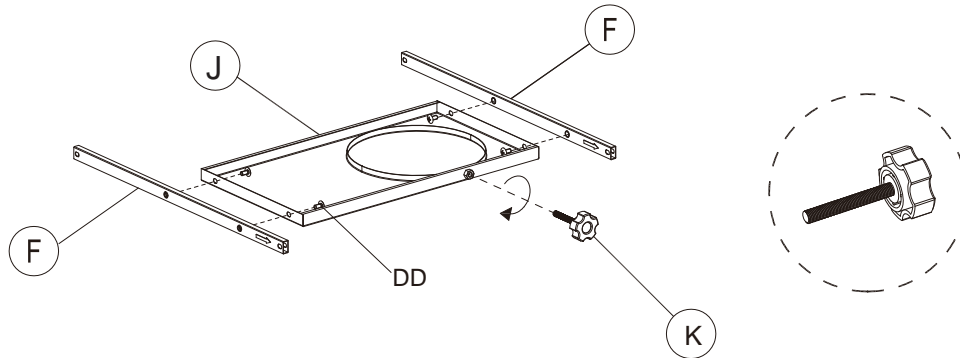


Fig. 7

### Hardware Used

DD M6 x 12 Bolt  x 4

## STEP 8

Attach the cylinder holder assembly to 4 legs with (4) M5x20 bolts (CC) as Fig. 8.  
Note: Make sure the cylinder locking bolt (K) plastic head is facing outwards.

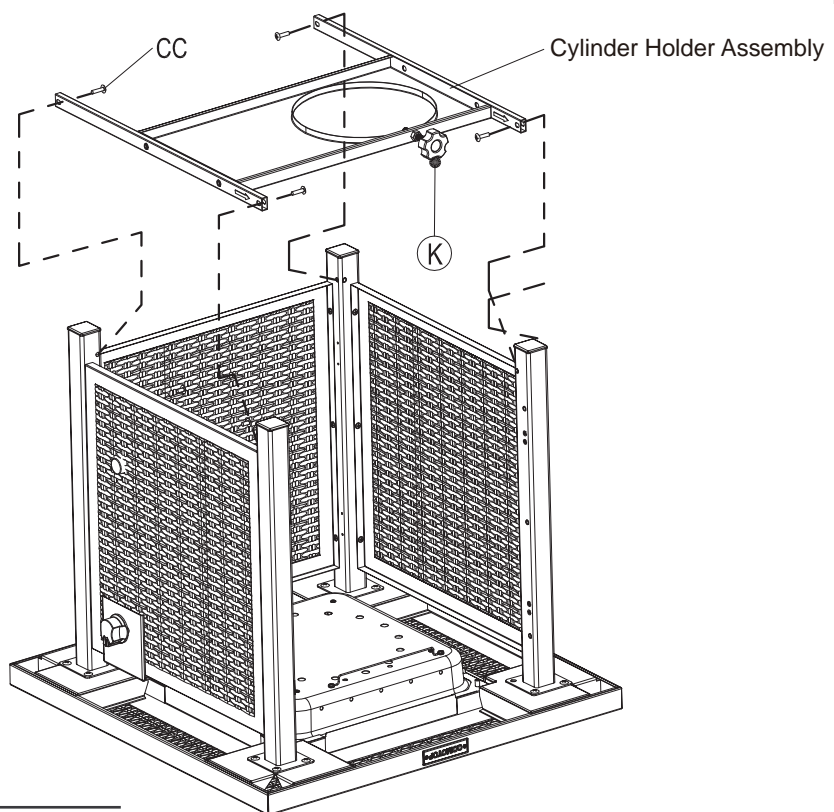


Fig. 8

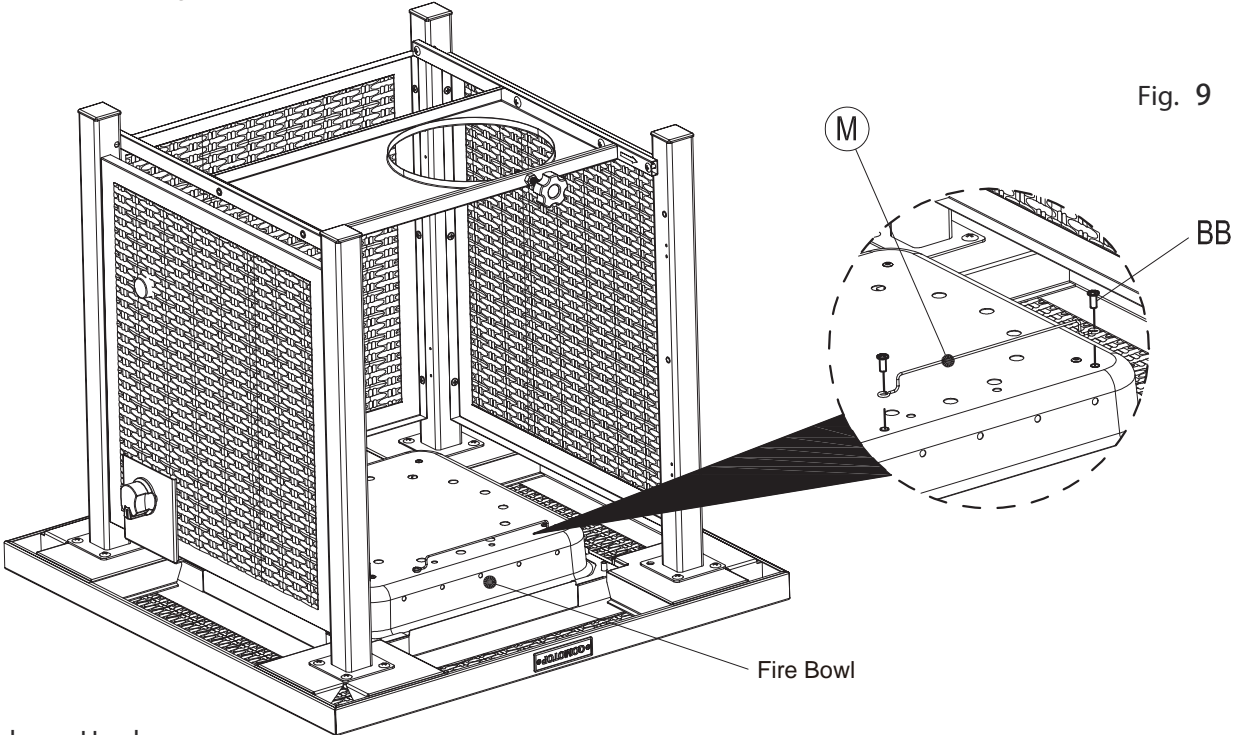
### Hardware Used

CC M5 x 20 Bolt  x 4

# ASSEMBLY INSTRUCTIONS

## STEP 9

Attach a protecting wire (M) on the bottom of fire bowl with (2) M5x12 bolts (BB), to avoid touching with hot fire bowl as Fig. 9.

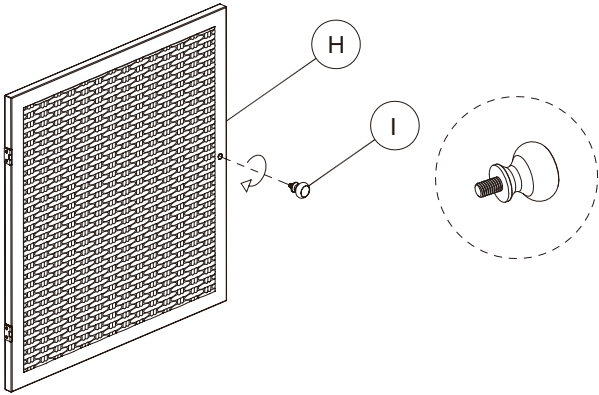


### Hardware Used

- BB M5 x 12 Bolt  x 2

## STEP 10

Screw door handle (I) to door (H) as Fig.10.

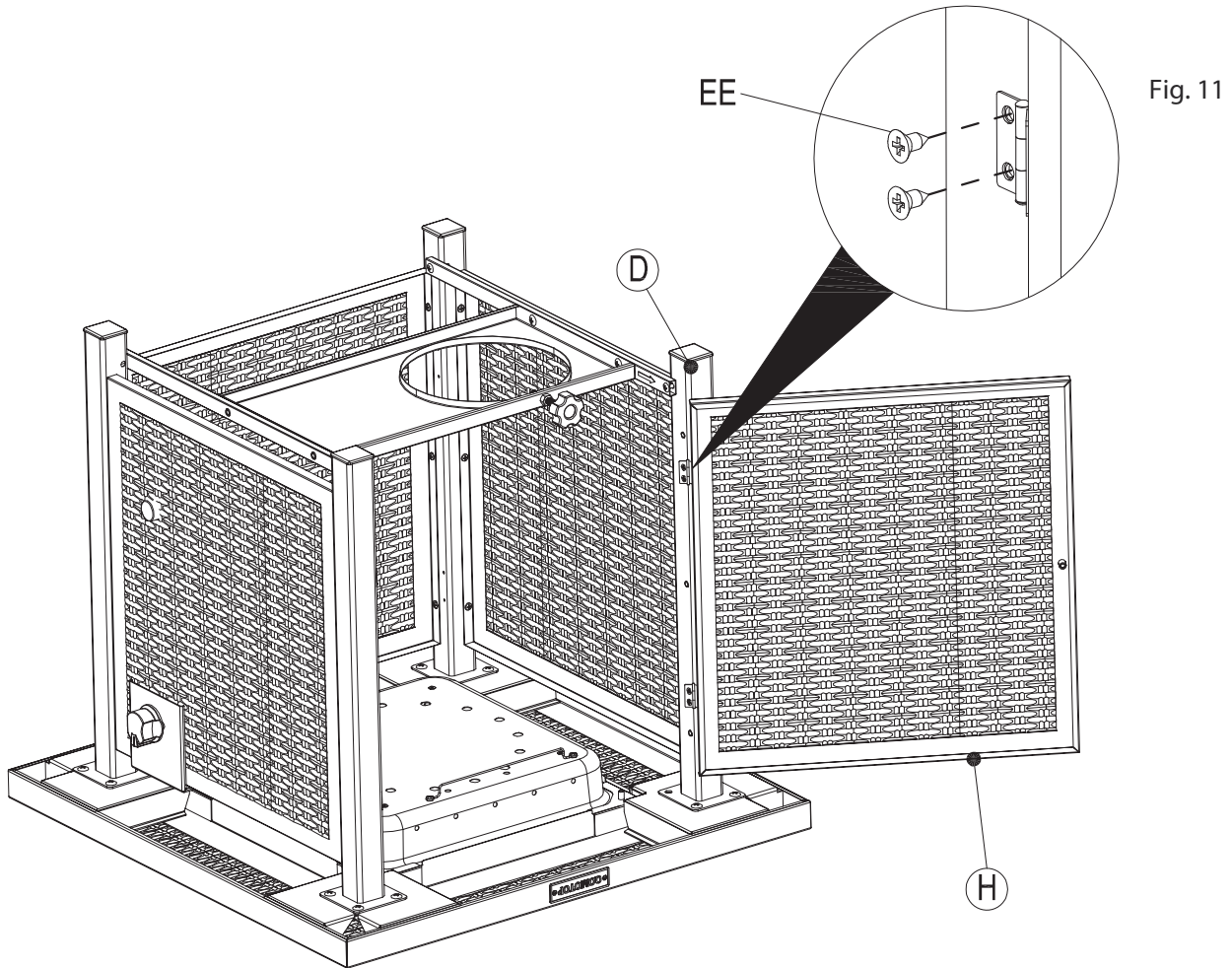


# ASSEMBLY INSTRUCTIONS

## STEP 11

Attach door (H) to front right leg (D) assembly with (4) ST4.2x9.5 bolts (EE) as Fig.11.

Note: With the help of a friend, turn the gas fire pit into upright position after this step finished.



### Hardware Used

EE ST4.2 x 9.5 Bolt  x 4

# ASSEMBLY INSTRUCTIONS

## STEP 12

Put the lava rocks (N) into the burning area of the table top (A).  
Place the cover lid (L) onto the table top (A) when the gas fire pit is not in use.  
Note: to avoid ignition failure, do not cover the flame orifice with lava rocks.

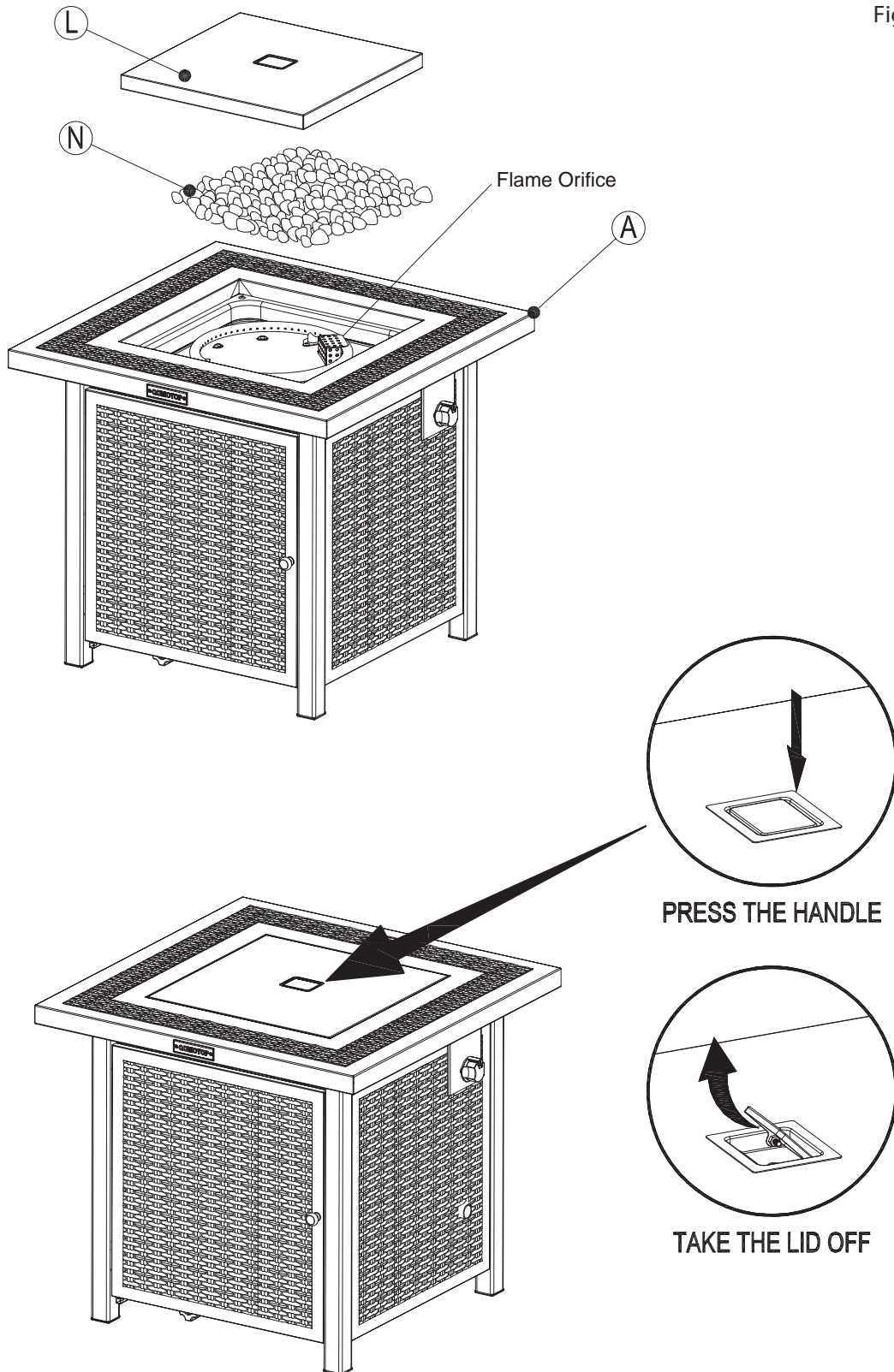


Fig. 12

# INSTALLATION INSTRUCTIONS

## INSTALLATION

Two or more people are helpful for an easier installation.

## LOCATION

Your fire pit must be installed on flat, stable surface, away from any combustible materials or construction.

## SET-UP

1. Place fire pit on any level, outdoor, non-combustible surface.

**NOTE:** Do not place the appliance on grass or dirt.  
This may prevent proper safety venting.

2. Pour the lava rocks (max 8.8 lb) onto the fire pit.
3. Open the door (J) and place cylinder in the holder assembly. (Fig. 13)
4. Turn the cylinder locking bolt clockwise to secure the gas cylinder. (Fig. 14)
5. Attach regulator to cylinder and turn clockwise by hand. (Fig. 15)
6. Check your fire pit for leaks before use. (Fig. 16)

Your gas fire pit has been checked at all connections at the factory for leakage.

In transportation and handling some connections may have loosened. Follow these steps to check the hose/regulator/cylinder connections:

- 1) Make leakage solution by mixing 1part liquid dish soap and 3 parts water.
- 2) Spoon or brush several drops (or use squirt bottle) of the solution onto hose/regulator/cylinder connection.
- 3) Turn on gas cylinder. Inspect the connections and look for bubbles.
- 4) If no bubbles appear, the connection is safe.
- 5) If bubbles appear, there is leakage. Loosen and re-tighten this connection. If there is still a leak, please contact customer service: [support@Qomotop.com](mailto:support@Qomotop.com)

Note:

- 1) The cylinder supply system must be arranged for vapor withdrawal.
- 2) The cylinder used must include a collar to protect the cylinder valve.

The hose assembly must be replaced prior to the appliance being put into operation if there is evidence of excessive abrasion or wear, or if the hose is damaged.

At least once a year, a complete inspection of the entire gas path components should be performed.

If there is need to replace parts, proceed to leak test after reassembly (These procedures should be performed by a professional technician).

Fig. 13

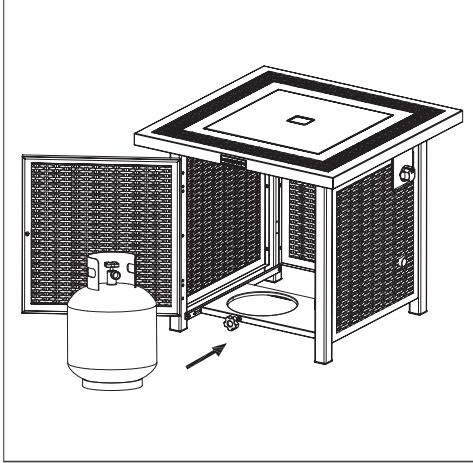


Fig. 14

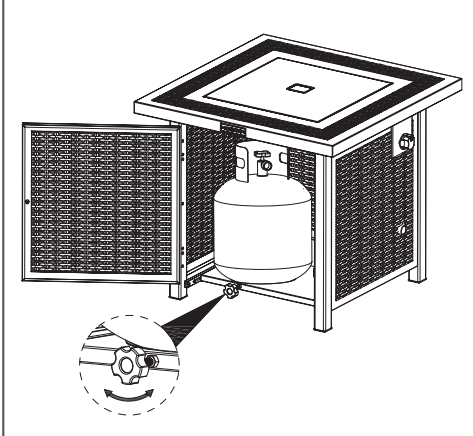


Fig. 15

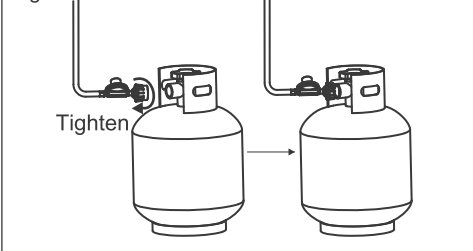
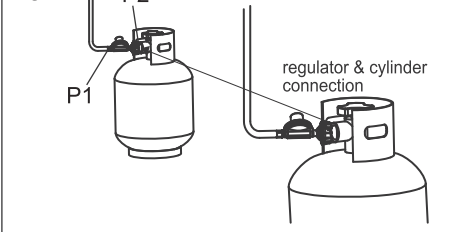


Fig. 16



## OPERATION

**WARNING: DO NOT ATTEMPT TO OPERATE THE APPLIANCE UNTIL YOU HAVE READ AND UNDERSTAND ALL PRECAUTIONS. FAILURE TO DO SO CAN RESULT IN PROPERTY DAMAGE, SERIOUS INJURY, OR DEATH.**

### **WARNING!!!**

- Do not use an open flame to check for leakage.
- Do not smoke during testing.
- Do not test indoors.
- A leak check must be performed whenever the gas cylinder is replaced.

### **NOTE:**

Use only the pressure regulator supplied with this fire pit. Replace them with those specified by the manufacturer only.

### **Before turning gas supply ON**

Your fire pit was designed and approved for **OUTDOOR USE ONLY**. DO NOT use it inside a building or any other enclosed area.

Make sure surrounding areas are free of combustible materials, gasoline, and other flammable vapors or liquids.

Ensure that there is no obstruction to air ventilation.

Be sure all gas connections are tight and there are no leaks.

Be sure the access panel is clear of debris.

Be sure any component removed during assembly or servicing is replaced and fastened prior to starting.

### **WARNING**

#### **FOR YOUR SAFETY:**

If at any time you are unable to light burner and smell gas, wait 5 minutes to allow gas to dissipate before attempting to light gas appliance. If after 1 minute, you are unable to light burner, wait 5 minutes and allow flammable vapors to dissipate before attempting to light gas appliance.

### **WARNING**

#### **FOR YOUR SAFETY:**

DO NOT touch or move gas appliance for at least 45 minutes after use.

### **WARNING**

Lighting operations should comply with Lighting Instruction section. Improper lighting operations will cause serious injury and explosion.

## OPERATION

**WARNING: DO NOT ATTEMPT TO OPERATE THE APPLIANCE UNTIL YOU HAVE READ AND UNDERSTAND ALL PRECAUTIONS. FAILURE TO DO SO CAN RESULT IN PROPERTY DAMAGE, SERIOUS INJURY, OR DEATH.**

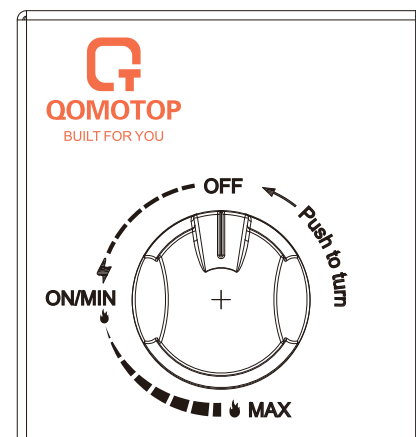
### Before Lighting

The gas fire pit should be thoroughly inspected before each use, and by a qualified service person at least annually.

If relighting a hot gas fire pit, always wait at least 5 minutes.

### Lighting Instructions

1. Make sure control knob is in the "OFF" position.
2. Turn LP cylinder gas valve to fully open position.
3. Press down control knob and turn it counter clockwise to "MIN" position, this will light the burner. (You will hear 1 clicking noise.)
4. If the burner is not lit immediately (within 5 seconds), press down the control knob and turn clockwise to "OFF" position, repeat from step 3 after 5 minutes.
5. When burner is lit, turn the control knob to desired heat output position between "MIN" and "MAX".



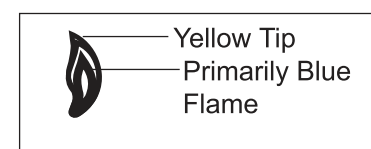
OFF

### Flame Characteristic

Normally the burner flame is yellow.

If the burner flame is blue and very small, please check the gas cylinder, as it may be low gas pressure or empty. If there is enough gas in the cylinder, please contact customer service to change the burner of the gas fire pit.

If flames lift away from burner or backfire happens, or produce thick black smoke, the fire pit should be turned off immediately. The fire pit should not be operated again until the unit is serviced and/or repaired by a qualified service technician.





## OPERATION

**CAUTION: AVOID INHALING FUMES EMITTED FROM THE GAS APPLIANCE'S FIRST USE. SMOKE AND ODOR FROM THE BURNING OF OILS USED IN MANUFACTURING WILL APPEAR. BOTH SMOKE AND ODOR WILL DISSIPATE AFTER APPROXIMATELY 30 MINUTES. THE GAS APPLIANCE SHOULD NOT PRODUCE THICK BLACK SMOKE.**

### NOTE:

The burner may be noisy when initially turned on. To eliminate excessive noise from the burner, turn the control knob to the "MIN" position. Then, turn the knob to the level of heat desired.

Operation pressure checked:

If the flame is very small, this is because the supply pressure is not enough. Please refill gas cylinder.

Re-light:

- 1) Turn the control knob to "OFF" position.
- 2) Wait five (5) minutes before attempting to relight appliance.
- 3) Repeat steps beginning with step 3 of the lighting instruction.

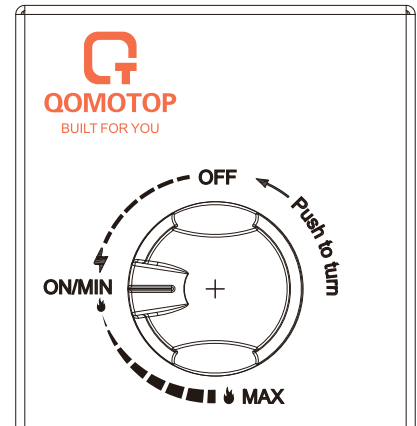
Shut down instructions:

- 1) Push in and turn control knob clockwise to "OFF" position.
- 2) Turn LP cylinder gas valve clockwise to "OFF" position when appliance is not in use.

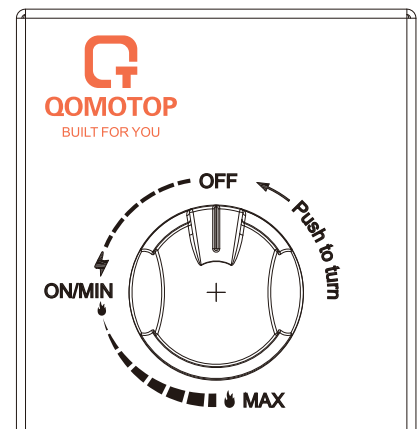
The Event of Gas Leakage:

- 1) Turn the control knob to "OFF" position.
- 2) Turn LP cylinder valve to "OFF" position.
- 3) Wait 5 minutes to allow gas to dissipate.
- 4) If odor continues, immediately call gas supplier.

**WARNING :** Gas appliance will be hot after use.  
Handle with extreme care.



IGNITION



OFF

## LOCATING FIRE PIT FOR USE

**CAUTION: WHEN CERTAIN MATERIALS OR ITEMS ARE LEFT ABOVE, BESIDE OR UNDER THIS APPLIANCE WHILE IN USE, THEY WILL BE SUBJECT TO RADIANT HEAT AND COULD BE SERIOUSLY DAMAGED.**

This gas fire pit is primarily used for the heating of outdoor patios, decks, spas, pools and open working areas.

Always make sure that adequate fresh air ventilation is provided. Follow the spacing tolerances shown in Fig. 17 at all times.

This gas fire pit must be placed on level, firm ground.

Never operate in an explosive atmosphere. Keep away from areas where gasoline or other flammable liquids or vapors are stored or used.

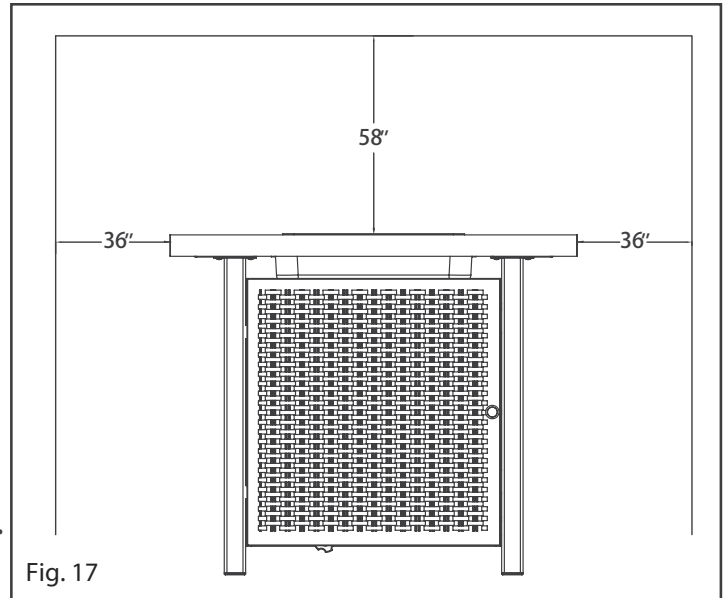


Fig. 17

## MAINTENANCE AND STORAGE

### CLEANING AND MAINTENANCE :

To enjoy years of outstanding performance from your gas fire pit, make sure you perform the following maintenance activities on a regular basis:

- Keep exterior surfaces clean.
- Use warm soapy water for cleaning. Never use flammable or corrosive cleaning agents.
- While washing your unit, be sure to keep the area around the burner dry at all times. If the gas control is exposed to water in any way, do NOT try to use it. It must be replaced.
- Keep the appliance area free and clean from combustible materials, gasoline and other flammable vapors and liquids; not obstructing the flow of combustion and ventilation air; keeping the ventilation opening(s) of the cylinder enclosure free and clear from debris.
- Check if there are cracks or worn sections on the hose. If yes, please call our customer service to replace hose.
- **At least once a year, the unit should be inspected for the presence of spiders, spider webs or other insects.**
- Air flow must be unobstructed. Keep controls, burner, and circulating air passageways clean. Signs of possible blockage include:
  - Gas fire pit does NOT reach the desired temperature.
  - Gas fire pit glow is excessively uneven.
  - Gas fire pit makes popping noises.
- Spiders and insects can nest in burner or orifices. This dangerous condition can damage gas fire pit and render it unsafe for use. Clean burner holes by using a heavy-duty pipe cleaner. Compressed air may help clear away smaller particles.

**WARNING:**  
**FOR YOUR SAFETY ;**  
DO NOT touch or move gas appliance for at least 45 minutes after use. Allow all burner elements to cool before touching.

**NOTE:**  
In a salt-air environment such as near an ocean, corrosion occurs more quickly than normal. Frequently check for corroded areas and repair them promptly.

**NOTE:**  
Wait until gas appliance is cool before covering.

## MAINTENANCE AND STORAGE

- Store the fire pit indoors during the winter if it will be subjected to freezing temperatures.
- Disconnect and remove the cylinder from the appliance before the appliance can be stored indoors.

**NOTE:**  
Wait until the appliance is cool before covering.

### STORAGE

- Turn the control knob to "OFF" position.
- Turn LP cylinder to OFF position.
- Allow at least 45 minutes for the fire pit to cool down after use, and then turn regulator counterclockwise to disconnect the regulator from cylinder, turn the cylinder clamp screw counterclockwise to loose the cylinder and remove the cylinder.
- Cylinder must be stored outdoors in a well-ventilated area out of the reach of children. When the cylinder is disconnected, tightly install the threaded valve plugs, and do not store it in a building, garage or any other closed area.
- You may store product indoors ONLY if the cylinder is disconnected and removed.
- Keep the fire pit area clear and free from combustible materials, gasoline and other flammable vapors and liquids.
- If you do not use a cover, store this outdoor fire pit in a dry location to maximize product life.
- Store gas fire pit in an area sheltered from direct contact with inclement weather (such as rain, sleet, hail, snow, dust and debris).
- A qualified service person should install and repair the fire pit and inspect it annually.
- **It might be necessary to clean this fire pit frequently. You must keep the control compartment, burner and circulating air passageways clean.**

## TROUBLE SHOOTING

PROBLEM OBSERVED	POSSIBLE CAUSE	CORRECTIVE MEASURES
Gas odor	Gas leak	Check all gas connections
Delayed ignition	Low gas pressure. Clogged or dirty burner ports.	Check gas supply pressure. Clean burner parts--see manual. "CLEANING AND MAINTENANCE" section.
Incorrect burner flame	Incorrect gas supply or pressure. Clogged or dirty burner ports.	Check gas supply pressure. Clean burner parts.
Ignition failure	The distance between electrode ignition pin and flame orifice is too far	Adjust the distance to 4-5mm

## LIMITED ONE YEAR WARRANTY

### What is covered under this warranty?

This product is covered under the Manufacturers Limited Warranty. To ensure your complete satisfaction, this warrants to the original purchaser that this furniture is free from defects in material and workmanship as of the date of purchase and that it will, under normal use and proper care, remain so for one year after the date of purchase. Replacement of missing or initially defective parts will be sent at no charge for a period of 10 days from date of purchase. The manufacturer and retailer will not be responsible for missing parts and/or hardware after 10 days from date of purchase.

### Warranty does not cover:

Freight and packaging charges to and from our customer service center remain the customer's responsibility. Labor or material charges to remove or replace parts are not covered under this warranty. Any floor sample sales or clearance sales from the store are not covered by this warranty. Furniture used for commercial purposes; failures caused by improper care; unreasonable or abusive use; damage by modification or alteration; freeze damage; acts of nature; rust; fabric stains; ripping or fading; purchased parts; or return freight and packaging charges are not covered under this warranty. Proof of purchase (dated register receipt) is required for warranty claims.

### How to obtain service:

If you have any questions or concerns please contact customer service: [support@Qomotop.com](mailto:support@Qomotop.com)