

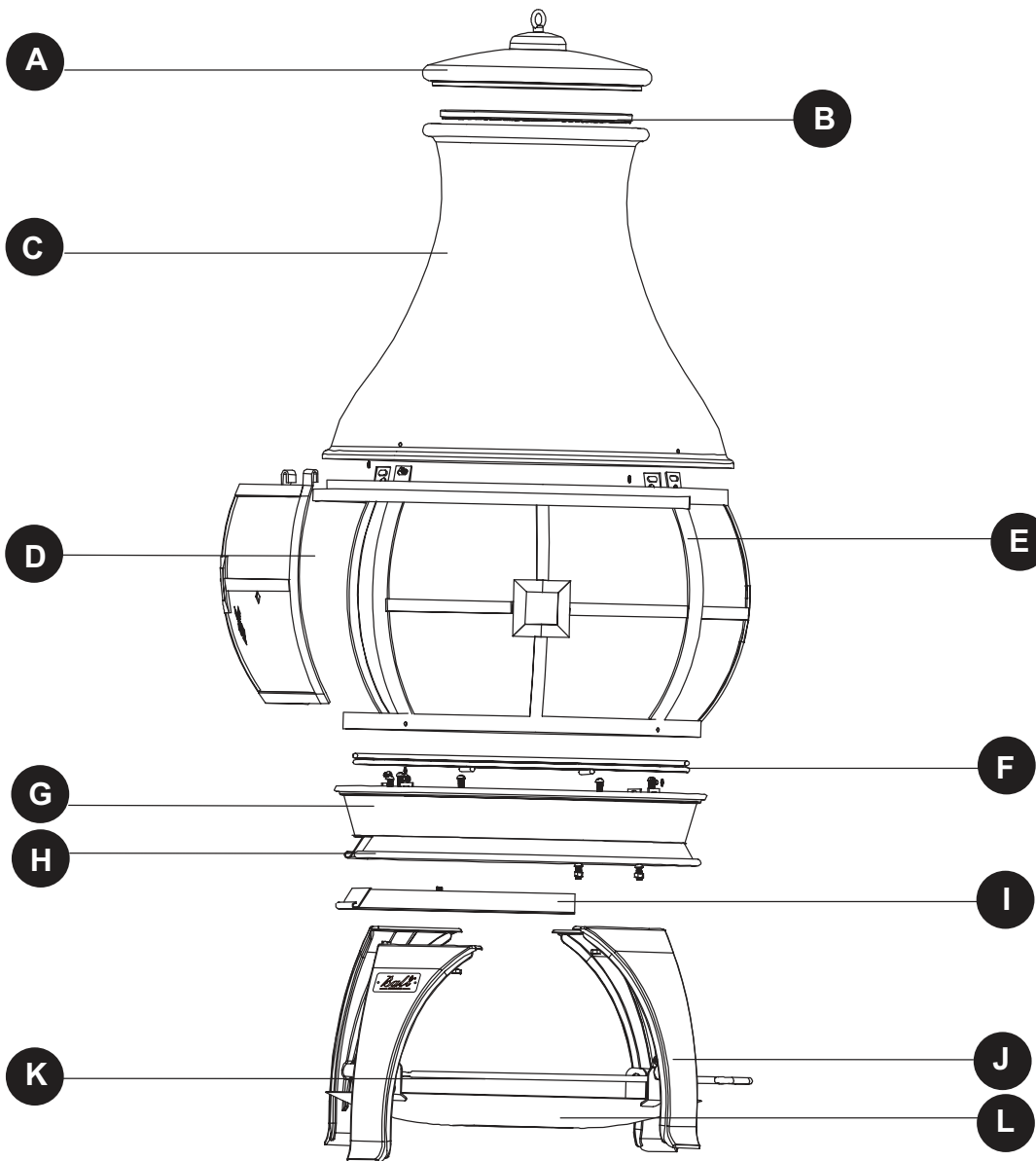
ATTACH YOUR RECEIPT HERE

Serial Number _____ Purchase Date _____



Questions, problems, missing parts? Before returning to your retailer, call our customer service department at 1-888-909-3888 or via cs@shinerichgroup.com.

PACKAGE CONTENTS

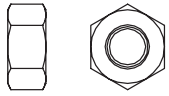


PART	DESCRIPTION	QUANTITY
A	Chimney cap	1
B	Chimney mesh cover	1
C	Chimney body	1
D	Sliding door assembly	1
E	Screen assembly	1
F	Charcoal grid	2
G	Upper stove assembly	1

PART	DESCRIPTION	QUANTITY
H	Lower stove bowl	1
I	Ash tray assembly	1
J	Leg	4
K	Poker	1
L	Log rack assembly	1

HARDWARE CONTENTS (shown actual size)

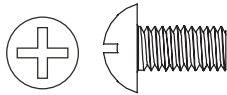
AA



Nut

Qty. 16

BB



M6 x 12 mm Bolt

Qty. 4

CC



Washer

Qty. 20

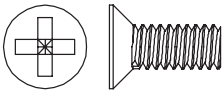
DD



Spring Washer

Qty. 16

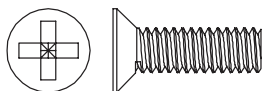
EE



M6 x 15 mm
Flat Bolt

Qty. 4

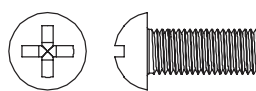
FF



M6 x 20 mm
Flat Bolt

Qty. 4

GG



M6 x 15 mm Bolt

Qty. 8

SAFETY INFORMATION

WARNING:

- The chiminea is intended for outdoor use only. Keep it at least 12 inches from walls and 36 inches from an overhang. Do not use on wooden decks.
- The chiminea is intended to burn wood logs only. Do not burn coal, leaves or other combustibles.
- For adult use only. Keep children and pets away from chiminea.
- The chiminea is hot, use with caution. Never touch a hot chiminea with bare hands. Never leave burning chiminea unattended, and always extinguish fire completely when finished with the chiminea.
- Do not use near flammable or combustible objects or materials.
- The grid is not intended for cooking and should not be used for this purpose.
- The handle of the tools may become hot during and after use.

WARNING:

- This product can expose you to chemicals including soot, which is known to the State of California to cause cancer, and carbon monoxide, which is known to the State of California to cause birth defects or other reproductive harm. For more information go to www.P65Warnings.ca.gov.

PREPARATION

Suggest two people assemble this product.

Before assembling product, make sure all parts are present. Compare parts with package contents list and hardware contents above. If any part is missing or damaged, do not attempt to assemble the product. Contact customer service for replacement parts.








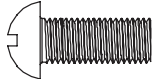
Estimated assembly time: 20 minutes

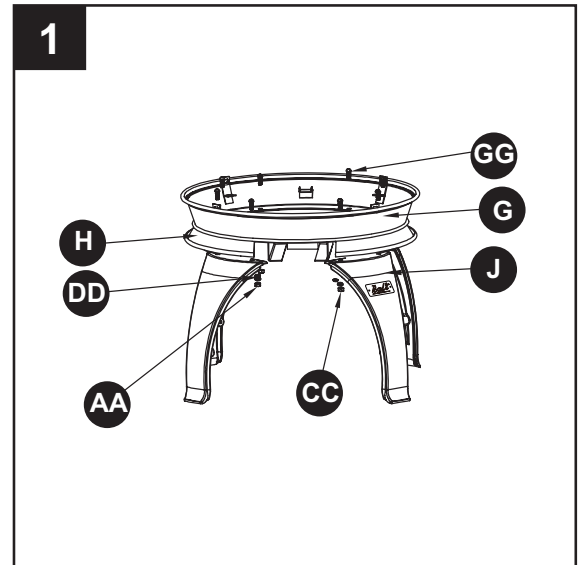
Tools required for assembly (not included): Phillips screwdriver, 3/8 in. wrench.

ASSEMBLY INSTRUCTIONS

1. Line up the upper stove assembly (G) and lower stove bowl (H). Position the legs (J) beneath bowl (H) and attach using M6 x 15 mm bolts (GG), nuts (AA), washers (CC) and spring washers (DD).


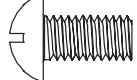


Hardware Used

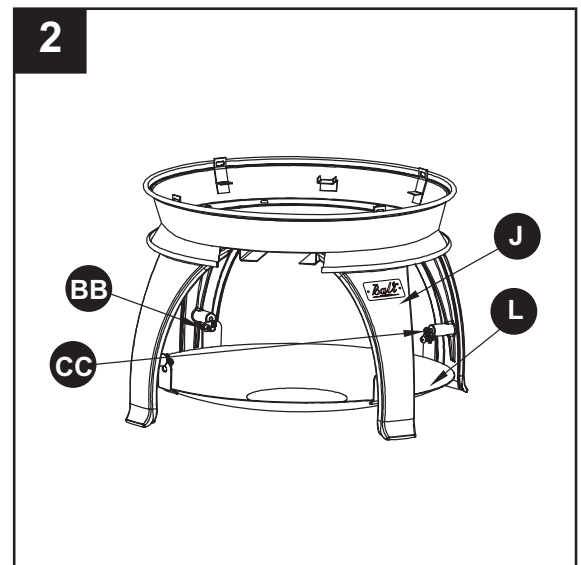
AA	Nut			x 8
CC	Washer			x 8
DD	Spring Washer			x 8
GG	M6 x 15 mm Bolt			x 8



2. Place log rack assembly (L) in the center of unit and attach to legs (J) with M6 x 12 mm bolts (BB) and washers (CC).

Hardware Used

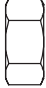





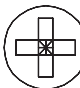
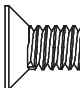
BB	M6 x 12 mm Bolt			x 4
CC	Washer			x 4



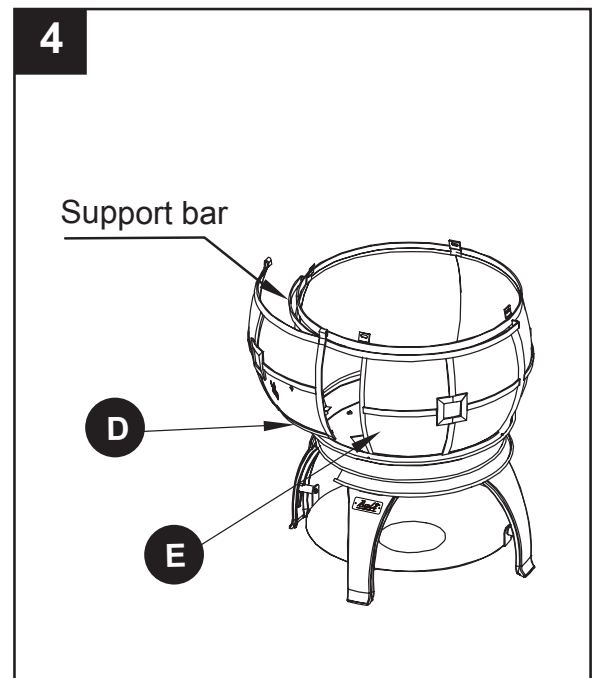
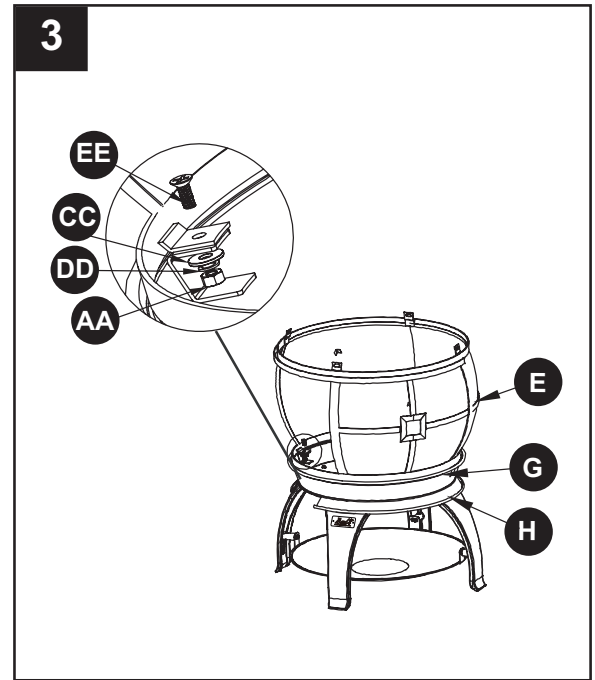
ASSEMBLY INSTRUCTIONS

3. Align the door of screen assembly (E) and gap of lower stove bowl (H). Attach the smaller end of screen assembly (E) onto upper stove assembly (G) with washers (CC), spring washers (DD), nuts (AA), and M6 x 15 mm flat bolts (EE).

Hardware Used

AA	Nut			x 4
CC	Washer			x 4
DD	Spring Washer			x 4
EE	M6 x 15 mm Flat Bolt			x 4

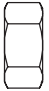



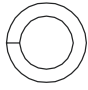


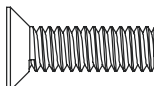
4. Hang the sliding door assembly (D) onto support bar of screen assembly (E).

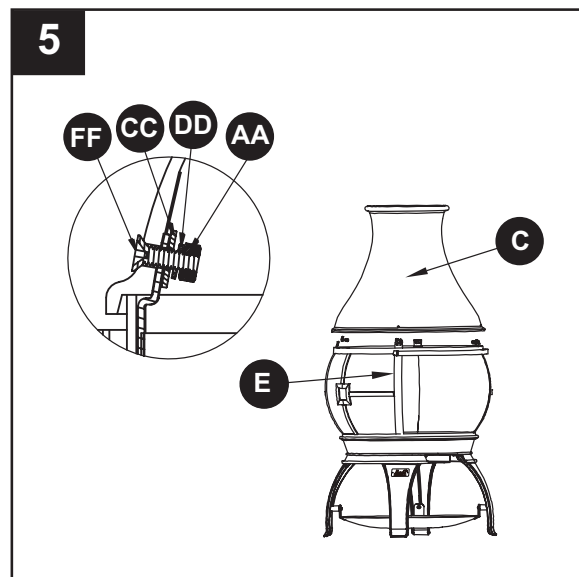


ASSEMBLY INSTRUCTIONS

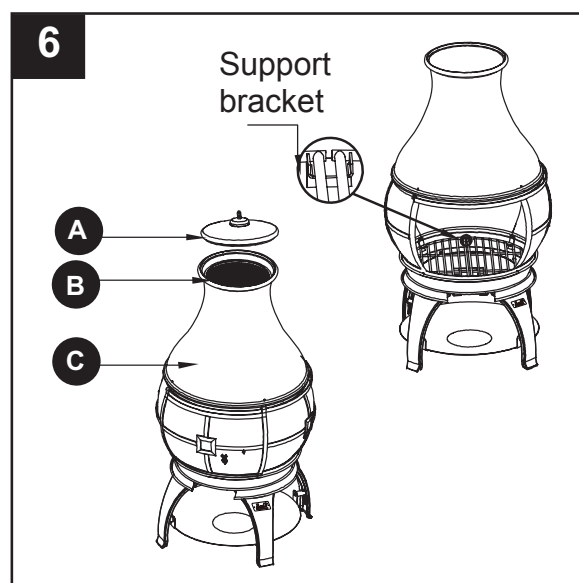
5. Attach chimney body (C) on the top of screen assembly (E) with washers (CC), spring washers (DD), M6 x 20 mm flat bolts (FF) and nuts (AA).

Hardware Used

AA Nut			x 4
CC Washer			x 4
DD Spring Washer			x 4
FF M6 x 20 mm Flat Bolt			x 4

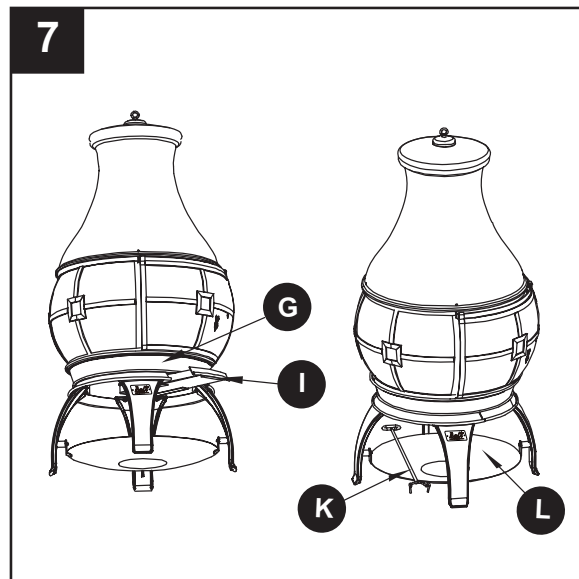


6. Place the charcoal grid (F) in upper stove assembly (G) and attach it onto the support bracket. Then place chimney mesh cover (B) and chimney cap (A) on top of chimney body (C).



ASSEMBLY INSTRUCTIONS

7. Insert the ash tray assembly (I) into the track on upper stove assembly (G).
Place the poker (K) on the log rack assembly (L).



LIGHTING INSTRUCTIONS

1. Open the sliding door using the poker, and put the log(s) (less than 4 lb.) on the charcoal grid. (NOTE: Make sure log does not extend to the charcoal grid edge, and the log height does not extend 14 in. The fire height should not extend 3/4 the height of screen.)
2. Light dry wood chips under logs. Close the sliding door with poker.

CARE AND MAINTENANCE

Inspecting

Inspect this chiminea on a regular basis to ensure product safety and longer product life.

DO NOT attempt to inspect this outdoor chiminea until the fire is COMPLETELY out and cooled down.

1. Check handles to make sure they are secure.
2. Check components for any signs of damage or rust.
3. If you detect damage to any component, do not operate until you make repairs.

Cleaning

Make sure the fire is completely out when you are no longer using the chiminea.

Make sure the fire is completely out before you clean the ash tray. Sweep the ash into the ash tray, pull ash tray out and empty it.

Use a damp cotton cloth to remove the smoke stain from the mesh cover and chimney cap.

Clean this outdoor chiminea on a regular basis to promote safer experiences and longer product life.

Note: After repeated use, the finish may become discolored.

DO NOT attempt to clean this outdoor chiminea until the fire is COMPLETELY out and cooled down.

DO NOT use oven cleaner or abrasive cleaners as they will damage this product.

DO NOT clean any part of this outdoor chiminea in a self-cleaning oven as it may damage the finish.

1. Wipe exterior surface with a mild dishwashing detergent or baking soda.
2. For stubborn surface stains use a citrus-based degreaser and a nylon scrubbing brush.
3. Rinse clean with water.
4. Remove built-up creosote from components with a chiminea cleaning product.

Storage

DO NOT move or store this outdoor chiminea until the fire is COMPLETELY out and cooled down.

1. Once the fire is out, (coals are cold and outdoor chiminea is cool to touch), remove ashes and properly dispose.
2. Store assembled in a location away from children and pets.

Note: If you do not use a cover, store this outdoor chiminea in a dry location to maximize product life.

ONE-YEAR LIMITED WARRANTY

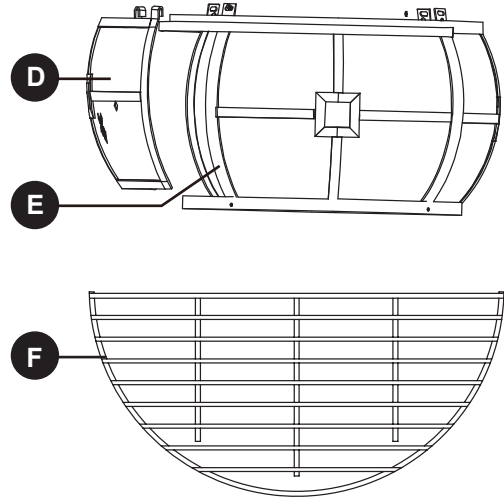
The item has been manufactured under the highest standards of quality and workmanship. We warrant to the original consumer/purchaser that all aspects of this product will be free of defects in material and workmanship for one (1) year from the date of purchase. A replacement for any defective part will be supplied free of charge for installation by the consumer. Defects or damage caused by the use of other than genuine parts are not covered by this warranty. This warranty shall be effective from date of purchase as shown in the purchaser's receipt. For warranty service, call 1-888-909-3888, 8 a.m. - 8 p.m., EST, Monday - Friday or E-mail to cs@shinerichgroup.com

This warranty is valid for the original consumer/purchaser only and excludes industrial, commercial or business use of the product, product damage due to shipment or failure which results from alteration, product abuse, or product misuse, whether performed by a contractor, service company, or consumer. We will not be responsible for labor charges and/or damage incurred in installation, repair or replacement, nor for incidental or consequential damage. This warranty gives you specific rights, and you may also have other rights that vary from state to state.

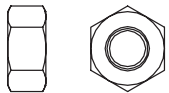
REPLACEMENT PARTS LIST

For replacement parts, call our customer service department at 1-888-909-3888, 8 a.m. - 8 p.m., EST, Monday - Friday or e-mail to cs@shinerichgroup.com.

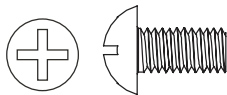
PART	DESCRIPTION
AA	Nut
BB	M6 x 12 mm bolt
CC	Washer
DD	Spring washer
EE	M6 x 15 mm flat bot
FF	M6 x 20 mm flat bolt
GG	M6 x 15 mm bolt
D	Sliding door assembly
E	Screen assembly
F	Charcoal grid



AA



BB



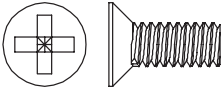
CC



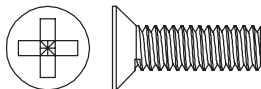
DD



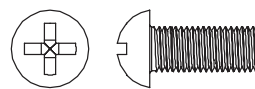
EE



FF



GG



Made in China