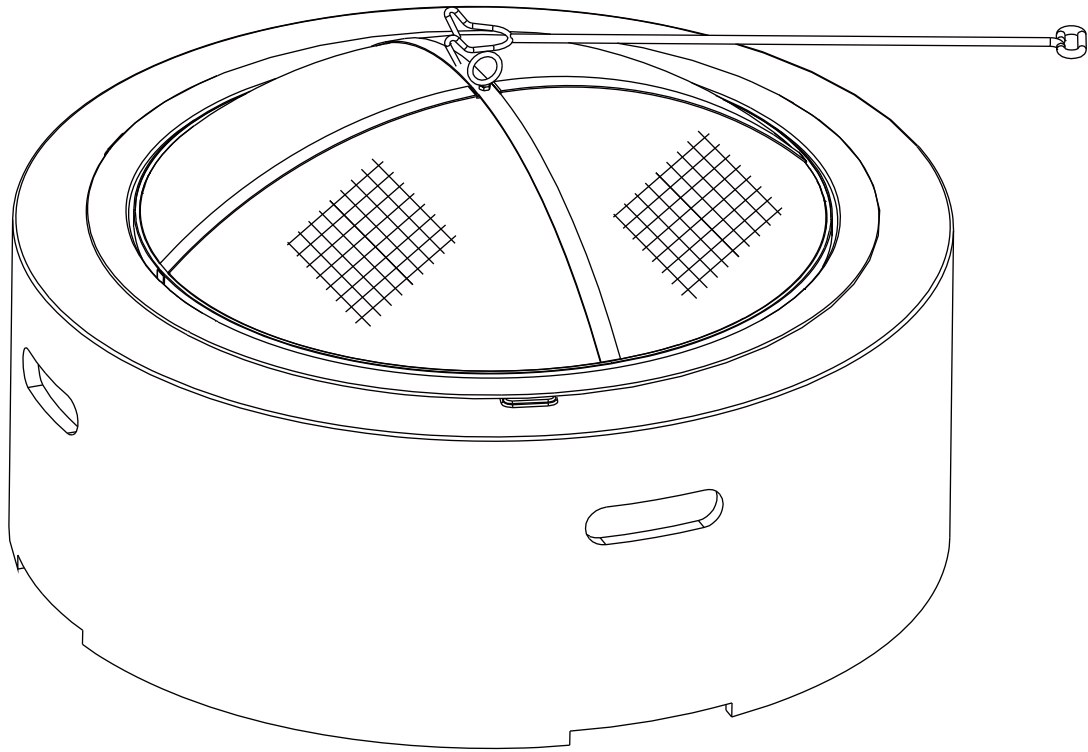


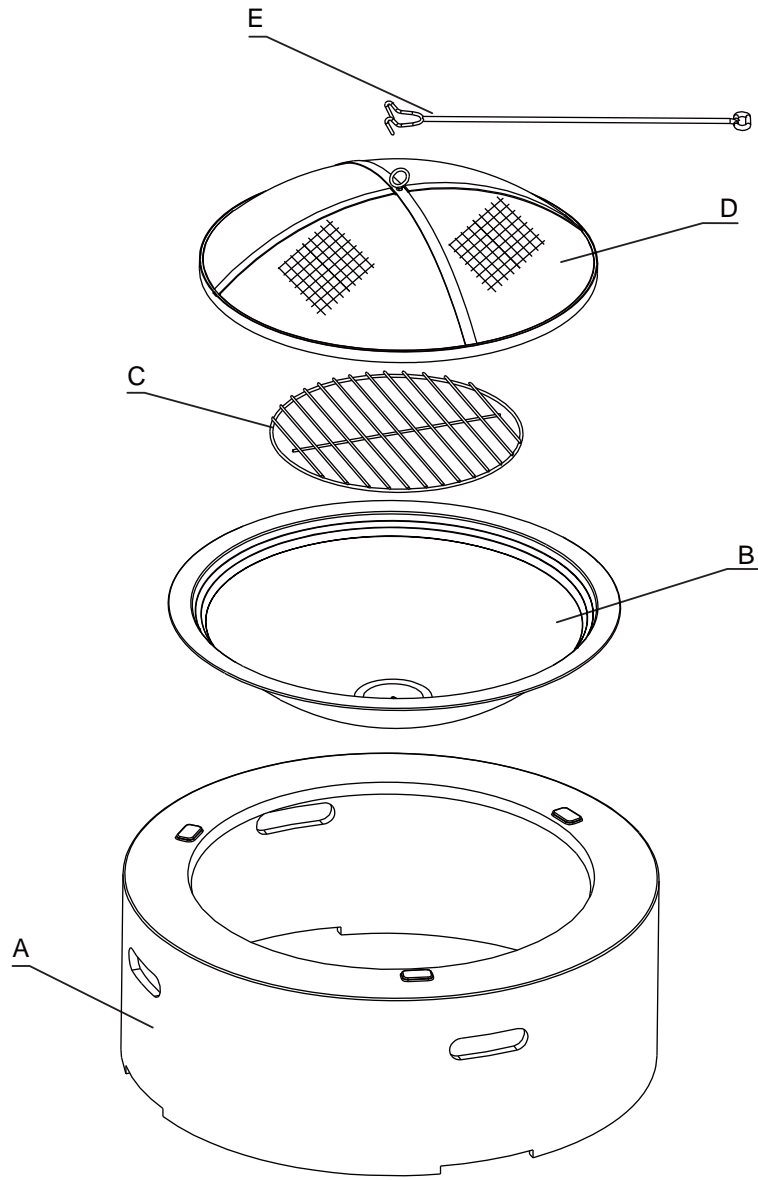


35" Cast Stone Fire Pit

Model No.: SRF97C





Questions, problems, missing parts? Before returning to your retailer, call our customer service department at 1-888-909-3888, 7 a.m. - 4 p.m., PST, Monday - Friday; or send an email to customerservice@shinerich.us for help.



PARTS LIST:

PART #	DESCRIPTION	QTY.
A	Cast stone base	1
B	Fire bowl	1
C	Charcoal grid	1
D	Mesh screen cover	1
E	Lifting tool	1

HARDWARE LIST:

PART #	DESCRIPTION		QTY.
F	M6 Ring Screw		1
G	M6 Nut		1

ASSEMBLY

Step 1: Choose a level location for assembly. Remove all parts from the packaging, and check for missing parts.

Step 2: Attach the M6 ring screw (F) to the mesh screen cover (D) using one M6 Nut (G) as shown in Fig. 1.

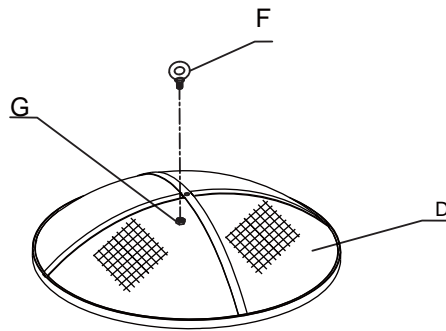


Fig.1

Step 3: Place all parts on the cast stone base as shown in Fig. 2.

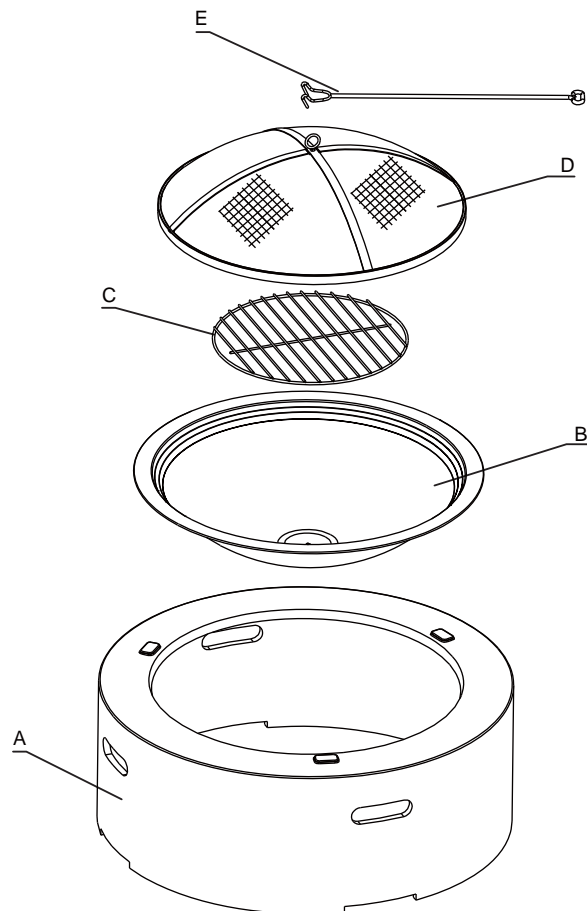


Fig.2

WARNINGS AND CAUTIONS

WARNING: TO AVOID INJURY

1. FOR OUTDOOR USE ONLY.
2. Do not use the fire pit indoors. Because of hazardous carbon monoxide fumes, a lack of ventilation can cause death.
3. Do not use gasoline or kerosene to start fires in the fire pit. Keep all flammable liquids away from the fire pit.
4. This unit is designed to burn charcoal and untreated wood only. Fill the bottom of the bowl with sand until the surface of sand is 15 mm below the grill.
5. Do not use under or on combustible structures/surfaces including wooden decks.
6. Use protective gloves and long-handled tools with this fire pit.
7. Dispose of packaging materials properly.
8. Keep children away from hot fire pit.
9. Fire pit remains very hot for a period of time after using.
10. Be sure fire pit is cool before attempting to move it.
11. Do not burn charcoal over 1.6 lb. and untreated wood over 3 lb. at one time.
12. The handle of the tools may become hot during and after use. The fire bowl should not be used on a combustible surface (including wood decks), and should be placed no closer than 24 inch from walls during use.

CARE AND MAINTENANCE

Inspecting

Inspect this fire pit on a regular basis to ensure product safety and longer product life. DO NOT attempt to inspect this outdoor fire pit until the fire is COMPLETELY out and cooled down.

1. Check handles to make sure they are secure.
2. Check components for any signs of damage or rust.
3. If damage to any component is detected, do not operate until repairs are made.

Cleaning

This outdoor fire pit should be cleaned on a regular basis to promote safer use and longer product life.

Note: After repeated use, a slight discoloration of the finish may occur.

DO NOT attempt to clean this outdoor fire pit until the fire is COMPLETELY out and cooled down.

DO NOT use oven cleaner or abrasive cleaners as they will damage this product.

DO NOT clean any part of this outdoor firepit in a self-cleaning oven as it may damage this finish.

1. Wipe exterior surfaces with a mild dishwashing detergent or baking soda.
2. For stubborn surfaces use a citrus based degreaser and a nylon scrubbing brush.
3. Rinse clean with water.
4. Remove built-up creosote from components with a chimney cleaning product.

Storage

DO NOT move or store this outdoor fire pit until the fire is COMPLETELY out and cooled down.

1. Once the fire is out, coals are cold and outdoor fire pit is cooled to touch, remove ashes and properly dispose.
2. Store assembled in a location away from children and pets.

ONE-YEAR-LIMITED WARRANTY

1. The appliance has been manufactured under the highest standards of quality and workmanship. We warrant to the original consumer/purchaser that all aspects of this product will be free of defects in material and workmanship for one (1) year from the date of purchase. A replacement for any defective part will be supplied free of charge for installation by the consumer. Defects or damage caused by the use of other than genuine parts are not covered by this warranty. This warranty shall be effective from the date of purchase as shown in the purchaser's receipt.
2. This warranty is valid for the original consumer/purchaser only and excludes industrial, commercial or business use of the product, product damage due to shipment or failure which results from alteration, product abuse, or product misuse, whether performed by a contractor, service company, or consumer. We will not be responsible for labor charges and/or damage incurred in installation, repair or replacement, nor for incidental or consequential damage. This warranty gives you specific rights, and you may also have other rights that vary from state to state.



Need help?
call our toll free number at:
1-888-909-3888 or

email us at:
customerservice@shinerich.us