

GROSS LOAD CAPACITY WHEN USED AS A WEIGHT CARRYING HITCH: 2,000 LBS. TRAILER WEIGHT & 200 LBS. TONGUE WEIGHT.

WARNING: ALL NON-TRAILER LOADS APPLIED TO THIS PRODUCT MUST BE SUPPORTED BY 18050 STABILIZING STRAPS.



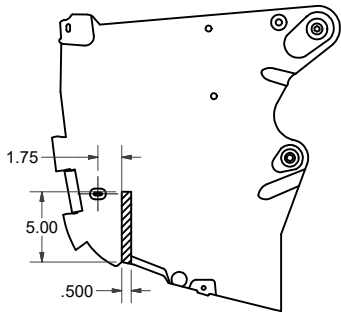
WARNING: ** FAILURE TO PROPERLY SUPPORT NON-TRAILER LOADS WILL VOID PRODUCT WARRANTY **

WARNING: * DO NOT EXCEED VEHICLE MANUFACTURER'S RECOMMENDED TOWING CAPACITY *****

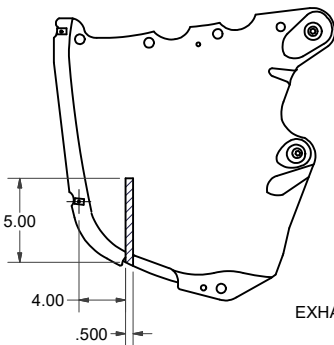


FOR MORE INFORMATION LOG ONTO WWW.CURTMFG.COM
HAVING INSTALLATION QUESTIONS? CALL TECHNICAL SUPPORT AT 1-877-287-8634

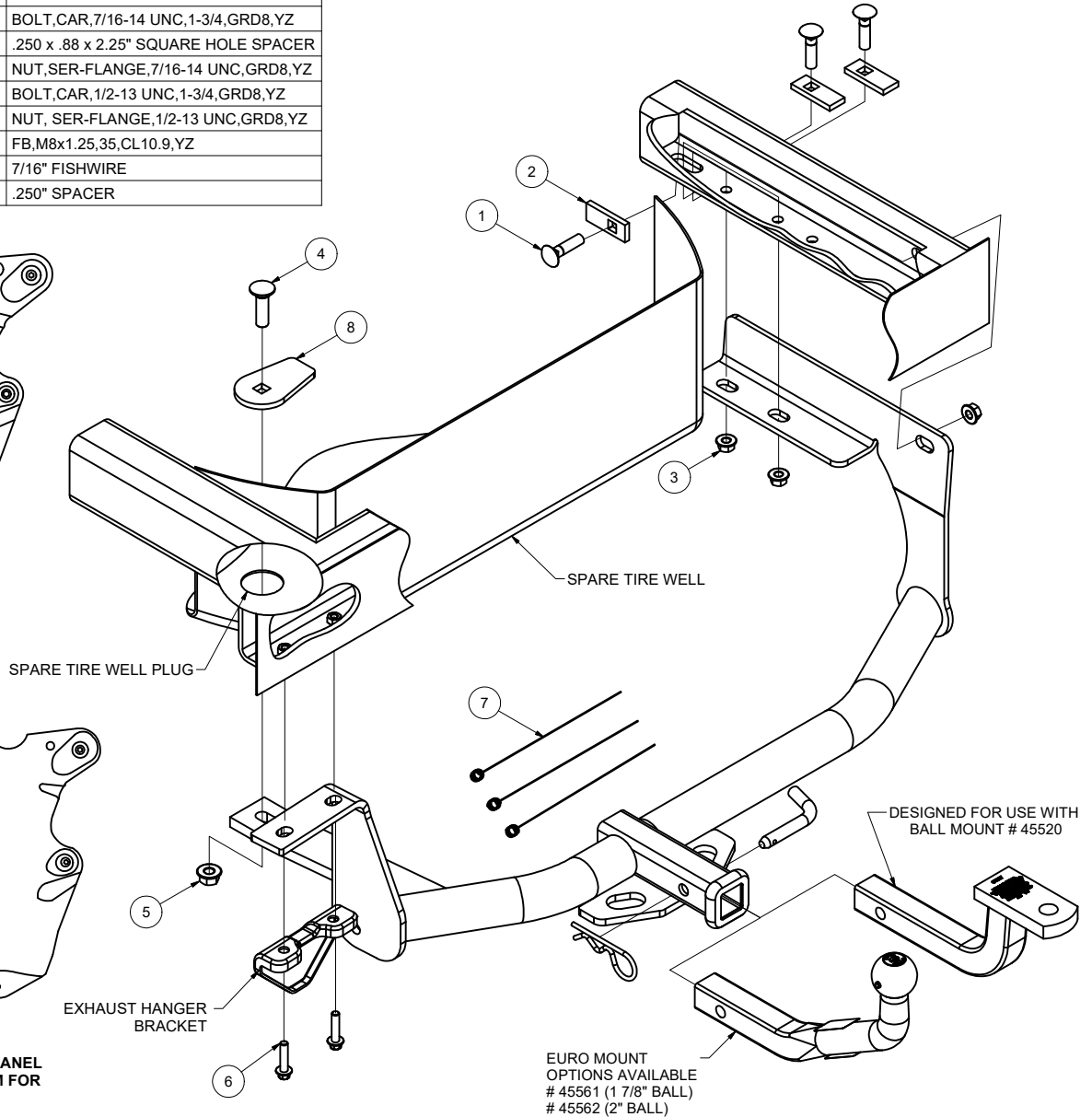
Parts List			
ITEM	QTY	PART NUMBER	DESCRIPTION
1	3	10-10314	BOLT,CAR,7/16-14 UNC,1-3/4,GRD8,YZ
2	3	CM-SP2	.250 x .88 x 2.25" SQUARE HOLE SPACER
3	3	20-00103	NUT,SER-FLANGE,7/16-14 UNC,GRD8,YZ
4	1	10-10272	BOLT,CAR,1/2-13 UNC,1-3/4,GRD8,YZ
5	1	20-00062	NUT, SER-FLANGE,1/2-13 UNC,GRD8,YZ
6	2	10-10333	FB,M8x1.25,35,CL10.9,YZ
7	3	7_16 FISHWIRE	7/16" FISHWIRE
8	1	11474-SP	.250" SPACER



UNDERBODY PANEL TRIM DIAGRAM FOR SEDAN



UNDERBODY PANEL TRIM DIAGRAM FOR WAGON



TOOLS REQUIRED
#25 AND #27 TORX DRIVERS
10mm AND 13mm SOCKETS
3/4" AND 11/16" SOCKETS
10" EXTENSION
RATCHET
TORQUE WRENCH
ROTARY CUTTING TOOL
TAPE MEASURE
SAFETY GLASSES

HITCH WEIGHT: 29 LBS.

INSTALL TIME

PROFESSIONAL: 45 MINUTES

NOVICE (DIY): 90 MINUTES

INSTALL NOTES:

- NO DRILLING REQUIRED
- LOWER EXHAUST
- FISHWIRE HARDWARE
- TRIM UNDERBODY PANEL

PERIODICALLY CHECK THIS RECEIVER HITCH TO ENSURE THAT ALL FASTENERS ARE TIGHT AND THAT ALL STRUCTURAL COMPONENTS ARE SOUND.

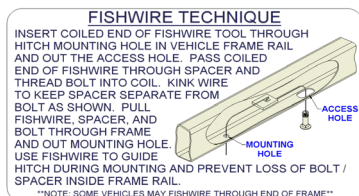


Scan for more information

CURT Manufacturing LLC., warrants this product to be free of defects in material and/or workmanship at the time of retail purchase by the original purchaser. If the product is found to be defective, CURT Manufacturing LLC., may repair or replace the product, at their option, when the product is returned, prepaid, with proof of purchase. Alteration to, misuse of, or improper installation of this product voids the warranty. CURT Manufacturing LLC.'s liability is limited to repair or replacement of products found to be defective, and specifically excludes liability for incidental or consequential loss or damage.

This product complies with safety specifications and requirements for connecting devices and towing systems of the state of New York, V.E.S.C.Regulation V-5 and SAE J684.

HAVING INSTALLATION QUESTIONS? CALL TECHNICAL SUPPORT AT 1-877-287-8634



FUEL VAPOR CANISTER

INSTALLATION STEPS

1. Lower the passenger side underbody panel by removing (3) torx head screws and (2) hex nuts. (Save fasteners for use in Step 12.)
2. If fuel vapor canister is present on passenger side, lower by removing (3) hex head flange bolts. (Save fasteners for use in Step 11.)
3. Lower the exhaust by removing the (2) hex flange bolts from exhaust hanger bracket. Return to vehicle owner. (Leave the muffler attached to the exhaust hanger bracket.)
4. Fishwire a 7/16" carriage bolt and CM-SP2 spacer through the access hole and out each of the two forward holes in the bottom of the passenger side frame rail as shown. (See Fishwire Technique.)
5. Remove the contents of the trunk, including the spare tire. Remove the forward plug on the driver side of the spare tire well. Return plug to vehicle owner.
6. Raise hitch into position over the exhaust, threading the passenger side fishwires through the slots in the passenger side mounting plate. Secure the passenger side with the (2) 7/16" hex flange nuts as shown. Take care not to push the carriage bolts into the frame rail.
7. Position the driver side mount plate between the exhaust hanger bracket and the driver side frame rail and secure using the (2) M8 hex flange bolts as shown.
8. Fishwire the remaining 7/16" carriage bolt and CM-SP2 spacer through the access hole and out the slotted hole on the outer side of the passenger side frame rail as shown and secure with a hex flange nut. Take care not to drop the carriage bolt in the frame rail. (See Fishwire Technique above.)
9. Use silicone caulk (or equivalent) to seal the tire well plug hole from exhaust fumes and water by putting a bead around the hole inside the trunk. Place a 11474-SP spacer onto the hole and put a bead of caulk around the square hole. Install a 1/2" carriage bolt and secure with a hex flange nut from under the vehicle as shown.
10. Torque all M8 hardware to 23 ft-lbs., all 7/16" hardware to 70 ft-lbs. and all 1/2" hardware to 110 ft-lbs.
11. Reinstall the fuel vapor canistor using the hardware removed in Step 2.
12. Trim rear underbody panel to clear the passenger side plate as shown in the Underbody Panel Trim Diagram(s). (NOTE: WAGON OR SEDAN) Reinstall the underbody panel using the torx head screws and hex nuts removed in Step 1.
13. Return spare tire and other items removed to the trunk.

PERIODICALLY CHECK THIS RECEIVER HITCH TO ENSURE THAT ALL FASTENERS ARE TIGHT AND THAT ALL STRUCTURAL COMPONENTS ARE SOUND.

CURT Manufacturing LLC., warrants this product to be free of defects in material and/or workmanship at the time of retail purchase by the original purchaser. If the product is found to be defective, CURT Manufacturing LLC., may repair or replace the product, at their option, when the product is returned, prepaid, with proof of purchase. Alteration to, misuse of, or improper installation of this product voids the warranty. CURT Manufacturing LLC.'s liability is limited to repair or replacement of products found to be defective, and specifically excludes liability for incidental or consequential loss or damage.

This product complies with safety specifications and requirements for connecting devices and towing systems of the state of New York, V.E.S.C.Regulation V-5 and SAE J684.