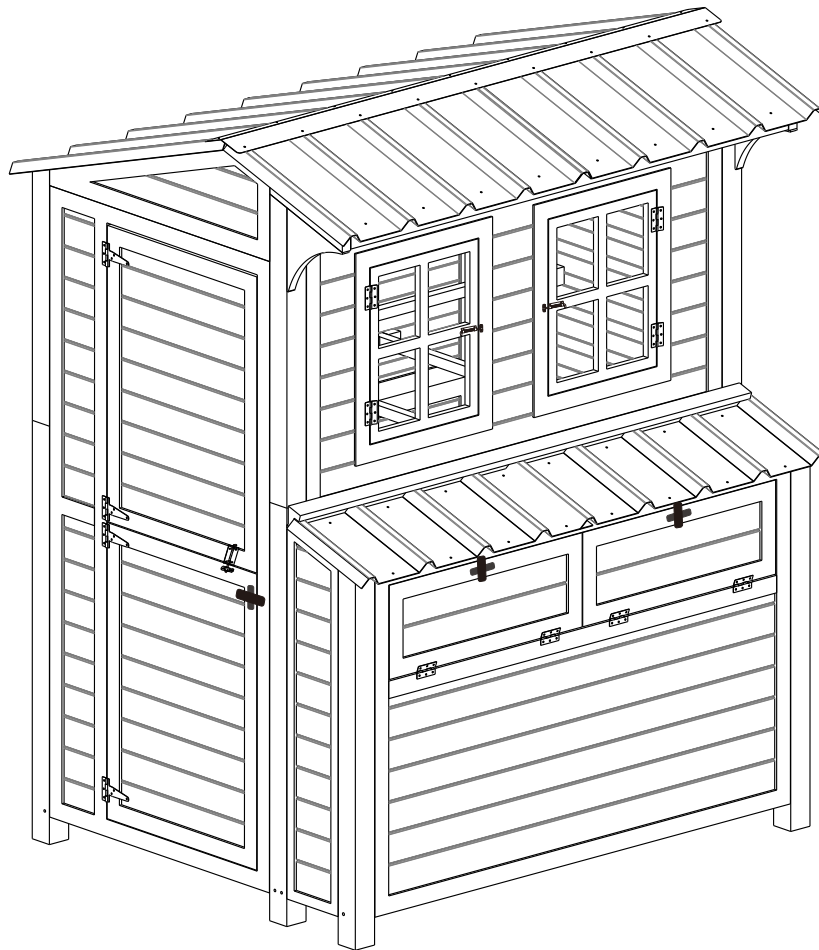
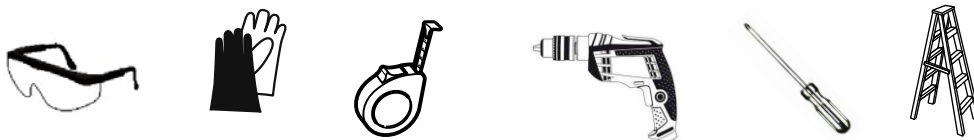


PP MANOR FREE RANGE CHICKEN COOP ASSEMBLY MANUAL

SKU#1994518






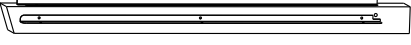
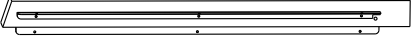



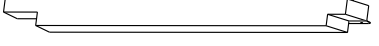



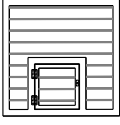
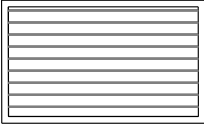

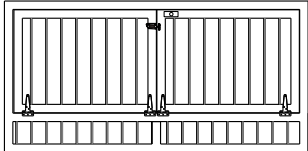
Tools required for assembly (not included)



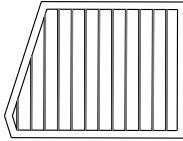
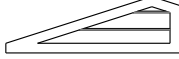
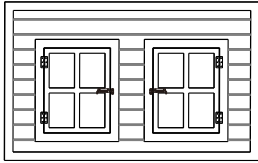
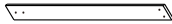



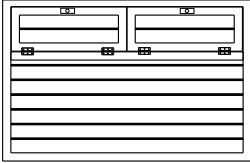
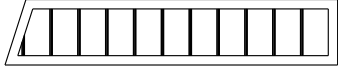
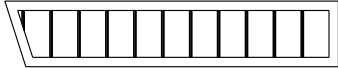

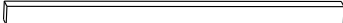
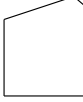


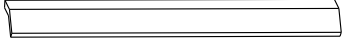
Distributed by: TRACTOR SUPPLY COMPANY
5401 VIRGINIA WAY, BRENTWOOD, TN 37027
For customer support, call: 1-888-376-9601
www.TractorSupply.com
MADE IN CHINA

PARTS LIST


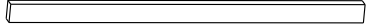
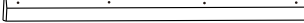
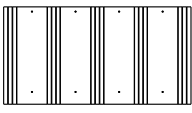
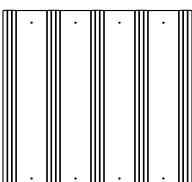
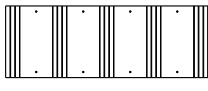
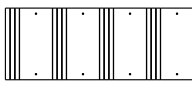
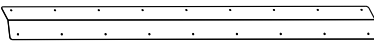

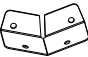
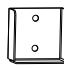


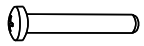

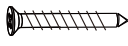

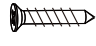

- Make sure you have all the parts before assembly.

Part#	Description	Drawing	Qty.
1	Bottom Post 1		1
2	Bottom Post 2		1
3	Bottom Post 3		2
4	Bottom Post 4-Left		1
5	Bottom Post 4-Right		1
6	Top Post 1		1
7	Top Post 2		1
8	Top Post 3		1
9	Top Post 4		1
10	Floor Frame 1		1
11	Coop OSB Floor Board 1		1
12	Coop PVC Floor Board 1		1
13	Coop Right Side Bottom Panel		1
14	Coop Back Side Bottom Panel		1
15	Coop Back Side Top Panel		1
16	Coop Left Side Door Panel		1

PARTS LIST

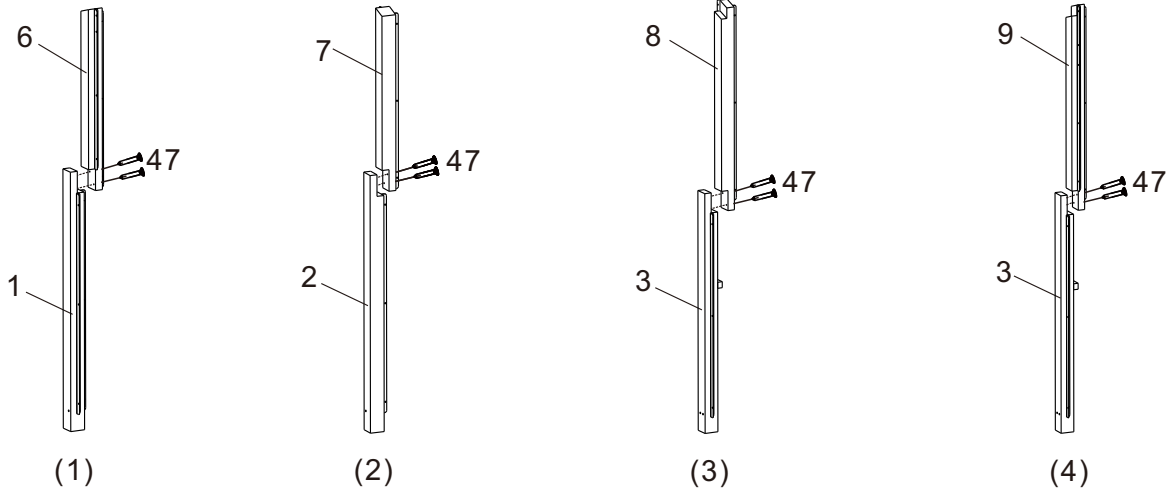
Part#	Description	Drawing	Qty.
17	Coop Right Side Top Panel		1
18	Coop Left Side Top Triangle Panel		1
19	Coop Front Top Window Panel		1
20	Coop Roof Support Brace		2
21	Floor Frame 2		1
22	Bottom OSB Floor Board 2		1
23	Bottom PVC Floor Board 2		1
24	Nesting Box Front Panel		1
25	Nesting Box Left Panel		1
26	Nesting Box Right Panel		1
27	Short Roosting Bar		3
28	Long Roosting Bar		1
29	Nesting Box Divider		3
30	Nesting Box Floor		1
31	Nesting Box Floor Guard		1
32	Coop Roof Support Ridge		1

PARTS LIST

Part#	Description	Drawing	Qty.
33	Coop Roof Corner Support Bracket		2
34	Coop Roof Horizontal Support Bar		1
35	Nesting Box Roof Support Bar		1
36	Coop PVC Roof Panel 1		2
37	Coop PVC Roof Panel 2		2
38-A	Nesting Box PVC Roof Panel 1		1
38-B	Nesting Box PVC Roof Panel 2		1
39	Coop Roof Cover		1
40	Nesting Box Roof Guard		1
41	Bracket for Roof Support Brace		2
42	Roosting Bar U-shape Holder		1
43	T-handle Lock with Longer tongue		2
44	T-handle Lock with short tongue		2
45	Bolt M6x90mm		8
46	Washer		8
47	Self-tapping Screw 4x60mm		16
48	Self-tapping Screw 4x50mm		8
49	Self-tapping Screw 4x30mm		76+2
50	Self-tapping Screw with Washer 4x19mm		74+2

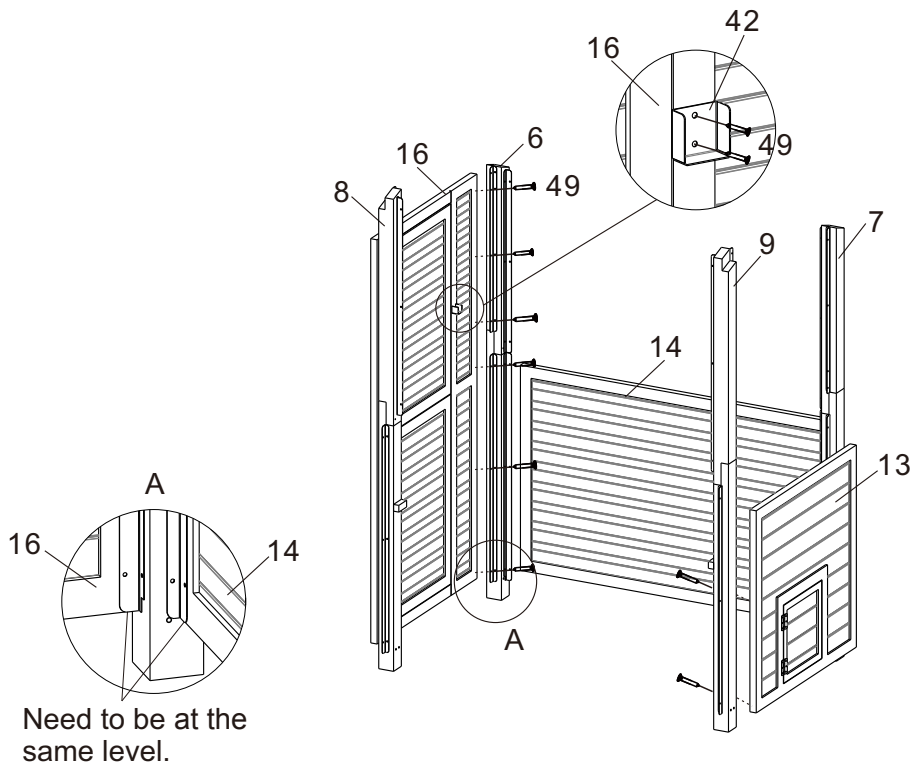
Step 1

- Connect Bottom Post #1, #2, #3 with Top Post #6, #7, #8, #9 separately with Screws #47. Use 2 screws for each connection.



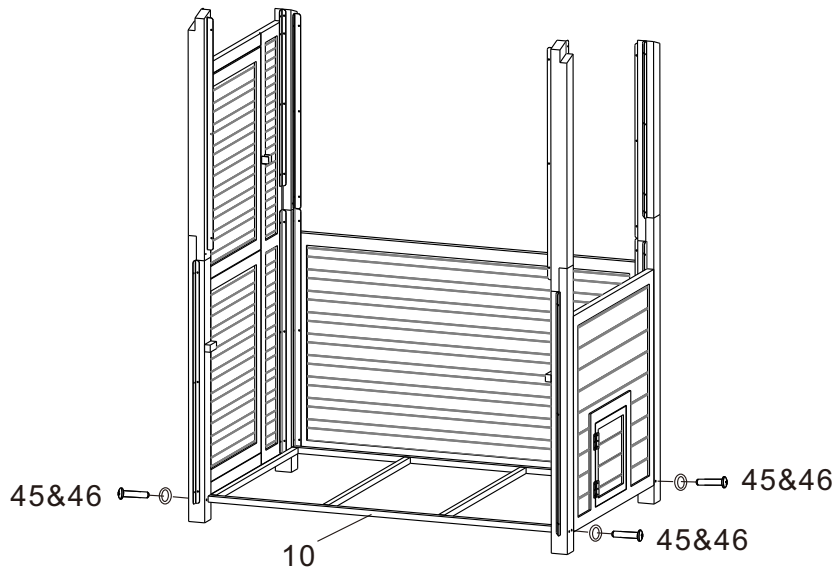
Step 2

- Fix Bottom Right Panel (#13), Bottom Back Panel (#14) and Door Panel (#16) to the connected posts (step 1) by screws (#49). Make sure the Panel bottom line is align with the bottom edge of L-shape groove.
- On Door Panel (#16), there are pre-drilled holes for U-shape Holder (#42). Please fix #42 at this spot by 2pcs Screws (#49).



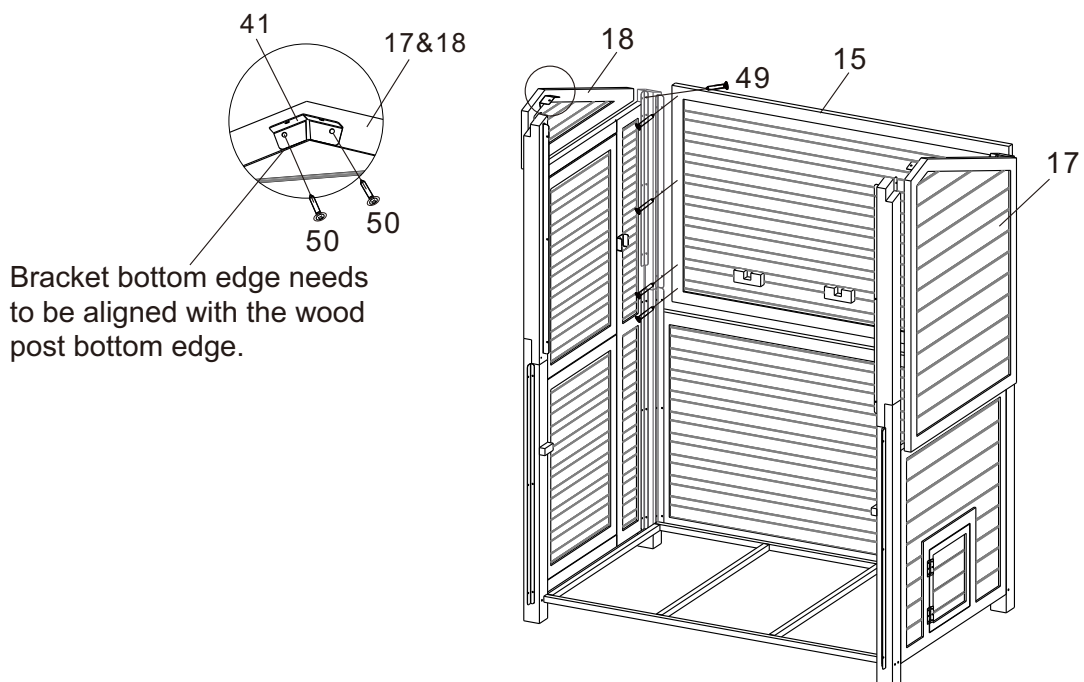
Step 3

- Fix the Floor Frame 1 (#10) to the 4 Posts by Bolt (#45) and Washer (#46).



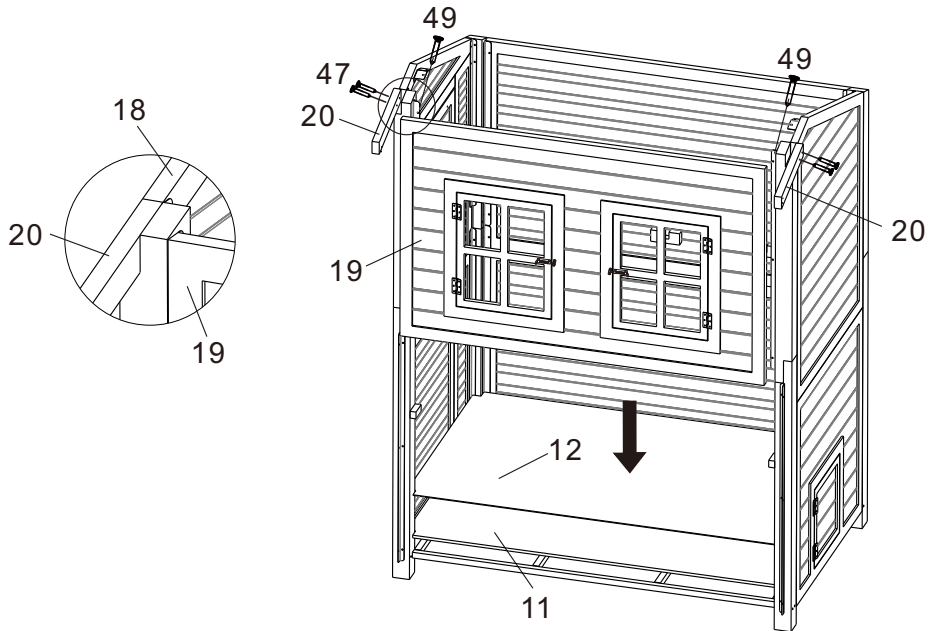
Step 4

- Fix Brackets (#41) on Panels (#17 & #18), each panel 1pc.
- Assemble Panels (#15, #17, #18) by Screws (#49).



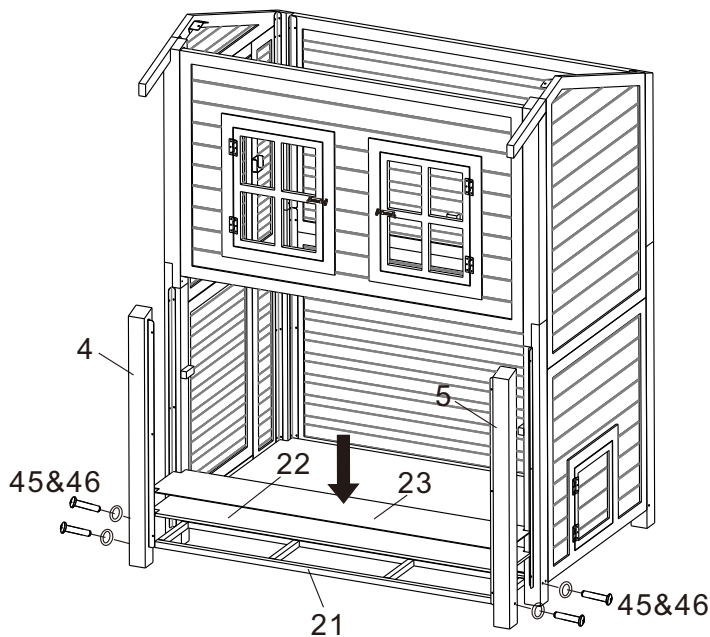
Step 5

- Fix the Coop Front Window Panel (#19) to the two front posts.
- Fix Roof Front Support Brace (#20) as below diagram by Screws (#47).
- Put OSB Floor Board 1 (#11) on top of the Floor Frame (#10), then put the PVC Floor Board 1 (#12) on top of #11.



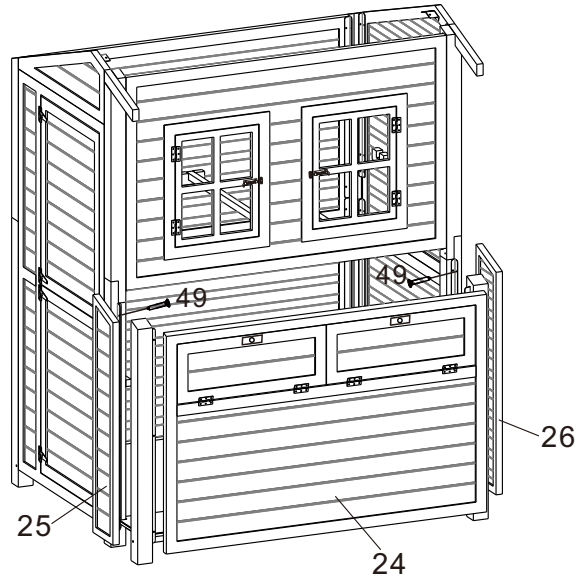
Step 6

- Assemble two Nesting Box Posts (#4, #5) and the Bottom Floor Frame 2 (#21) to the main structure by Bot (#45) and Washer (#46).
- Put OSB Floor Board 2 (#22) on top of the Floor Frame (#21), then put the PVC Floor Board 2 (#23) on top of #22.



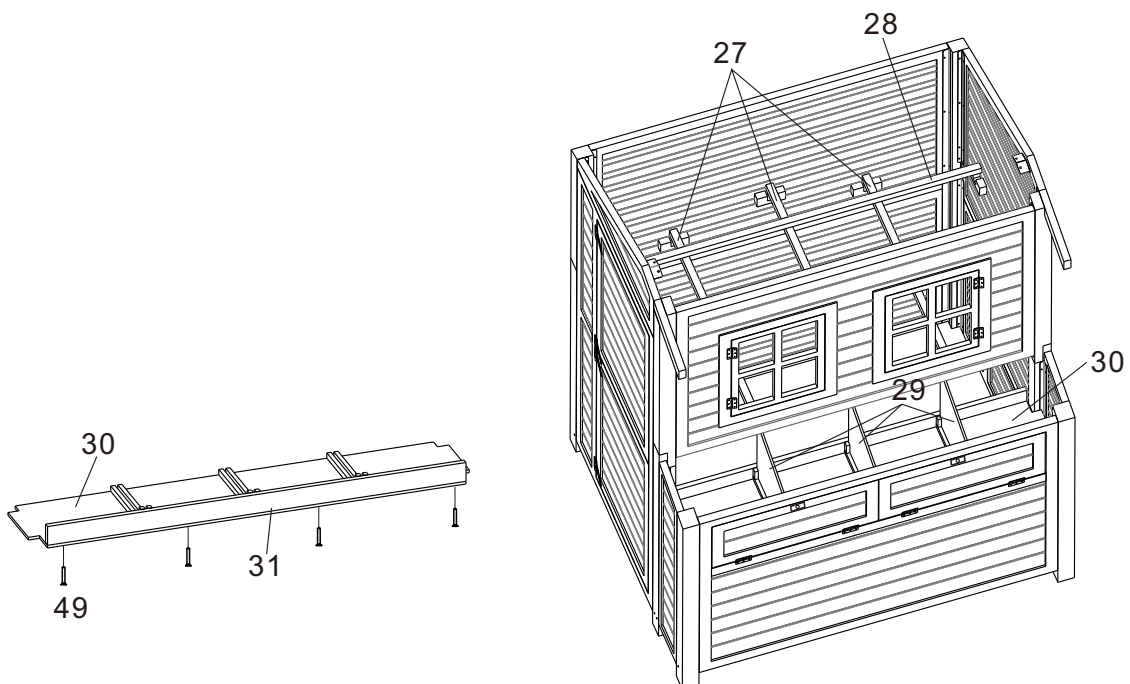
Step 7

- Assemble the Nesting Box Front Panel (#24), Left Panel (#25), and Right Panel (#26) by Screws (#49).



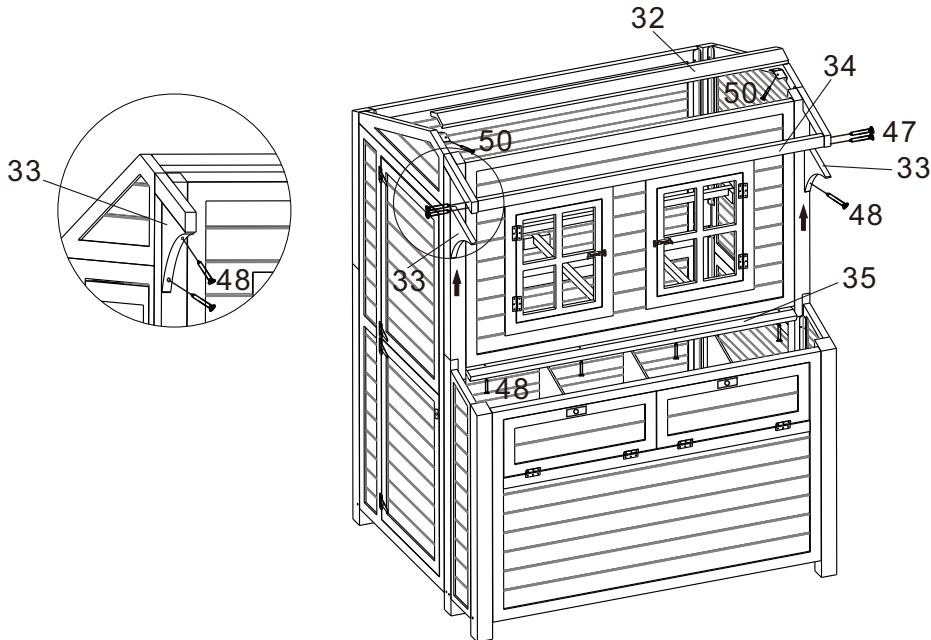
Step 8

- Put Roosting Bars (#27 & #28) on the Roosting Bar Holders.
- Connect Nesting Box Floor (#30) to the Nesting Box Floor Guard (#31) by Screws (#49), then put it into the nesting box as the diagram. Insert the Nesting Box Divider (#29) into the Nesting Box.



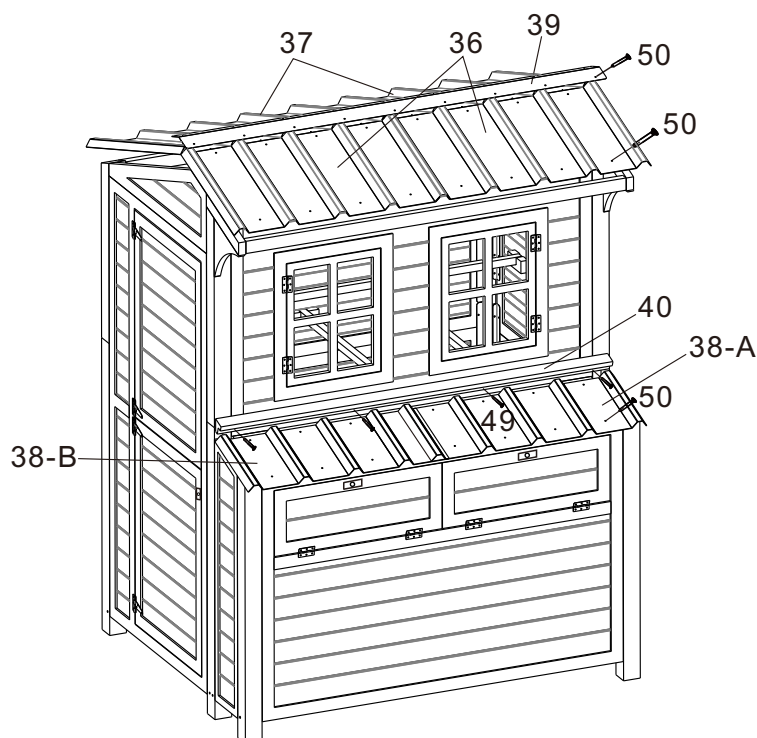
Step 9

- Fix the Roof Panel Support Ridge (#32) on the peak by Screws (#50).
- Fix the two sides Brackets (#33) by Screws (#48).
- Fix the Coop Roof Horizontal Support Bar (#34) by Screws (#47).
- Fix Nesting Box Roof support (#35) by Screws (#48).



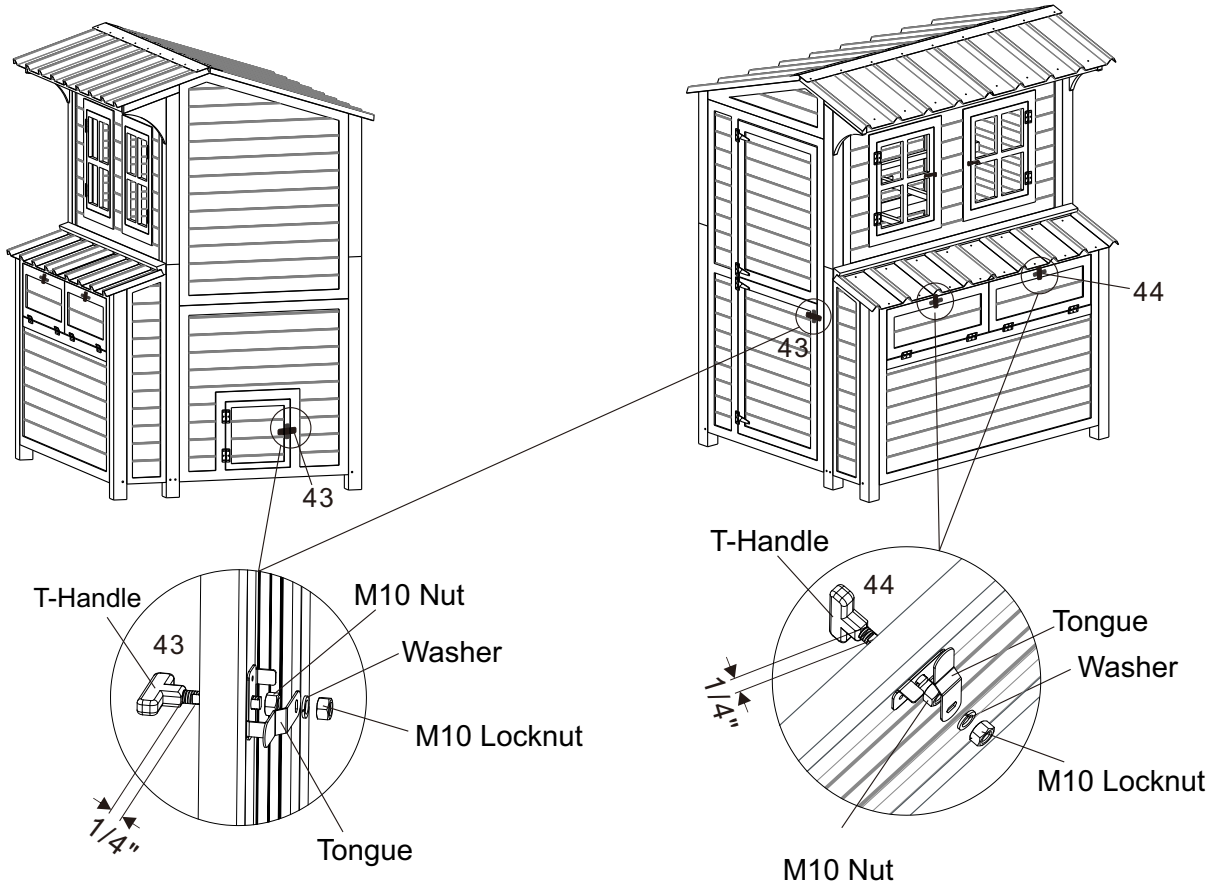
Step 10

- Fix the PVC Roof Panels (#36, #37, each 2pcs) by screws (#50). Then cover the Roof Cover (#39) on top and fix it by Screws (#50).
- Fix the Nesting Box Roof Panels (#38A, #38B) by Screws (#50), then put the Nesting Box Roof Guard (#40) on top edge of the Roof Panel and fix it by Screws (#49).



Step 11

- Fix the two T-handle Locks with long tongue (#43) to the two coop side panels; and two T-handle Locks with short tongue (#44) to the two nesting box doors.



T-Handle Lock Assembly:

- Insert T-handle shaft into the pre-drilled hole on the wood panel, leaving 1/4" space outside. Then from the back of the panel, tighten the M10 nut (not the Locknut) first, then put the Tongue in, make sure the tongue is in the same direction of the T-handle, fix the washer and M10 Locknut and tighten them.
- Push first before you turn the T-handle.

Now the assembly is finished.