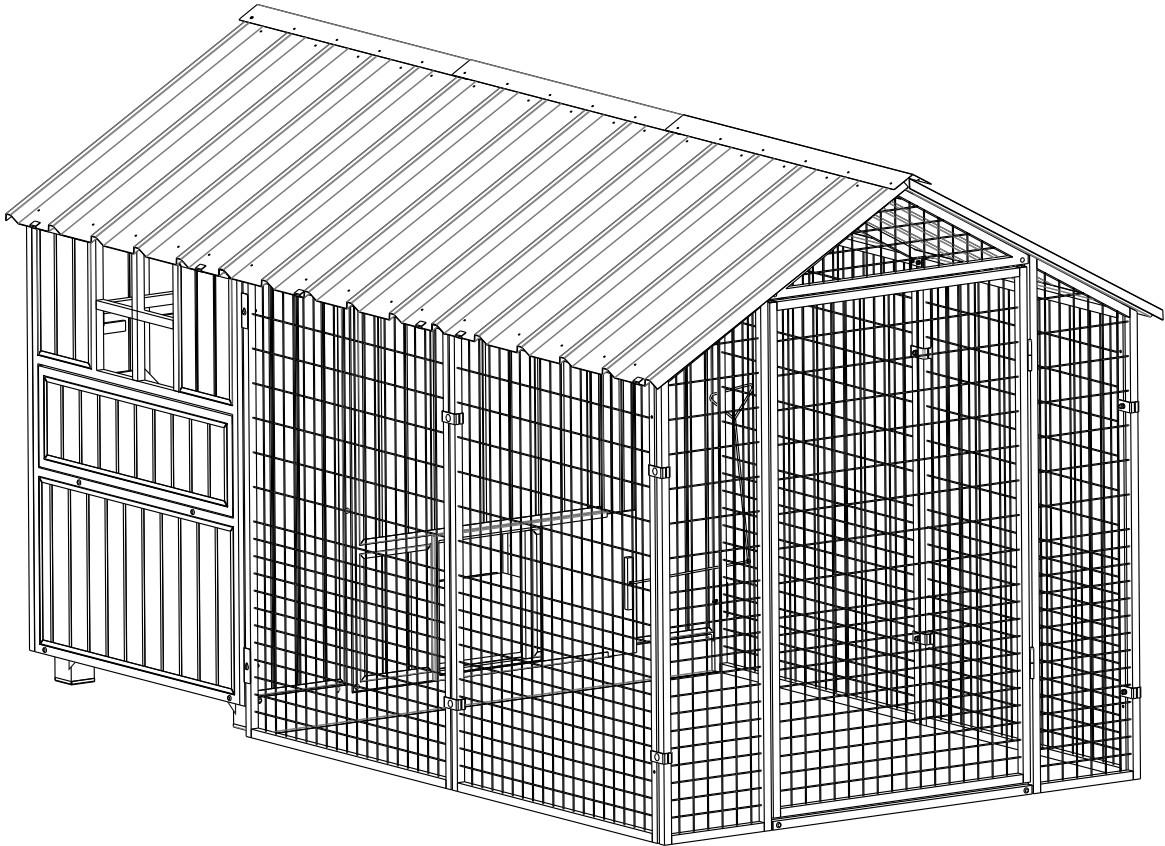


PP GUARDIAN CHICKEN COOP ASSEMBLY MANUAL

Producer's
PRIDE

SKU# 1994517

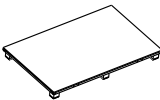
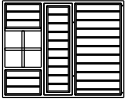

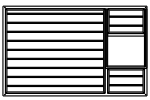


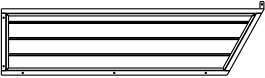




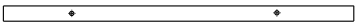

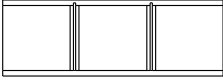
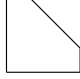


Tools required for assembly (not included)

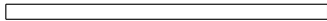

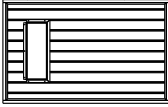
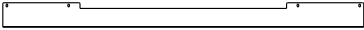
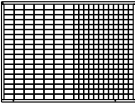
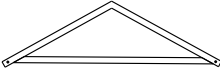
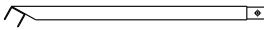
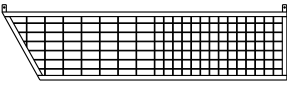


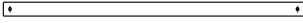
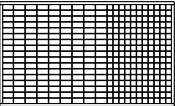
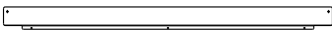
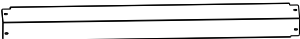



Distributed by: TRACTOR SUPPLY COMPANY
5401 VIRGINIA WAY, BRENTWOOD, TN 37027
For customer support, call: 1-888-376-9601
www.TractorSupply.com
MADE IN CHINA

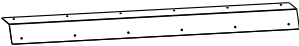
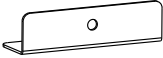
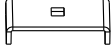
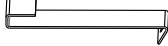


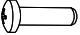
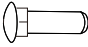


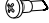
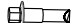

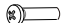
PARTS LIST

Part#	Description	Drawing	Qty.
1	Coop Floor		1
2	Coop Left Wood Panel		1
3	Coop Front Panel-Left Side		1
4	Coop Front Panel-Middle		1
5	Coop Front Panel-Top Triangle		1
6	Sliding Door		1
7	Coop Front Panel-Right Side		1
8	Coop Right Wood Panel		1
9	Coop Back Panel-Left Side		1
10	Coop Back Panel-Right Side		1
11	Coop Back Panel-Top Triangle		1
12	Nesting Box Support Bar-1		1
13	Nesting Box Support Bar-2		2
14	Nesting Box Bottom Board		1
15	Nesting Box Divider		2

PARTS LIST

Part#	Description	Drawing	Qty.
16	Short Roosting Bar		1
17	Long Roosting Bar		2
18	Back Door Panel		1
19	Guard Sheet		1
20	Mesh Side Panel		4
21	Roof Support Frame 1		1
22	Roof Support Frame 2		2
23	Mesh Door-Left Panel		1
24	Mesh Door-Right Panel		1
25	Mesh Door-Top Triangle Panel		1
26	Door Bottom Bar		1
27	Mesh Door Panel		1
28	Shoulder Support Frame		6
29	Roof Ridge Support Frame		3
30	Roof PVC Panel		6

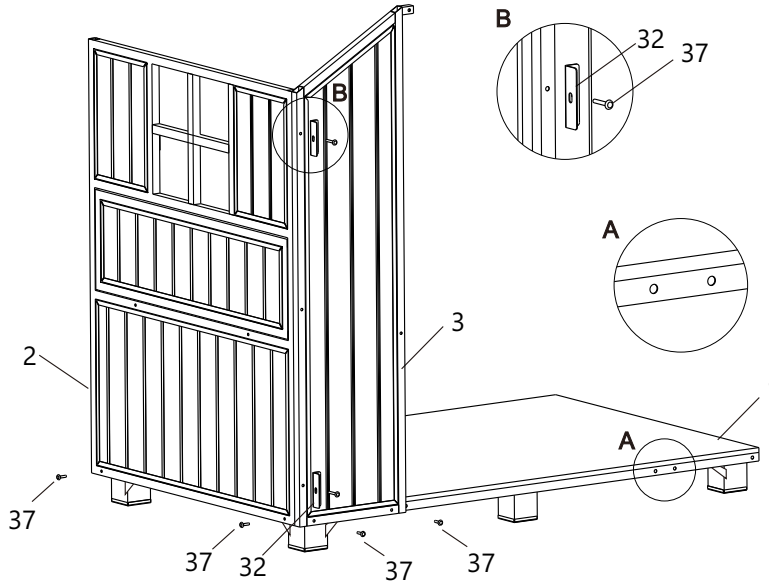
PARTS LIST

Part#	Description	Drawing	Qty.
31	Roof Ridge Metal Cover		3
32	Coop Connecting Metal		4
33	Metal Panel Clamps		16
34	Roof Panel Hook		12
35	Sliding Door Helper		1
36	Door Latch		2
37	M6x40 Bolt		52+3
38	M8x45 Bolt		8+1
39	M6 Nut		20+2
40	M8 Nut		8+1
41	Self-tapping Screw 3.5x13		8+2
42	Hexagonal Self-tapping Screw		94+10
43	Tapping Screw 3.9x19		32+5
44	M4x20 Bolt		1

ASSEMBLY

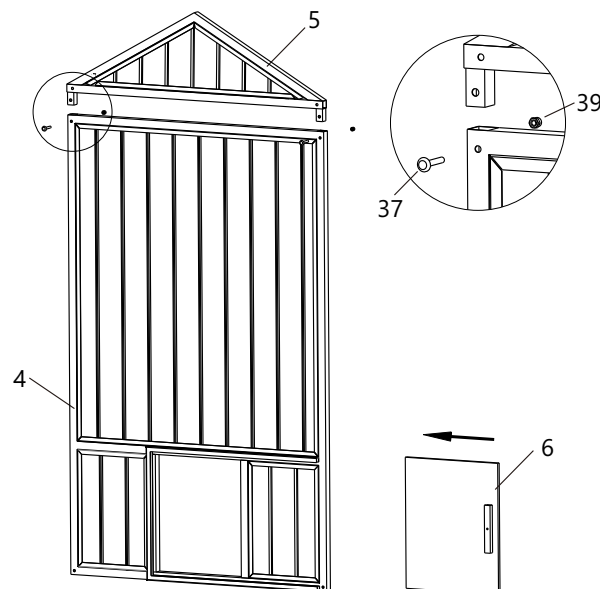
Step 1

- A. Identify the front of the Coop Floor. (On the front side, there are two holes in circle A).
- B. Follow below diagram, fix Coop Floor (#1), Coop Left Wood Panel (#2), and Coop Front Panel-Left Side (#3) together by Bolt (#37).
- C. On the left edge of the Front Panel, fix two pcs of Coop Connecting Metal (#32) with Bolt (#37) for later use.



Step 2

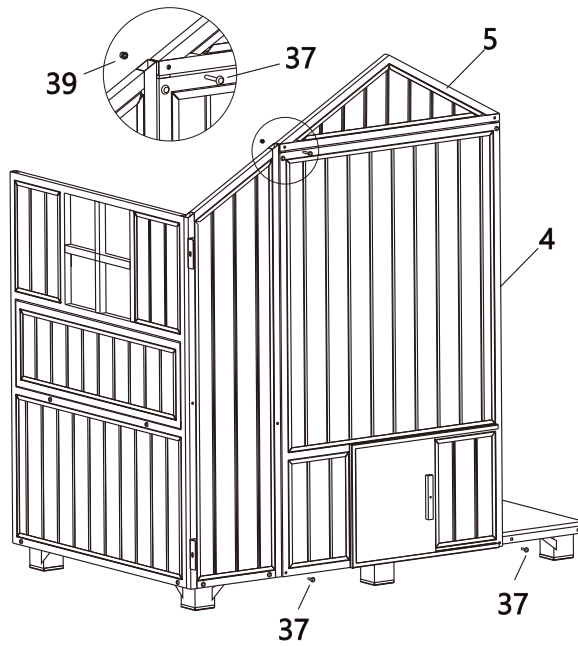
- Fix Coop Front Panel-Top Triangle (#5) on the top of Coop Front Panel-Middle (#4), by Bolt (#37) and Nut (39#). Then insert the Sliding door (#6) in the to U-channel.



ASSEMBLY

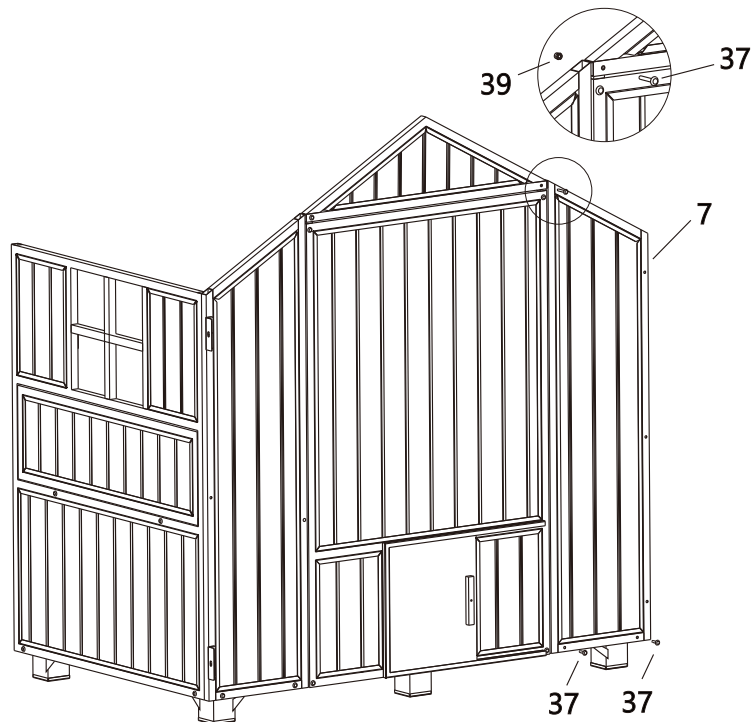
Step 3

- Assemble the (#4) & (#5) combination part into the Coop by Bolt (#37), and Nuts(#39), next to (#3).



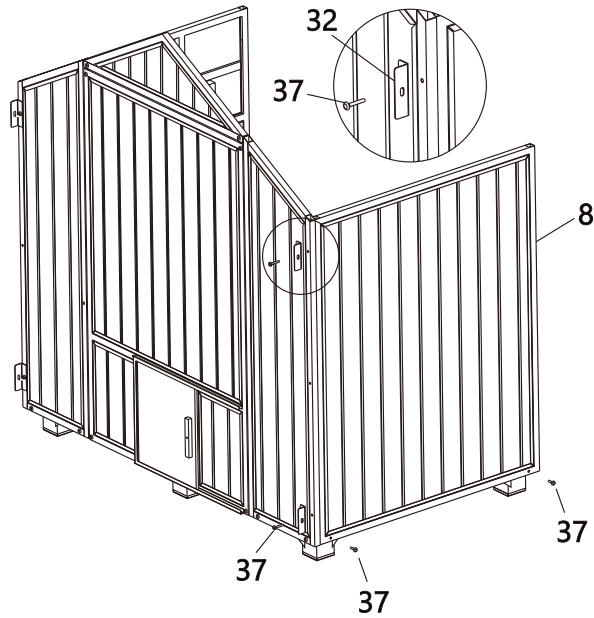
Step 4

- Continue to fix the Coop Front Panel-Right Panel (#7) as below diagram by Bolt (#37), and Nuts(#39).



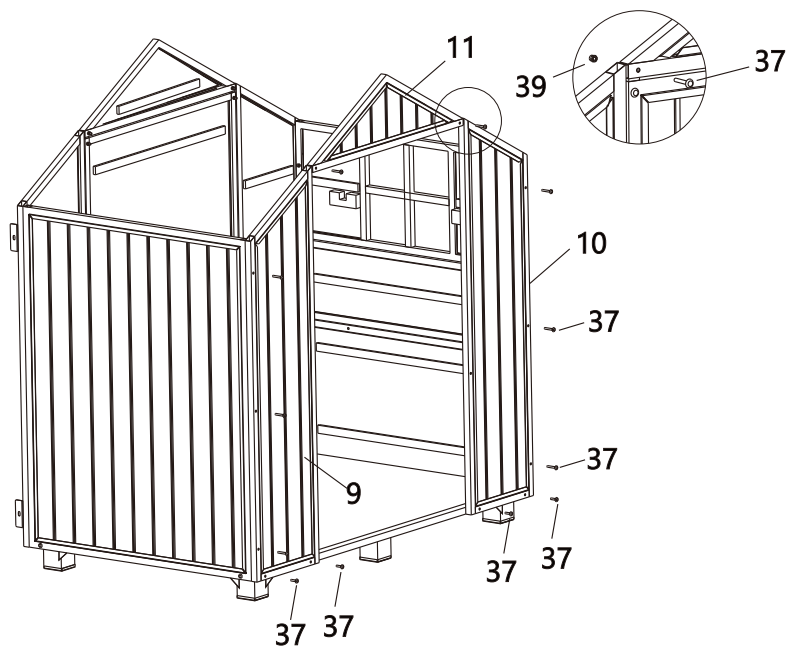
Step 5

- Attach the Coop Right Wood Panel (#8) by Bolt (#37). Then fix the rest 2pcs of Coop Connecting Metal (#32) with Bolt (#37) on the right edge of the front panel.



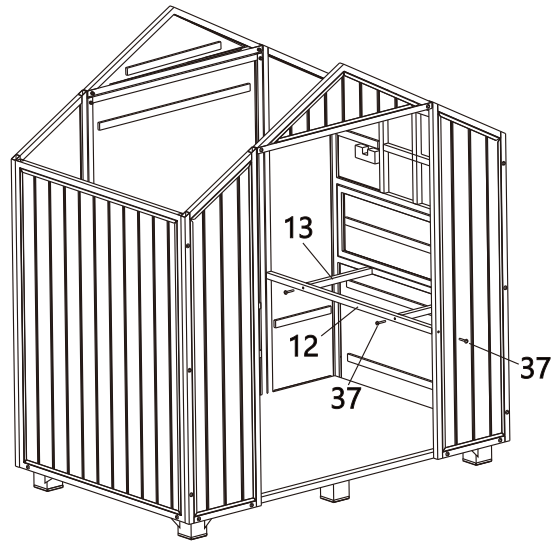
Step 6

- Repeat above steps assemble Coop Back Panel-Left Side (#9), Coop Back Panel-Right Side (#10), and Coop Back Panel-Top Triangle Part (#11) by Bolt (#37) and Nut (39#).



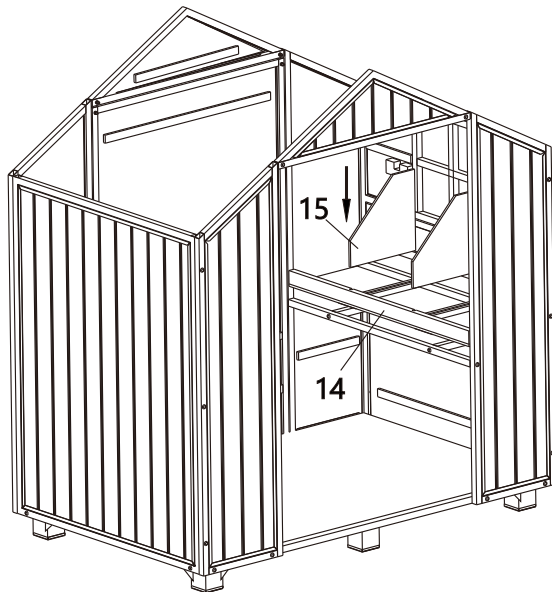
Step 7

- Follow below diagram, fix the Nesting Box Support Bars (#12 & #13) by Bolt (#37).



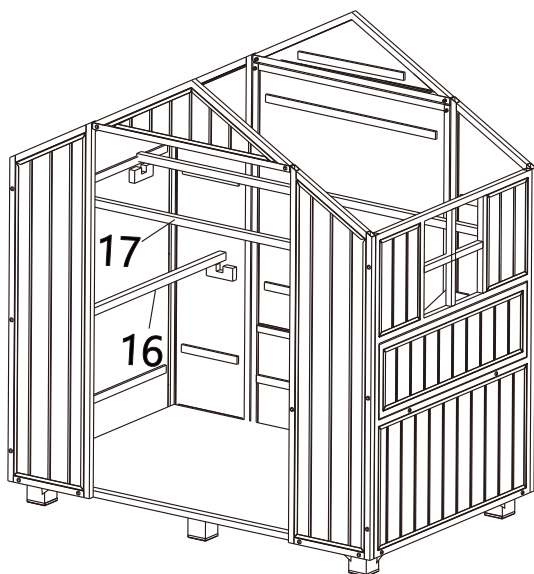
Step 8

- Attach the Nesting Box Bottom Board (#14) and Nesting Box Divider (#15).



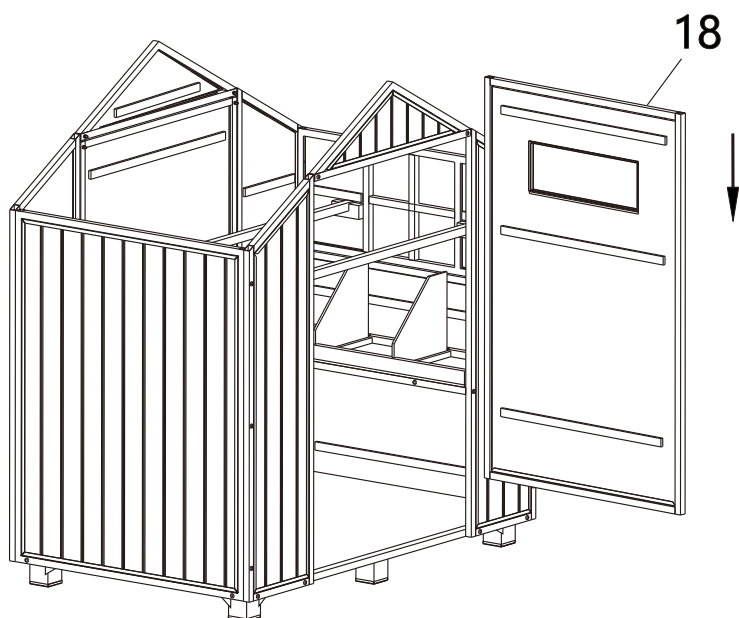
Step 9

- Insert the Short Roosting Bar(#16) and Long Roosting Bar (#17).



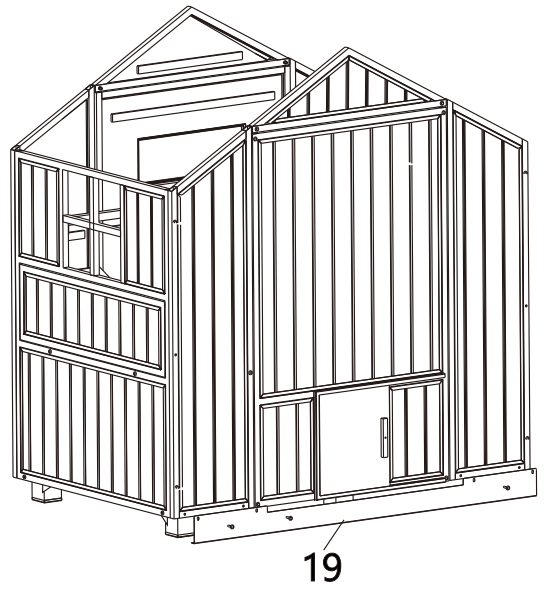
Step 10

- Fix the Door Panel(#18) into its position.



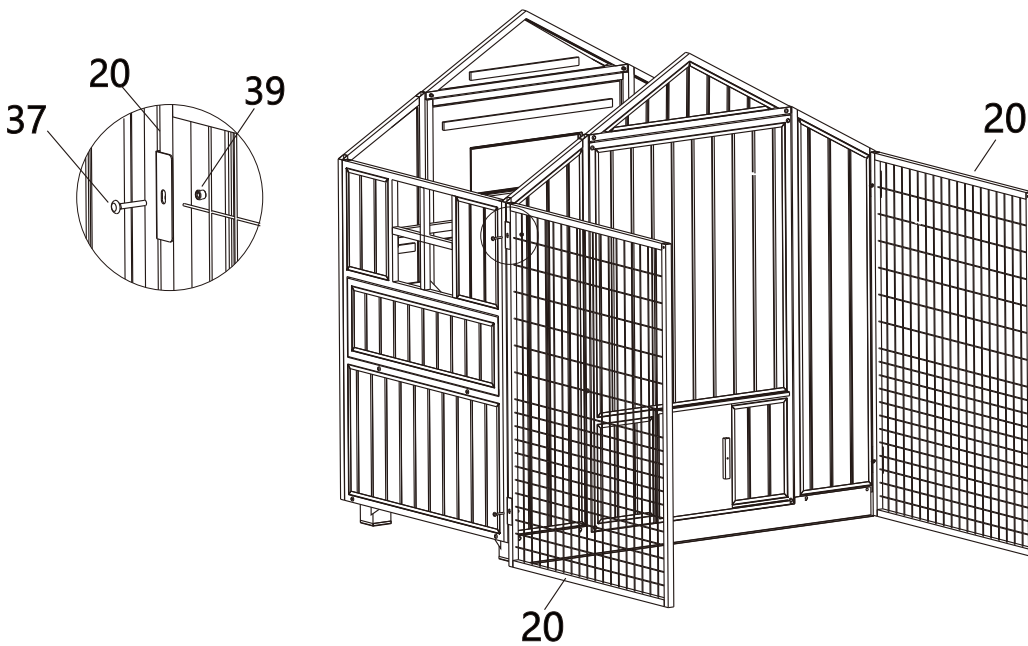
Step 11

- Loosen the 4 screws in the Coop Floor, fix the Guard Sheet (#19) as below diagram, then reattach it.



Step 12

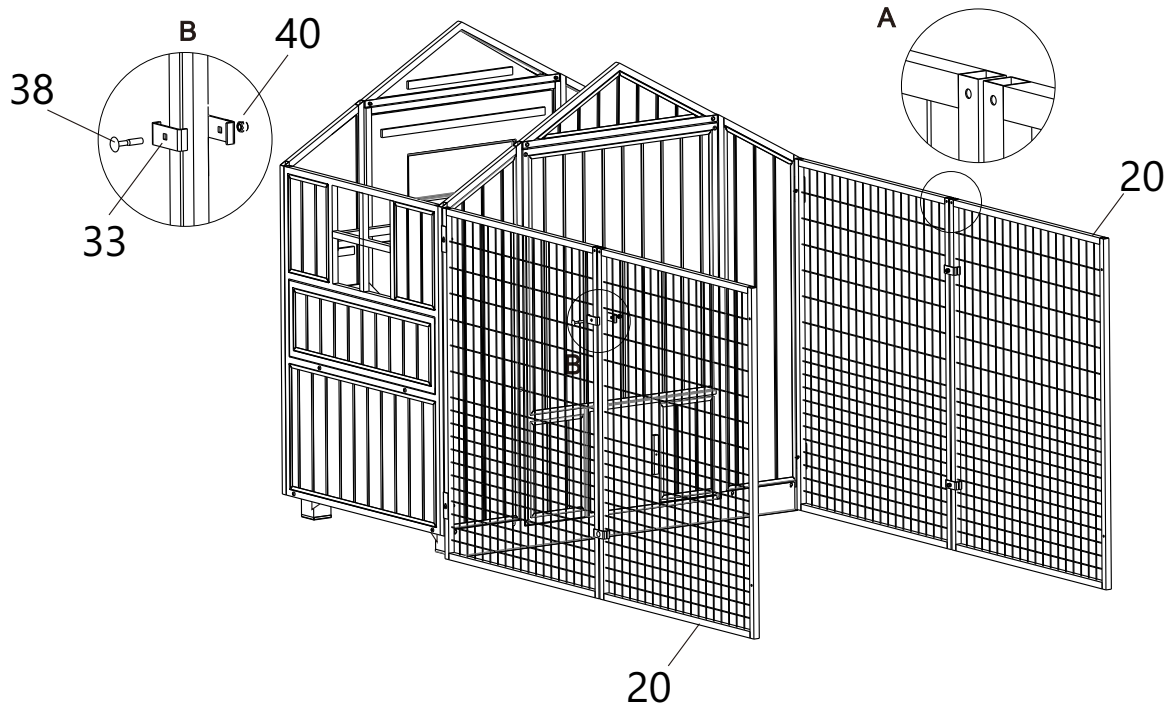
- Put the Mesh Side Panel (#20) next to the Coop Connecting Metal (#32), connect it to the Coop part by Bolt (#37) and Nut (#39).



ASSEMBLY

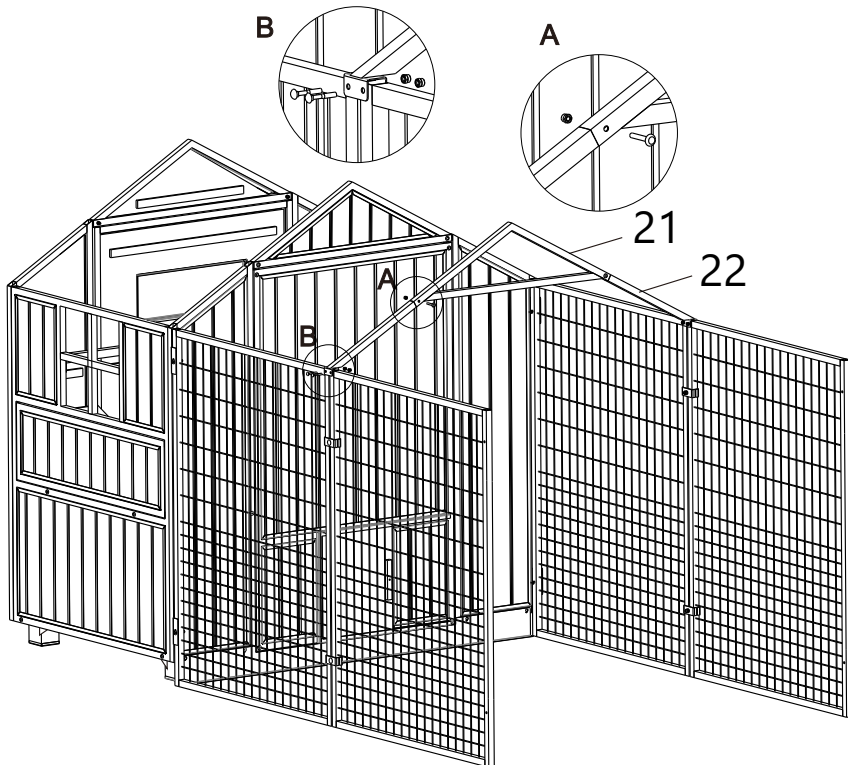
Step 13

- Continue to assemble the remaining 2pcs Mesh Side Panel (#20) by Clamps (#33), Bolt (#38) and Nut (#40).



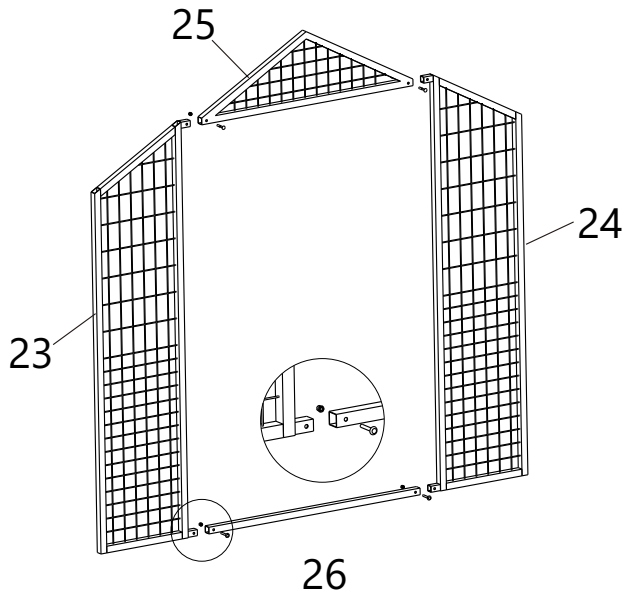
Step 14

- Assemble Roof Support Frame 1 (#21) and Roof Support Frame 2 (#22) by Bolt (#37) and Nut (#39).



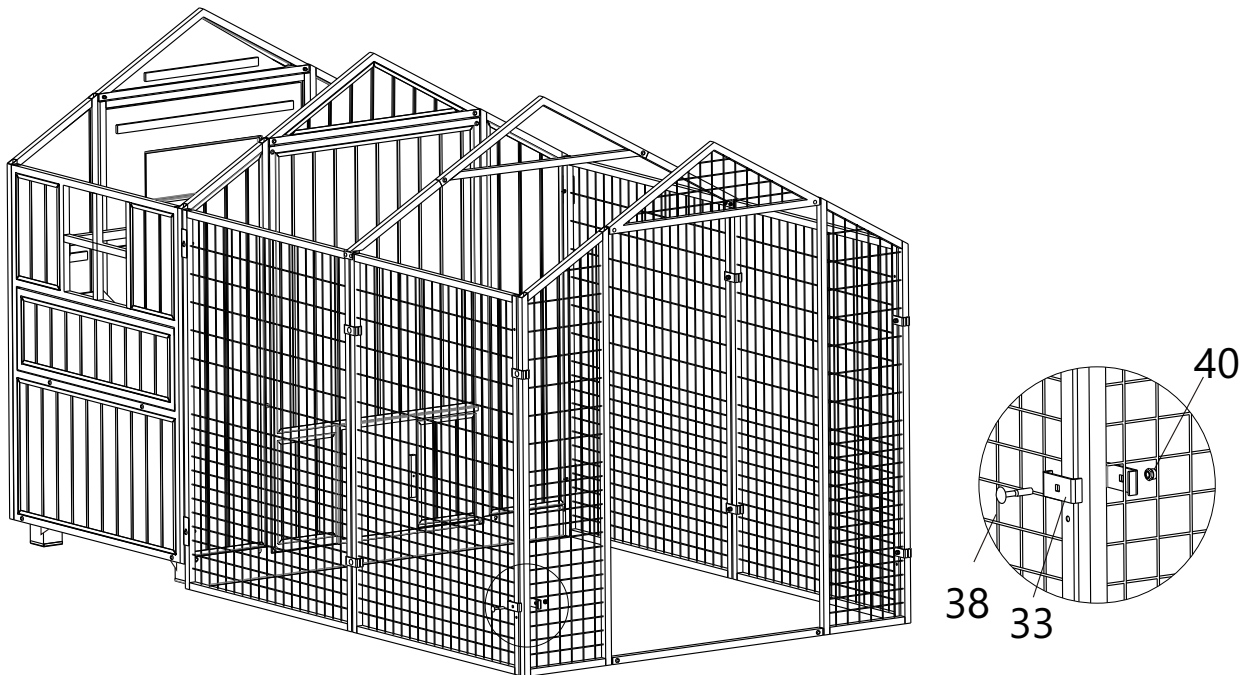
Step 15

- Follow below diagram, use Mesh Door-Left Panel (#23), Mesh Door-Right Panel (#24), Mesh Door-Top Triangle Panel (#25) and Door Bottom Bar (#26), to finish the frame structure of the mesh door.



Step 16

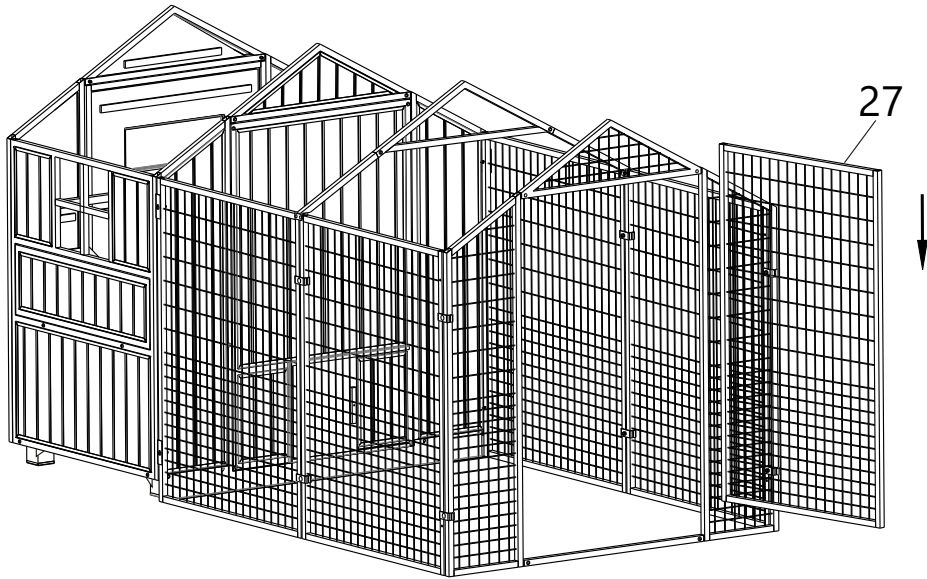
- Attach the Mesh Door Frame from Step 15 into the main frame by Clamp (#33), Bolt (#38) and Nut (#40).



ASSEMBLY

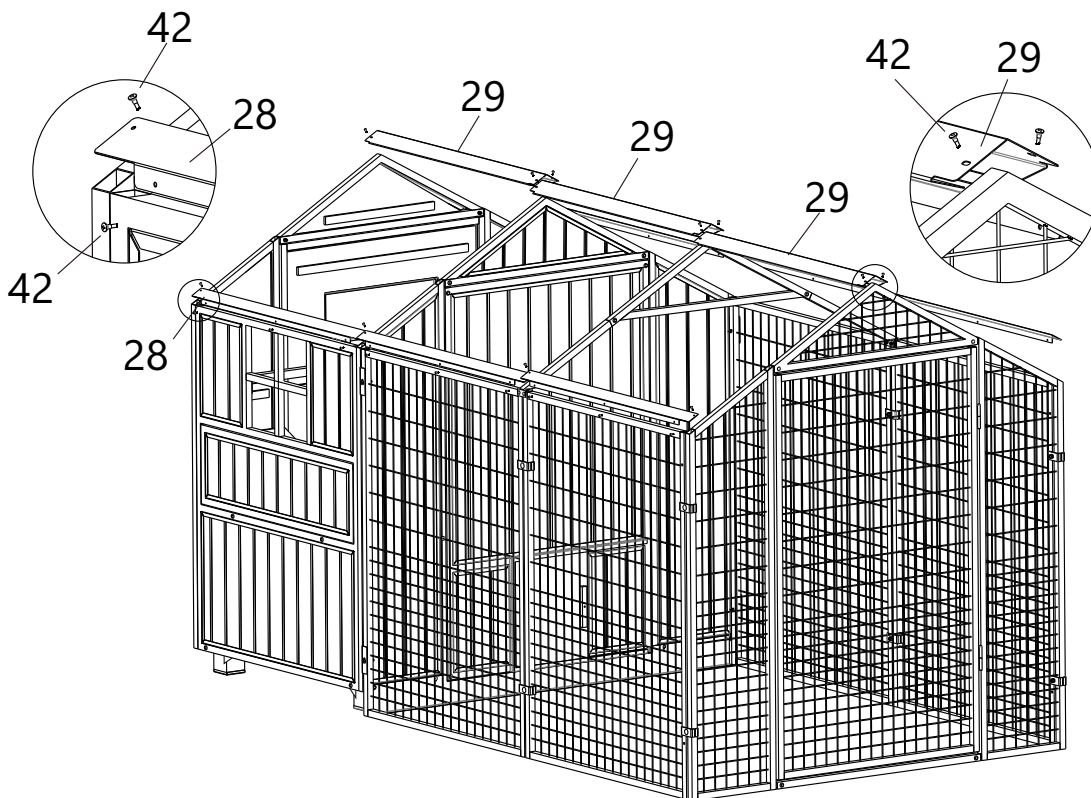
Step 17

- Slide the Metal Door (#27) into its position.



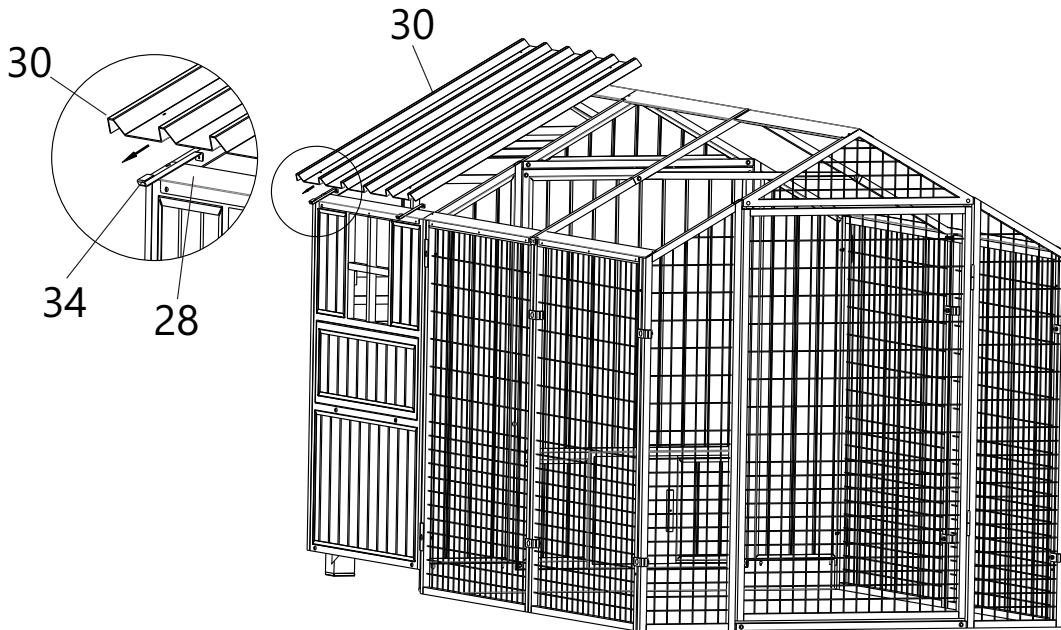
Step 18

- Fix the Shoulder Support Frame (#28) and Ridge Support Frame (#29) by Hexagonal Self-tapping Screw (#42).



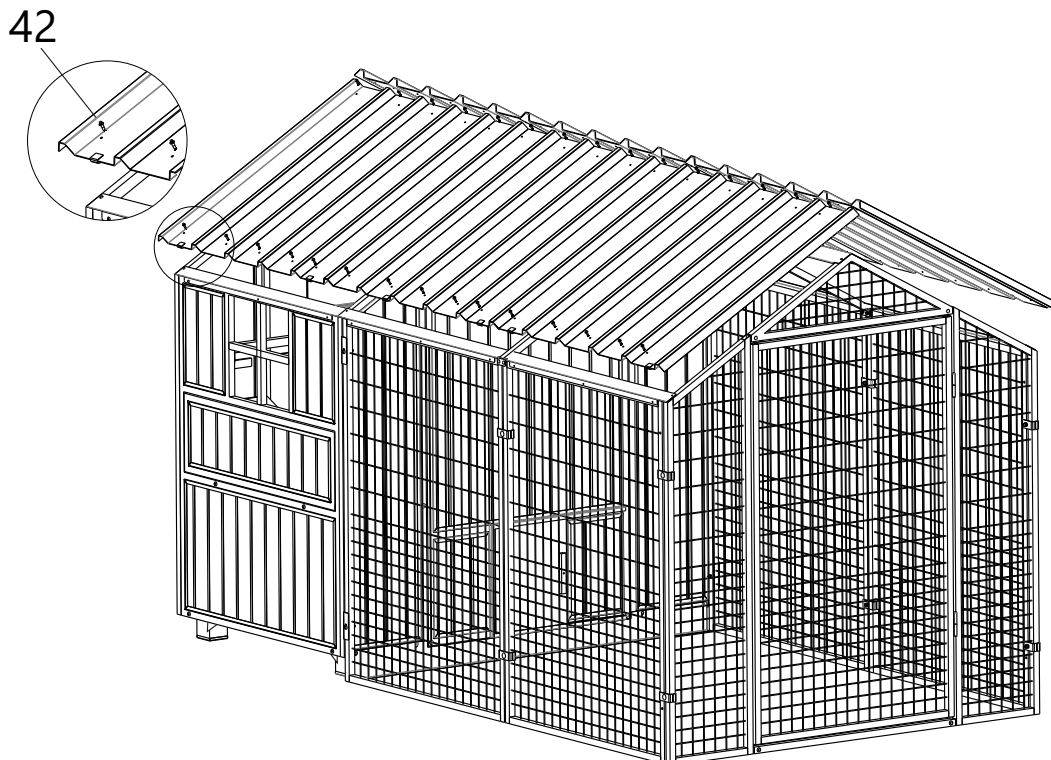
Step 19

- Hook 2pc of Roof Panel Hook (#34) from one side of the Shoulder Support Frame (#28) as below diagram, then put one pc of PVC panel on the Panel Hook (#34). Keep the roof panel held in place with the help of (#34). Do not screw down the roof panel .



Step 20

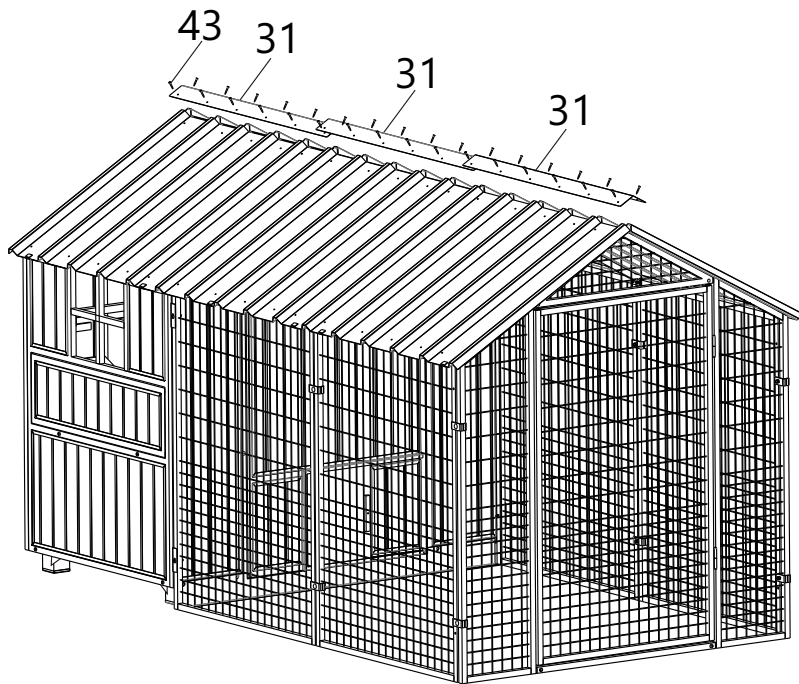
- Repeat Step 19, put remaining panels on the roof frame, adjust to make sure they are properly aligned, then fix all the roof panel by Hexagonal Self-tapping Screw (#42).



ASSEMBLY

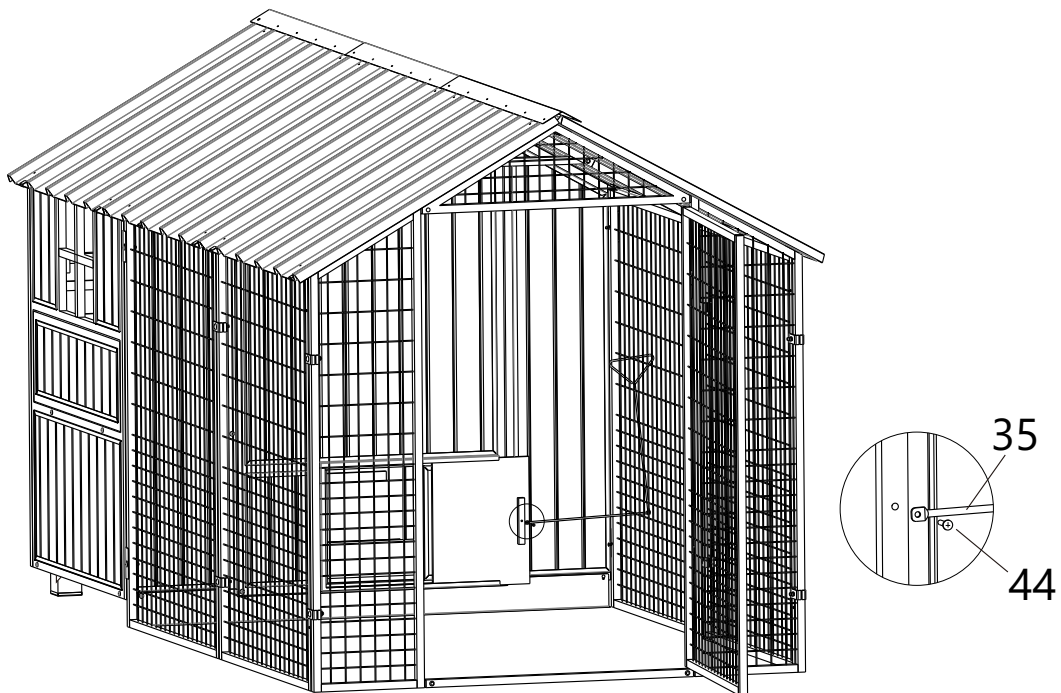
Step 21

- Fix the Roof Ridge Metal Cover (#31) by Self Tapping Screw (#43).



Step 22

- Attach the Sliding Door Helper (#35) by Bolt (#44).



Step 23

- Fix the Door Latch on the mesh door and wood door separately, by Screw (#41).

