

Part No.	Type	Capacity (mm)	Length	Principle Material	Finish Type
TPLR06RT	RT (Rounded)	2.1" (54 mm)	6"	Steel	Black Nickel Chrome
TPLR09RT	RT (Rounded)	4.5" (112 mm)	9"	Steel	Black Nickel Chrome
TPLR11RT	RT (Rounded)	3.4" (85 mm)	11"	Steel	Black Nickel Chrome
TPLR14RT	RT (Rounded)	5" (127 mm)	14"	Steel	Black Nickel Chrome
TPLR18RT	RT (Rounded)	8" (200 mm)	18"	Steel	Black Nickel Chrome
TPLR24RT	RT (Rounded)	11" (300 mm)	24"	Steel	Black Nickel Chrome
TPLS06SP	SP (Pad)	2.1" (54 mm)	6"	Steel	Black Nickel Chrome
TPLS09SP	SP (Pad)	4.5" (112 mm)	9"	Steel	Black Nickel Chrome
TPLS11SP	SP (Pad)	3.4" (85 mm)	11"	Steel	Black Nickel Chrome
TPLS14SP	SP (Pad)	5" (127 mm)	14"	Steel	Black Nickel Chrome
TPLS18SP	SP (Pad)	8" (200 mm)	18"	Steel	Black Nickel Chrome
TPLS24SP	SP (Pad)	11" (300 mm)	24"	Steel	Black Nickel Chrome

Durable Hanging Card



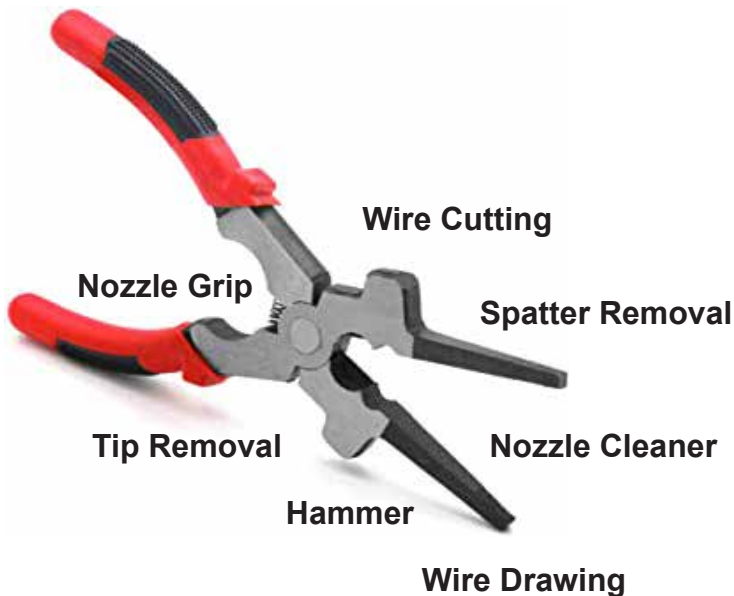
Descriptive Packaging

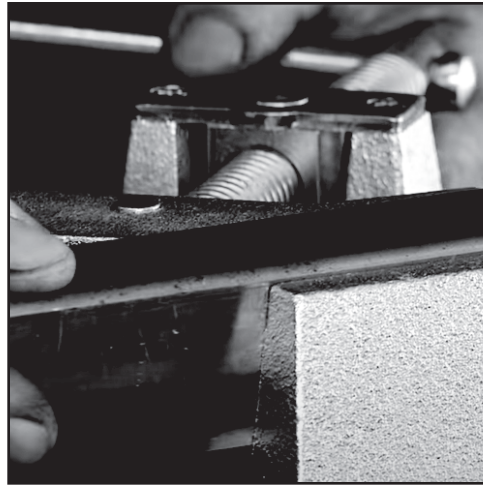
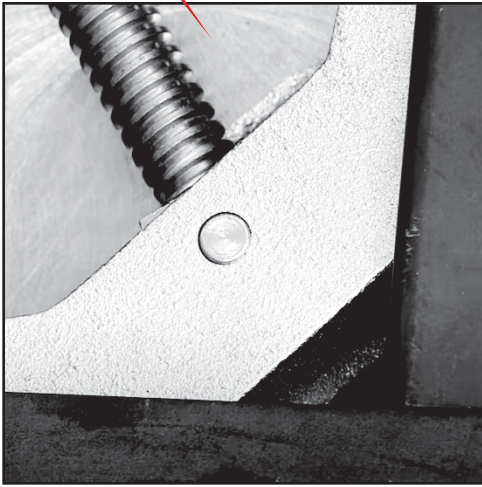
Heavy Duty Rubber Grip



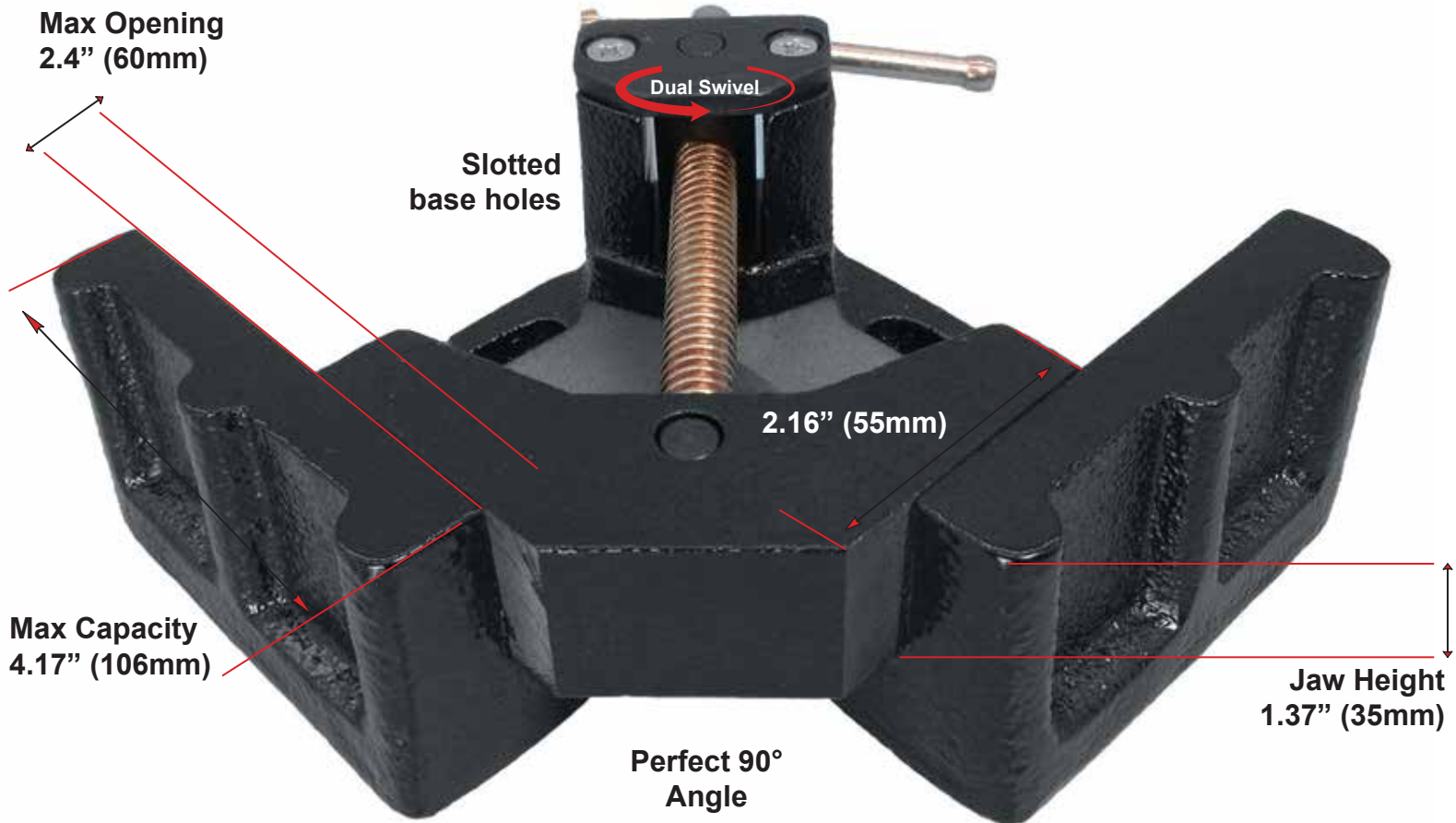


Part No.	Type	Capacity (mm)	Length	Principle Material	Finish Type
TPLCJ10 TPLCH10	Curved Jaw Chain Locking	na 8"	10" 10"	Steel Steel	Black Nickel Chrome Black Nickel Chrome
TPKP10QR TPKP12QR TPKP16QR	Groove Joint QR Groove Joint QR Groove Joint QR	1.2" (30 mm) 1.57" (40 mm) 3.15" (80 mm)	10" 12" 16"	Steel Steel Steel	Black Oxide Black Oxide Black Oxide
TP5009MP	MIG Multi-Purpose	na	8"	Steel	Black Phosphate
TPSM08 TPSM10	Sheet Metal Sheet Metal	0.5" (12.7 mm) 0.6" (15 mm)	8" 10"	Steel Steel	Black Nickel Chrome Black Nickel Chrome
TPLU09 TPLU10	"U" Shape "U" Shape	1.63" (41.4 mm) 2.76" (70 mm)	9" 10"	Steel Steel	Black Nickel Chrome Black Nickel Chrome





Part No.	Type	Capacity (mm)	Length	Principle Material	Finish Type
TVW2A22	2-Axis	4.1" (105mm)	na	Ductile Cast Iron	Black Painted Copper PLT Screw





Part No.	Type	Capacity (mm)	Length	Principle Material	Finish Type
TWOE3214	Open Ended	1-5/8"	19"	Forged Steel	Black Phosphate
TWOE3222	Open Ended	1-1/8"	16"	Forged Steel	Black Phosphate
TWOE3212	Open Ended	1-1/4"	16"	Forged Steel	Black Phosphate
TWOE3210	Open Ended	7/8"	14"	Forged Steel	Black Phosphate
TWOE3213	Open Ended	1-7/16"	17"	Forged Steel	Black Phosphate
TWOE3211	Open Ended	1-1/16"	15"	Forged Steel	Black Phosphate
TWAE08	Adjustable	1.18" (30 mm)	8"	Forged Steel	Black Phosphate
TWAE10	Adjustable	1.34" (34 mm)	10"	Forged Steel	Black Phosphate
TWAE12	Adjustable	1.61" (41 mm)	12"	Forged Steel	Black Phosphate

Continuous-tapered handle for use with aligning bolt and rivet holes in girders and beams

Precision machined



Industrial black phosphate finish for corrosion resistance

Knurled worm for smooth and easy adjustment

Lanyard hole