





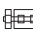

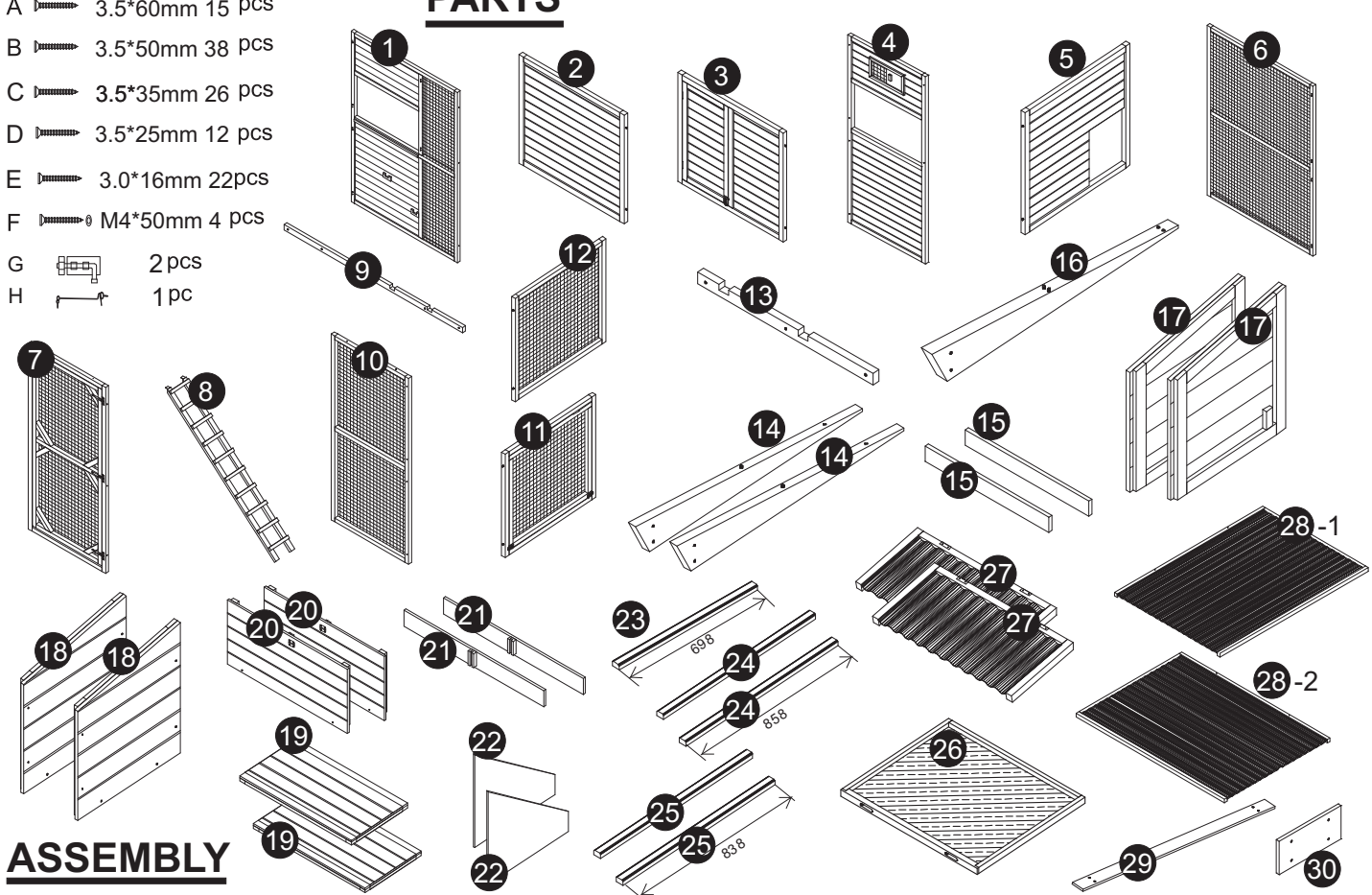


ASSEMBLY INSTRUCTION

DDP-1925


PARTS

- A  3.5*60mm 15 pcs
- B  3.5*50mm 38 pcs
- C  3.5*35mm 26 pcs
- D  3.5*25mm 12 pcs
- E  3.0*16mm 22pcs
- F  M4*50mm 4 pcs
- G  2 pcs
- H  1 pc




ASSEMBLY




1

B  X12



2

A  X6

3

- B  X5
- E  X14
- G  X2

4

- A  X3
- B  X11

