

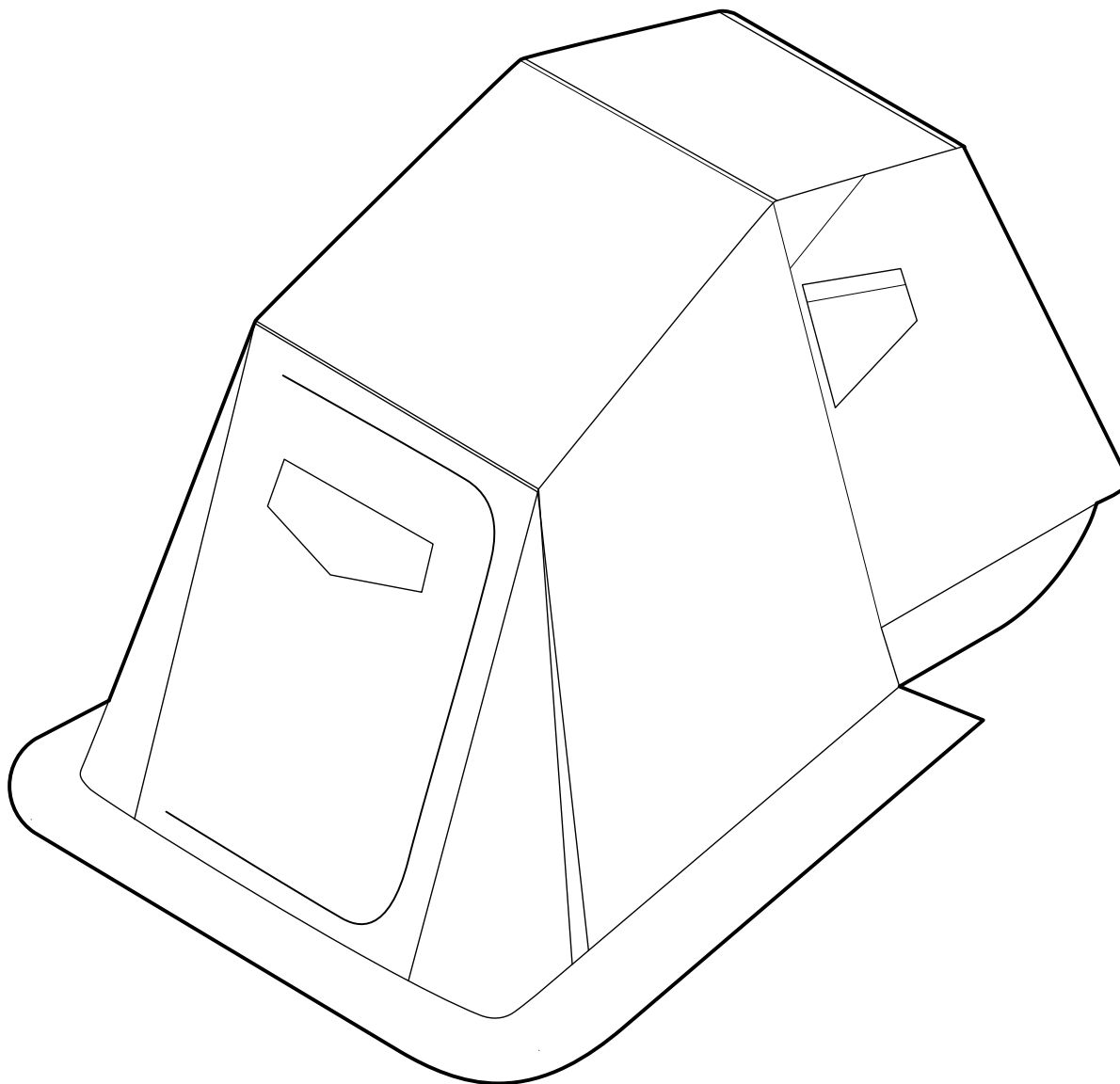


Operator's Manual
Original Operating Instructions

WIDE 1™ THERMAL

Flip-Style Sled Shelter

FRANÇAIS ENGLISH



Get parts online at
www.GetEskimo.com



P/N: 15578
ECN: 13521
REV5: 03/14/2022
© Copyright 2022 Ardisam, Inc.
All Rights Reserved.

INTRODUCTION

Eskimo® Ice Shelters are engineered with the ice fisherman in mind. We make quality and durability our priority, and we appreciate your purchase of one of our ice shelters. Follow these simple instructions and your ice shelter will provide you many years of trouble-free pleasure. Save these instructions for future reference. If for any reason you have a problem with your product, **DO NOT return to the retailer**, contact the Eskimo® customer service department at **1-800-345-6007 or by email at info@geteskimo.com** for assistance. Congratulations on your investment in quality. Save these instructions for future reference. Ardisam, Inc reserves the right to change or alter this manual without notice.

CONTENTS

Introduction	2
Registration	2
Important Safety Precautions	3
Parts.....	4-5
Bolt Identification Chart.....	5
Assembly	6-10
Shelter Set-Up and Take-Down Instructions	11
Long-Term Storage	11
Warranty	12

REGISTRATION AND SERVICE

Record the product model number and serial number in the space provided for easy reference when ordering parts or requesting technical support. You can register your warranty online by visiting www.GetEskimo.com, or by mailing it to: Ardisam, Inc., P.O. Box 666, Cumberland, WI 54829. For service questions, call our customer service department at (800) 345-6007 Mondays through Fridays. Warranty is valid only if the completed registration card is received by Ardisam, Inc. within 30 days of purchase.

OWNERSHIP RECORDS		
Place of Purchase:		
Place of Purchase Address:		
City:	State/Province:	Zip Code/Postal Code:
Model Number:		Serial Number (found next to warning tag):
Date of Purchase:		
Notes:		

IMPORTANT SAFETY PRECAUTIONS

This shelter is made with flame resistant fabric which meets CPAI-84 specifications. It is not fire proof. The fabric will burn if left in continuous contact with any flame source. The application of any foreign substance to the shelter fabric may render the flame resistant properties ineffective.

Fuel-based heat sources burn oxygen and emit carbon monoxide (an odorless, colorless, poison gas). Breathing carbon monoxide can cause headaches, drowsiness, nausea, dizziness, confusion and eventually death. Use caution with heaters. Be sure you have adequate fresh ventilation, including open windows and doors. All vents must be opened when using fuel-based heaters in your shelter.

- Do not use candles, matches or open flames of any kind in or near an ice shelter.
- Do not cook inside the shelter.
- Exercise extreme caution when using fuel-powered lanterns or heaters inside a tent. Use battery-operated lanterns whenever possible.
- Do not refuel lamps, heaters or stoves inside a tent.
- If you are fishing and falling asleep intermittently, turn off all lanterns and heaters.
- Do not smoke in shelter.
- Do not store flammable liquids inside of the shelter.

WARNING

READ, UNDERSTAND AND FOLLOW ALL ASSEMBLY, SAFETY, SET-UP & USE INSTRUCTIONS PROVIDED BEFORE USE. FAILURE TO FOLLOW ALL WARNINGS AND INSTRUCTIONS COULD RESULT IN SERIOUS INJURY OR DEATH.

DO NOT USE OPEN FLAME HEATERS IN YOUR ICE SHELTER.

WARNING: KEEP ALL FLAME AND HEAT SOURCES AWAY FROM THIS TENT FABRIC. THIS TENT IS MADE WITH FABRIC THAT MEETS CPAI-84 SPECIFICATIONS FOR FLAME RESISTANCE. IT IS NOT FIRE PROOF. THE FABRIC WILL BURN IF LEFT IN CONTINUOUS CONTACT WITH ANY FLAME SOURCE.

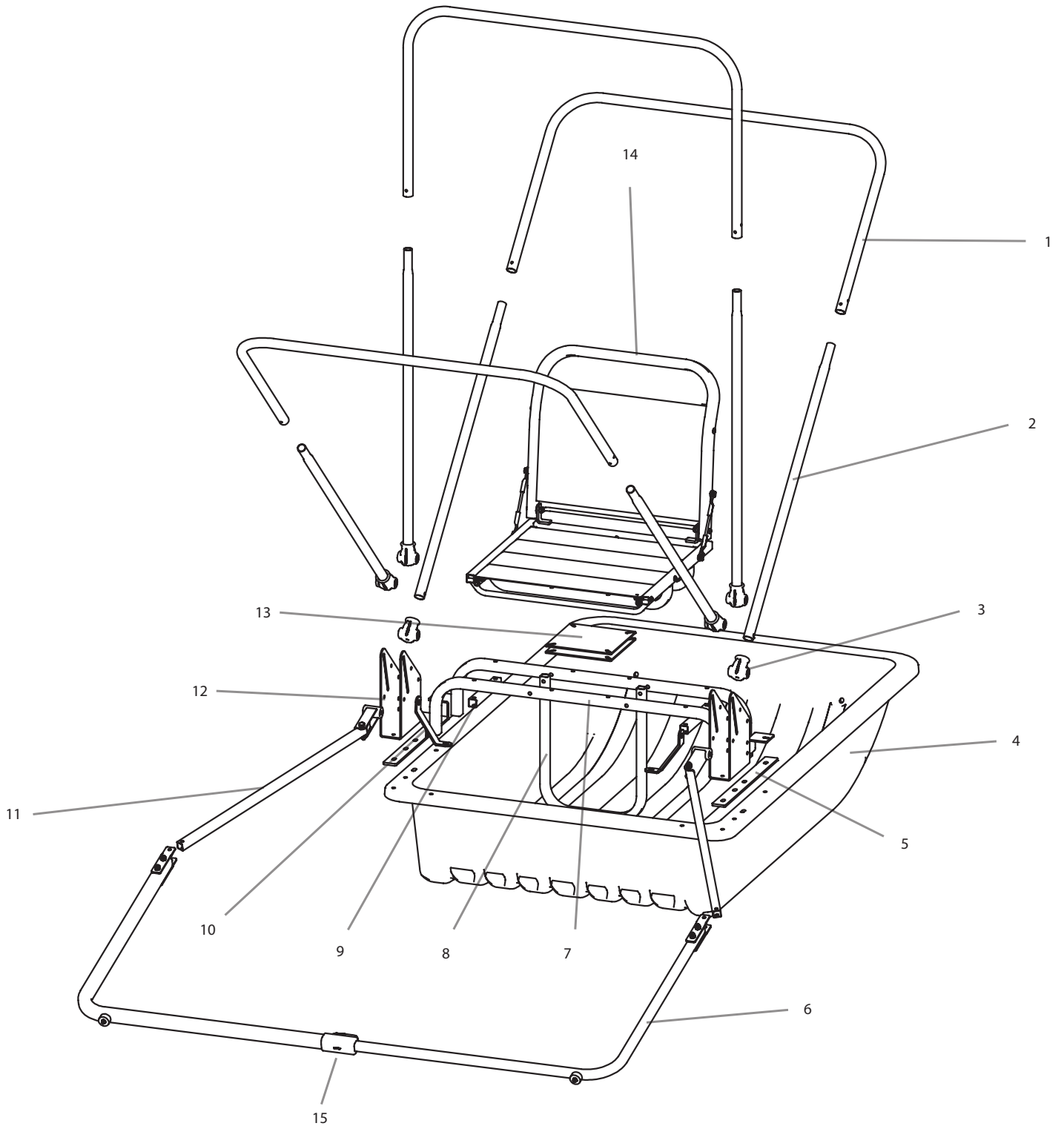
DUE TO TRAFFIC ON LAKES, ICE FISHING CAN BE HAZARDOUS AT NIGHT. IF YOU CHOOSE TO FISH AT NIGHT OR IN CONDITIONS WITH POOR VISIBILITY, BE SURE TO TAKE PRECAUTIONS.

NEVER LEAVE THE ICE SHELTER UNATTENDED.

SECURELY ANCHOR THE ICE SHELTER TO THE ICE IN HIGH WIND CONDITIONS.

PARTS EXPLOSION

WIDE 1™ THERMAL



WIDE 1™ THERMAL PARTS LIST

REF. NO.	DESCRIPTION	PART NO.	QTY.
1	TUBE 22 MM ROUND U 822 X 467 MM	27500	3
2	TUBE 22 MM ROUND UPRIGHT 755 MM	27501	6
3	CAP POCKET POLE HINGE	68060	6
4	SLED ONE MAN	15502	1
5	SPACER PLATE ONE MAN WIDE	11631	2
6	ASSEMBLY EXTENSION TUBE COMPLETE	27539	1
7	WELDMENT SEAT RAIL ONE MAN	15033	2
8	FRAME CHAIR VERTICAL SUPPORT	11305	1
9	TUBE RAIL SUPPORT 6 X .75 X .75 IN	15640	2
10	BRACE SUPPORT HINGE	11203	2
11	ASSEMBLY EXTENSION PIVOT	28462	2
12	HINGE SLOTTED 125 MM LONG	27825	2
13	SWIVEL VERSA MOUNT	15016	1
14	SEAT VERSA TOP	15004	1
15	KIT QRS REPLACEMENT	33581	-

ITEMS BELOW NOT SHOWN

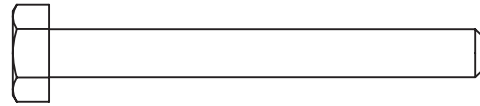
-	ROPE 1/4 BY 8 TWISTED BLK	67589	1
-	EDGE TRIM 1/4 IN CUT TO 93.5 INCH	69654	1
-	GEAR NET	15596	1
-	EDGE TRIM 1/4 IN CUT TO 24 INCH	15639	1
-	SKIN SEWN COMPLETE ESKIMO 41350	41277	1
-	WINDOW TRAPEZOID 13 X 12 X 6 IN	11951	2
-	WINDOW PENTAGON 25 X 8 X 5 IN	11952	1
-	WINDOW PENTAGON 20 X 8 X 5 IN	11953	1
-	SPLIT RING 60MM ID	30053	5

HARDWARE

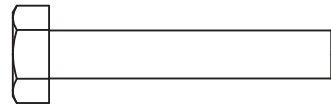
-	BOLT 1/4-20 X 2-1/4 HHCS GR5 BLK ZN P-T	48271B	6
-	BOLT 1/4-20 X 1 HH GR5 ZN	69345	12
-	BOLT 1/4-20 X 1 1/2 HHCS GR5 BLK ZN	48240B	10
-	BOLT 1/4-20 X 2-1/2 PTH	67430	8
-	SCREW #6 X 1/2 IN PTH BLK ZN	36953	16
-	SCREW #8 X 1/2 PHILLIPS PAN HEAD	48320	12
-	NUT NYLOC 1/4-20 BLACK ZINC	67538B	34
-	WASHER 1/4 X 5/8 X 0.07 IN GR8 BLK ZN	48261B	52
-	WASHER 8.1 X 19 X 1.6 MM PLASTIC	WN516	12

BOLT IDENTIFICATION CHART

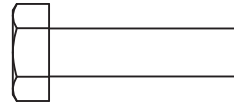
Not all bolt sizes shown are included with all shelters. Bolts shown are for size reference only. Extra hardware may be included in the parts bag.



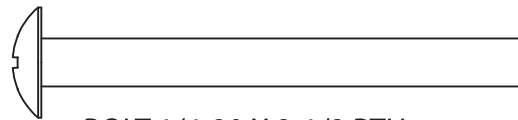
BOLT 1/4-20 X 2-1/4 HHCS GR5 ZN



BOLT 1/4-20 X 1-1/2 HHCS GR5 ZN



BOLT 1/4-20 X 1 HHCS GR5 ZN



BOLT 1/4-20 X 2-1/2 PTH

ASSEMBLY INSTRUCTIONS

TOOLS NEEDED:

- (2) 7/16" wrenches and/or socket driver
- Phillips head screwdriver
- Rubber mallet (optional)
- Cordless drill (optional)

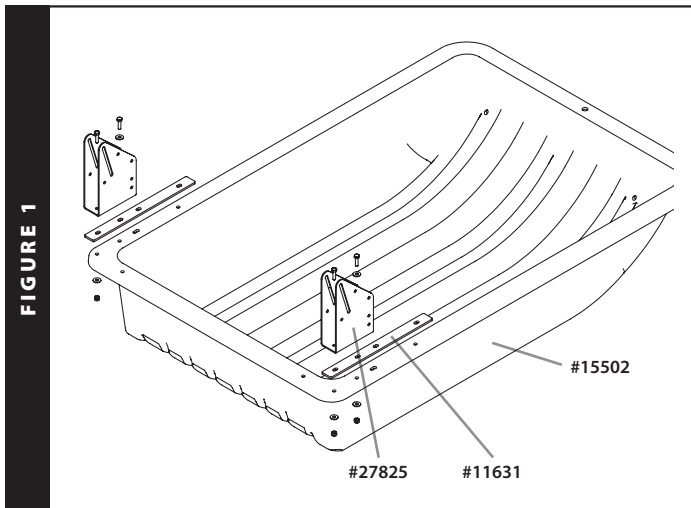


IMPORTANT ASSEMBLY TIP

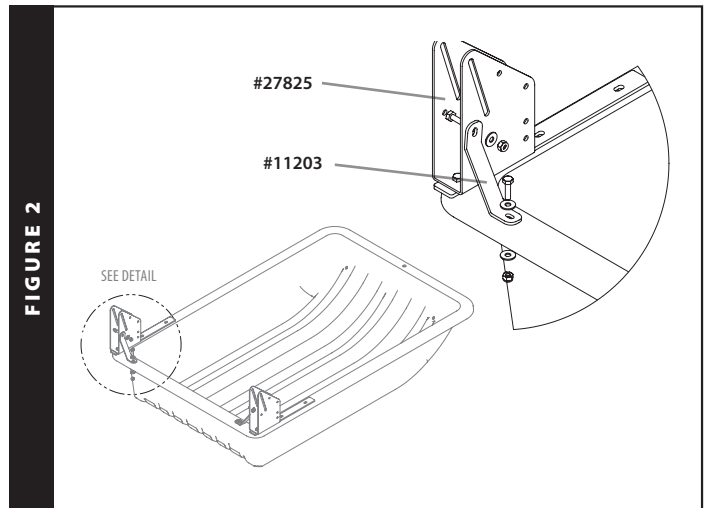
DO NOT FULLY TIGHTEN ANY NUT AND BOLT COMBINATION UNTIL INSTRUCTED IN LATER NOTES. THIS WILL HELP WITH HOLE ALIGNMENT FOR ALL PARTS.

ASSEMBLY TIPS:

- *This ice shelter should be assembled in an indoor setting due to the time and length of assembly. Identify and familiarize yourself with all parts and hardware before assembly. Allow 1-2 hours for assembly.*
- *The use of a cordless drill with socket will make assembly of your ice shelter much quicker. Be sure to set the drill speed on low so you do not over tighten any nut and bolt combination.*
- *If a tracking kit is purchased with the shelter it should be mounted to the sled before assembly of the ice shelter for convenience.*

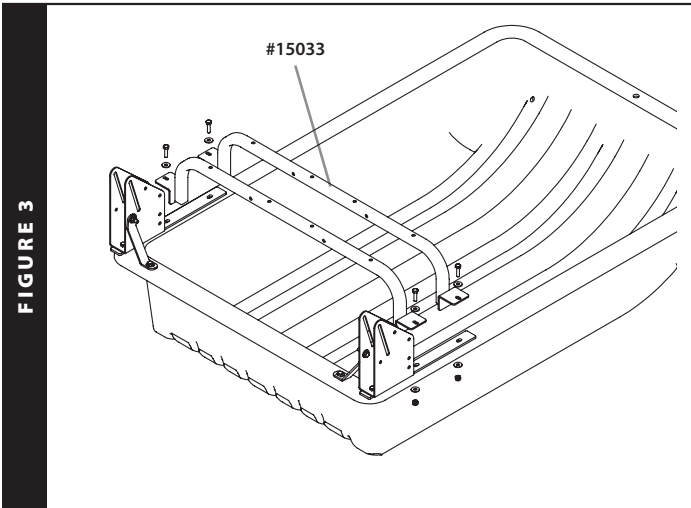


- 1 (A) Attach (**#27825**) and (**#11631**) to (**#15502**) sled with (2) 1 inch bolts, (2) nuts, and (3) washers as shown in **FIGURE 1**.
(B) Repeat step 1a for remaining (**#27825**) on the other side of the sled (**#15502**) as instructed above.

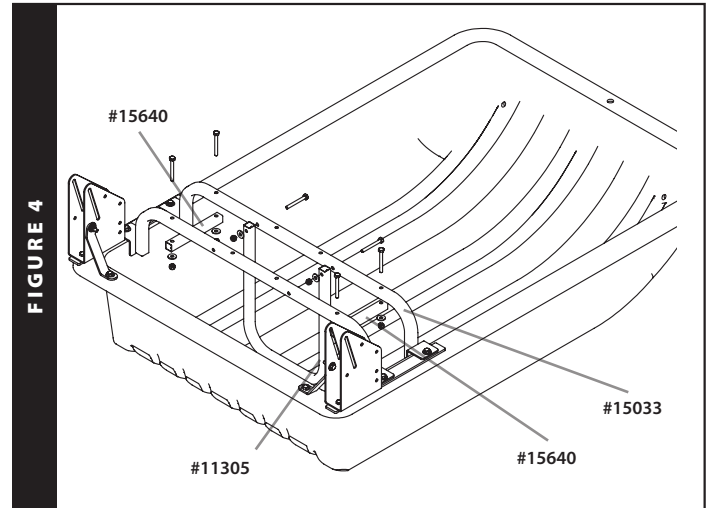


- 2 Attach the (2) hinge support straps (**#11203**) to the hinges (**#27825**) and sled (**#15502**) with (4) 1 inch bolts, (4) washers, and (2) nuts as shown in **FIGURE 2**.

NOTE: If the hole alignment is off or looks too far apart, rotate the hinge support brace and try again. This part will only bolt on one way.

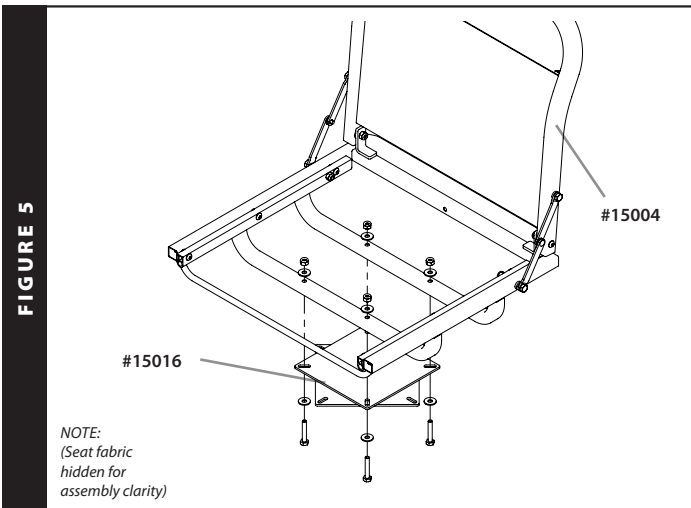


3 Attach (2) seat rails (**#15033**) using (4) 1 inch bolts, (8) washers, and (4) nuts as shown in **FIGURE 3**.

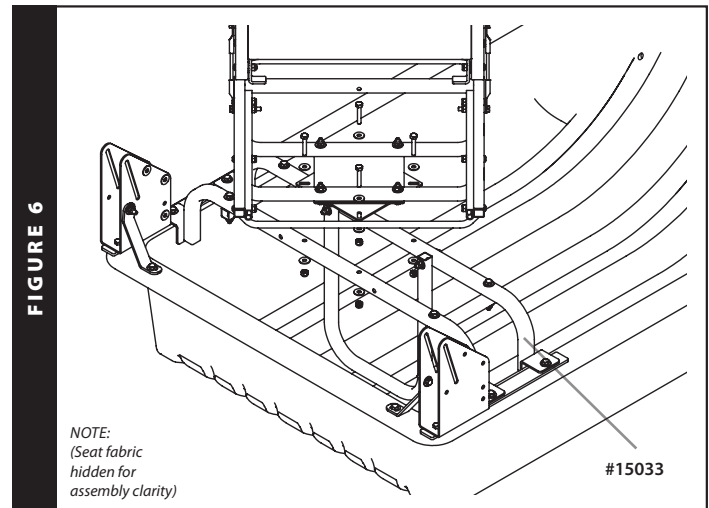


4 (A) Attach (2) seat rail braces (**#15640**) to the seat rails (**#15033**) using (4) 2-1/4 inch bolts, (4) washers, and (4) nuts, as shown in **FIGURE 4**.
(B) Attach seat support brace (**#11305**) to the front seat rail (**#15033**) with (2) 2 inch bolts, (2) washers, and (2) nuts, as shown in **FIGURE 4**.

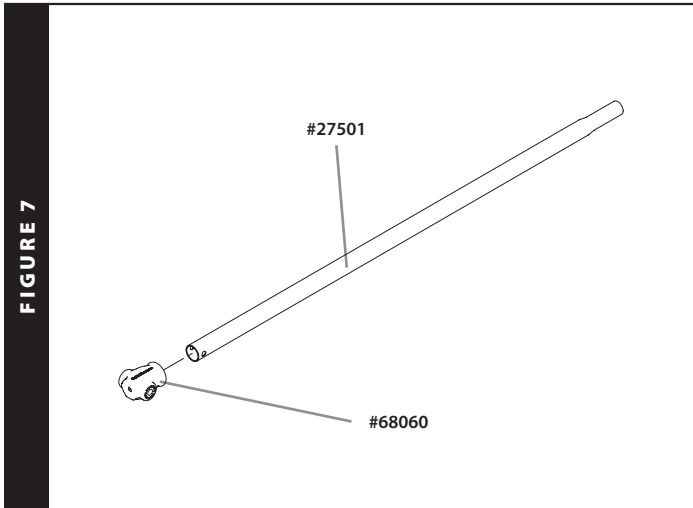
NOTE: Tighten all hardware used up to this point.



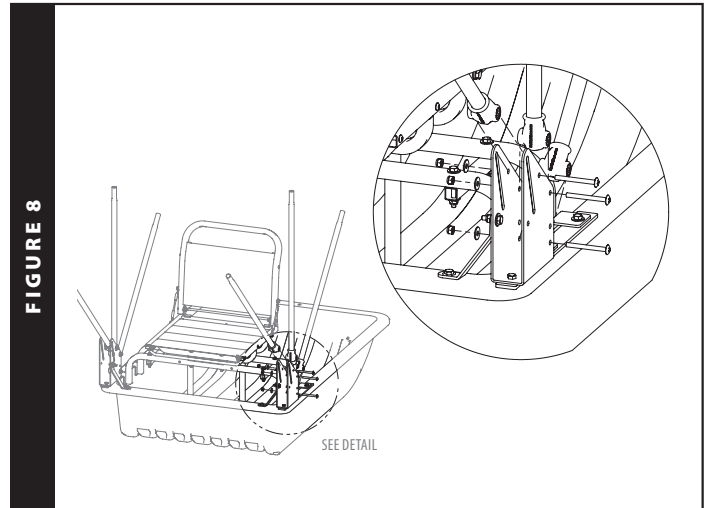
5 (A) Locate the included Versa seat (**#15004**), small parts bag (**#15752**), and swivel (**#15016**).
(B) Attach the swivel (**#15016**) to the Versa Seat (**#15004**) using (4) 1½ inch bolts, (4) washers, and (4) nuts, as shown in **FIGURE 5**.



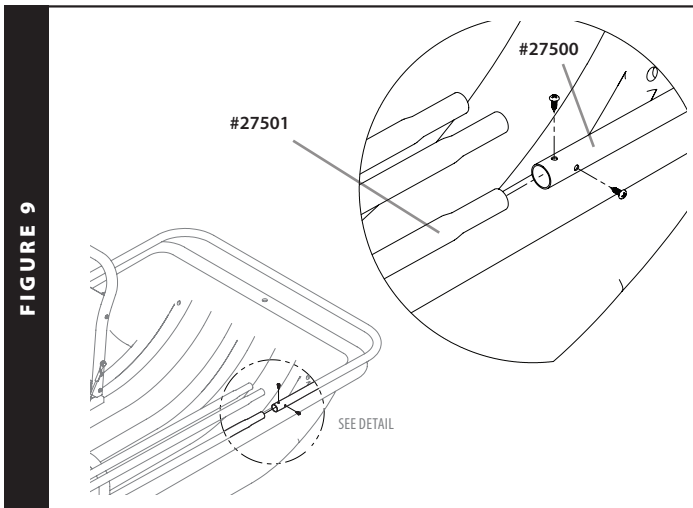
6 Attach the seat/swivel assembly from step 5 to the seat rails (**#15033**), with (4) 1½ inch bolts, (8) washers, and (4) nuts from the small parts bag, as shown in **FIGURE 6**.



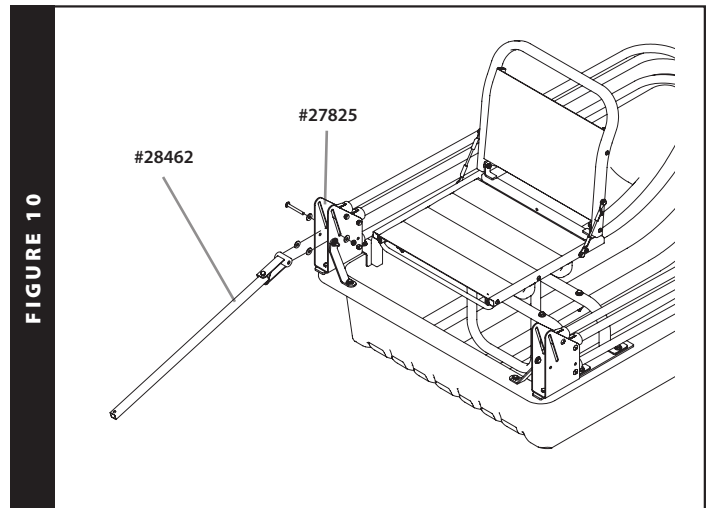
7 Locate the (6) pole caps (#68060) and (6) frame uprights (#27501). Slide one pole cap on to the end of each frame upright, aligning the holes in (#68060) with the holes in (#27501) as shown in FIGURE 7.



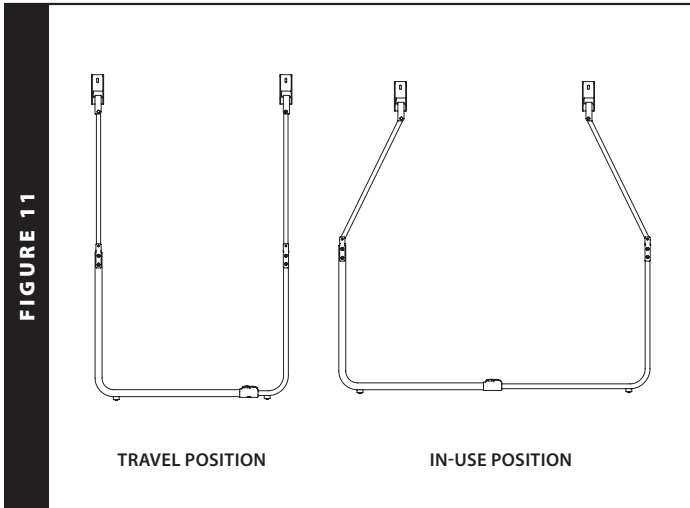
8 Attach the frame uprights with pole caps, from step 7 to the hinges, (3) on each side. Secure them to the hinges with (6) 2½ inch Phillips drive bolts, (6) washers, and (6) nuts as shown in FIGURE 8.



9 (A) Assemble (1) frame U section (#27500) to the end of (2) frame uprights (#27501), and secure with (4) sheet metal screws, in the predrilled holes on the frame U section (#27500), as shown in FIGURE 9.
(B) Repeat for remaining frame sections.



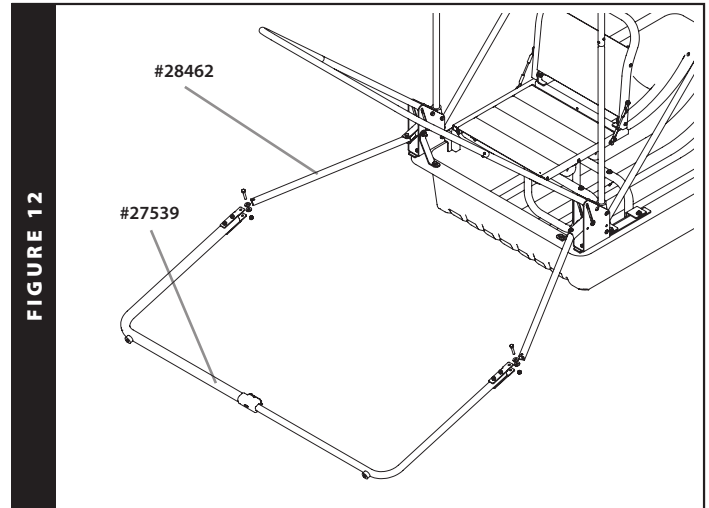
10 (A) Assemble (1) extension arm (#28462) to the hinge (#27825) with (1) 2½ inch Phillips drive bolt, (4) plastic washers, and 1 nut as shown in FIGURE 10.
NOTE: Avoid over-tightening so the assembly can slide freely in the slot.
(B) Repeat on the other side for remaining (#28462).
NOTE: the open side of each extension hinge should face the center of the sled.



11 Locate the front extension assembly (#27539), and skin (#41277). Unfold the skin, and make sure the extension assembly is in the “travel” position. Locate the metal loops on the front of the shelter, and slide them onto the extension assembly.

13 Drape the shelter skin over the top of the frame. Start by lifting the rear of the shelter skin over the top of the front frame support. Make sure that you are evenly working the shelter skin over the supports. Continue working the shelter skin over the rest of the frame supports until the shelter skin lies evenly over the entire shelter.

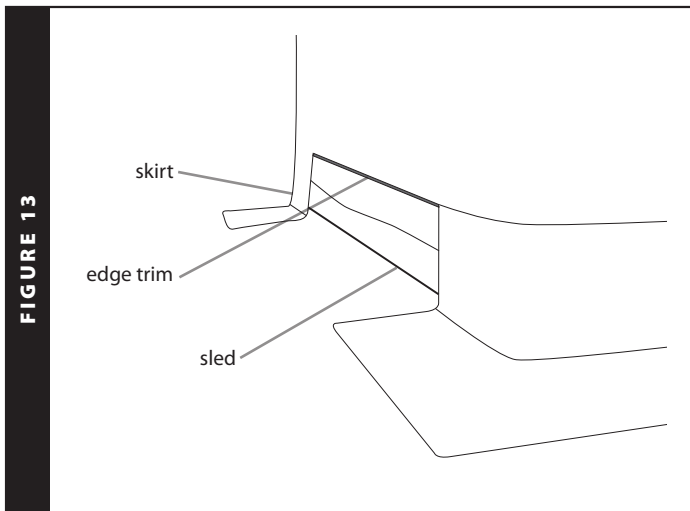
NOTE: *Attaching the skin can be a difficult task and is easiest with two people to ensure proper installation and desired fit.*



12 Attach the extension arms (#28462) to the front extension assembly (#27539) with (2) 1-1/2 inch bolts, (2) plastic washers, and (2) bolts as shown in FIGURE 12.

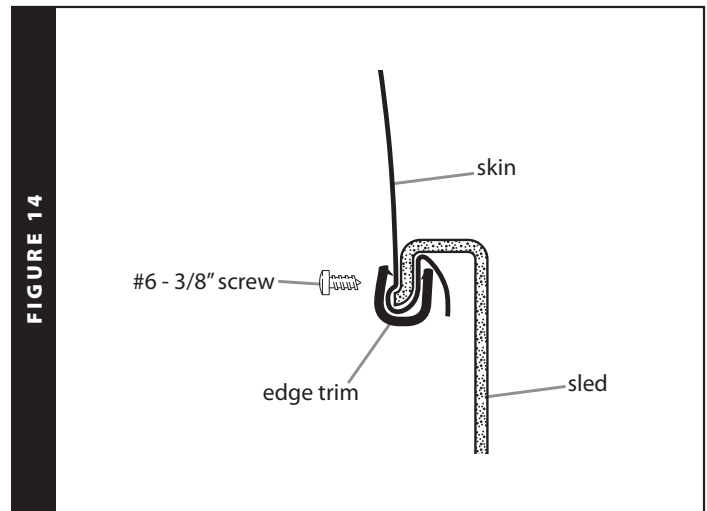
14 Once the shelter skin is on the frame, move to the inside of the shelter and attach the hook and loop retainers to the frame supports.

15 After attaching all of the hook and loop retainers you are ready to install the edge trim to the rear of the shelter. Move to the outside of the shelter and start by identifying the edge trim piece (#69654) from the parts box. Locate the center of the edge trim piece by folding it in half. Line up the center of the edge trim to the best of your ability with the center of the rear of the shelter.



- 16** Pull the skin taut and push the edge trim over lip of the sled with the shelter skin between the two. It is important to keep the skin taut and work the edge trim evenly around both sides of the shelter until all edge trim is in place. **SEE FIGURE 13.**

NOTE: When pulling the shelter skin tight, **DO NOT** lift the lower frame support off the ground. Make sure all spreader poles are properly installed before the edge trim is attached to ensure a proper fit. Using a rubber mallet may be helpful while attaching the edge trim to the sled lip.



- 17** Secure the edge trim in place using the (13) #6 x 3/8 inch sheet metal screws provided. A cordless drill and Phillips head bit is recommended for this step, but is not necessary. **SEE FIGURE 14.**

NOTE: Screws should be spaced evenly apart. This step does mean you will put very small holes in your shelter skin to keep the edge trim and skin securely attached to the sled lip. This will in no way affect the performance of your shelter.

ADDITIONAL INSTALLATION

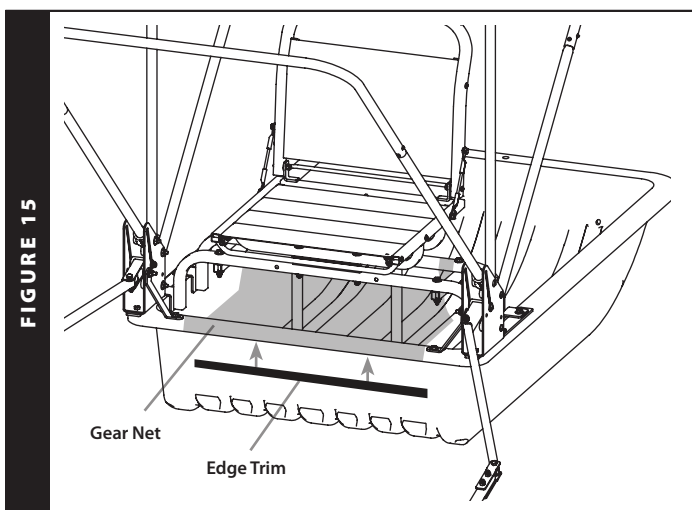
TOW ROPE

Locate the included 8 foot tow rope that was in the hardware bag. To install the tow rope locate the two holes in the front of the sled and push each end of the rope through a hole. Tie a knot at each end of the rope to keep the rope from pulling through the holes. This tow rope is designed for manual pulling by hand only. **DO NOT** tow behind a motorized vehicle with rope. For high-speed towing, you should purchase the Eskimo Universal Tow Hitch accessory (#11608).

GEAR NET

Included with your Eskimo Wide 1™ Thermal is a gear net to keep you organized on and off the ice.

To install the gear net (#15596) to the sled attach the hook and loop retainers to the rear seat rail (#15033). After attaching the gear net to the seat rails, locate the 24 inch piece of edge trim along with the remaining edge trim screws used earlier. Secure the gear net by attaching it to the front of the sled lip with the edge trim and edge trim screws. **SEE FIGURE 15 BELOW.**



SET-UP / TAKE-DOWN

Extend the front pole assembly to the “in use” position (SEE FIGURE 11) before flipping the shelter over. The front pole should fall to the bottom of the slot in the hinge when in use.

To take-down the shelter, collapse the front pole to the “travel” position (SEE FIGURE 11), and flip the poles over the shelter, pulling the front pole assembly to the top of the slot in the hinge.

On breezy but otherwise nice days, the front pole assembly can be extended to the “in use” position and flipped up halfway (leaving the front pole at the bottom of the slot in the hinge) to form a wind break.

NOTE: Use caution so you don't rip or tear the skin, especially around the hinges or any pinch point areas.

NOTE: An Eskimo Travel Cover (16475) may be purchased to protect your shelter while transporting to and from the lake.

LONG-TERM STORAGE

- Always make sure your ice shelter is completely dry before storing for long periods of time. Storing your ice shelter when damp or wet may cause mold and mildew damage.
- Remove skin from ice shelter sled and poles.
- Clean all salt, moisture and debris from your shelter skin, sled and poles. Wipe down poles with a wet rag.
- Store skin, poles and sled in a cool, dry place away from rodents.

NOTE: Lubricate the slide poles with a silicon spray at least seasonally. Do not use oil or grease as a lubricant.

WIDE 1™ THERMAL

Warranty Terms and Conditions

PRODUCT WARRANTY: 1-YEAR LIMITED WARRANTY

Ardisam, Inc., warrants this Eskimo® Wide 1™ Thermal under a one-year limited warranty to be free from defects in materials or workmanship or both for a period not exceeding twelve consecutive months from the date of original purchase by the first retail consumer or commercial end user. "Consumer use" means personal recreational use by a retail consumer. "Commercial use" or "commercial application" means all other uses, including use for commercial, income producing or rental purposes. Once a product has experienced commercial use, it shall thereafter be considered as a commercial use product for purposes of this warranty. This warranty does not cover cracked windows, tent tears, or bent poles due to use in high wind, inclement weather conditions, unattended use or uses other than those listed in the owner's manual. This warranty applies to the original owner that provides a proof of purchase of the shelter. The warranty is not transferable. The warranty period begins on the date of purchase by the first retail consumer or commercial end user, and continues for the twelve month consecutive period thereafter. Any unit used in a commercial application is covered for a period of 90 days after purchase. For the warranty to be valid, the product must be registered online at www.GetEskimo.com, or the warranty card must be filled out and received by Ardisam, Inc., within 30 days of purchase. Ardisam, Inc. shall not be obligated to ship any repair or replacement product to any location outside of the United States of America or Canada.

For replacement parts, phone 800-345-6007 or go online to www.geteskimo.com.

**This warranty applies only to products which have not been subjected to negligent use, misuse, uses other than those indicated in the product's owner's manual, alteration, accident, use of unauthorized parts, failure to perform periodic maintenance as specified in product's owner's manual, normal wear and tear, use of unauthorized parts or repairs performed at non-authorized service centers. There is no other expressed warranty. Implied warranties, including those of merchantability and fitness for a particular purpose, are limited to one year from purchase, or to the extent permitted by law. All other implied warranties are excluded. Liability for incidental or consequential damages are excluded to the extent exclusion is permitted by law. Ardisam, Inc. does not assume, and does not authorize any other person to assume for us, any liability in connection with the sale of our products. To obtain warranty service, you must have prior approval by calling our customer service department at 1-800-345-6007. If you choose to ship your product to Ardisam for warranty repair, you must first have prior approval from Ardisam by calling our customer service department for a return material authorization number (RMA#). Under these circumstances, all items must be shipped prepaid. Ardisam will at no charge, repair or replace, at their discretion, any defective part which satisfies all conditions stated above. Ardisam retains the right to change models, specifications and price without notice. Ardisam, Inc. shall not be obligated to ship any repair or replacement product to any location outside of the United States of America or Canada.*



Eskimo®, Division of Ardisam, Inc.
1730 Industrial Avenue, PO Box 666
Cumberland, WI 54829
800-345-6007 | Fax 715-822-2223
Email: info@geteskimo.com

All weights, specifications and features are approximate and are subject to change without notice. Due to continuous product improvements, product images may not be exact. Items used for props not included. Some assembly may be required.

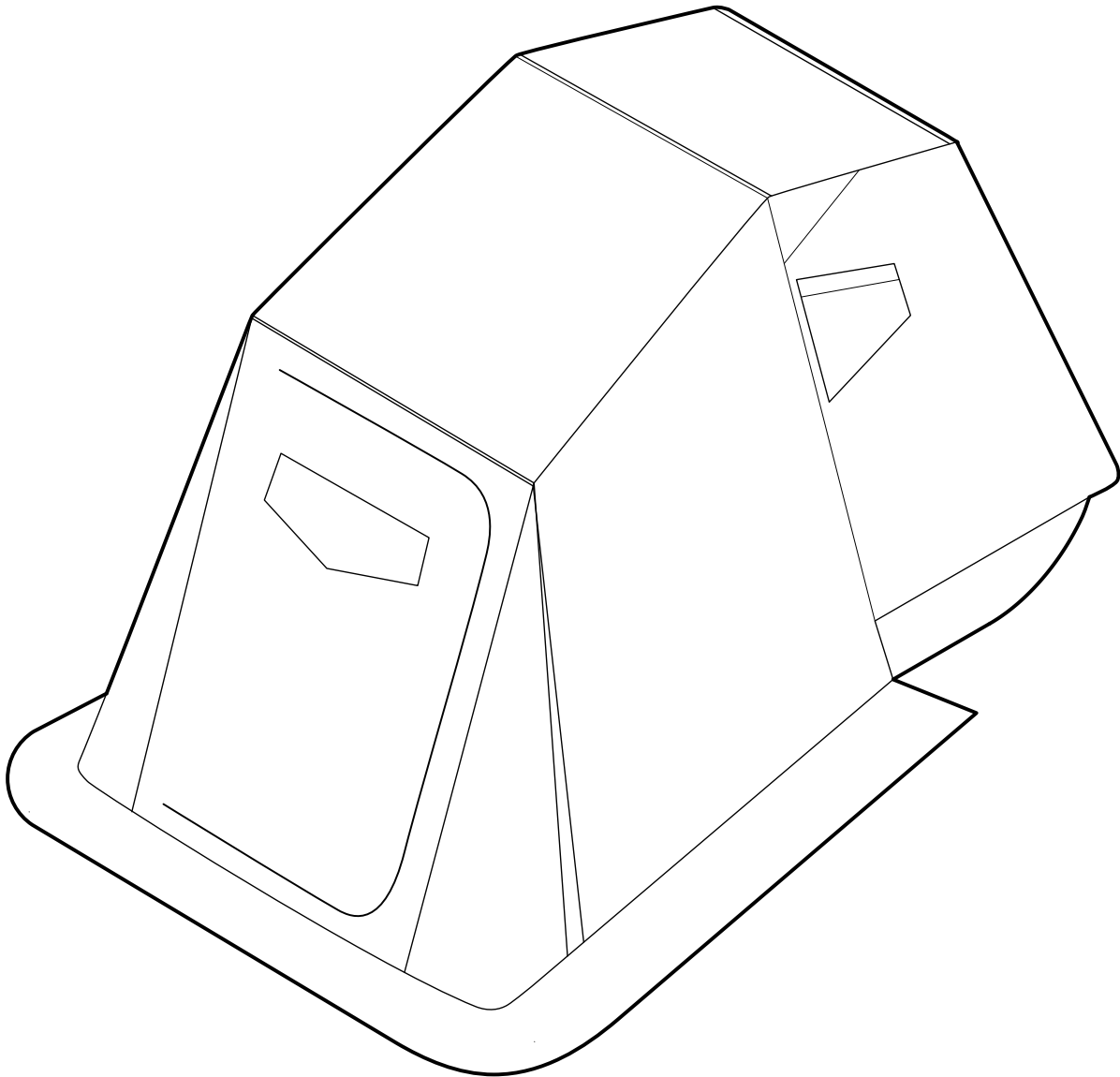


Manuel de l'utilisateur
Instructions d'utilisation

WIDE 1™ THERMAL

Abri à traîneau basculant

FRANÇAIS



Pièces détachées en ligne à
www.GetEskimo.com



P/N: 15578
ECN: 13521
RÉV5: 03/14/2022
© Copyright 2022 Ardisam, Inc.
Tous droits réservés.

INTRODUCTION

Les abris Eskimo® sont conçus spécifiquement à l'intention du pêcheur sur glace. La qualité et la durabilité sont notre priorité et nous vous sommes reconnaissants d'avoir acheté l'un de nos abris pour pêche sur glace. Veiller à suivre ces instructions et l'abri pour pêche sur glace offrira de nombreuses années de service sans problème. Conserver ces instructions pour toute référence ultérieure. En cas de quelconques problèmes avec le produit, **NE PAS le renvoyer au revendeur**, communiquer avec le service après-vente Eskimo® au **1-800-345-6007** ou **par courriel à info@geteskimo.com** pour assistance. Nous vous félicitons pour votre investissement dans la qualité. Conserver ces instructions pour toute référence ultérieure. Ardisam, Inc se réserve le droit de changer ou modifier ce manuel sans préavis.

SOMMAIRE

Introduction	14
Enregistrement.....	14
Mesures de précaution importantes.....	15
Pièces	16-17
Schéma d'identification des vis.....	17
Assemblage.....	18-22
Déploiement et repliage de l'abri.....	23
Entreposage à long terme.....	23
Garantie	24

ENREGISTREMENT ET SERVICE APRÈS-VENTE

Consigner le numéro de modèle et le numéro de série du produit dans l'espace prévu pour y accéder facilement lors des commandes de pièces détachées ou des demandes d'assistance technique. L'enregistrement de la garantie peut se faire en ligne à www.GetEskimo.com ou par courriel à : Ardisam, Inc., P.O. Box 666, Cumberland, WI 54829, États-Unis. Pour toute question, appeler notre service après-vente au (800) 345-6007. La garantie est valable uniquement si la carte d'enregistrement dûment remplie est reçue par Ardisam, Inc. dans les 30 jours après l'achat.

RENSEIGNEMENTS SUR LE PROPRIÉTAIRE		
Lieu d'achat :		
Adresse du lieu d'achat :		
Ville :	État/Province :	Code postal :
Numéro de modèle :		Numéro de série (à côté de l'étiquette de mise en garde) :
Date d'achat :		
Notes :		

MESURES DE PRÉCAUTION IMPORTANTES

Cet abri est fabriqué en toile résistant aux flammes conforme aux spécifications CPAI-84. Il n'est pas incombustible. La toile finit par brûler en cas de contact continu avec une flamme. L'application de toute substance étrangère sur la toile de l'abri peut dégrader ses propriétés ignifuges.

Les sources de chaleur à base de combustible brûlent de l'oxygène et dégagent du monoxyde de carbone (un gaz toxique inodore et incolore). L'inhalation de monoxyde de carbone peut provoquer des maux de tête, la somnolence, la nausée, l'étourdissement, la confusion, voire la mort. Faire preuve de précaution avec les appareils de chauffage. Veiller à avoir une aération suffisante, notamment en ouvrant les portes et les fenêtres. Tous les événements doivent être ouverts lors de l'utilisation d'appareils de chauffage à combustible dans l'abri.

- Ne pas utiliser de bougies, allumettes ou autres flammes nues à l'intérieur ou à proximité d'un abri pour pêche sur glace.
- Ne pas cuisiner à l'intérieur de l'abri.
- Faire preuve de beaucoup de précaution lors de l'utilisation de lanternes ou appareils de chauffage à combustible à l'intérieur d'une tente. Autant que possible, utiliser des lanternes à piles.
- Ne pas remplir les lampes, appareils de chauffage ou réchauds de combustible à l'intérieur d'une tente.
- Lorsqu'on pêche et qu'on s'endort occasionnellement, les lanternes et appareils de chauffage doivent tous être éteints.
- Ne pas fumer dans l'abri.
- Ne pas entreposer de liquides inflammables à l'intérieur de l'abri.



AVERTISSEMENT

LIRE, COMPRENDRE ET SUIVRE TOUTES LES INSTRUCTIONS D'ASSEMBLAGE, DE SÉCURITÉ, DE MISE EN SERVICE ET D'UTILISATION FOURNIES AVANT UTILISATION. POUR ÉCARTER LES RISQUES DE BLESSURE GRAVE OU DE MORT, VEILLER À RESPECTER TOUTES LES INSTRUCTIONS ET MISES EN GARDE.

NE PAS UTILISER DE RÉCHAUD À FLAMME NUE DANS L'ABRI.

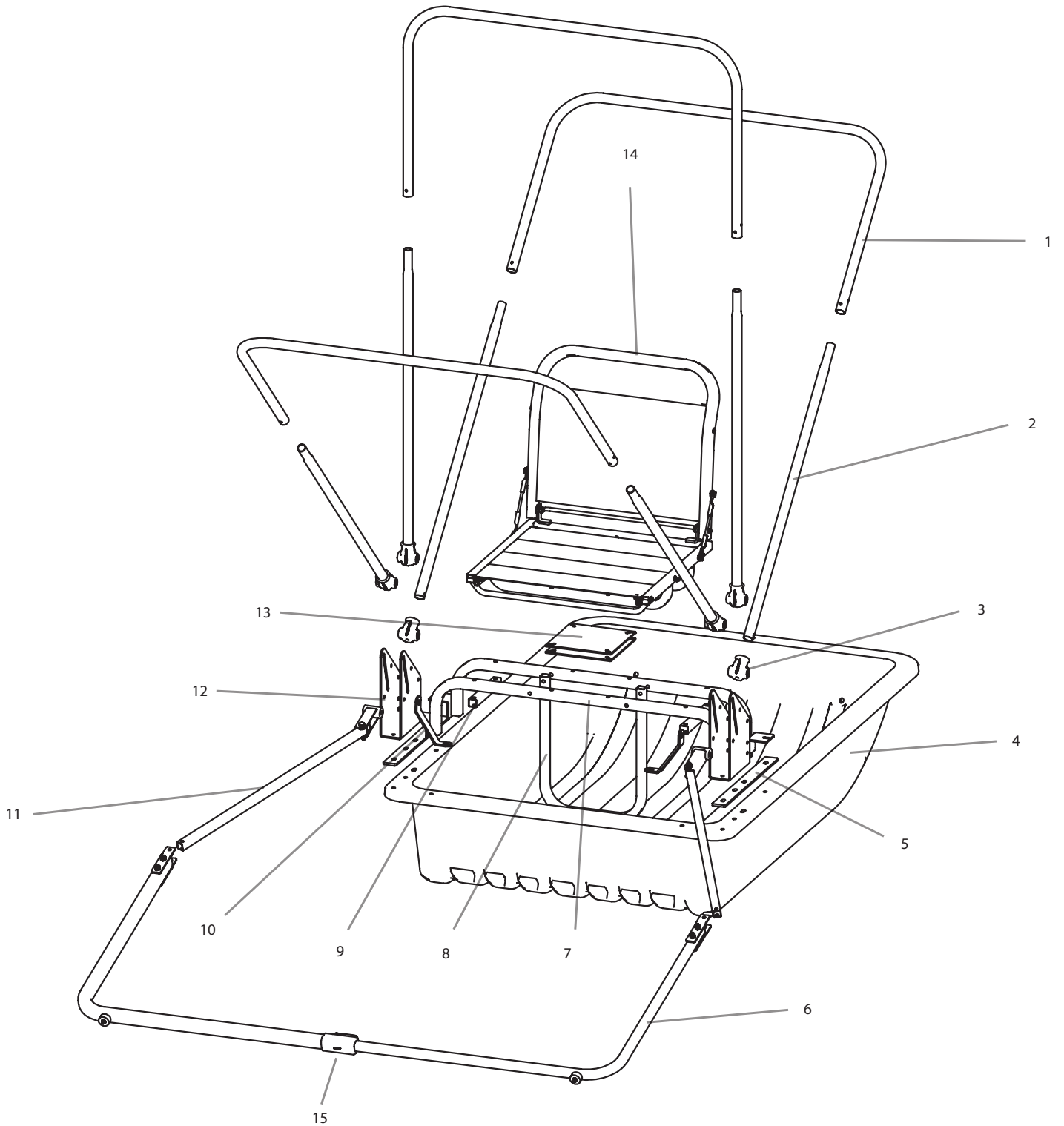
AVERTISSEMENT : TENIR TOUTES LES FLAMMES ET SOURCES DE CHALEUR À L'ÉCART DE LA TOILE DE CET ABRI. CET ABRI EST FABRIQUÉ EN TOILE RÉPONDANT AUX SPÉCIFICATIONS CPAI-84 SUR LA RÉSISTANCE AUX FLAMMES. IL N'EST PAS INCOMBUSTIBLE. LA TOILE FINIT PAR BRÛLER EN CAS DE CONTACT CONTINU AVEC UNE FLAMME.

EN RAISON DE LA CIRCULATION SUR LES LACS, LA PÊCHE SUR GLACE DE NUIT PEUT ÊTRE DANGEREUSE. POUR PÊCHER LA NUIT OU PAR FAIBLE VISIBILITÉ, PRENDRE LES MESURES DE PRÉCAUTION NÉCESSAIRES.

NE JAMAIS LAISSER L'ABRI POUR PÊCHE SUR GLACE SANS SURVEILLANCE.

ANCRER SOLIDEMENT L'ABRI À LA GLACE EN CAS DE GRAND VENT.

VUE EN ÉCLATÉ
WIDE 1™ THERMAL



NOMENCLATURE DES PIÈCES WIDE 1™ THERMAL

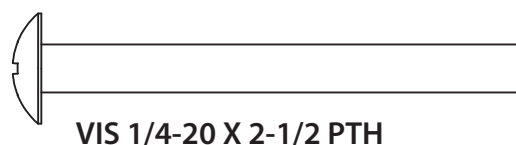
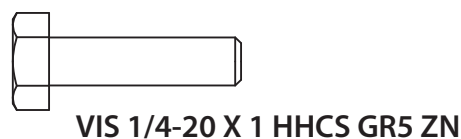
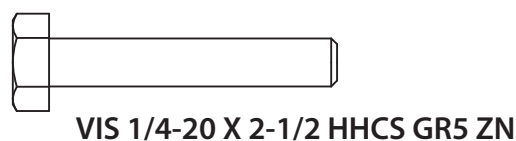
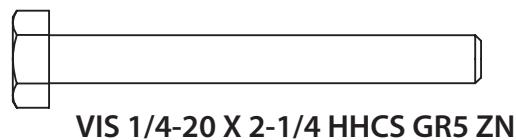
REP.	DESCRIPTION	N° RÉF.	QTÉ
1	TUBE ROND 22 MM ARCEAU 822 X 467 MM	27500	3
2	TUBE ROND 22 MM MONTANT 755 MM	27501	6
3	CAPUCHON D'ARTICULATION D'ARCEAU	68060	6
4	TRÂINEAU UNE PERSONNE	15502	1
5	PLAQUE D'ESPACEMENT LARGEUR UNE PERSONNE	11631	2
6	ARMATURE TUBULAIRE À RALLONGE	27539	1
7	RAIL DE SIÈGE MÉCANOSOUDE UNE PERSONNE	15033	2
8	SUPPORT VERTICAL DE SIÈGE	11305	1
9	SUPPORT DE RAILS TUBULAIRES 6 X 0,75 X 0,75 PO	15640	2
10	CONTREFICHE D'ARTICULATION	11203	2
11	BRAS DE RALLONGE À PIVOT	28462	2
12	ARTICULATION À OBLONGS 125 MM DE LONG	27825	2
13	MONTURE PIVOTANTE VERSA	15016	1
14	SIÈGE VERSA	15004	1
15	NÉCESSAIRE CONNECTEUR RAPIDE DE RECHANGE	33581	-

ARTICLES CI-DESSOUS NON REPRÉSENTÉS			
-	CORDE 1/4 PO DE 2,4 M TORSADÉE NOIRE	67589	1
-	GARNITURE DE BORDURE 1/4 PO COUPÉE À 237,5 CM	69654	1
-	FILET À MATÉRIEL	15596	1
-	GARNITURE DE BORDURE 1/4 PO COUPÉE À 60,9 CM	15639	1
-	TOILE COUSUE COMPLÈTE ESKIMO 41350	41277	1
-	FENÊTRE TRAPÈZE 13 X 12 X 6 PO	11951	2
-	FENÊTRE PENTAGONE 25 X 8 X 5 PO	11952	1
-	FENÊTRE PENTAGONE 20 X 8 X 5 PO	11953	1
-	ANNEAU DIVISÉ 60MM ID	30053	5

VISSERIE			
-	VIS 1/4-20 X 2-1/4 HHCS GR5 NOIR ZN P-T	48271B	6
-	VIS 1/4-20 X 1 HH GR5 ZN	69345	12
-	VIS 1/4-20 X 1-1/2 HHCS GR5 NOIR ZN	48240B	10
-	VIS 1/4-20 X 2-1/2 PTH	67430	8
-	VIS #6 X 1/2 IN PTH BLK ZN	36953	16
-	VIS #8 X 1/2 TÊTE CYLINDRIQUE PHILIPS	48320	12
-	ÉCROU NYLOC 1/4-20 NOIR ZINC	67538B	34
-	RONDELLE 1/4 X 5/8 X 0,07 PO GR8 NOIR ZN	48261B	52
-	RONDELLE 8,1 X 19 X 1,6 MM PLASTIQUE	WN516	12

SCHÉMA D'IDENTIFICATION DES VIS

Toutes les tailles de vis ne sont pas comprises avec tous les abris. Vis représentées à des fins de référence de taille seulement. Le sachet de pièces peut contenir de la visserie supplémentaire.



INSTRUCTIONS D'ASSEMBLAGE

OUTILS NÉCESSAIRES :

- (2) Clés ou douilles de 7/16 po
- Tournevis à tête Phillips
- Maillet en caoutchouc (facultatif)
- Visseuse sans fil (facultatif)

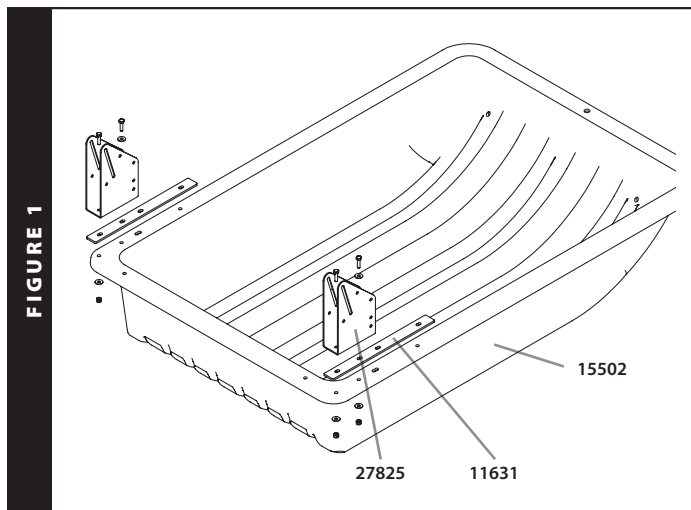


CONSEIL D'ASSEMBLAGE IMPORTANT

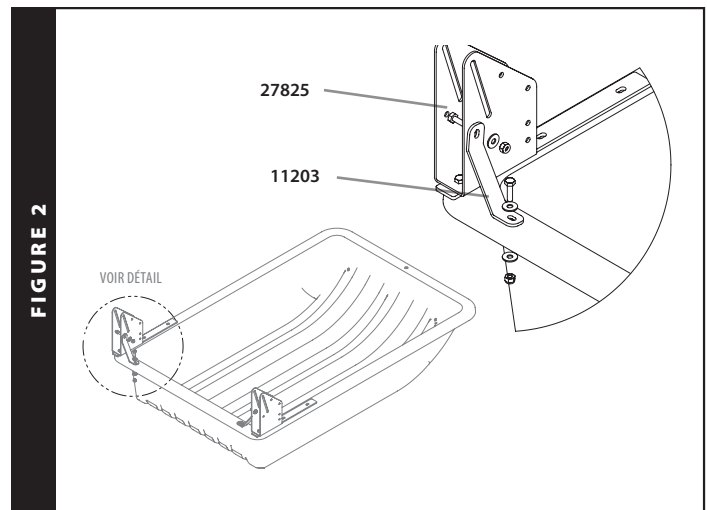
NE PAS SERRER COMPLÈTEMENT LES ENSEMBLES VIS ET ÉCROU AVANT D'EN RECEVOIR L'INSTRUCTION ULTÉRIEUREMENT. CELA FACILITE L'ALIGNEMENT DES TROUS DE FIXATION DES PIÈCES.

CONSEILS D'ASSEMBLAGE :

- *This ice shelter should be assembled in an indoor setting due to the time and length of assembly. Veiller à identifier et se familiariser avec toutes les pièces et la visserie avant l'assemblage. Prévoir 1 à 2 heures pour l'assemblage.*
- *L'emploi d'une visseuse sans fil avec douille permet un assemblage beaucoup plus rapide de l'abri pour pêche sur glace. ice shelter much quicker. Veiller à régler la visseuse sur une vitesse basse pour éviter de trop serrer les ensembles vis et écrous.*
- *Si un jeu de patins a été acheté avec l'abri, il est plus pratique de le monter sur le traîneau avant d'assembler l'abri. to the sled before assembly of the ice shelter for convenience.*

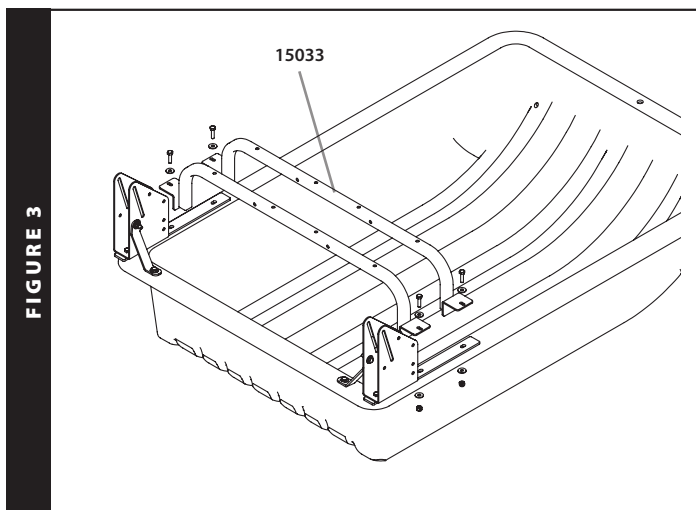


- 1** (a) Attacher **27825** et **11631** au traîneau (**15502**) avec deux (2) vis de 1 po, deux (2) écrous et trois (3) rondelles comme sur la **Figure 1**.
(B) Répéter l'étape 1a pour la pièce **27825** restante de l'autre côté du traîneau (**15502**).

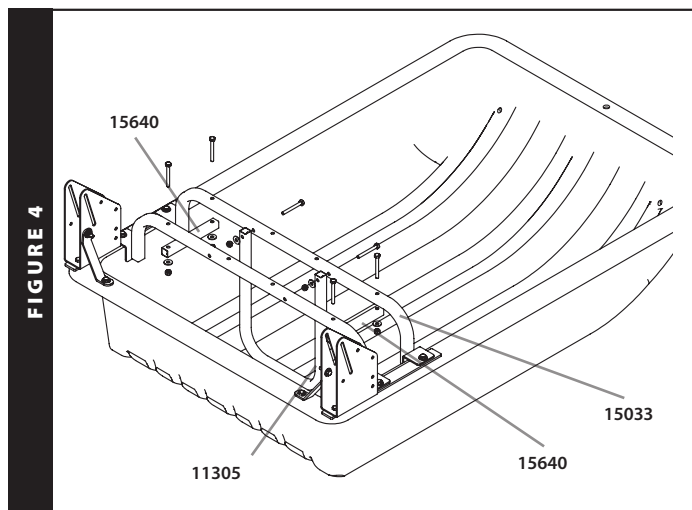


- 2** Attacher les deux (2) bandes d'appui d'articulation (**11203**) aux articulations (**27825**) et au traîneau (**15502**) avec quatre (4) vis de 1 po, quatre (4) rondelles et deux (2) écrous comme sur la **FIGURE 2**.

REMARQUE : Si les trous ne sont pas alignés et semblent trop espacés, retourner la contrefiche et réessayer. Cette pièce ne peut se poser que dans un sens.

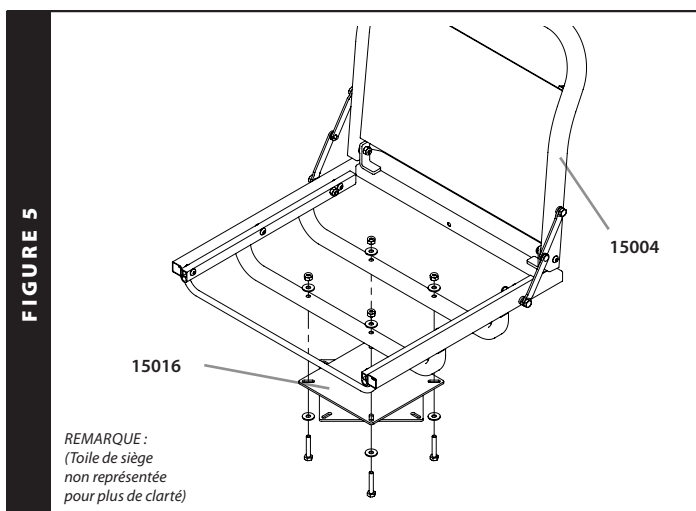


- 3** Attacher les deux (2) rails de siège (**15033**) avec quatre (4) vis de 1 po, huit (8) rondelles et quatre (4) écrous comme sur la **FIGURE 3**.



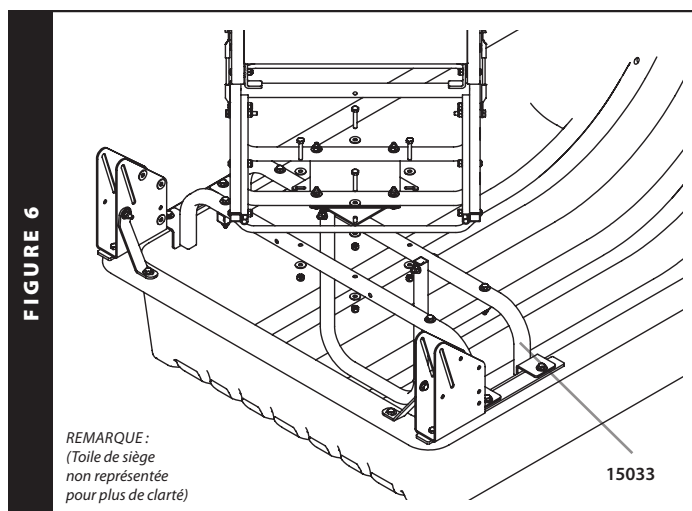
- 4** (A) Attacher deux (2) contrefiches de rail de siège (**15640**) aux rails de siège (**15033**) avec quatre (4) vis de 2-1/4 po, quatre (4) rondelles et quatre (4) écrous, comme sur la **FIGURE 4**.
(B) Attacher le support vertical de siège (**11305**) au rail de siège avant (**15033**) avec deux (2) vis de 2 po, deux (2) rondelles et deux (2) écrous, comme sur la **FIGURE 4**.

REMARQUE : Serrer toute la visserie utilisée jusqu'à ce point.



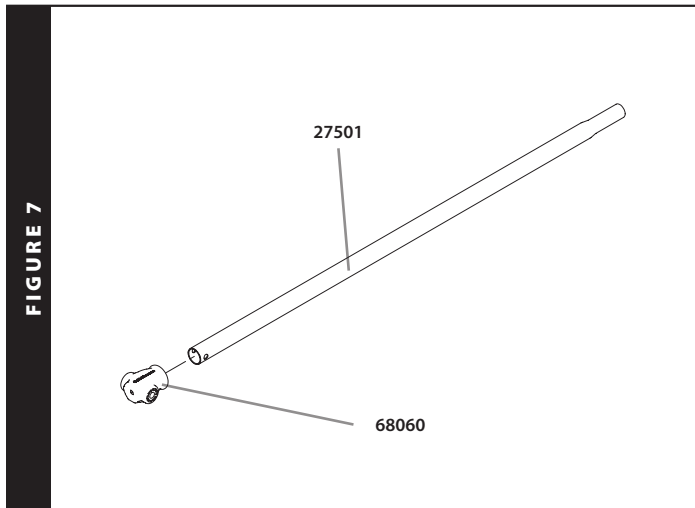
REMARQUE :
(Toile de siège non représentée pour plus de clarté)

- 5** (A) Trouver le siège Versa (**15004**), le sachet de petites pièces (**15752**) et le pivot (**15016**).
(B) Attacher le pivot (**15016**) au siège Versa (**15004**) avec quatre (4) vis de 1-1/2 po, quatre (4) rondelles et quatre (4) écrous, comme sur la **FIGURE 5**.

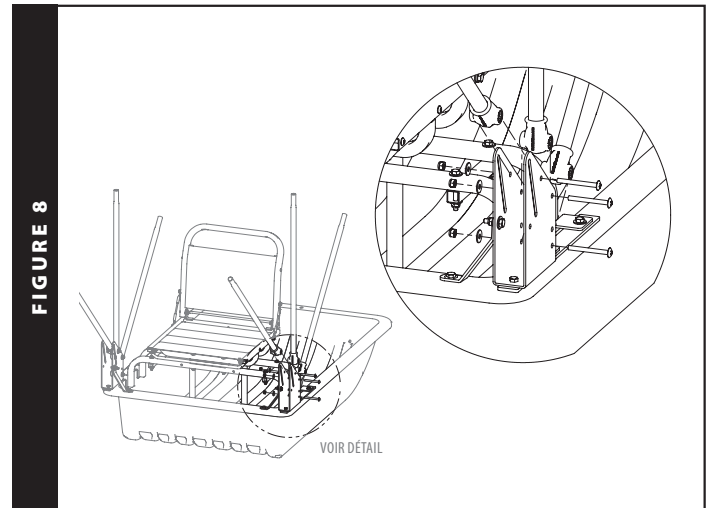


REMARQUE :
(Toile de siège non représentée pour plus de clarté)

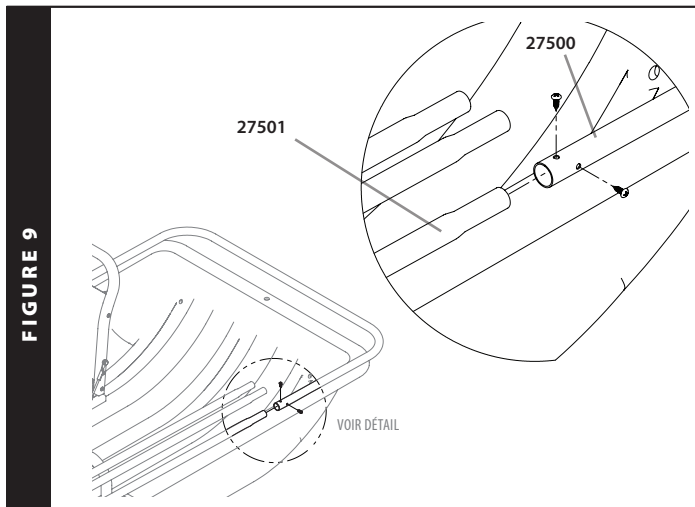
- 6** Attacher l'ensemble siège-pivot assemblé à l'étape 5 aux rails de siège (**15033**), avec quatre (4) vis de 1-1/2 po, huit (8) rondelles et quatre (4) écrous trouvés dans le sachet de petites pièces, comme sur la **FIGURE 6**.



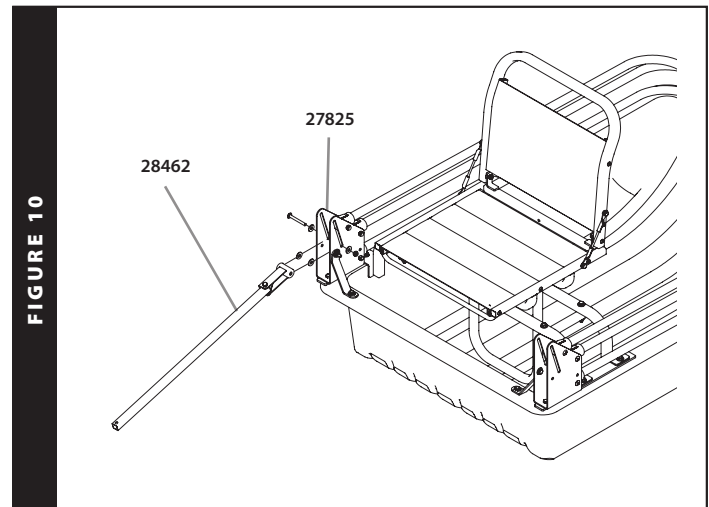
7 Trouver les six (6) capuchons de montant (**68060**) et les six (6) montants d'armature (**27501**). Enfiler un capuchon de montant sur l'extrémité de chaque montant, en alignant les trous de (**68060**) et ceux de (**27501**) comme sur la **FIGURE 7**.



8 Attacher les montants d'armature équipés des capuchons montés à l'étape 7 aux articulations, trois (3) de chaque côté. Les attacher aux articulations avec six (6) vis à tête Phillips de 2-1/2 po, six (6) rondelles et six (6) écrous comme sur la **FIGURE 8**.



9 (A) Monter un (1) arceau d'armature (**27500**) à l'extrémité de deux (2) montants d'armature (**27501**) attacher avec quatre (4) vis à tête dans les trous prépercés de l'arceau (**27500**), comme sur la **FIGURE 9**.
(B) Répéter pour les sections d'armature restantes.

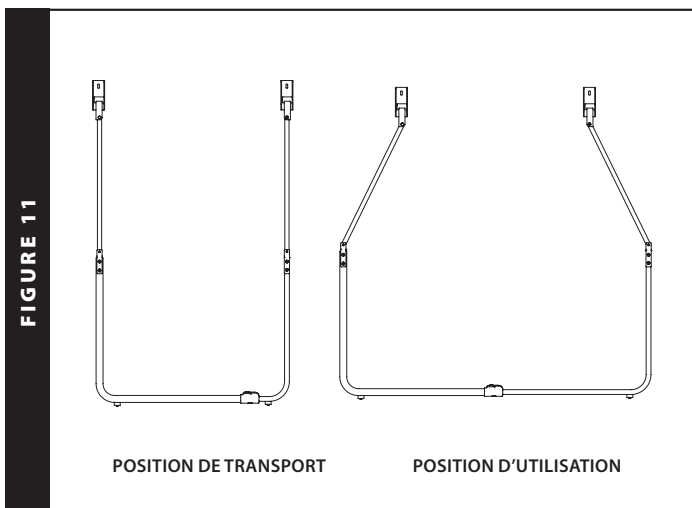


10 (A) Monter un (1) bras de rallonge (**28462**) sur l'articulation (**27825**) avec une (1) vis à tête Phillips de 2-1/2 po, quatre (4) rondelles en plastique et un (1) écrou comme sur la **FIGURE 10**.

REMARQUE : Ne pas trop serrer afin que l'assemblage puisse glisser librement dans le trou oblong.

(B) Répéter de l'autre côté pour le bras de rallonge (**28462**) restant.

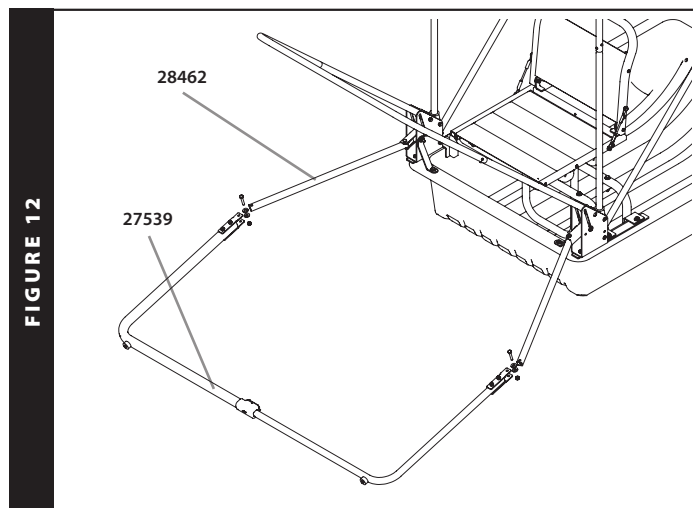
REMARQUE : Le côté libre de chaque bras de rallonge articulé doit être tourné vers le centre du traîneau.



11 Trouver l'armature à rallonge avant (**27539**) et la toile (**41277**). Déplier la toile et s'assurer que l'armature à rallonge est en position de « transport ». Trouver les anneaux métalliques sur l'avant de l'abri et les enfiler sur l'armature à rallonge.

13 Étendre la toile de l'abri sur le dessus de l'armature. Commencer par passer l'arrière de la toile par-dessus le support d'armature avant. Veiller à bien déployer la toile uniformément sur les supports. Continuer de déployer la toile sur les autres supports d'armature jusqu'à ce qu'elle recouvre uniformément l'abri en entier.

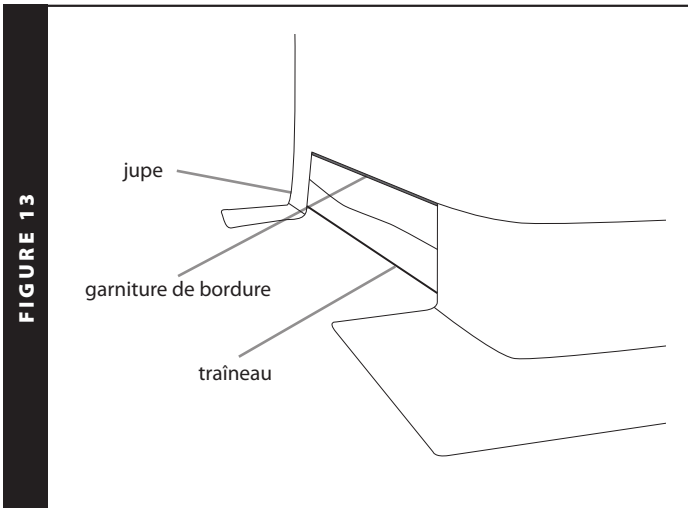
REMARQUE : La fixation de la toile peut être une tâche difficile qui s'effectue de préférence à deux pour assurer une pose correcte et un bon ajustement.



12 Attacher les bras de rallonge (**28462**) à l'armature à rallonge avant (**27539**) avec deux (2) vis de 1-1/2 po, deux (2) rondelles en plastique et deux (2) écrous comme sur la **FIGURE 12**.

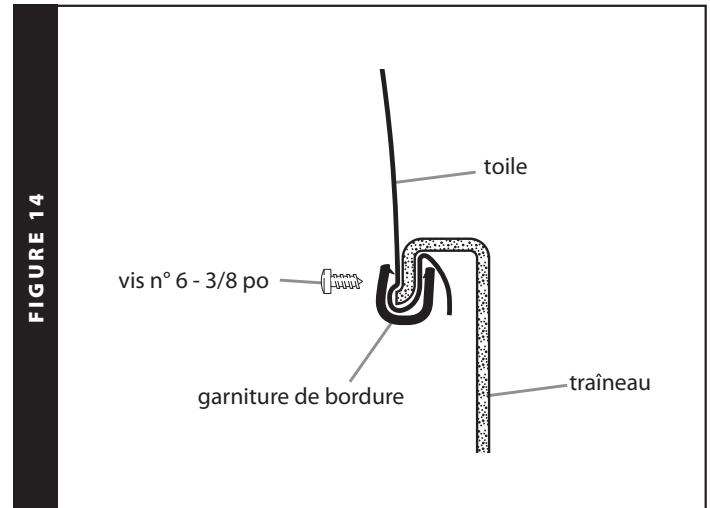
14 Une fois que la toile est sur l'armature, se placer à l'intérieur de l'abri et fixer les attaches auto-agrippantes aux supports d'armature.

15 Après avoir fixé toutes les attaches auto-agrippantes, la garniture de bordure est prête à être posée sur l'arrière de l'abri. Ressortir de l'abri et trouver la garniture de bordure (**69654**) dans la boîte de pièces. Plier la garniture de bordure en deux pour trouver son milieu. Aligner le milieu de la garniture autant que possible sur le centre de la partie arrière de l'abri.



16 Bien tendre la toile et enfoncer la garniture de bordure sur le rebord du traîneau avec la toile de l'abri entre les deux. Il est important de maintenir la toile bien tendue et d'engager la garniture de bordure uniformément des deux côtés de l'abri jusqu'à ce qu'elle soit complètement en place. **VOIR FIGURE 13.**

REMARQUE : En tirant sur la toile pour la tendre, veiller à **NE PAS soulever le support d'armature inférieur du sol. Pour assurer un bon ajustement, vérifier que toutes les barres d'écartement sont correctement en place avant d'attacher la garniture de bordure. Un maillet en caoutchouc peut s'avérer utile pour attacher la garniture de bordure au rebord du traîneau.**



17 Fixer la garniture de bordure avec les treize (13) vis à tôle n° 6 x 3/8 po fournies. Une visseuse avec un embout à tête Phillips est conseillée, mais pas indispensable, pour cette étape. **VOIR FIGURE 14.**

REMARQUE : Les vis doivent être régulièrement espacées. Cette opération signifie que de très petits trous sont percés dans la toile pour fixer la garniture et la toile au rebord de traîneau. Cela n'altère en rien les performances de l'abri.

MONTAGE SUPPLÉMENTAIRE

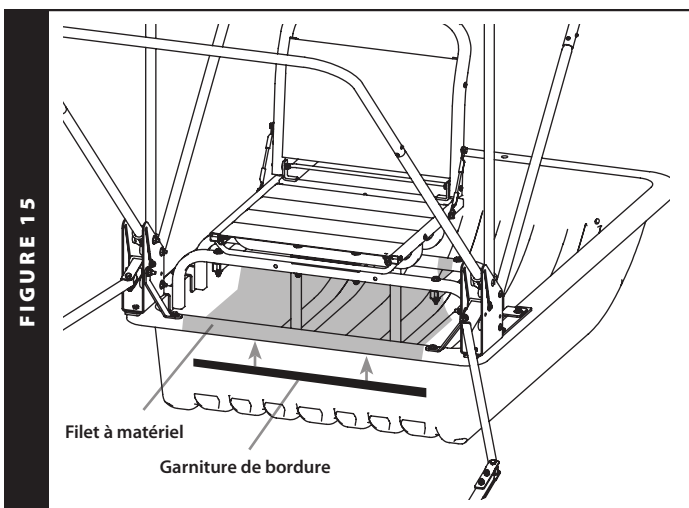
CORDE DE TRACTION

Trouver la corde de traction de 2,4 m (8 pi) fournie dans le sachet de petites pièces. Pour monter la corde de traction, trouver les deux trous dans l'avant du traîneau et enfiler les deux bouts de la corde à travers un trou chacun. Faire un nœud à chaque extrémité de la corde pour l'empêcher de ressortir des trous. Cette corde est prévue pour tirer le traîneau à la main seulement. **NE PAS** utiliser cette corde pour le remorquer au moyen d'un véhicule à moteur. Pour le remorquage à grande vitesse, veiller à utiliser l'attelage accessoire universel Eskimo (11608).

FILET À MATÉRIEL

L'Eskimo Wide 1™ Thermal est fourni avec un filet à matériel qui offre un rangement sur la glace et en dehors.

Pour monter le filet à matériel (15596) sur le traîneau, accrocher les attaches auto-agrippantes au rail de siège arrière (15033). Après avoir attaché le filet à matériel aux rails de siège, trouver la garniture de bordure de 61 cm et le restant des vis pour garniture de bordure utilisées précédemment. Pour fixer le filet à matériel, l'attacher sur le rebord avant du traîneau avec la garniture de bordure et les vis pour garniture. **VOIR FIGURE 15 CI-DESSOUS.**



DÉPLOIEMENT / REPLIAGE

Étendre l'armature à rallonge avant jusqu'en position d'« utilisation » (**VOIR FIGURE 11**) avant de retourner l'abri. L'armature avant doit être tout en bas des trous oblongs de l'articulation durant l'utilisation.

Pour replier l'abri, resserrer l'armature avant jusqu'en position de « transport » (**VOIR FIGURE 11**) et rabattre les montants vers l'arrière sur l'abri en tirant l'armature avant jusqu'en haut des trous oblongs de l'articulation.

Les jours de beau temps un peu venteux, l'armature avant peut être étendue en position d'« utilisation » et déployée à moitié (en la laissant dans le bas des trous oblongs de l'articulation) pour former un coupe-vent.

REMARQUE : Faire preuve de précaution pour ne pas arracher ni déchirer la toile, en particulier autour des articulations ou de toute zone de pincement.

REMARQUE : Il est possible d'acheter un capot de transport Eskimo (16475) pour protéger l'abri durant les déplacements sur le lac.

ENTREPOSAGE À LONG TERME

- Toujours s'assurer que l'abri pour pêche sur glace est complètement sec avant de l'entreposer pendant de longues périodes. L'entreposage de l'abri pour pêche sur glace alors qu'il est humide ou mouillé peut provoquer des moisissures.
- Démontez la toile du traîneau et de l'armature de l'abri.
- Nettoyez tout le sel, l'humidité et les saletés de la toile, du traîneau et des barres d'armature de l'abri. Essuyez les montants avec un chiffon humide.
- Entreposez la toile, l'armature et le traîneau dans un endroit frais et sec à l'abri des rongeurs.

REMARQUE : Lubrifier les montants coulissants avec du silicone en aérosol au moins une fois par saison. Ne pas utiliser d'huile ni de graisse pour lubrifier.

WIDE 1™ THERMAL

Modalités et conditions de la garantie

GARANTIE PRODUIT : GARANTIE LIMITÉE 1 AN*

Ardisam, Inc., couvre cet abri Eskimo® Wide 1™ Thermal par une garantie limitée un an pièces et main-d'œuvre pendant une durée maximale de douze mois consécutifs à compter de la date de l'achat initial par le premier acheteur au détail ou utilisateur commercial. L'« usage grand public » fait référence à une utilisation personnelle à des fins récréatives par un acheteur au détail. L'« usage commercial », ou « application commerciale », correspond à toutes les autres utilisations, notamment à des fins commerciales, lucratives ou de location. Une fois que le produit a fait l'objet d'un usage commercial, il sera toujours considéré par la suite comme étant un produit à usage commercial pour les besoins de la garantie. La présente garantie ne couvre pas les fenêtres fissurées, les déchirures de toile ni les déformations d'armature causées par des conditions de grand vent, de mauvaises conditions météorologiques, une utilisation sans surveillance ou des utilisations autres que celles indiquées dans le manuel de l'utilisateur. Cette garantie s'applique au propriétaire initial muni d'une preuve d'achat de l'abri. La garantie n'est pas cessible. La période de garantie débute à la date d'achat par le premier acheteur au détail ou utilisateur commercial et s'étend ensuite sur une durée de douze mois consécutifs. Tout article utilisé dans le cadre d'une activité commerciale est couvert pendant une durée de 90 jours après l'achat. Pour que la garantie soit valable, le produit doit être enregistré en ligne à www.GetEskimo.com ou la carte de garantie doit être remplie et reçue par Ardisam, Inc. dans les 30 jours après l'achat. Ardisam n'est sous aucune obligation d'expédier un produit réparé ou échangé à une quelconque adresse en dehors des États-Unis d'Amérique et du Canada.

Pour toute pièce de rechange, appeler le 800-345-6007 ou aller à www.geteskimo.com.

**La présente garantie s'applique exclusivement aux produits n'ayant pas fait l'objet de négligence, emploi détourné, utilisations autres que celles indiquées dans le manuel de l'utilisateur du produit, modification, accident, utilisation de pièces non autorisées, manquement à effectuer l'entretien régulier indiqué dans le manuel de l'utilisateur du produit, usure normale, utilisation de pièces non autorisées ou réparations effectuées ailleurs que dans un centre de réparation agréé. Il n'existe aucune autre garantie expresse. Les garanties implicites, y compris celles de qualité marchande et d'adaptation à un emploi particulier, sont limitées à un an à compter de la date d'achat ou dans la mesure prévue par la loi. Toutes les autres garanties implicites sont exclues. La responsabilité de dommages indirects ou accessoires est exclue dans la mesure où l'exclusion est autorisée par la loi. Ardisam, Inc. n'assume aucune responsabilité, et n'autorise personne à assumer en son nom une quelconque responsabilité, en rapport avec la vente de ses produits. Pour recourir à la garantie, veiller à obtenir un accord préalable en appelant notre service après-vente au 1-800-345-6007. Avant d'envoyer le produit à Ardisam pour une réparation sous garantie, l'accord préalable d'Ardisam doit être obtenu en appelant notre service après-vente pour recevoir un numéro d'autorisation de renvoi de matériel (RMA#). Sous ces circonstances, tous les articles doivent être envoyés en port payé. Ardisam, à son entière discrétion, réparera ou remplacera sans frais toute pièce défectueuse qui remplit toutes les conditions énoncées ci-dessus. Ardisam se réserve le droit de modifier les modèles, les caractéristiques et les prix sans préavis. Ardisam n'est sous aucune obligation d'expédier un produit réparé ou échangé à une quelconque adresse en dehors des États-Unis d'Amérique et du Canada.*



Eskimo®, Division d'Ardisam, Inc.
1730 Industrial Avenue, PO Box 666
Cumberland, WI 54829
800-345-6007 | Télécopie 715-822-2223
Courriel : info@geteskimo.com

Tous les poids, dimensions et caractéristiques indiqués sont approximatifs et sujets à modification sans préavis. En raison des constantes améliorations de nos produits, les représentations du produit peuvent être inexactes. Articles utilisés en tant qu'accessoires non compris. Un certain assemblage peut être requis.