

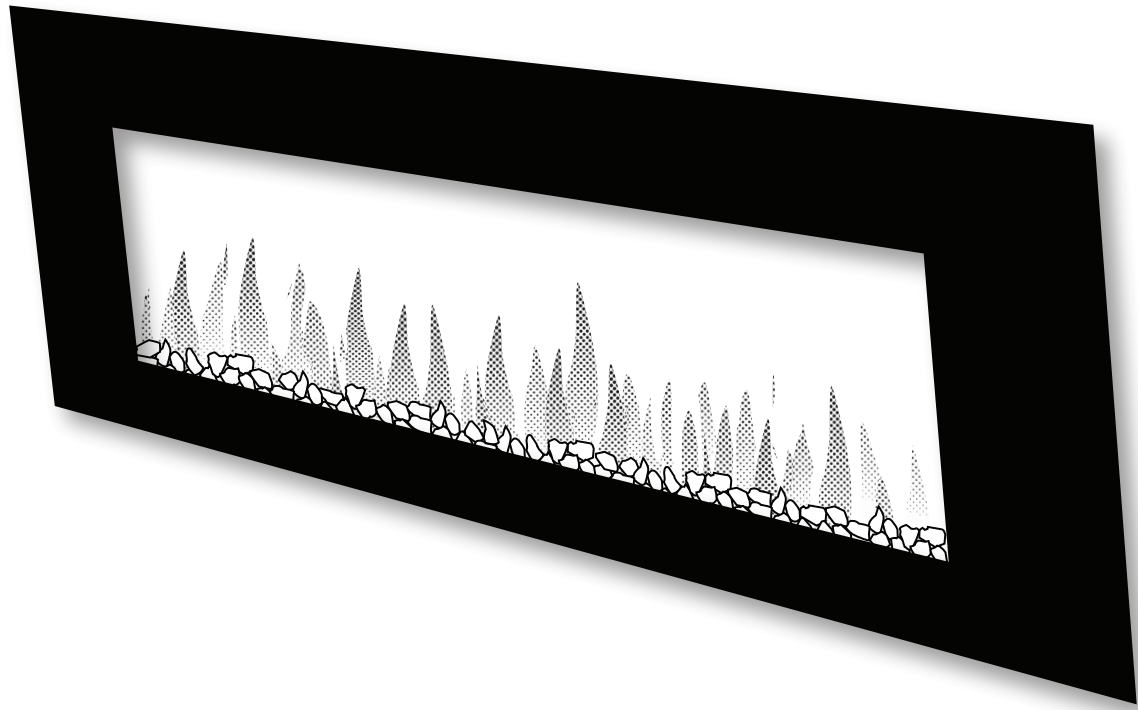


PO: _____

Lot: _____



realflame[®]



72" Corretto Wall-Mounted Fireplace

Model # 1360E

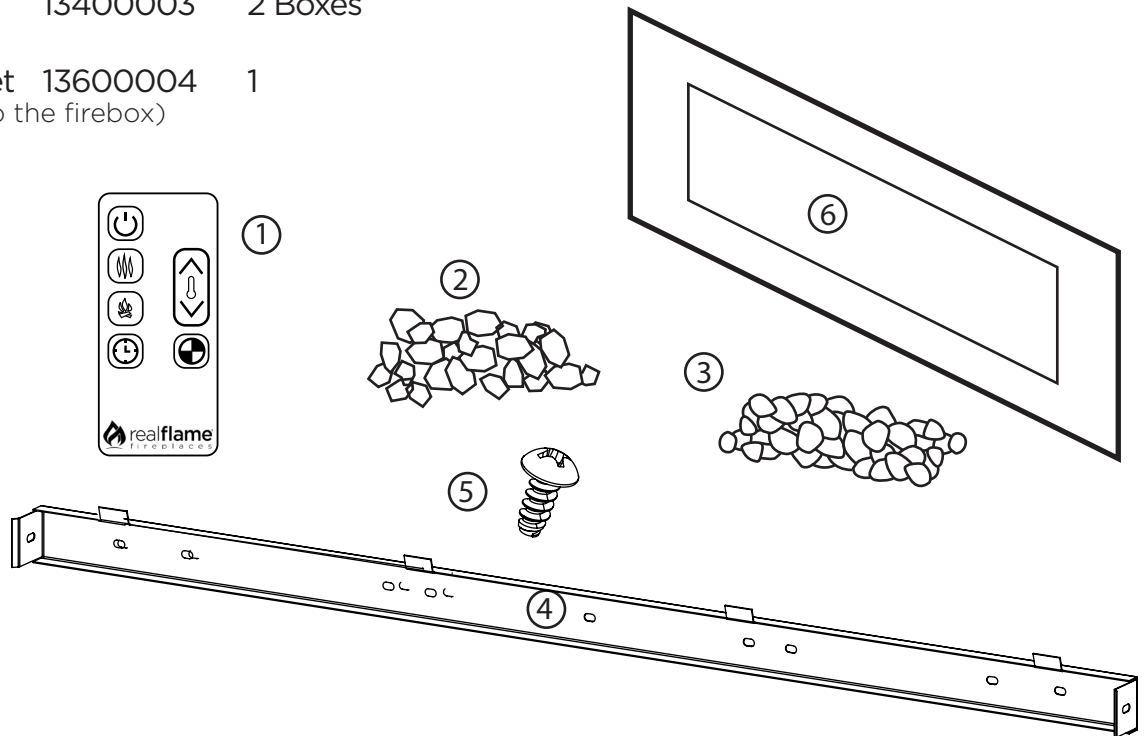
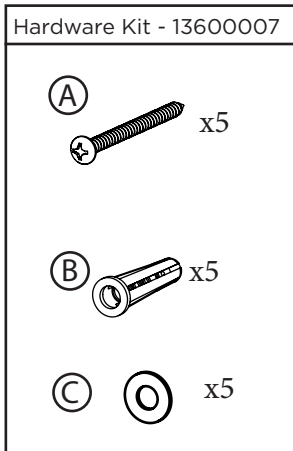
English • Français • Español

TABLE OF CONTENTS

Parts List	2
Important Safety Instructions	3
Site Selection and Preparation	5
Installation	6
Operation and Features	12
Care and Maintenance	15
Warranty	16
Return Policy	17
Ownership Registration	53

PARTS LIST

Part Name	Part No.	Qty.	Part Name	Part No.	Qty.
① Remote control	13400001	1	⑤ Mounting screws (Note: Attached to the firebox)		15
② Crushed glass	13300004	2 Boxes	⑥ Glass front panel	13600106	1
③ Stone Filler	13400003	2 Boxes			
④ Mounting Bracket (Note: Attached to the firebox)	13600004	1			



NOTE

Tools required: level, electric drill, drill bits [8mm (5/16in)], Phillips screwdriver, hammer, safety goggles and gloves.

IMPORTANT SAFETY INSTRUCTIONS

SAVE THIS USER'S GUIDE FOR FUTURE REFERENCE

When using electrical appliances, basic precautions should always be followed to reduce the risk of fire, electric shock, injury or death.

Read all instructions before installing or using this fireplace






1. Electric fireplace is for indoor use only.
2. Do not modify the electric heater in any way. Use it only as described in this manual. Any other use not recommended by Real Flame may cause a fire, electric shock, serious injury or death.
3. The heater may become hot when in use and could burn you. To avoid burns, do not let bare skin touch hot surfaces. **Keep combustible materials, such as furniture, pillows, bedding, papers, clothes, and curtains at least 3 feet (0.9m) from the top, sides and rear of the unit.**
4. Always use properly grounded, fused and polarized outlets.
5. Always call a certified electrician if new circuits or outlets will be required.
6. Extreme caution is necessary when any heater is used by, or near, children or people with disabilities. The unit should never be left unattended.
7. The electric heater is not intended for use in bathrooms, laundry areas and similar indoor locations. Never locate heater where it may fall into a bathtub or in other areas where it may come into contact with water; dangerous electric shock could occur.
8. Do not operate any unit with a damaged cord or plug, or if the heater has malfunctioned, or if the fireplace has been dropped or damaged in any manner. Contact Real Flame at 1-800-654-1704.
9. The cord may become hot when the fireplace is in operation. Do not run the cord under carpeting, furniture, or appliances. Do not cover cord with throw rugs, runners, or similar items.
10. To prevent people from tripping on the cord, make sure it is placed away from high traffic areas.
11. Do not insert or allow foreign objects to enter any ventilation or exhaust opening as this may damage the heater or result in electric shock.
12. To prevent a possible fire, do not block air intake or exhaust in any manner. Do not use on soft surfaces, like a bed, where openings may become blocked.
13. All electrical heaters have hot, arcing or sparking parts inside. Do not use in areas where gasoline, paint, or flammable liquids are used or stored or where the unit will be exposed to flammable vapors. Doing so could result in a fire or cause an explosion.
14. Do not burn wood or other materials in the electric heater; the unit or the wall could catch fire if you do.
15. To disconnect the unit, turn the firebox off and then remove the plug from the outlet.
16. Always unplug the electric heater when not in use for an extended period of time.


Glass Panel Information

1. The panel is made of tempered glass.
2. Under no circumstances should this product be operated with a broken or chipped glass panel.
3. Do not hit or slam the glass.
4. Do not use abrasive cleaners to clean the glass.

IMPORTANT SAFETY INSTRUCTIONS (Cont'd.)

SAVE THESE INSTRUCTIONS


 WARNING	
	<ul style="list-style-type: none">•Risk of electric shock•Do not open•Non-user serviceable parts inside
DESCRIPTIONS OF WARNINGS	
 NOTE	Procedures and techniques that are considered important enough to emphasize.
 CAUTION	Procedures and techniques which, if not carefully followed, will result in damage to the equipment.
 WARNING	Procedures and techniques which, if not carefully followed, will expose the user to the risk of fire, serious injury, illness or death.

 **NOTE** This equipment has been tested and found to comply with the limits for Class B digital device, pursuant to part 15 of the FCC Rules. These limits are designed to provide reasonable protection against harmful interference in a residential installation. This equipment generates, uses and can radiate radio frequency energy and, if not installed and used in accordance with the instructions, may cause harmful interference with radio or television reception. That can be determined by turning the equipment off and on. The user is encouraged to try to correct the interference by one or more of the following measures:

- Reorient or relocate the receiving antenna.
- Increase the separation between the equipment and the receiver.
- Connect the equipment into an outlet on a circuit different from that to which the receiver is connected.
- Consult the dealer or an experienced radio / TV technician for help.

Operation is subject to the following two conditions:

- (1) This device may not cause interference.
- (2) This device must accept any interference, including interference that may cause undesired operation of the device.

 **NOTE** A 15amp, 120-volt circuit is required. A dedicated circuit is preferred but not essential in all cases. A dedicated circuit will be required if, after installation, the circuit breaker trips or the fuse blows on a regular basis when the heater is operating. Additional appliances on the same circuit may exceed the current rating of the circuit breaker.

If you have any questions about our products please contact Real Flame® customer service at 1-800-654-1704

SITE SELECTION AND PREPARATION

WARNING

To reduce the risk of fire or electric shock when installing:

- Make sure the power cord is not pinched or against a sharp edge when installed.
- Ensure that the power cord is stored or secured to avoid tripping or snagging.
- Construction and electrical outlet wiring must comply with local building codes and other applicable regulations.
- Do not attempt to wire your own new outlets or circuits. Always call a licensed electrician.

See figure 1 for grounding instruction. This heater is for use on 120 volts. The cord has a plug as shown at A in Figure 1. An adapter as shown at C is available for connecting three-blade grounding-type plugs to two-slot receptacles. The green grounding lug extending from the adapter must be connected to a permanent ground such as a properly grounded outlet box. The adapter should not be used if a three-slot grounded receptacle is available.

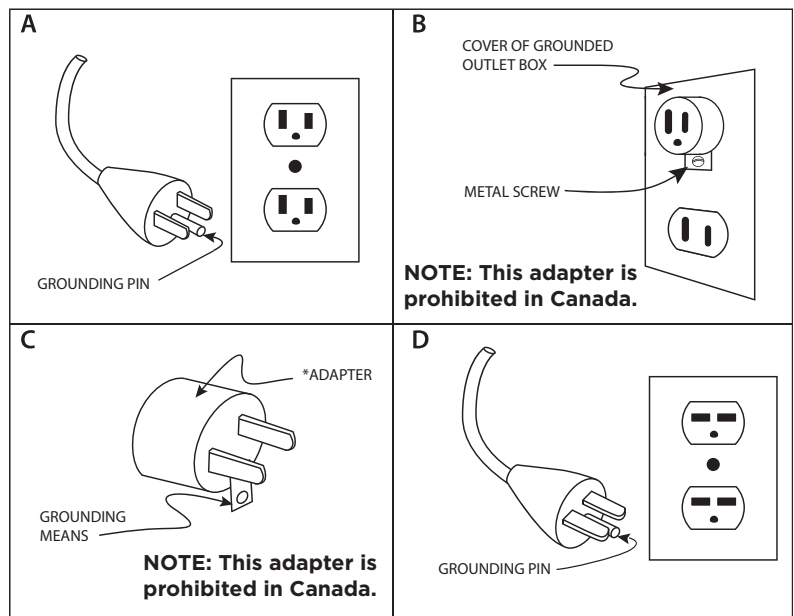


Fig. 1

Manual Reset

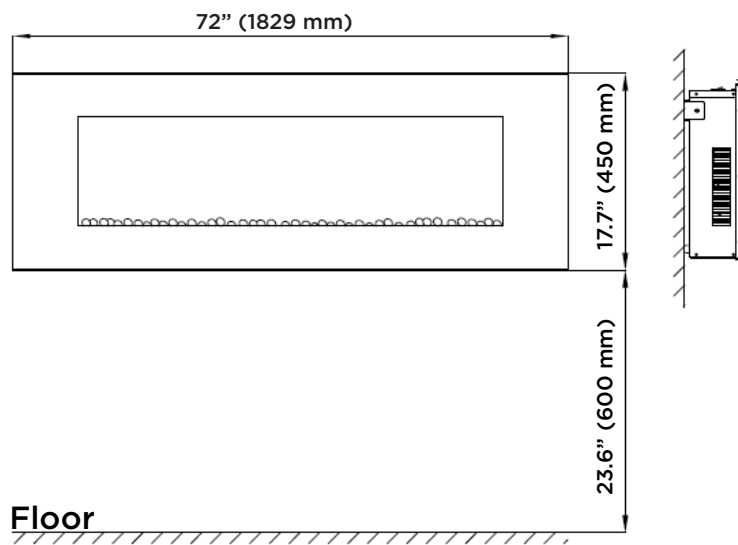
To manually reset the firebox, unplug power cord, wait 15 seconds and plug back into the wall outlet.

INSTALLATION

⚡ WARNING This appliance is designed to be fixed to a wall at a minimum height of 12 in (300mm) and at a minimum distance of 39in (1000mm) from the top of the heater to the ceiling. The wall bracket must be fitted horizontally with the cable routed to the bottom right of the fireplace.

NOTE A distance of 23.62in (600mm) from the base of the fireplace to the floor is recommended for the best view of the fireplace.

NOTE Two people are required for installation.



Step 1: Place the fireplace on a padded surface. Unscrew the 4 mounting screws on the top and 2 mounting screws on each side of the fireplace (see Fig. A). Set these screws to the side.

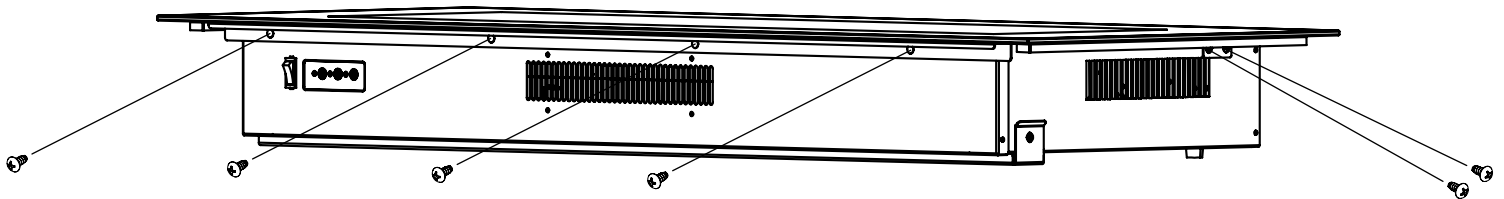


Fig. A

INSTALLATION (Cont'd.)

Step 2: Remove the front glass as shown in Fig B. Handle it with care.

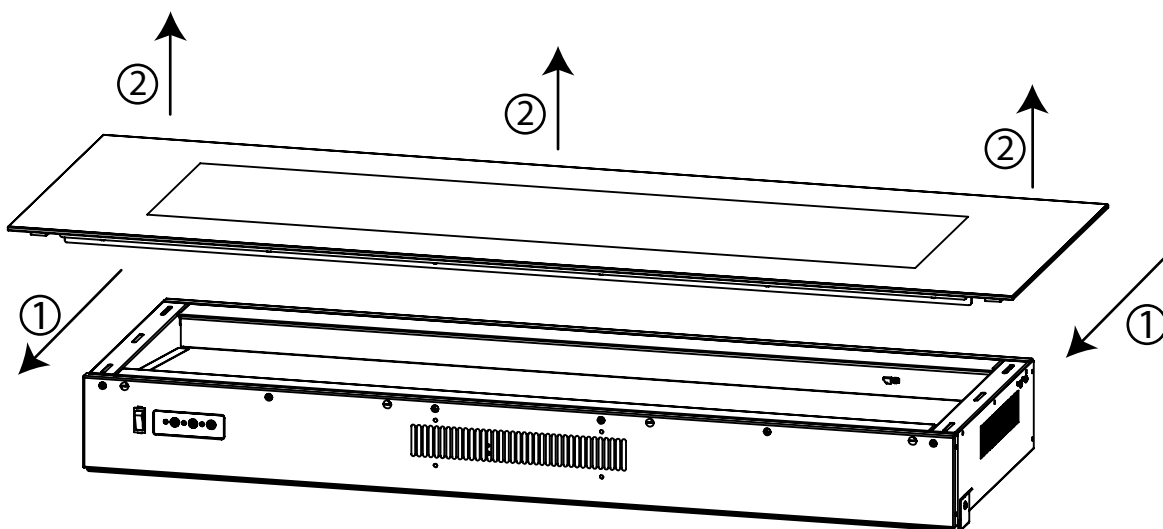


Fig. B

Step 3: The mounting bracket is fixed on the back of the fireplace. Unscrew 2 screws and remove the bracket. See Fig. C.

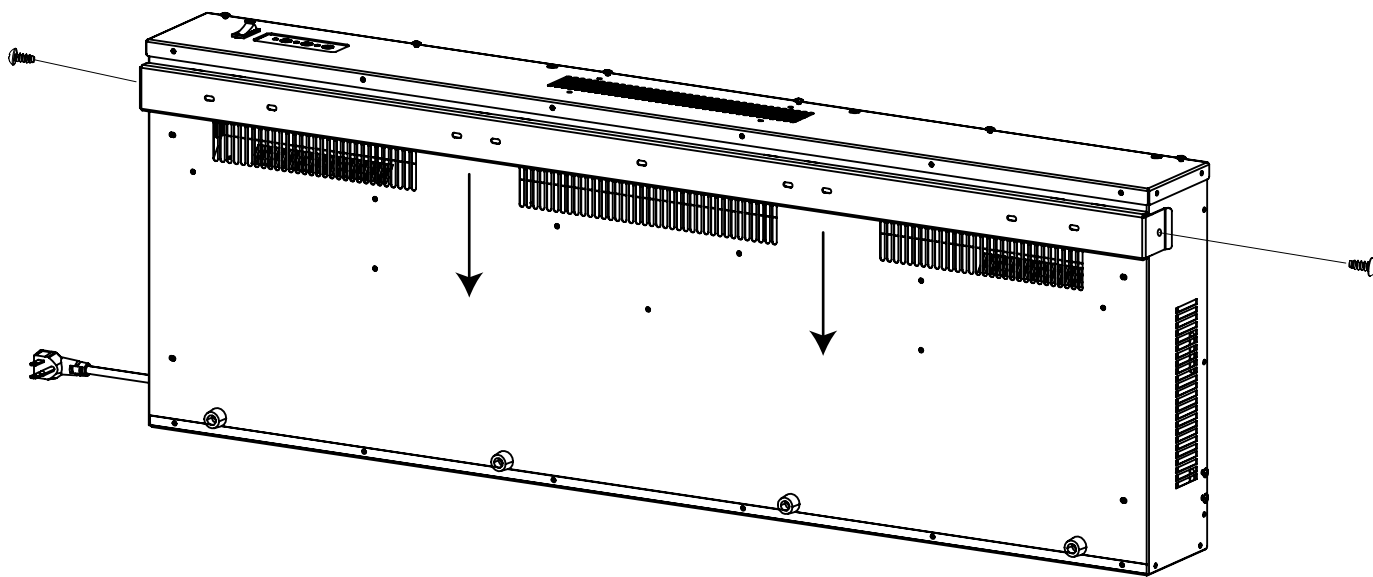


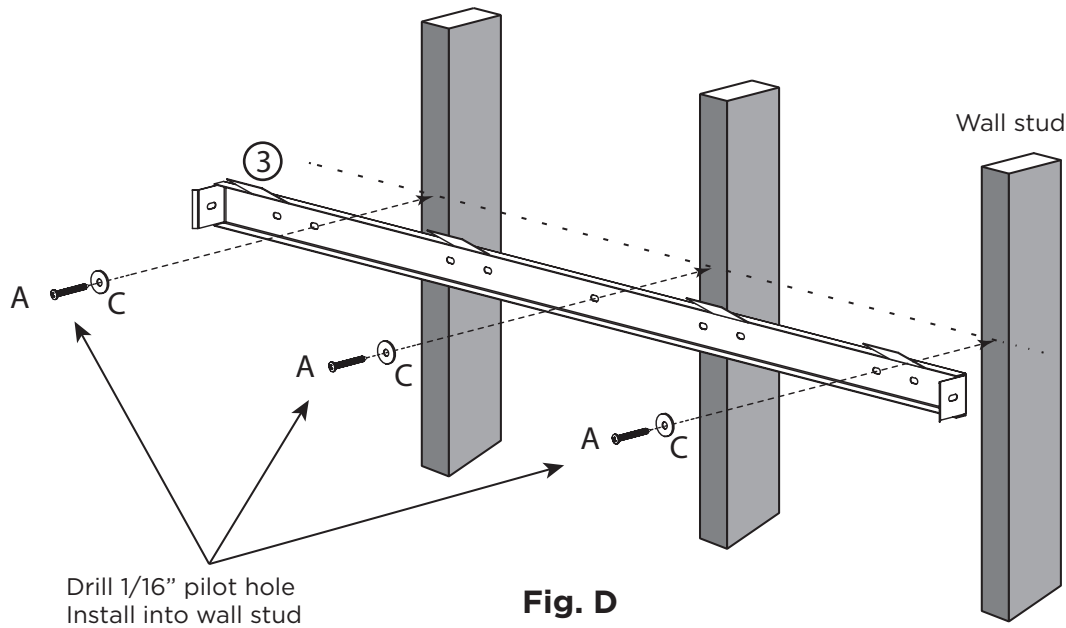
Fig. C

INSTALLATION (Cont'd.)

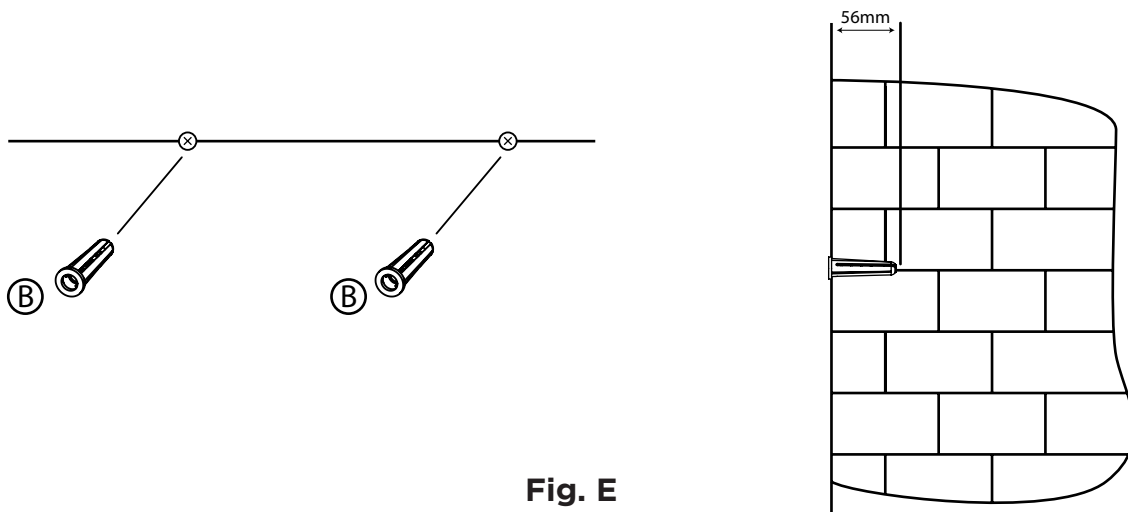
Mounting the Firebox Bracket

Step 4:

- Locate studs where the firebox will be mounted.
- Following the height diagram on page 6, mark the location on a stud and drill a 1/16" pilot hole for mounting the bracket to a wall stud. One stud is required to safely mount this bracket using either of the holes in the center of the mounting bracket (3).
- Attach the mounting bracket to the wall using one screw.
- Level the bracket and mark the remaining hole locations.
- Install remaining screws to finish mounting the bracket (3).

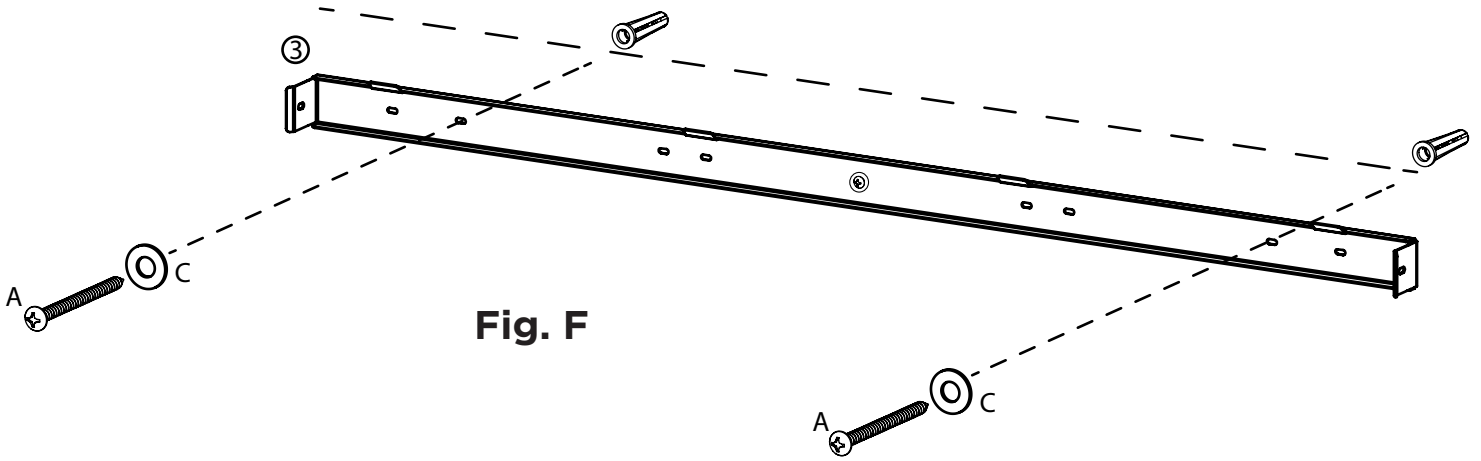


Step 5: For the holes that do not hit a stud, drill holes 5/16in(8mm) and use the supplied wall anchors. Install the wall anchors into the holes and gently tap them into place with a hammer until the flange of the wall anchor is flush with the wall surface. See Fig. E.



INSTALLATION (Cont'd.)

Step 6: Secure the mounting bracket to the wall anchors using the anchors and screws as shown in Fig. F.



Step 7: Mount the fireplace on the wall using the slots of the metal bracket at the back of the fireplace. See Fig. G. Make sure that the mounting bracket is completely engaged into the metal bracket at the back of the fireplace.

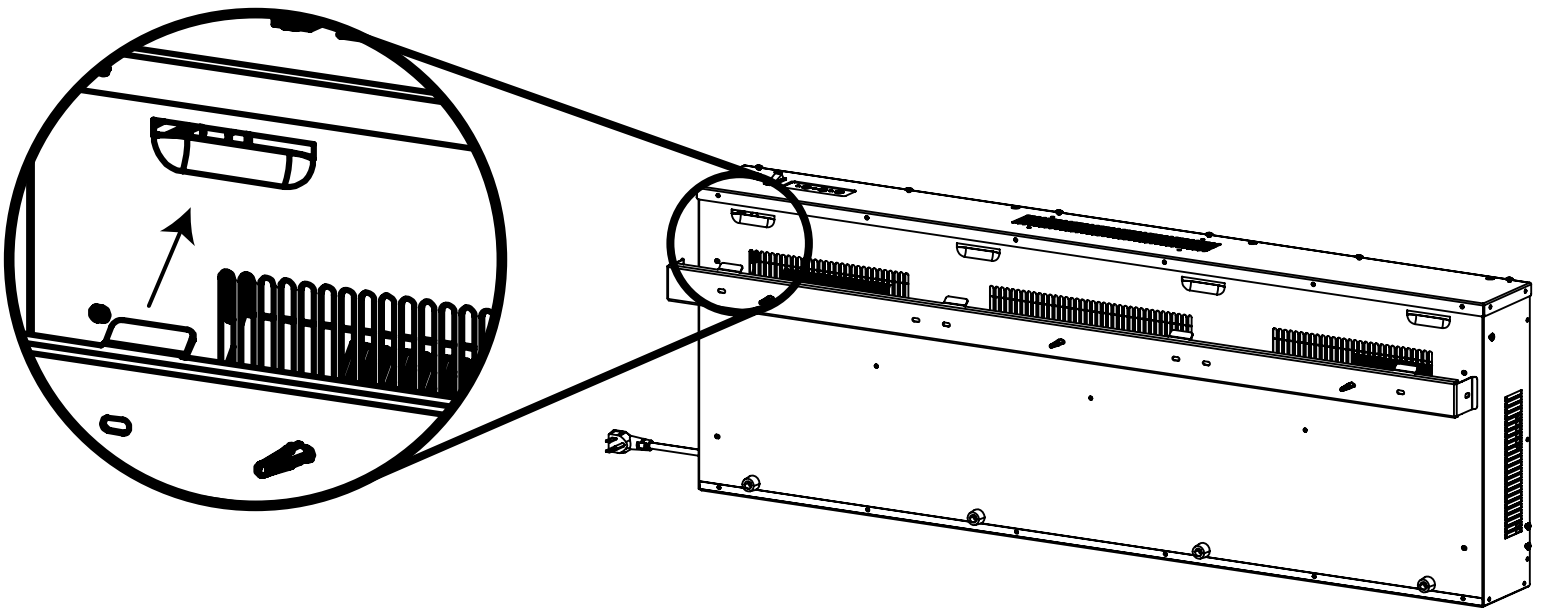


Fig. G

INSTALLATION (Cont'd.)

Step 8: Secure the mounting bracket to the fireplace using 2 mounting screws. See Fig. H.

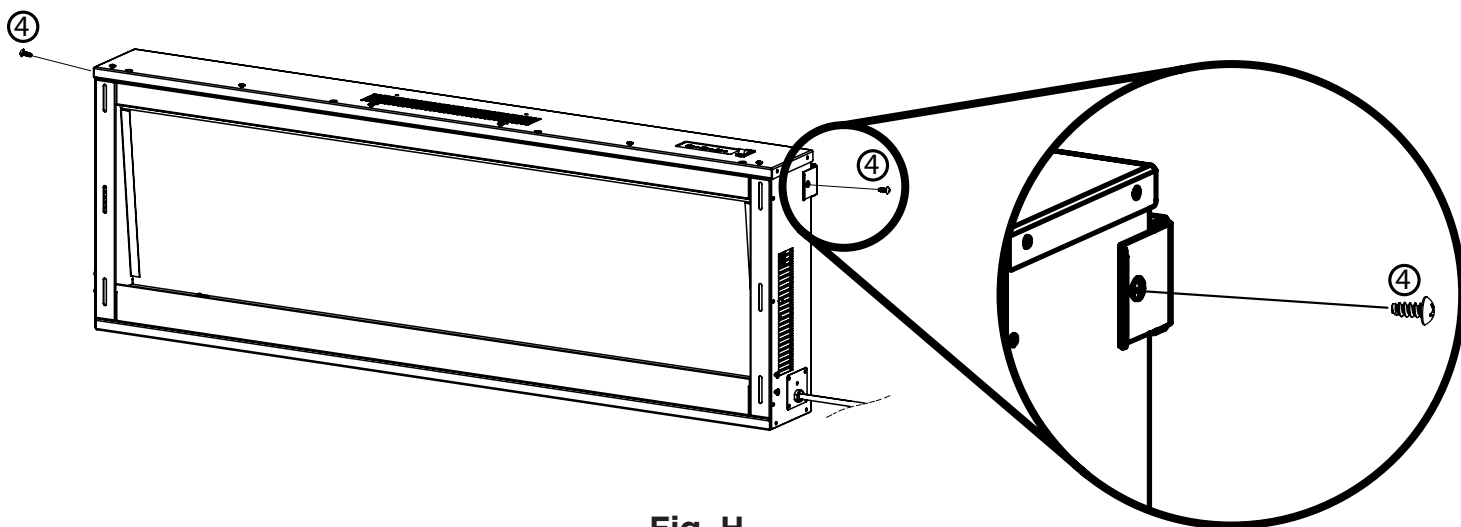


Fig. H

Step 9: Put the crushed glass or stone filler onto the shelf panel of the fireplace. See Fig. I.

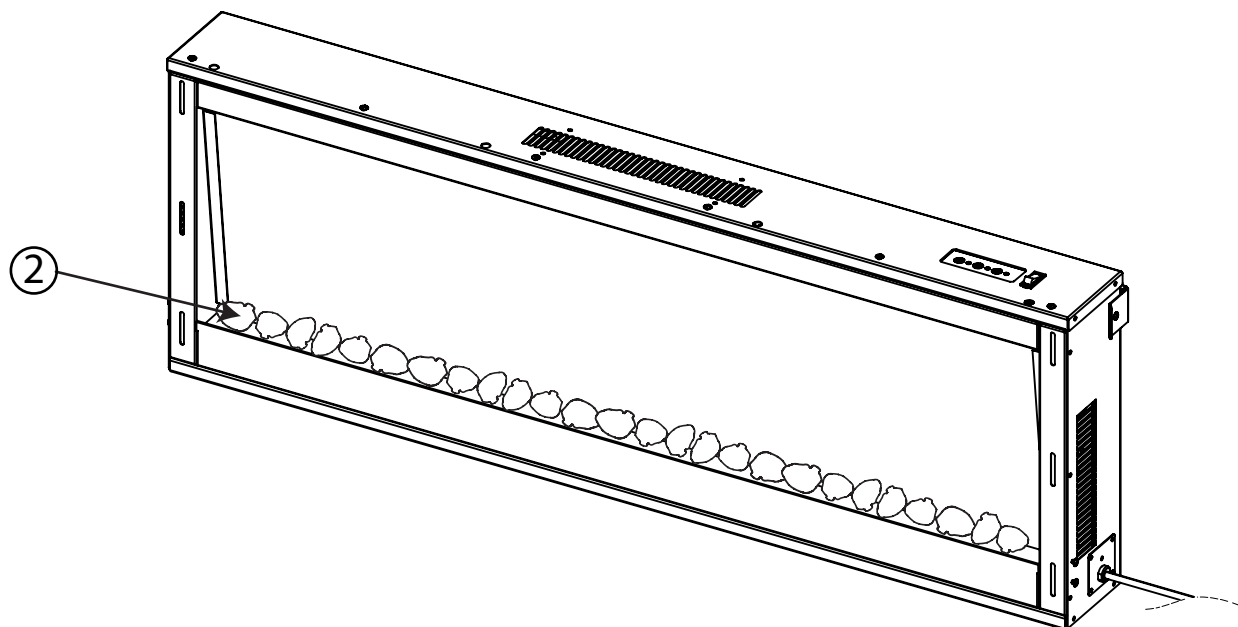


Fig. I

INSTALLATION (Cont'd.)

Step 10: Hold the front cover tightly and engage it with the 6 slots on both sides of the fireplace. Make sure the front cover has been completely inserted into **ALL 6** slots before removing your hands. See Fig. J.

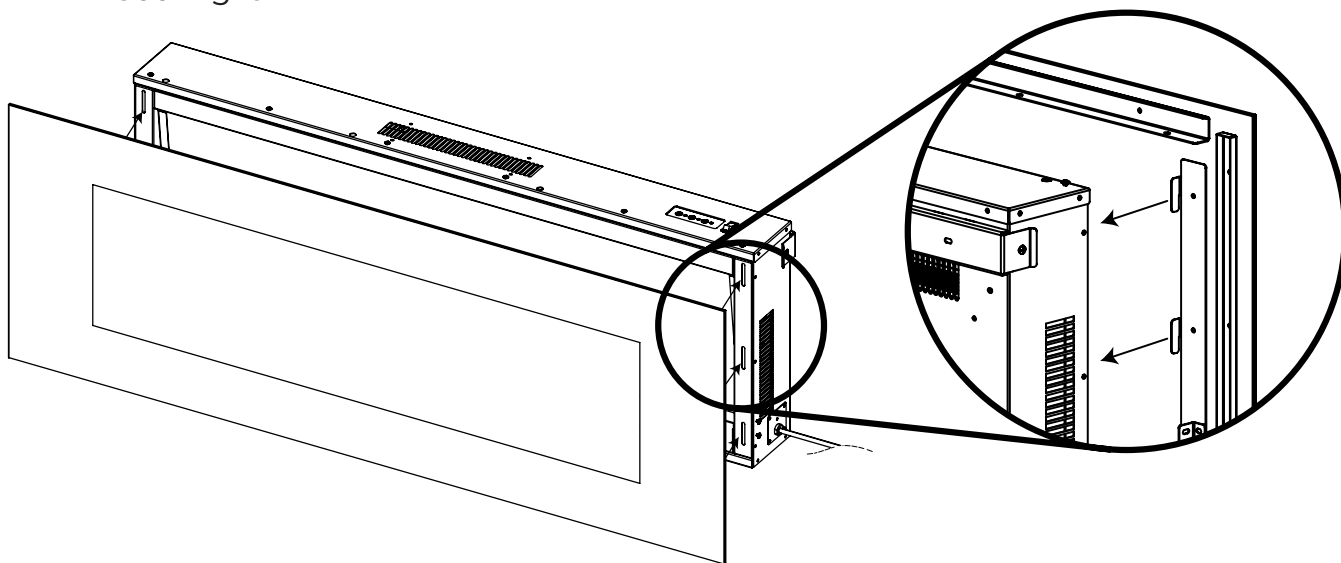


Fig. J

Step 11: Secure the front cover to the top and both sides of the fireplace using 8 mounting screws. See Fig. K.

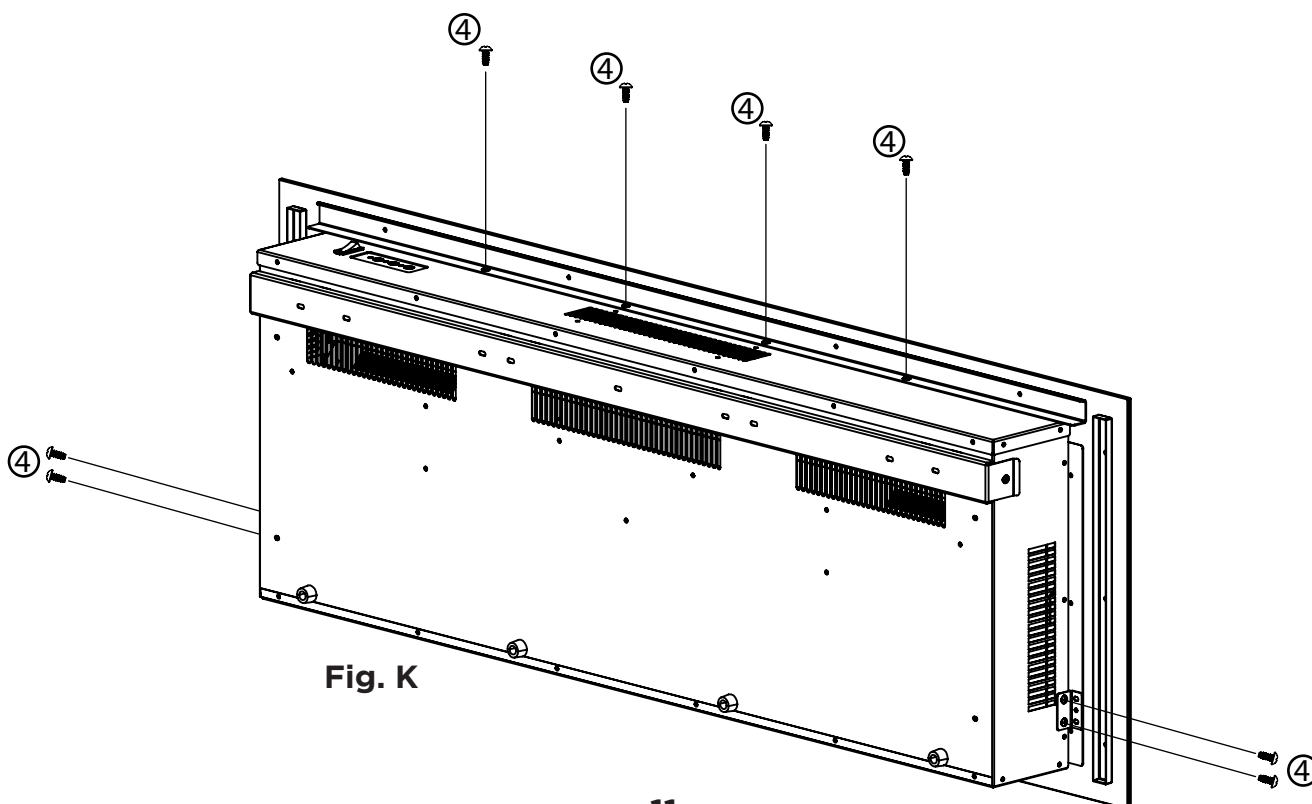


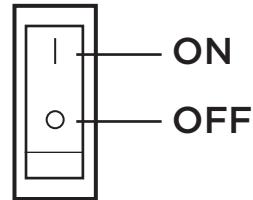
Fig. K

OPERATION AND FEATURES

CONTROL PANEL OPERATION

After reading all the instructions, confirm that all controls on fireplace are in the OFF position. Plug the fireplace into a 15AMP/120Volt outlet. The control panel is located at the top right of your fireplace.

MAIN POWER Press the O/I button for main power.



HEATER

Changes heat from off to low or high.

COLOR

Changes color of flames with six options.

TEMP.

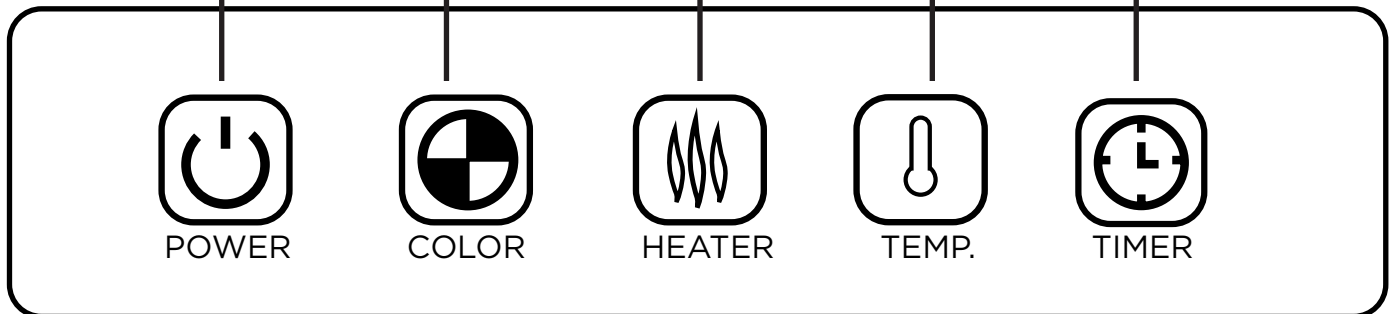
Changes heat setting. Between 62°F and 82°F

TIMER

Auto shutoff between 0-8 hours.

POWER

Turns unit on and off.



Note: When the O/I switch is turned OFF, all other fireplace functions will stop.



NOTE When turned to standby the embers of the flame will not immediately go out. This is a designed feature to represent the embers of the fire slowly fading out.



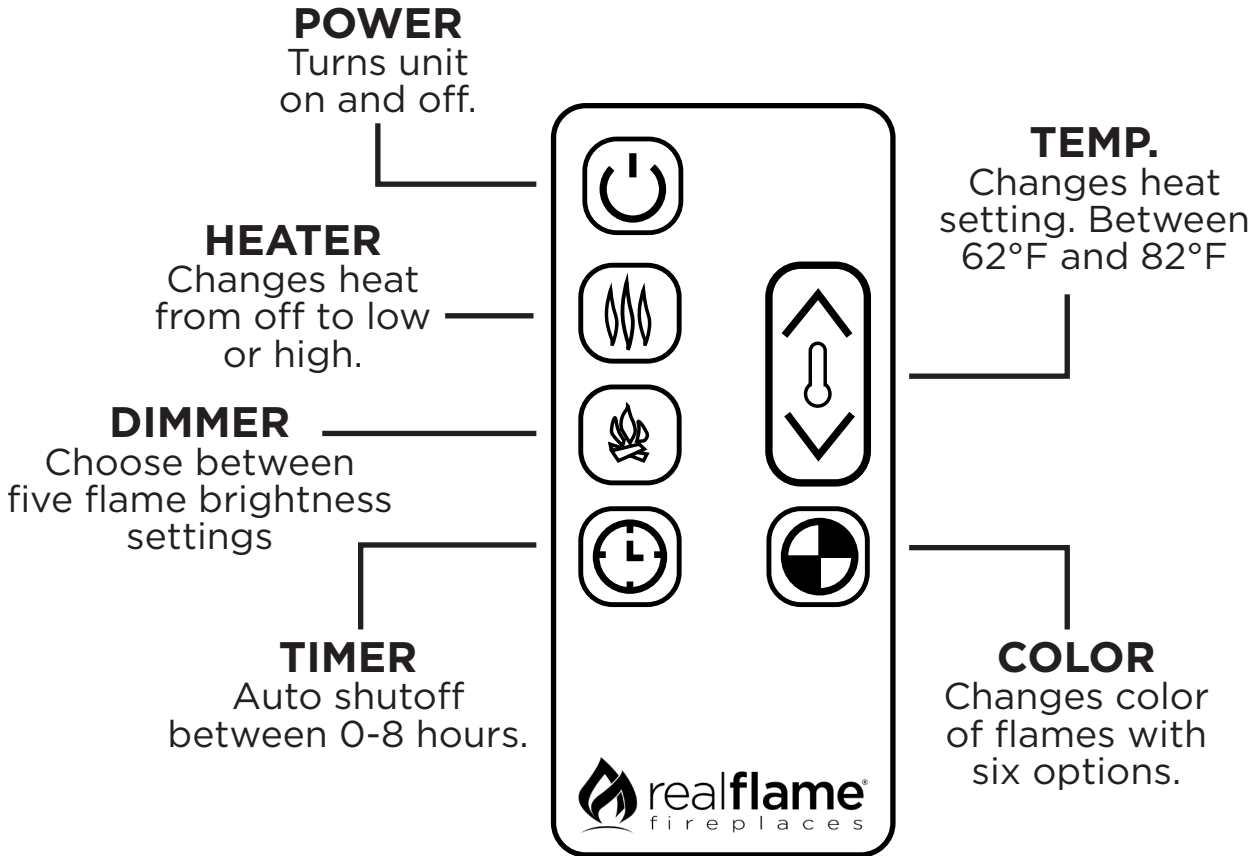
NOTE Although the heater has been turned off the fan may still run to prevent over-heating.

TECHNICAL SPECIFICATION Supply: 120V-60Hz. Rated Power: 1400W

OPERATION AND FEATURES (Cont'd.)

REMOTE CONTROL OPERATION

To use the remote control, make sure that the Power Switch (I/O) on the fireplace has been turned on.



REMOTE CONTROL BATTERY REPLACEMENT

The remote control requires one 3V CR2025 Lithium Cell Battery (included). Remove the protective sheet between the battery and the contacts in order to operate. See Fig. L.

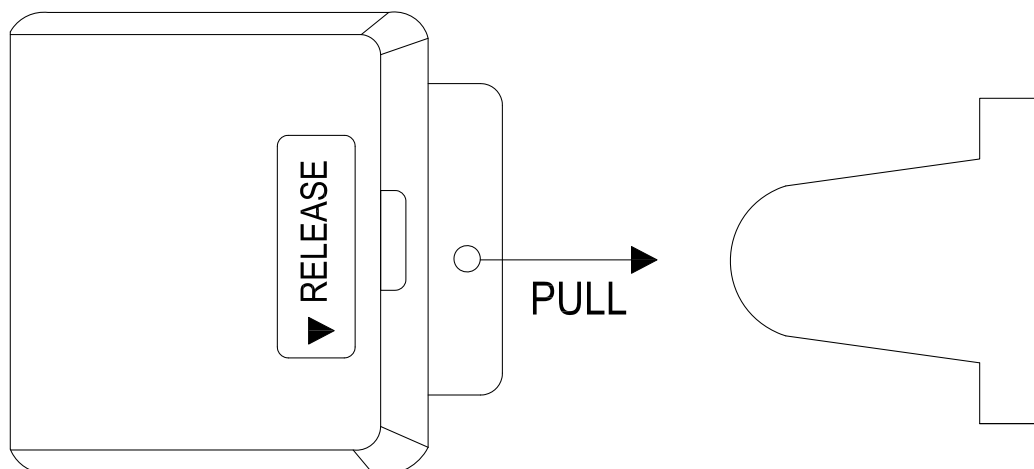


Fig. L

OPERATION AND FEATURES (Cont'd.)

If the remote control stops operating or its range seems reduced, replace the battery with a new one.

Replace with a CR2025 battery and follow the diagram at the back of the remote handset to install the new battery. See Fig. M.

1. The battery compartment is located on the back end of the remote.
2. Press and slide the battery door open and remove the old battery.
3. Insert a CR2025 battery, checking that the “+” and “-” terminals of the battery match the inside of the battery compartment.
4. Replace the battery compartment door.

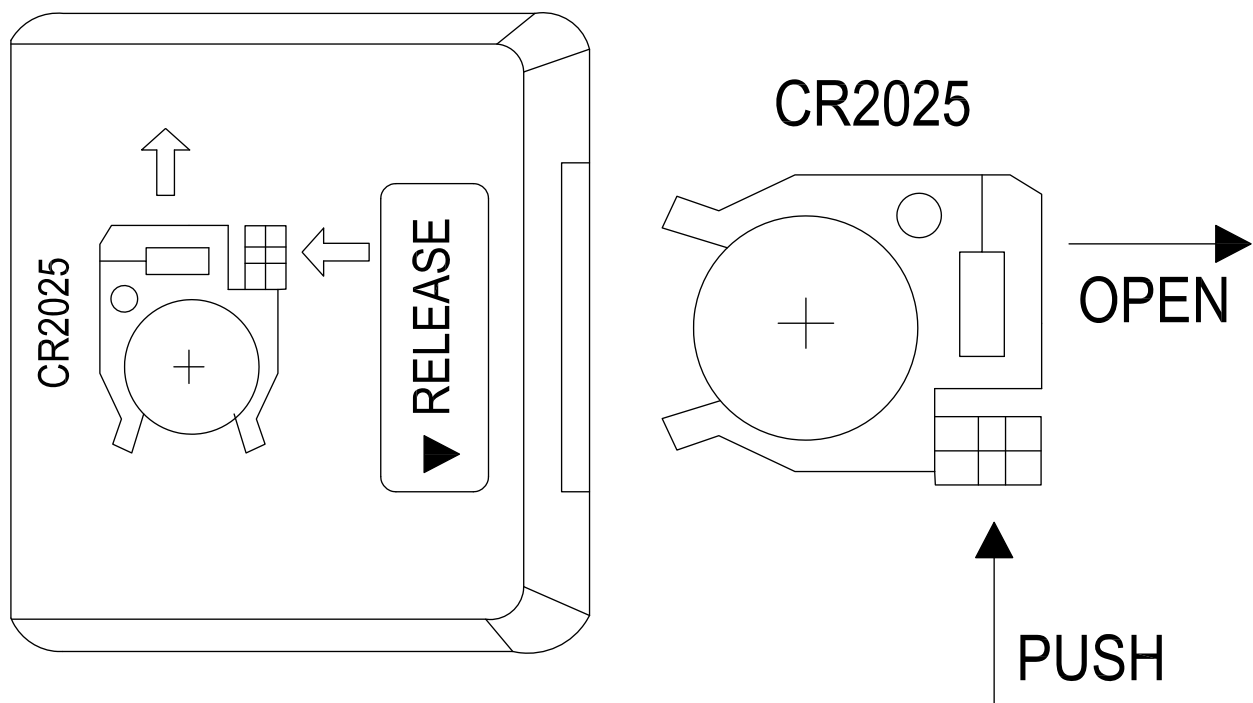


Fig. M

CARE AND MAINTENANCE

WARNING

Disconnect power before attempting any maintenance or cleaning to reduce the risk of fire, electric shock, injury or death.

CLEANING

Before cleaning the unit, first turn off the O/I switch and unplug the unit from the power source.

- Dust the fireplace using a clean dry cloth.
- Use warm water and a clean cloth to wipe off any painted surfaces. Do not use abrasive cleaners.
- Use a standard glass cleaner for the glass panel of the fireplace.

CAUTION

When transporting or storing the unit and cord, keep in a dry place free from excessive vibration, and store carefully to avoid damage.

Light Emitting Diode

This firebox is fitted with LED (Light Emitting Diode) bulbs in place of conventional bulbs. These generate the same light levels as conventional bulbs, but use a fraction of the energy. These LED bulbs are maintenance free and should not require replacing during the life of the product.



WARRANTY

Limited Warranty

Real Flame® warrants that the following components of this Real Flame® fireplace ("the Product") will be free from manufacturing defects in material and workmanship after correct assembly and under normal use and proper maintenance for the periods indicated below, commencing with the date of purchase of the Product:

- The body - 1 year limited warranty.
- The internal components - 1 year limited warranty.

This non-transferable warranty extends to the original purchaser only, provided that the purchase was made through an authorized Real Flame dealer. The warranty is also subject to the following conditions and limitations:

This warranty does not extend to damages caused by shipping, improper assembly, installation or storage, installation that does not comply with building codes and ordinances, installation or operation not in accordance with the included manual, abuse, lack of maintenance, hostile environments, accident, natural weather, or unworkmanlike repairs. Modification of the Product, use of fuels other than what is approved by Real Flame, or use of parts installed from other manufactures will nullify this warranty.

This warranty applies to the functionality of the Product only and does not cover cosmetic issues such as scratches, dents, rust, oxidation, corrosion, areas discolored or cracked due to prolonged exposure to extreme heat, or damage caused by abrasive or chemical cleaners. However, should deterioration of parts occur to the degree of non-performance within the duration of the warranty period, Real Flame will provide a replacement part.

Real Flame requires reasonable proof of your date of purchase. Therefore, you should retain your sales receipt and/or invoice. Defective parts subject to this warranty will not be replaced without proof of purchase.

Real Flame must have the opportunity to verify the alleged defect. In order for any internal components to be covered under warranty, Real Flame requires the user to troubleshoot with a Real Flame Customer Service member to ensure proper operation and diagnosis of issue.

In the event of covered defects in warranted items, Real Flame will, at its sole option and discretion, replace the defective component, replace the Product or refund the purchase price. Real Flame is not responsible for the installation, labor or any other costs associated with the reinstallation. The foregoing is the exclusive remedy under the terms of this limited warranty. Real Flame will not be responsible for any incidental or consequential damages caused by defects in the Product. Some states do not allow the exclusion or limitation of incidental or consequential damages, so the above limitation or exclusion may not apply to you.

This limited warranty is the sole express warranty given by Real Flame. The duration of any implied warranty arising under the laws of any state, including implied warranty of merchantability or fitness for a particular purpose or use, is limited to the duration of the warranty specified above. Some states do not allow limitations on how long an implied warranty lasts, so this limitation may not apply to you.

This warranty gives you specific legal rights, and you may also have other rights which vary from State to State.

For warranty service:

1. Call Real Flame Customer Service at 1-800-654-1704 for technical support and troubleshooting.
2. If experiencing issues with finish, please fill out the 'Outdoor Warranty Claim' form at www.realflame.com.

RETURN POLICY

Return Policy

You may return your purchase within 90 days of receipt. No refunds will be issued for incomplete or unauthorized returns. All returned products must be 100% complete, adequately packaged in original packaging and in resalable condition. Products that have been assembled or modified will not be eligible for return. All items must be returned in their entirety, meaning all items included must be returned together. No returns or exchanges on discontinued items. Please begin the return process by contacting the store or company where you bought your Real Flame® item.

Replacement Parts

In the event that an item has been lost or damaged, either by the manufacturer or in shipping, you may request a replacement. Replacement parts are not available for all units and only given at Real Flame's discretion. We will assess any damage and find a solution, which could include shipping you a replacement. No replacements are available for discontinued items or repackaged (open box) products. Please call Real Flame Customer Service at 1-800-654-1704 for replacement parts before returning the damaged item. Please have the following information (which can be found in your instruction manual) ready before you call Customer Service:

- Model number of item
- 4-8 digit part number
- Lot code number
- Shipping address
- A picture of the damaged item may be requested. Pictures should be sent to custserv@realflame.com.

Incorrect Order Received

If you received something other than what you ordered, please contact Real Flame Customer Service at 1-800-654-1704 within 48 hours of receiving the item.

Refer to www.realflame.com for our complete return guidelines and policies.

Please register your fireplace for recall notifications, proof of ownership and quality assurance at <https://www.realflame.com/registration>.

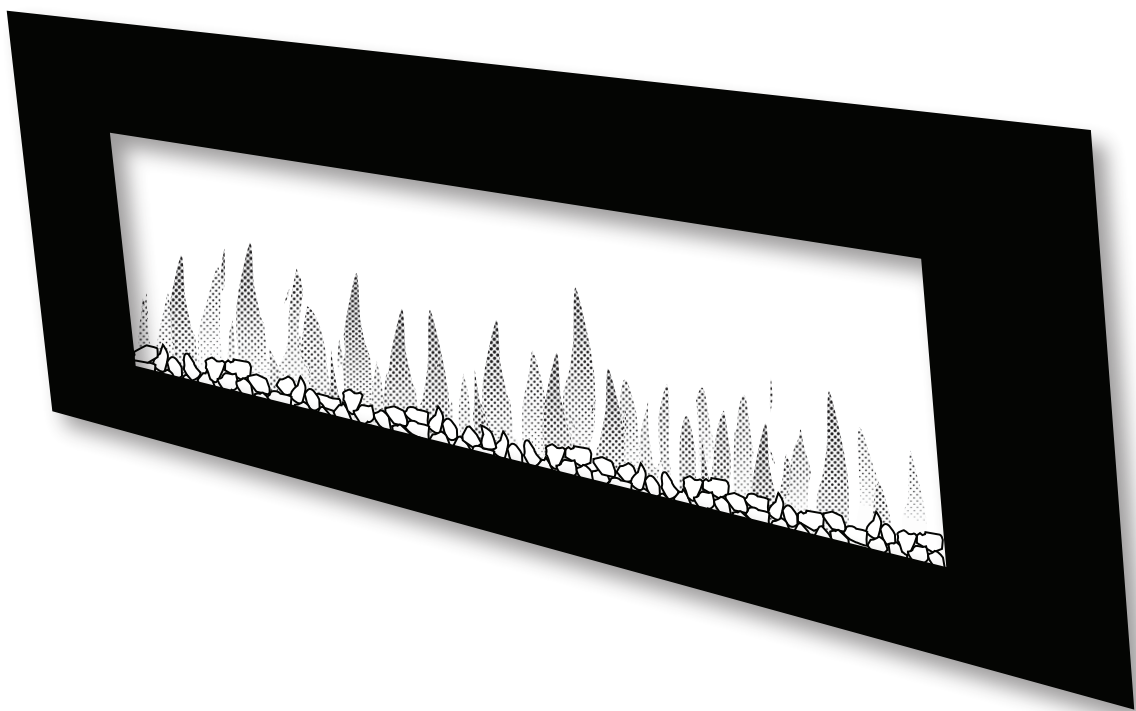
Real Flame®
7800 Northwestern Ave.
Racine, WI 53406
USA

Customer Service: 1-800-654-1704 in USA
Service à la clientèle: 1-800-363-6443 in Canada
custserv@realflame.com



PO: _____

Lot: _____



**Cheminée à fixation murale
Corretto 72 pounces
Modèle n° 1360E**

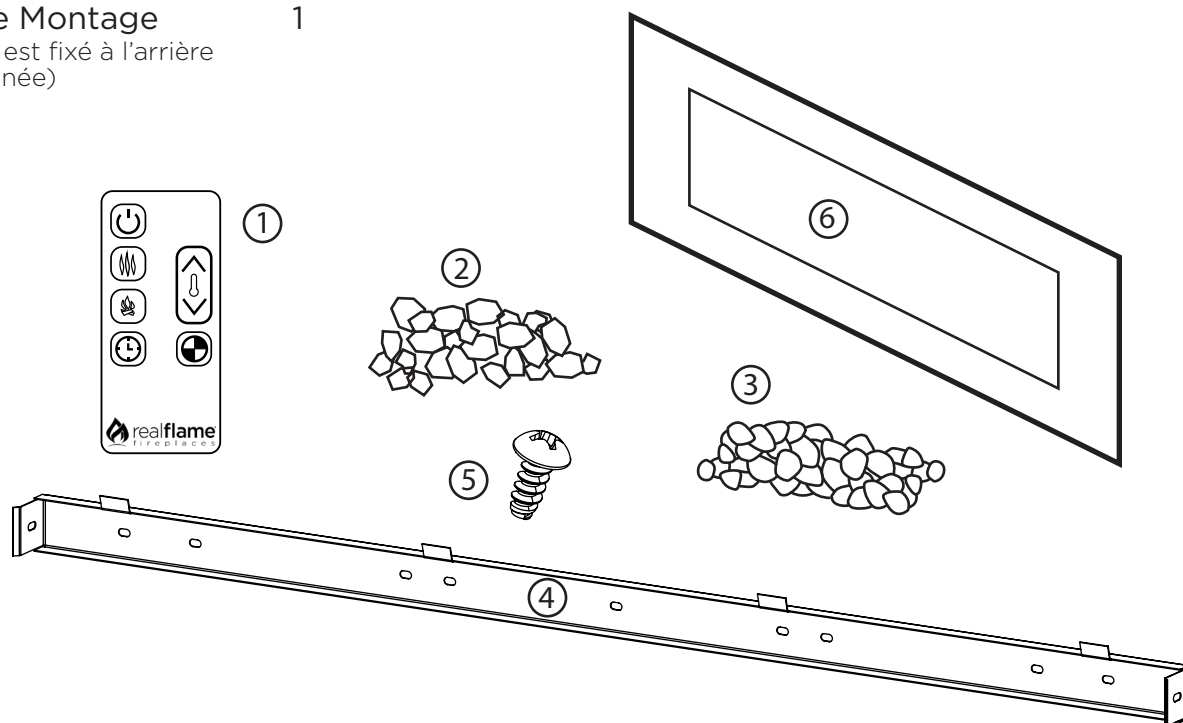
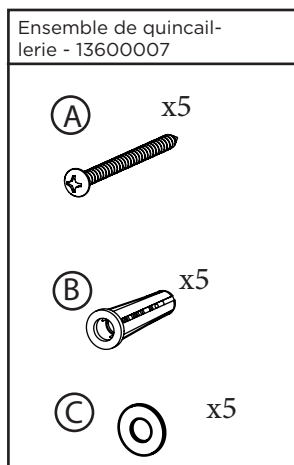
English • Français • Español

TABLE DES MATIÈRES

Liste des pièces	19
Importantes instructions de sécurité	20
Sélection et préparation du site	22
Installation	23
Utilisation et fonctionnalités	29
Nettoyage et entretien	32
Garantie	33
Politiques de retour	34
Enregistrement de propriété	53

LISTE DES PIÈCES

Nu.	Description	Cdt.	Nu.	Description	Cdt.
①	Télécommande 13400001	1	⑤	Vis de Montage (Remarque: est fixé à l'arrière de la cheminée)	15
②	Verre Broyé 13300004	2 boîtes	⑥	Panneau avant en verre 13600106	1
③	Remplisseur de Pierre 13400003	2 boîtes			
④	Support de Montage (Remarque: est fixé à l'arrière de la cheminée) 13600004	1			



REMARQUE Outils nécessaires : niveau à bulle, perceuse électrique, trépan [8 mm (5/16 po)], tournevis Phillips, marteau, lunettes et gants de protection.

IMPORTANTES INSTRUCTIONS DE SÉCURITÉ

AVIS IMPORTANT Veuillez conserver ce guide d'utilisation pour référence ultérieure.

Lors de l'utilisation d'appareils électriques, vous devez toujours faire preuve de prudence en suivant toutes les instructions afin d'éviter les risques d'incendie, les décharges électriques et les blessures:

1. Lire toutes les instructions avant d'utiliser cet appareil.
2. L'appareil de chauffage devient chaud à l'usage. Pour éviter des brûlures, ne pas laisser la peau nue en contact avec les surfaces chaudes. La moulure entourant l'appareil de chauffage devient chaude lors de l'usage. **Tenir les matériaux combustibles tels que les meubles, les coussins, la literie, les papiers, les vêtements et les rideaux à au moins 3 pieds (0,9 m) du devant, côtés et arrière de l'appareil.**
3. Des précautions importantes doivent être prises lorsqu'un appareil de chauffage est utilisé par ou près d'enfants, de personnes à mobilité réduite, et est en usage sans supervision.
4. Toujours débrancher l'appareil de chauffage lorsqu'il n'est pas en usage.
5. Ne jamais utiliser l'appareil si le cordon d'alimentation ou la fiche de branchement sont endommagés; ou encore si l'appareil de chauffage ne fonctionne pas bien, s'il est tombé de haut ou a été endommagé de quelques manières. Apporter l'appareil à un service d'entretien autorisé pour un examen et une mise au point électrique ou mécanique ou une réparation complète.
6. N'est pas conçu pour un usage à l'extérieur.
7. Cet appareil de chauffage électrique n'est pas conçu pour être utilisé dans une salle de bain, une salle de lavage ou toute autre pièce intérieure similaire. Éviter de mettre l'appareil dans un endroit où il pourrait tomber dans une baignoire ou un contenant rempli d'eau.
8. Ne pas placer les cordons électriques sous un tapis, meubles ou appareils. Ne pas recouvrir les cordons électriques avec une carpe ou un tapis de couloir. Disposer les cordons électriques en dehors des lieux de passages fréquents afin de ne pas les abîmer.
9. Pour débrancher l'appareil, mettre le foyer hors tension, et débrancher ensuite de la prise de courant.
10. Connecter uniquement à des prises de courant correctement mise à la terre.
11. Ne pas laisser des objets étrangers entrer dans le système de ventilation ou la bouche d'évacuation; cela pourrait occasionner une décharge électrique, un incendie ou endommager l'appareil de chauffage.
12. Pour prévenir les risques d'incendie, ne pas obstruer l'entrée ou la sortie d'air de quelques manières. Ne pas utiliser sur une surface souple telle qu'un lit, qui pourrait obstruer les ouvertures.
13. Tous les appareils de chauffage électriques possèdent des parties chaudes, des arcs électriques ou des étincelles à l'intérieur de leur composante. Ne pas utiliser dans des endroits où on trouve de l'essence, de la peinture et où des liquides inflammables sont utilisés ou entreposés, et où l'appareil serait exposé à des vapeurs inflammables.
14. Ne pas modifier l'appareil de chauffage électrique. Utiliser selon l'usage décrit dans le manuel. Toute autre utilisation non recommandée par le fabricant peut occasionner des incendies, des décharges électriques, des blessures et même la mort.
15. Ne pas brûler du bois ou tout autre produit dans l'appareil de chauffage électrique.
16. Ne pas frapper sur le panneau de verre.
17. Toujours faire appel à un électricien agréé pour l'installation de nouveaux circuits ou de nouveaux branchements électriques.

Information concernant le verre

1. Ce produit ne devrait jamais être utilisé avec un panneau de verre brisé ou fen dillé.
2. Ne pas frapper ou donner des coups sur le verre.
3. Ne pas utiliser des nettoyants abrasifs pour nettoyer le verre.
4. Ce produit est composé de verre trempé.

IMPORTANTES INSTRUCTIONS DE SÉCURITÉ

GARDER CES INSTRUCTIONS EN RÉSERVE



AVERTISSEMENT



- Risque de décharge électrique.
- Ne pas ouvrir.
- Aucune pièce utilisable à l'intérieur.

DESCRIPTION DES AVERTISSEMENTS



REMARQUE

Procédures et techniques qui sont considérées assez importantes pour être signalées.



ATTENTION

Procédures et techniques, lesquelles, si elles ne sont pas suivies correctement, occasionneront un dommage à l'équipement.



AVERTISSEMENT

Procédures et techniques, lesquelles, si elles ne sont pas suivies correctement, exposeront l'utilisateur à un risque d'incendie, de blessures sérieuses ou à la mort.

REMARQUE Requiert un circuit de 15 ampères, 120 volts. Un circuit exclusif est préférable, mais pas toujours essentiel. Un circuit exclusif sera requis si, après l'installation, le disjoncteur se déclenche ou si les fusibles grillent à répétition lorsque l'appareil de chauffage est en usage. Plusieurs appareils sur un même circuit peuvent conduire à une surcharge du disjoncteur.

REMARQUE Cet appareil a été testé et trouvé conforme aux normes des dispositifs numériques de classe B, en vertu de la Partie 15 des règlements du FCC. Ces normes ont pour but d'offrir une protection raisonnable contre des interférences nuisibles dans une installation résidentielle. Cet appareil génère, utilise et peut rayonner de l'énergie en radiofréquence et, s'il n'est pas installé et utilisé selon les instructions, peut occasionner des interférences nuisibles à la réception radio et télévisuelle, lesquelles deviennent manifestes en éteignant et allumant l'équipement. L'utilisateur peut essayer de corriger l'interférence par une ou l'autre des mesures suivantes :

- Réorienter ou déplacer l'antenne de réception.
- Accroître la distance entre l'équipement et le récepteur.
- Brancher l'appareil dans une prise avec un circuit électrique différent de celui où le récepteur est branché.
- Consulter le détaillant ou un technicien expérimenté en radio/TV afin d'obtenir de l'aide.

Le fonctionnement est assujéti aux deux conditions suivantes :

- (1) Ce dispositif n'occasionnera pas d'interférence nuisible, et
- (2) Ce dispositif doit accepter toute interférence reçue, incluant des interférences qui peuvent occasionner des fonctionnements non désirés.

Pour toutes questions sur nos produits, veuillez contacter le service à clientèle de Real Flame au 1 800 654-1704.

SÉLECTION ET PRÉPARATION DU LIEU CHOISI



AVERTISSEMENT

Vous assurer que le cordon d'alimentation est installé de façon à ce qu'il ne soit pas coincé ou mis sur un rebord tranchant, et vous assurer qu'il est mis à un endroit qui soit bien protégé pour éviter que l'on trébuche ou qu'il nuise à une bonne circulation afin de réduire le risque d'incendie, de décharge électrique ou de blessures.

Les constructions et le câblage des prises de courant doivent respecter les codes de bâtiment en vigueur dans votre région ainsi que tous les règlements applicables pour réduire le risque d'incendie, de décharge électrique ou de blessures.

Ne pas tenter de faire le câblage de votre circuit électrique vous-même. Afin de réduire le risque d'incendie, de décharge électrique et de blessures, toujours faire appel à un électricien agréé.

Voir la figure 1 pour l'instruction de mise à la terre. Vous devez utiliser cet appareil de chauffage sur un circuit de 120 volts. Le cordon d'alimentation possède une fiche comme il est illustré en « A » de la figure 1. Un adaptateur tel qu'illustré à la figure « C » est disponible pour brancher une fiche à trois broches avec mise à la terre dans une prise à deux fentes. La patte verte de mise à la terre sortant de l'adaptateur doit être branchée à une mise à la terre permanente telle qu'une boîte à prises correctement mise à la masse. L'adaptateur ne devrait pas être utilisé si une prise à trois fentes mise à la terre est disponible.

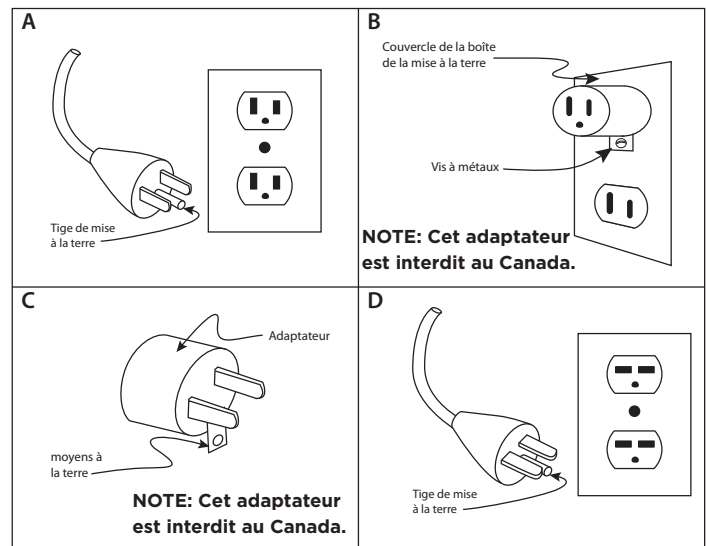


Fig. 1

Réinitialisation Manuelle

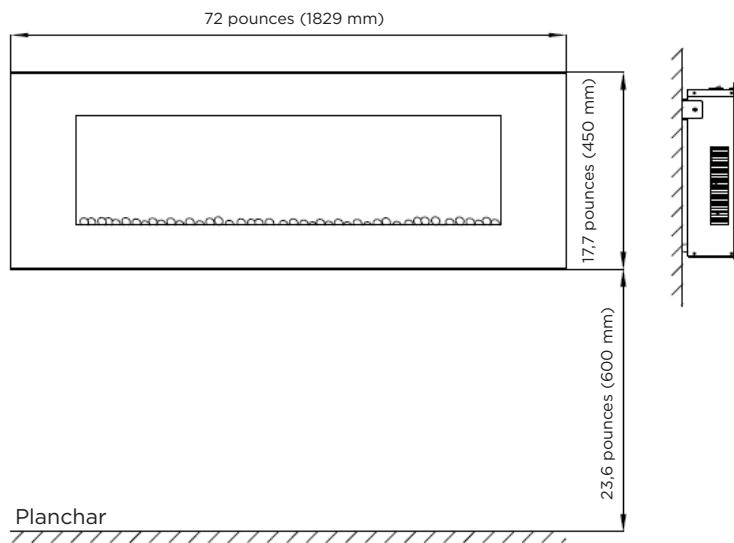
Pour réinitialiser manuellement la chambre de combustion, débranchez le cordon d'alimentation, attendez 15 secondes et rebranchez la prise murale.

INSTALLATION

⚡ AVERTISSEMENT Cet appareil est conçu pour être fixé à un mur à une hauteur minimale de 12 pouces (300 mm) tout en vous assurant que la distance minimale entre la partie supérieure du dispositif de chauffage et le plafond soit de 39 pouces (1 000 mm). Assurez-vous que le support mural soit correctement fixé à l'horizontale avec le cordon acheminé vers la partie inférieure droite de la cheminée.

REMARQUE Il est recommandé de prévoir une distance de 23,62 pouces (600 mm) entre la base de la cheminée et le plancher pour une vue optimale de la cheminée.

REMARQUE Deux personnes sont requises pour l'installation de l'appareil.



Étape 1 : Placez la cheminée sur une surface rembourrée. Desserrez les 4 vis de montage situées dans la partie supérieure et les 2 vis de montage situées de chaque côté de la cheminée (voir Fig. A). Fixez ces vis sur les côtés.

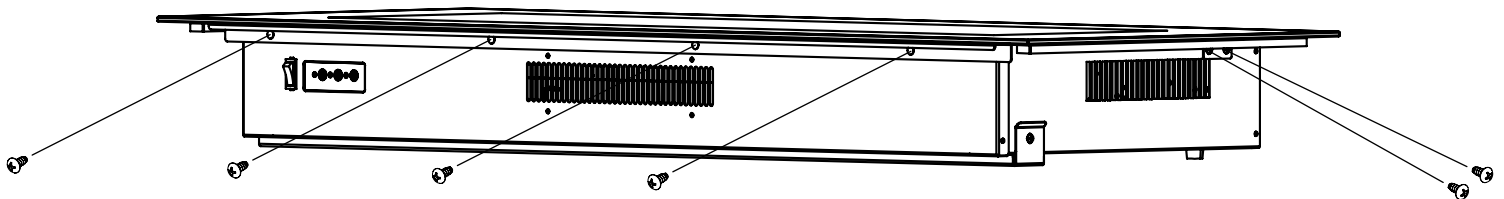


Fig. A

INSTALLATION (suite)

Étape 2 : Ôtez la vitre avant, comme le montre la Fig. B. Manipulez-la avec précaution.

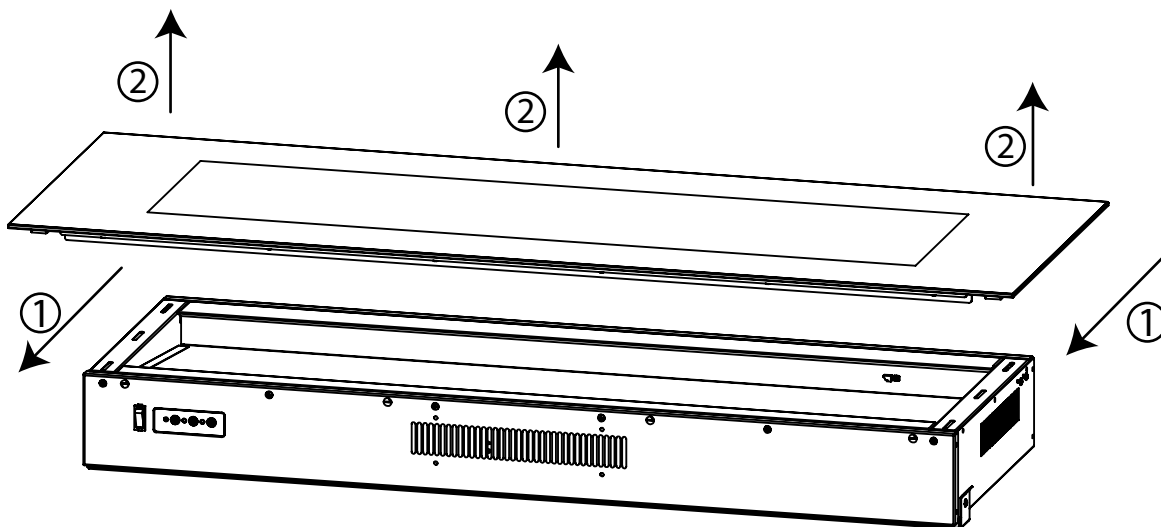


Fig. B

Étape 3 : Le support de montage est fixé à l'arrière de la cheminée. Desserrez 2 vis et démontez le support. Voir Fig. C.

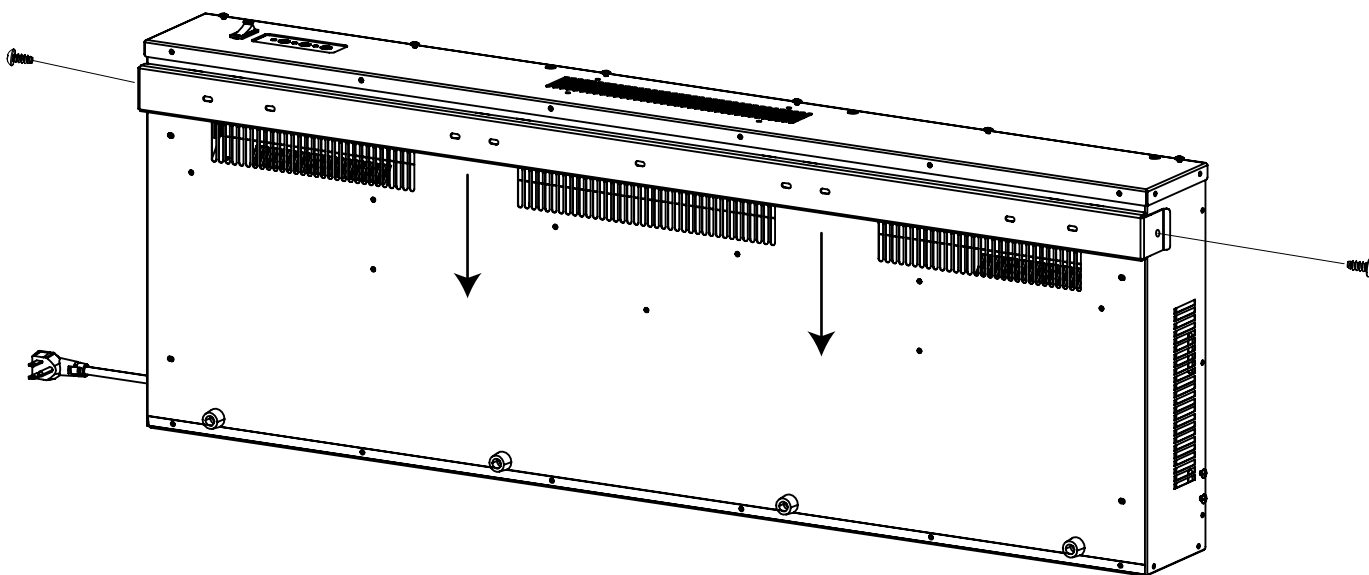
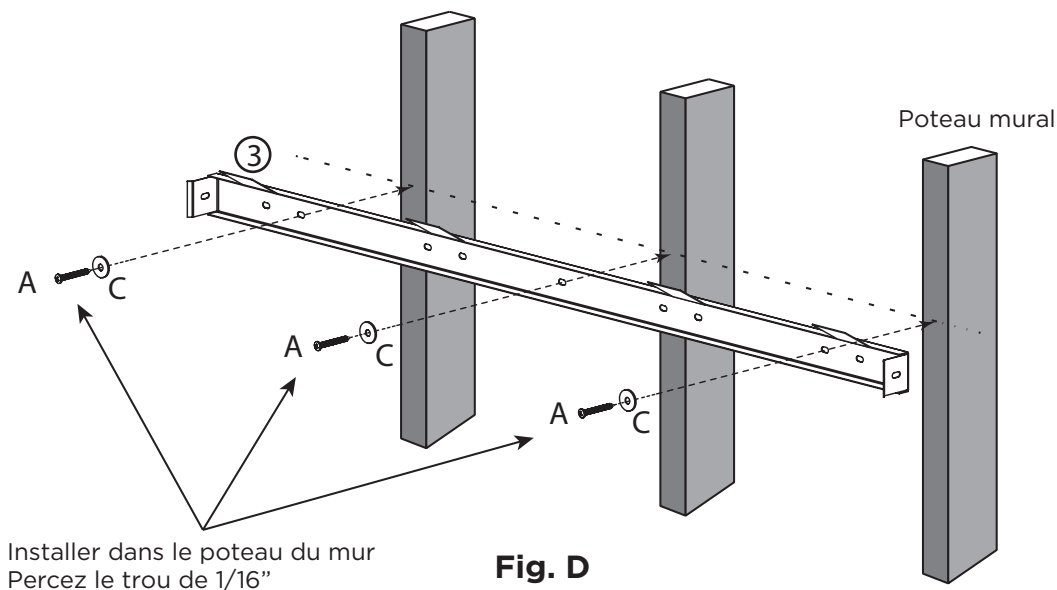


Fig. C

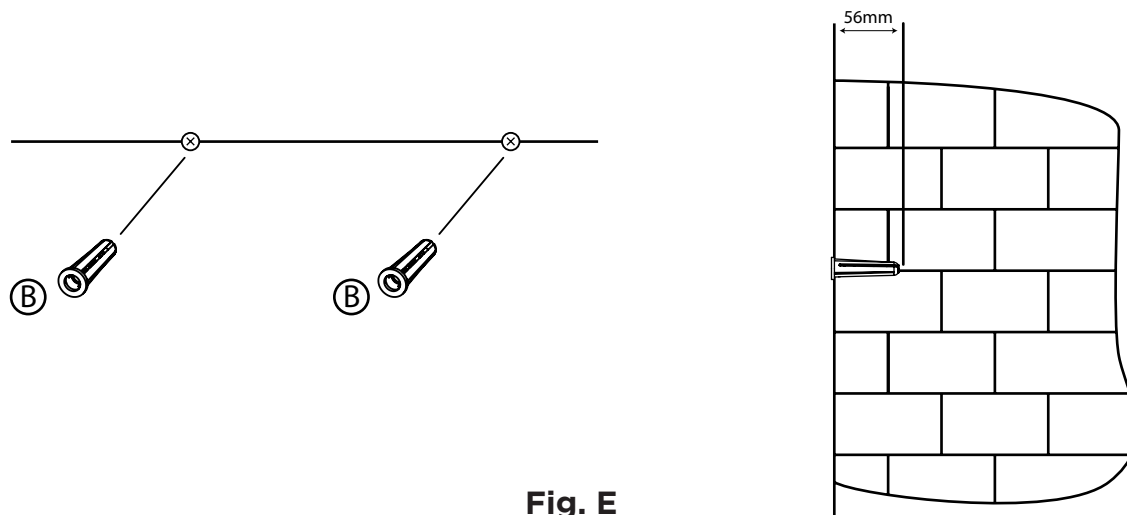
INSTALLATION (suite)

Étape 4 : Fig. D

- Localisez 1 goujon où le foyer sera monté.
- Après le diagramme de hauteur sur la Page 6, marquez l'emplacement sur un goujon et percez un trou pilote de 1/16" pour le montage d'un support à un poteau mural. Un goujon est exigé pour monter en toute sécurité ce support à l'aide de l'un des 2 trous au centre du support de fixation (3).
- Fixez le support de montage au mur à l'aide de 1 vis.
- Nivelez le support et marquez les 3 emplacements de trou restants.
- Re-nivelez le support et installez 3 vis pour terminer le montage du support (3).



Étape 5 : Percez trous de 5/16 pouces (8 mm) de diamètre et 2,2 pouces (56 mm) de profondeur sur les emplacements marqués. Pour les trous résistant aux clous/vis, utilisez les boulons d'ancrage fournis. Positionnez les boulons d'ancrage dans les trous et frappez-les doucement à l'aide d'un marteau pour les fixer correctement, de sorte que la bride de boulon d'ancrage soit encastrée dans la surface murale. Voir Fig. E.



INSTALLATION (suite)

Étape 6 : Fixez le support de montage aux boulons d'ancrage à l'aide des 4 vis de fixation, comme le montre la Fig. F.

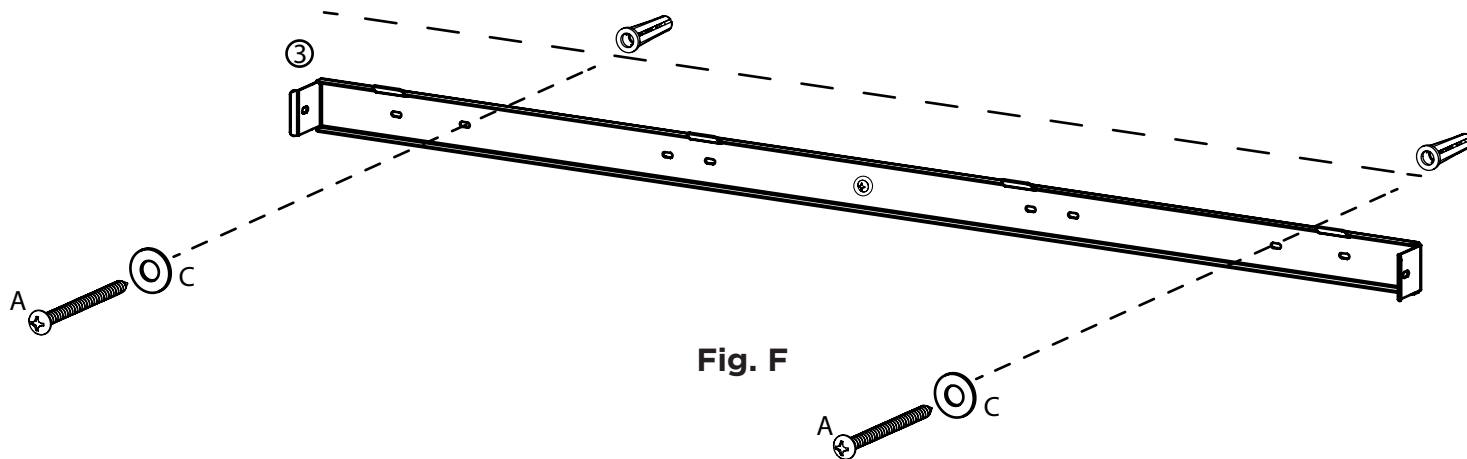


Fig. F

Étape 7 : Montez la cheminée sur le mur à l'aide des fentes du support métallique situé à l'arrière de la cheminée. Voir Fig. G. Assurez-vous que le support de montage soit complètement enclenché dans le support métallique situé à l'arrière de la cheminée.

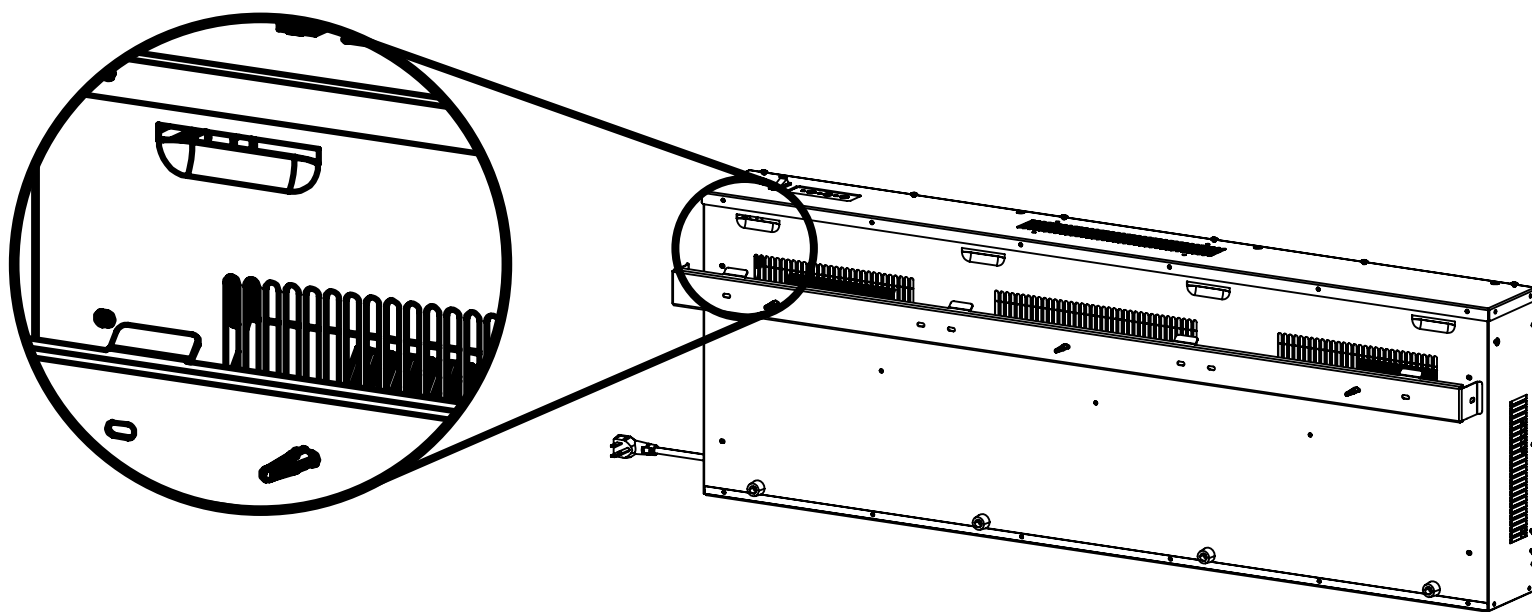


Fig. G

INSTALLATION (suite)

Étape 8 : Fixez le support de montage à la cheminée à l'aide de 2 vis de montage. Voir Fig. H.

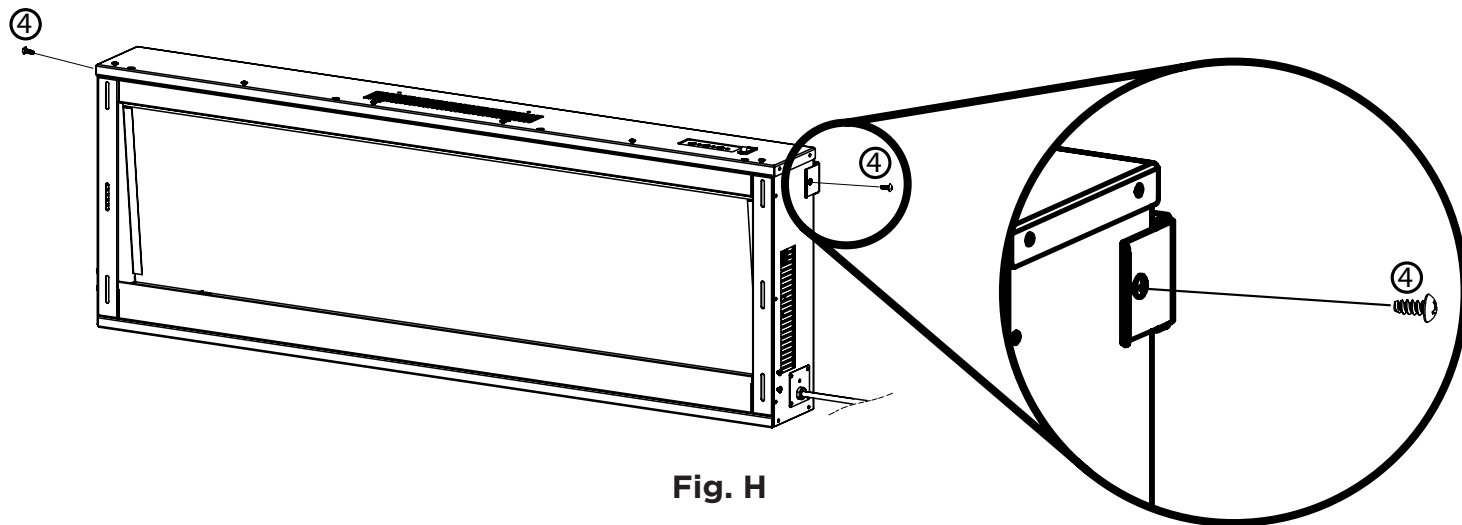


Fig. H

Étape 9 : Placez le verre broyé ou le remplisseur de pierre sur le panneau. Voir Fig. I.

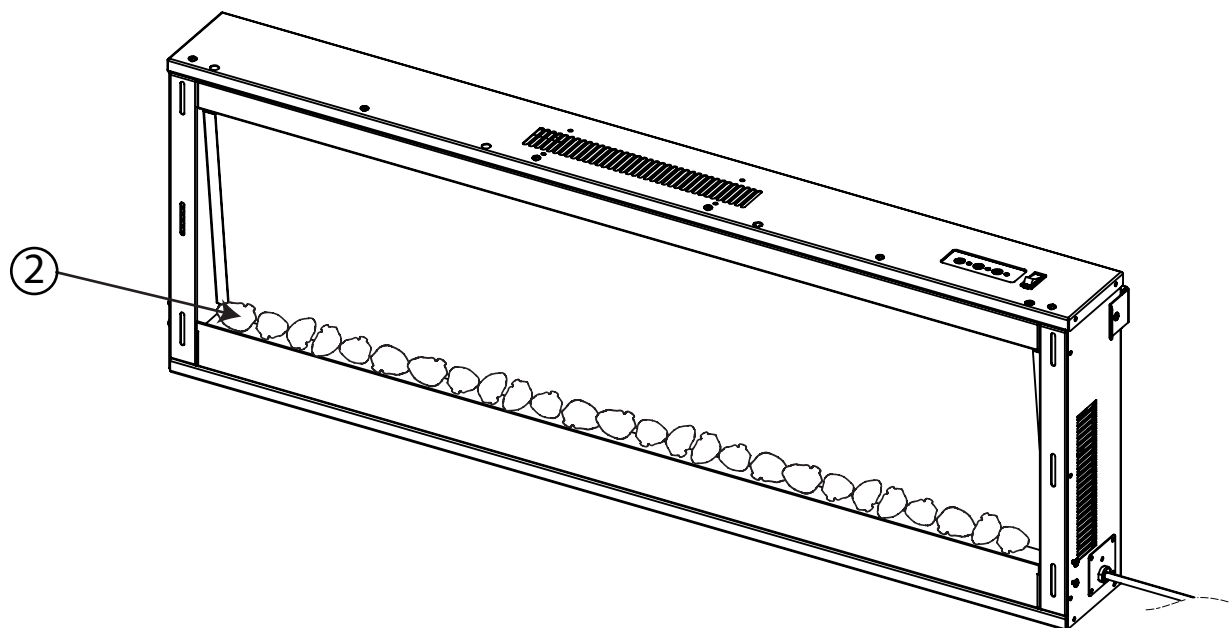


Fig. I

INSTALLATION (suite)

Étape 10 : Tenez correctement le couvercle avant et enclenchez-le avec les 6 fentes situées des deux côtés de la cheminée. Assurez-vous que le couvercle avant a été complètement inséré dans **TOUTES les 6 fentes** avant de le relâcher. Voir Fig. J.

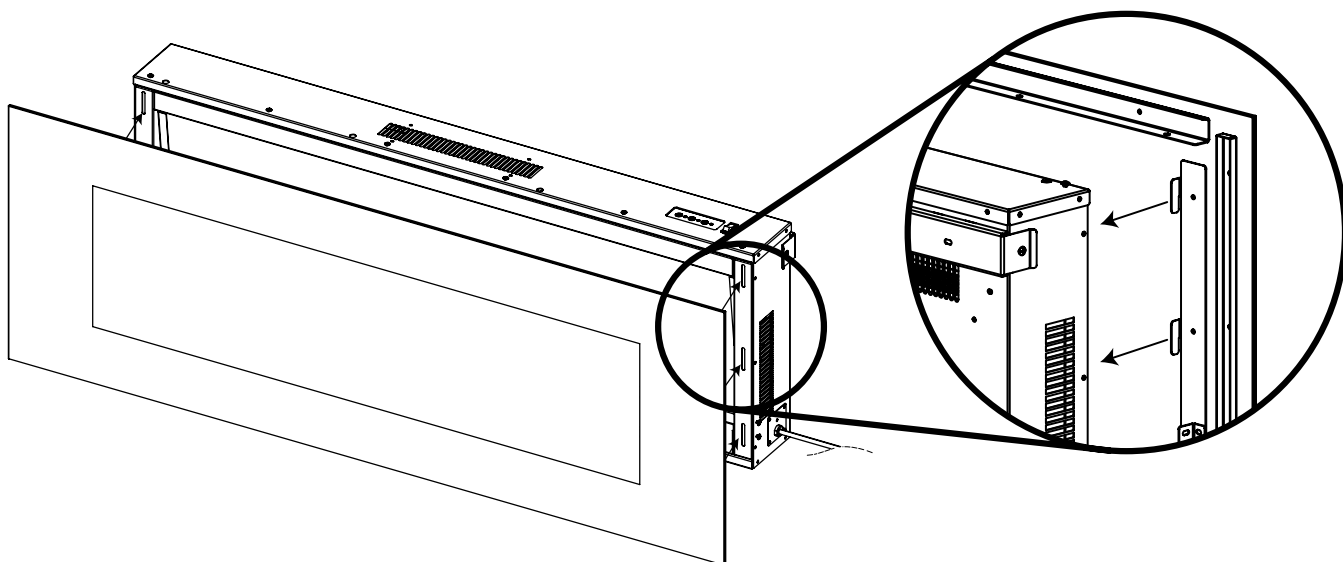


Fig. J

Étape 11 : Fixez le couvercle avant dans la partie supérieure et des deux côtés de la cheminée à l'aide de 8 vis de montage. Voir Fig. K.

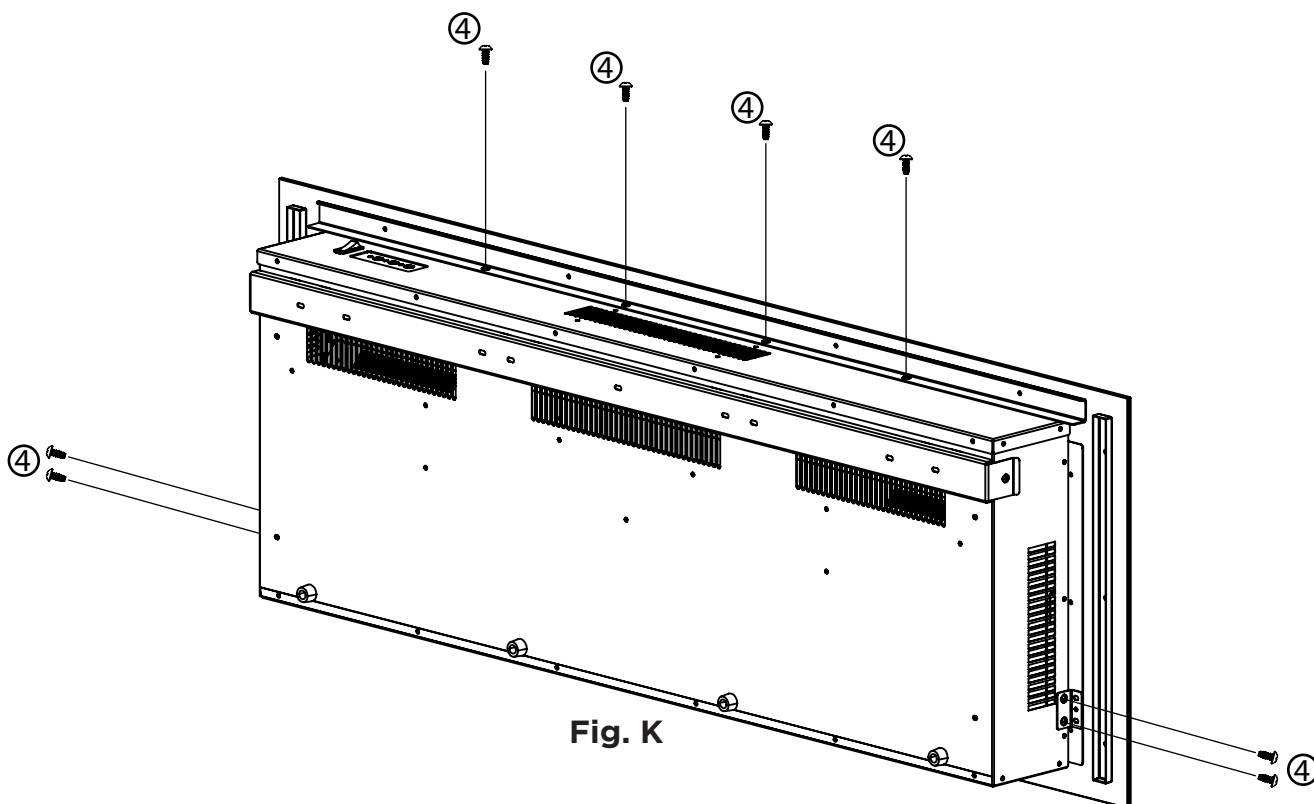


Fig. K

UTILISATION ET FONCTIONNALITÉS

UTILISATION DU PANNEAU DE COMMANDE

Après lecture de toutes les instructions, confirmez que toutes les commandes de la cheminée sont en position OFF (DÉSACTIVÉE). Branchez la cheminée à une prise 15 A/120 Volts. Le panneau de commande est situé dans la partie supérieure droite de la cheminée.

ALIMENTATION PRINCIPALE

Appuyez sur le bouton O/I pour l'alimentation principale.



Chauffe-eau

Change la chaleur de off à low ou high.

Couleur

Change la couleur des flammes avec six options.

TEMP.

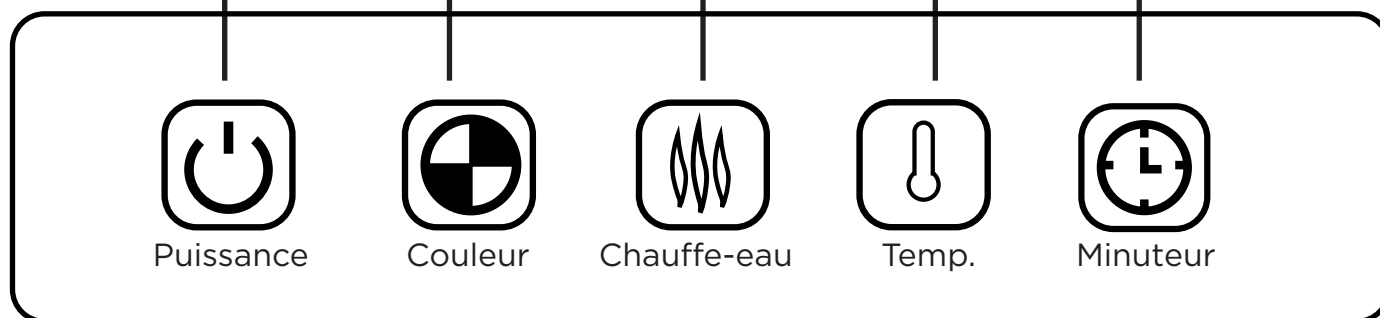
Modifie le réglage de la chaleur. Entre 62 et 82

Minuteur

Arrêt automatique entre 0-8 heures.

PUISSANCE

Allume et éteint l'unité.



REMARQUE : Lorsque l'interrupteur O/I est en position OFF (ARRÊT), toutes les autres fonctions de la cheminée sont à l'arrêt.

Remarque Lorsque l'appareil est en mode Veille, les braises ne s'éteignent pas immédiatement. C'est une fonctionnalité conçue pour représenter les braises du feu s'éteignant lentement.

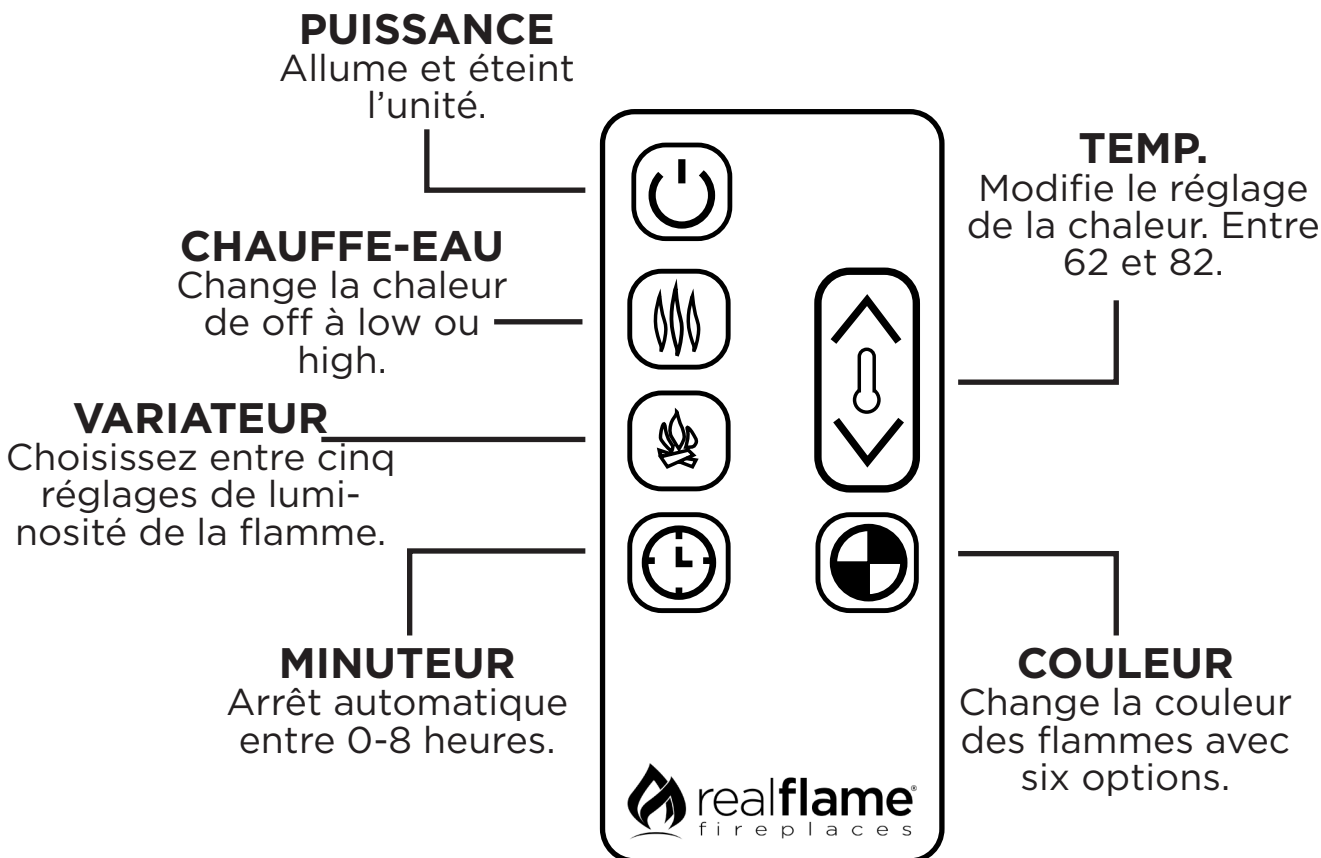
Remarque Même si le dispositif de chauffage est à l'arrêt, le ventilateur fonctionne toujours pour éviter toute surchauffe.

SPÉCIFICATIONS TECHNIQUES : Alimentation : 120 V-60 Hz, Puissance nominale : 1 400 W

UTILISATION ET FONCTIONNALITÉS (suite)

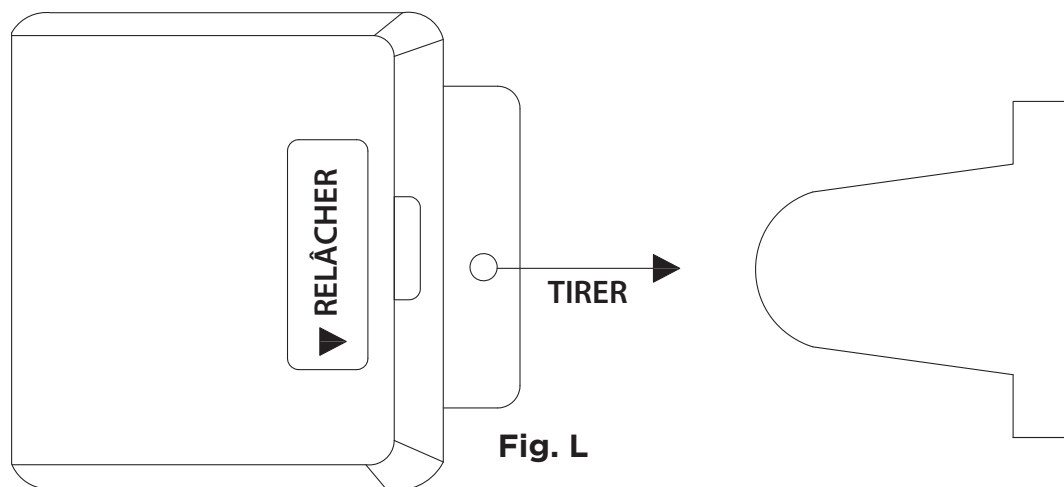
UTILISATION DE LA TÉLÉCOMMANDE

Pour toute utilisation de la télécommande, assurez-vous que le Power Switch (I/O) de la cheminée a été allumé.



REMPACEMENT DE LA PILE DE LA TÉLÉCOMMANDE

La télécommande nécessite une pile 3 V CR2025 au lithium de type bouton (fournie). Retirez la feuille de protection située entre la pile et les contacts pour l'utiliser. Voir Fig. L



UTILISATION ET FONCTIONNALITÉS (suite)

Si la télécommande ne fonctionne plus ou sa plage semble réduite, remplacez la pile en place par une nouvelle.

Remplacez l'ancienne pile par une pile CR2025 et suivez le schéma situé à l'arrière de la télécommande pour installer la nouvelle pile. Voir Fig. M.

1. La compartiment de pile est situé à l'extrémité arrière de la télécommande.
2. Appuyez sur et faites glisser le couvercle du compartiment de pile et retirez l'ancienne pile.
3. Insérez une pile CR2025, tout en vous assurant que la polarité des bornes « + » et « - » correspond à celle du compartiment de pile.
4. Remplacez le couvercle du compartiment de pile.

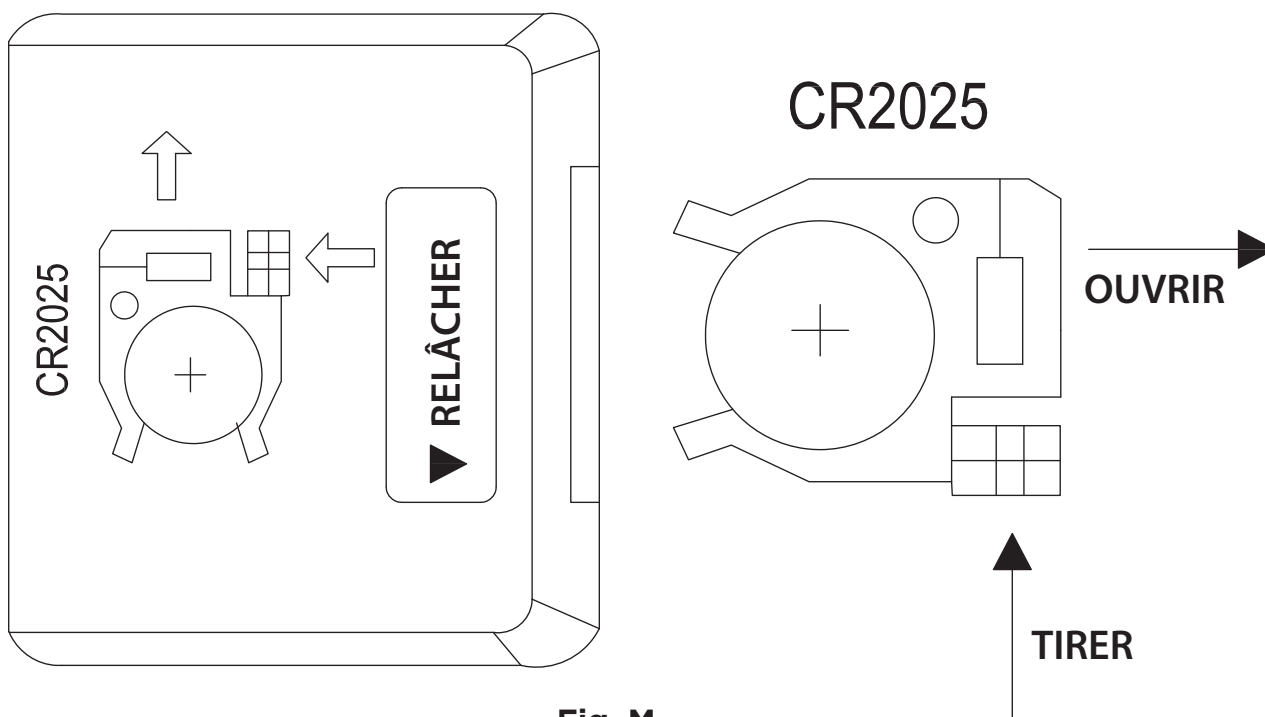


Fig. M

NETTOYAGE ET ENTRETIEN



AVERTISSEMENT

Débranchez l'appareil avant de procéder à toute opération d'entretien ou de nettoyage afin d'éviter tout risque d'incendie, de choc électrique, de blessure ou de décès.

NETTOYAGE Avant de nettoyer l'appareil, mettez d'abord l'interrupteur O/I en position OFF (ARRÊT) et débranchez l'appareil.

- Éliminez toute poussière de la cheminée à l'aide d'un chiffon sec.
- Utilisez de l'eau chaude et nettoyez-y le chiffon afin d'essuyer les surfaces peintes. N'utilisez des nettoyeurs abrasifs.
- Utilisez un nettoyant pour vitres standard pour la vitre du panneau de la cheminée.



MISE EN GARDE

Lors du transport ou de la conservation, rangez l'appareil et son cordon dans un endroit sec, exempt de toute vibration excessive de sorte à éviter tout dommage.

Diode électroluminescente

Ce foyer est doté d'ampoules à LED (Diode électroluminescente) en lieu et place d'ampoules classiques. Elles génèrent le même niveau de lumière que celui des ampoules classiques ; cependant, elles utilisent une fraction de l'énergie. Les ampoules à LED ne nécessitent pas d'entretien, encore moins un remplacement pendant la durée de vie de l'appareil.



GARANTIE

Garantie limitée

Real Flame® garantit que les composants suivants de ce foyer Real Flame® (« le Produit ») seront exempts de défauts de fabrication de matériaux et de main d'œuvre après un assemblage correct et dans des conditions normales d'utilisation et d'entretien pour les périodes indiquées ci-dessous, à compter de la date d'achat du Produit :

- Le corps - Garantie limitée de 1 an.
- Les composants internes - Garantie limitée de 1 an.

Cette garantie ne s'applique qu'à l'acheteur d'origine, à condition que l'achat ait été effectué auprès d'un revendeur agréé Real Flame. La garantie est également soumise aux conditions et limitations suivantes :

Cette garantie ne s'étend pas aux dommages causés par l'expédition, un assemblage, une installation ou un entreposage incorrects, une installation non conforme aux codes et normes du bâtiment, une installation ou un fonctionnement non conforme au manuel inclus, des abus, un manque d'entretien, des environnements hostiles, un accident, les intempéries ou les réparations impropres. La modification du produit, l'utilisation de carburants autres que ceux approuvés par Real Flame ou l'utilisation de pièces installées d'autres fabricants annulera cette garantie.

Cette garantie s'applique uniquement au fonctionnement du produit et ne couvre pas les problèmes cosmétiques tels que les rayures, les bosses, la rouille, l'oxydation, la corrosion ou la décoloration causées par la chaleur, zones décolorées ou fissurées en raison d'une exposition prolongée à une chaleur extrême, les nettoyants abrasifs et les nettoyants chimiques. Cependant, si une détérioration des pièces se produit au point de non-performance pendant la durée de la période de garantie, Real Flame fournira une pièce de rechange.

Real Flame nécessite une preuve raisonnable de votre date d'achat. Par conséquent, vous devez conserver votre reçu de caisse et / ou votre facture. Les pièces défectueuses soumises à cette garantie ne seront pas remplacées sans preuve d'achat.

Real Flame doit avoir la possibilité de vérifier le défaut allégué. Pour que tous les composants internes soient couverts par la garantie, Real Flame demande à l'utilisateur d'obtenir de l'aide auprès d'un membre du service client Real Flame pour assurer le bon fonctionnement et le diagnostic du problème.

En cas de défauts couverts d'articles garantis, Real Flame remplacera, à sa seule discrétion, remplacera le composant défectueux, le produit ou remboursera le prix d'achat. Real Flame n'est pas responsable de l'installation, de la main-d'œuvre ou de tout autre coût associé à la réinstallation. Ce qui précède est le recours exclusif aux termes de cette garantie limitée. Real Flame ne sera pas responsable des dommages accessoires ou indirects causés par des défauts dans le produit. Certains états n'autorisent pas l'exclusion ou la limitation des dommages accessoires ou indirects, de sorte que la limitation ou l'exclusion ci-dessus peut ne pas s'appliquer à vous.

Cette garantie limitée est la seule garantie expresse donnée par Real Flame. La durée de toute garantie implicite découlant des lois de tout État, y compris la garantie implicite de qualité marchande ou d'adéquation à un usage ou à un usage particulier, est limitée à la durée de la garantie spécifiée ci-dessus. Certains États n'autorisent pas les limitations de la durée d'une garantie implicite, il se peut donc que cette limitation ne s'applique pas à vous.

Cette garantie vous donne des droits légaux spécifiques, et vous pouvez également avoir d'autres droits qui varient d'un État à l'autre.

Pour le service de garantie :

1. Contacter le service à la clientèle Real Flame au 1-800-654-1704 pour le support technique et le dépannage.
2. Si vous rencontrez des problèmes avec la finition, veuillez remplir le formulaire « Réclamation de garantie extérieure » sur www.realflame.com.

POLITIQUES DE RETOUR

Politiques de retour

L'achat peut être retourné dans les 90 jours suivant la réception. Il n'y aura aucun remboursement pour de retours incomplets ou non autorisés. Tous les produits retournés doivent être à 100 % complets, emballé d'une manière adéquate, dans l'emballage original et dans une condition revendable. Les produits qui ont été assemblés ou modifiés ne seront pas admissibles au retour. Tous les éléments doivent être retournés dans leur intégralité, ce qui signifie que tous les éléments inclus doivent être retournés ensemble. Aucuns échanges ou retours pour les articles retirés. Commencer le processus de retour en contactant le magasin ou l'entreprise où l'article Real Flame® a été acheté.

Pièces de remplacement

Dans le cas où un article a été perdu ou détérioré, soit par le fabricant ou pendant le transport, une pièce de remplacement peut être demandée. Les pièces de remplacement ne sont pas disponibles pour tous les appareils et sont données à la discrétion de Real Flame. Nous évaluerons tout dommage et trouverons une solution, ce qui pourrait inclure la livraison du remplacement. On ne peut pas remplacer les articles retirés ou les produits remballés (emballage ouvert). Appeler le Service à la clientèle de Real Flame 800-654-1704 pour les pièces de remplacement avant de retourner l'article endommagé. Avoir les informations suivantes (qui se trouvent dans le manuel d'utilisation) avant d'appeler le Service à la clientèle :

- Numéro de modèle de l'article
- Numéro de référence de 4-8 chiffres
- Numéro de code de lot
- Adresse de livraison
- Une photo de l'article endommagé peut être demandée. Les photos doivent être envoyées à custserv@realflame.com

Commande incorrecte reçue

En cas de la réception de quelque chose d'autre que ce qui a été commandé, contacter le Service à la clientèle de Real Flame au 800-654-1704 dans un délai de 48 heures après avoir reçu l'article.

Consulter www.realflame.com pour nos directives et nos politiques de retour complètes.

Veillez enregistrer votre foyer pour recevoir les notifications de rappel, les preuves de propriété et l'assurance qualité à l'adresse <https://www.realflame.com/registration>.

Real Flame®
7800 Northwestern Ave.
Racine, WI 53406
USA

Customer Service: 1-800-654-1704 in USA
Service à la clientèle: 1-800-363-6443 in Canada
custserv@realflame.com

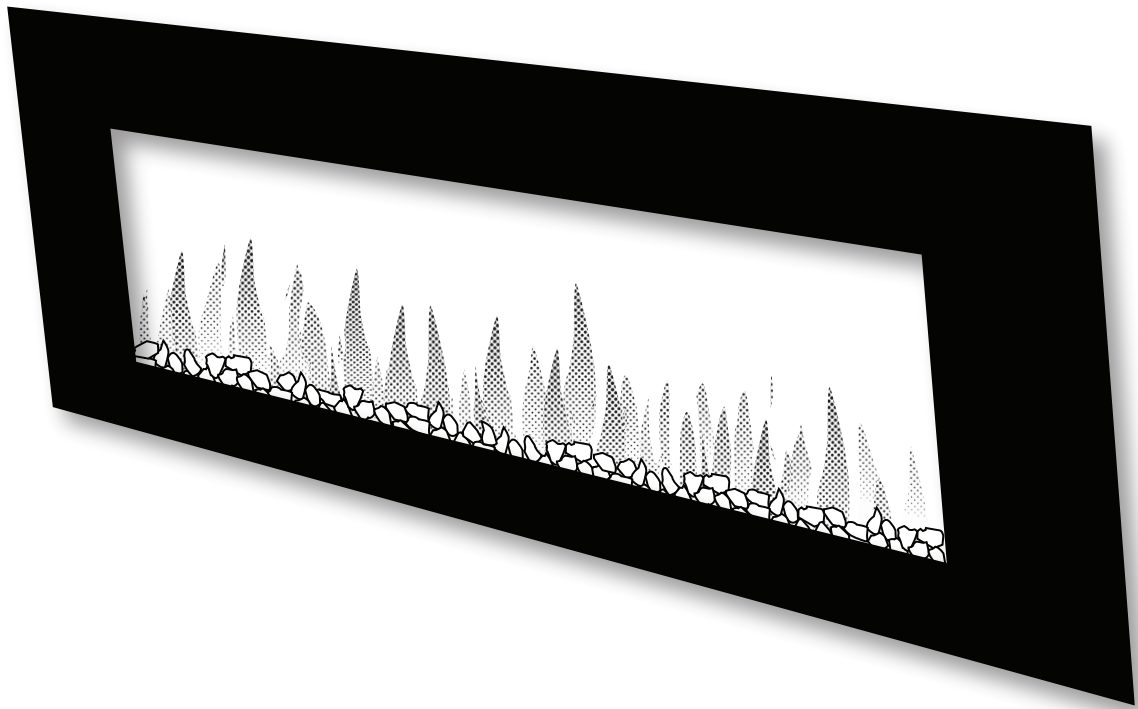


PO: _____

Lot: _____



realflame®



**Chimenea de pared Corretto
de 72 pulgadas**

No. de Modelo 1360E

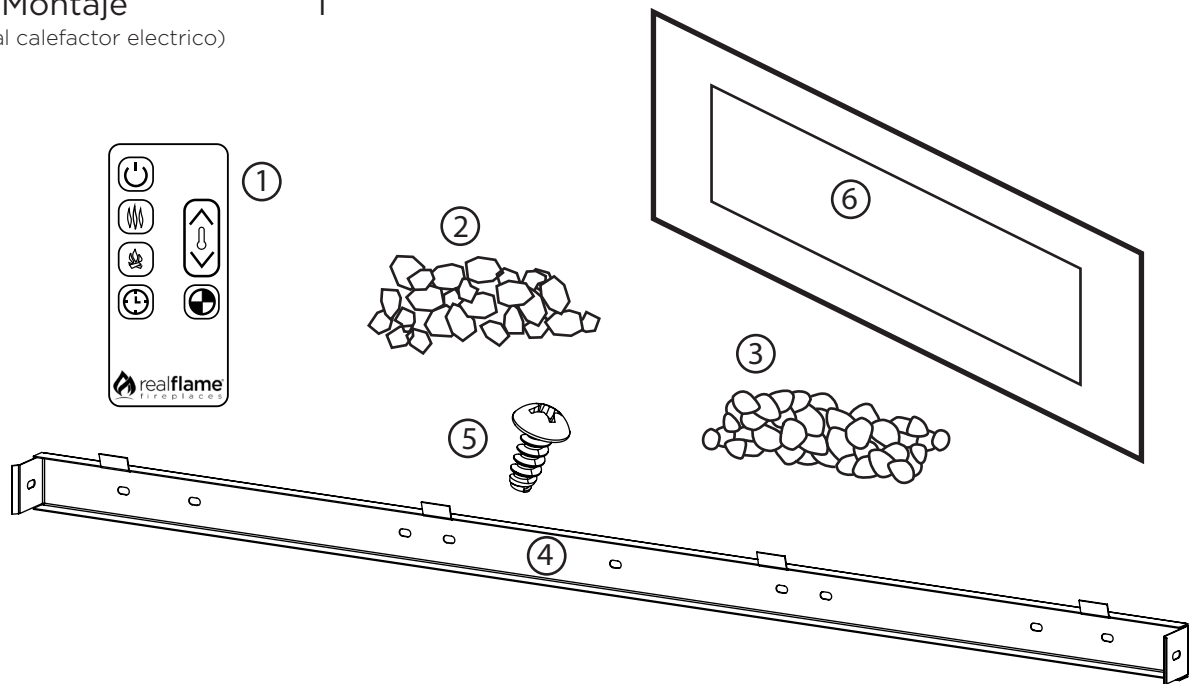
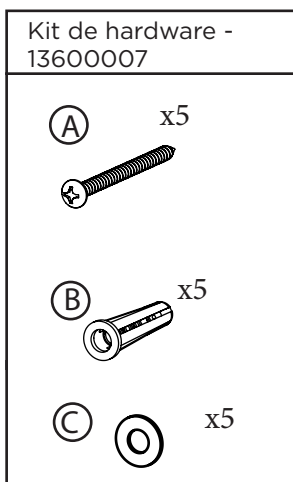
English • Français • Español

ÍNDICE

Lista de partes	36
Instrucciones importantes de seguridad	37
Selección y preparación del sitio	39
Instalación	40
Características y operación	46
Cuidado y mantenimiento	49
Garantía	50
Política de devolución	51
Registro de propietario	53

LISTA DE PARTES

Nú. Descripción	Cantidad	Nú. Descripción	Cantidad
① Control Remoto 13400001	1	⑤ Tornillos de Montaje (Nota: Adjunto al calefactor eléctrico)	15
② Vidrio Triturado 13300004	2 cajas	⑥ Panel frontal de cristal 13600106	1
③ Relleno de Piedra 13400003	2 cajas		
④ Soporte de Montaje (Nota: Adjunto al calefactor eléctrico) 13600004	1		



NOTA Herramientas que necesitará: nivel, taladro eléctrico, brocas [8 mm (5/16 pulgadas)], destornillador Phillips, martillo, gafas de seguridad y guantes.

INSTRUCCIONES IMPORTANTES DE SEGURIDAD

AVISO IMPORTANTE Conserve esta guía para el usuario para consultarla en el futuro.

Siempre que se utilicen equipos eléctricos, deben tomarse precauciones básicas para reducir el riesgo de incendio, choque eléctrico y lesiones físicas. Entre estas precauciones se incluyen las siguientes:

1. Lea todas las instrucciones antes de utilizar este aparato.
2. Durante el uso, el calefactor se calienta. Evite tocar las superficies calientes con la piel descubierta para evitar quemaduras. El reborde que rodea la salida del calefactor se calienta durante el funcionamiento. **Mantenga los materiales combustibles, como muebles, almohadones, ropa de cama, papeles, prendas de vestir y cortinas al menos a 3 pies (0,9 m) de distancia de las partes delantera, posterior y laterales de la unidad.**
3. Se debe actuar con máxima prudencia si el calefactor es utilizado por niños o personas con discapacidades, o cerca de ellos, y cada vez que se deje el equipo en funcionamiento y sin supervisión.
4. Desenchufe el calefactor eléctrico en todos los casos mientras no lo utilice.
5. No ponga en funcionamiento el equipo si posee roturas en el cable o el enchufe, si el calefactor ha estado funcionando mal o si se ha caído o roto de cualquier otra manera. Lleve el calefactor a un centro autorizado de servicio técnico para su revisión, reparación o la realización de ajustes eléctricos o mecánicos.
6. No lo utilice al aire libre.
7. Este calefactor no fue diseñado para su uso en baños, lavaderos ni habitaciones de características similares. Nunca coloque el calefactor en un lugar desde el que pueda caer dentro de una bañera o cualquier otro recipiente con agua.
8. No realice el tendido del cable por debajo de alfombras, muebles ni electrodomésticos. No cubra el cable con alfombrillas, tapetes o materiales similares. Coloque el cable alejado de áreas de alto tránsito, donde nadie se tropiece con él.
9. Para desconectar la unidad, apague el hogar y, a continuación, quite el enchufe del tomacorriente.
10. Conéctelo solamente a tomacorrientes con la conexión a tierra adecuada.
11. No introduzca ni permita la entrada de objetos extraños en las aberturas de ventilación o escape ya que podría ocasionar un choque eléctrico, incendio o la rotura del calefactor.
12. Para evitar un posible incendio, no obstruya la entrada ni la salida de aire de ninguna manera. No lo coloque sobre superficies blandas, como camas, ya que las aberturas podrían quedar obstruidas.
13. Todos los calefactores eléctricos poseen piezas calientes o que generan chispas o arcos eléctricos en su interior. No lo utilice en zonas en las que se empleen o guarden gasolina, pintura o líquidos inflamables, ni en lugares en los que la unidad esté expuesta a vapores inflamables.
14. No modifique el calefactor eléctrico. Utilícelo exclusivamente según se describe en este manual. Cualquier otro uso no recomendado por el fabricante puede provocar incendios, choques eléctricos, lesiones o la muerte.
15. No queme madera u otros materiales en el calefactor eléctrico.
16. No golpee el panel de vidrio.
17. Consulte a un electricista matriculado cada vez que precise nuevos circuitos o tomacorrientes.

Acerca del vidrio

1. Este producto no debe ponerse en funcionamiento en ninguna circunstancia si el panel de vidrio se encuentra roto o astillado.
2. No golpee ni cierre de golpe el vidrio.
3. No use limpiadores abrasivos para limpiar el vidrio.
4. Este producto posee vidrio templado.

INSTRUCCIONES IMPORTANTES DE SEGURIDAD

CONSERVE ESTAS INSTRUCCIONES



ADVERTENCIA



- Riesgo de choque eléctrico.
- No abrir.
- Contiene piezas que no pueden ser reparadas por el usuario.

DESCRIPCIÓN DE LAS ADVERTENCIAS



NOTA

Procedimientos y técnicas cuya importancia es suficiente para enfatizarlos.



PRECAUCIÓN

Procedimientos y técnicas que, de no seguirse con cuidado, producen daños al equipo.



ADVERTENCIA

Procedimientos y técnicas que, de no seguirse con cuidado, exponen al usuario a riesgos de incendio, lesiones graves, enfermedad o muerte.



NOTA Este aparato se ha sometido a pruebas y se ha determinado que cumple con los límites correspondientes a dispositivos digitales de Clase B, de acuerdo con la sección 15 de las normas de la Comisión Federal de Comunicaciones (FCC) de los EE. UU. El objetivo de estos límites es ofrecer protección razonable contra las interferencias perjudiciales en instalaciones residenciales. Este aparato genera, utiliza y es capaz de irradiar energía de radiofrecuencia. Si no se lo instala y utiliza de acuerdo con las instrucciones, puede generar interferencias perjudiciales para la recepción de radio o televisión, lo cual puede confirmarse apagando y encendiendo el equipo. Se recomienda al usuario intentar corregir la interferencia mediante una o más de las siguientes acciones:

- Modificar la orientación o ubicación de la antena receptora.
- Aumentar la separación entre el equipo y el receptor.
- Conectar el equipo a un tomacorriente que no pertenezca al mismo circuito al que está conectado el receptor.
- Consultar al distribuidor o a un técnico de radio/televisión con experiencia para obtener ayuda.

El funcionamiento está sujeto a las dos condiciones siguientes:

- (1) Este dispositivo no debe provocar interferencias y;
- (2) Este dispositivo debe aceptar cualquier interferencia, inclusive las que pudieran provocar un funcionamiento distinto al deseado.



NOTA Requiere un circuito de 15 A y 120 V. Es preferible contar con un circuito exclusivo, pero no es imprescindible en todos los casos. Es necesario un circuito exclusivo si, después de la instalación, el disyuntor se acciona o salta el fusible periódicamente al utilizar el calefactor. La conexión de otros aparatos al mismo circuito puede exceder la capacidad nominal de corriente del disyuntor.

Si tiene alguna duda sobre nuestros productos, comuníquese con el servicio de atención al cliente de Real Flame® al 1-800-654-1704

SELECCIÓN Y PREPARACIÓN DEL SITIO



ADVERTENCIA

Compruebe que, al tenderlo, el cable de alimentación no quede atascado ni apoyado sobre bordes filosos. Compruebe también que el cable de alimentación se conserve o esté fijado de manera de evitar tropiezos o enganches para reducir el riesgo de incendio, choque eléctrico o lesiones físicas.

El cableado del edificio y del tomacorriente debe cumplir con los códigos edilicios locales y otras normas aplicables para reducir el riesgo de incendio, choque eléctrico y lesiones físicas.

No intente conectar nuevos tomacorrientes ni circuitos por su cuenta. Para reducir el riesgo de incendio, choque eléctrico o lesiones físicas, siempre recurra a un electricista matriculado.

Consulte las instrucciones de puesta a tierra en la figura 1. Este calefactor debe usarse a 120 V. El cable posee un enchufe como el que se ilustra en la parte A de la Figura 1. Hay disponibles conectores como el de la pieza C de la ilustración para conectar enchufes de tres espigas con conexión a tierra a receptáculos de dos orificios. El terminal de tierra verde que sobresale del adaptador debe conectarse a masa permanente, por ejemplo, a un tomacorrientes con la conexión a tierra adecuada. No se debe usar adaptador si cuenta con un tomacorriente de tres ranuras con conexión a tierra.

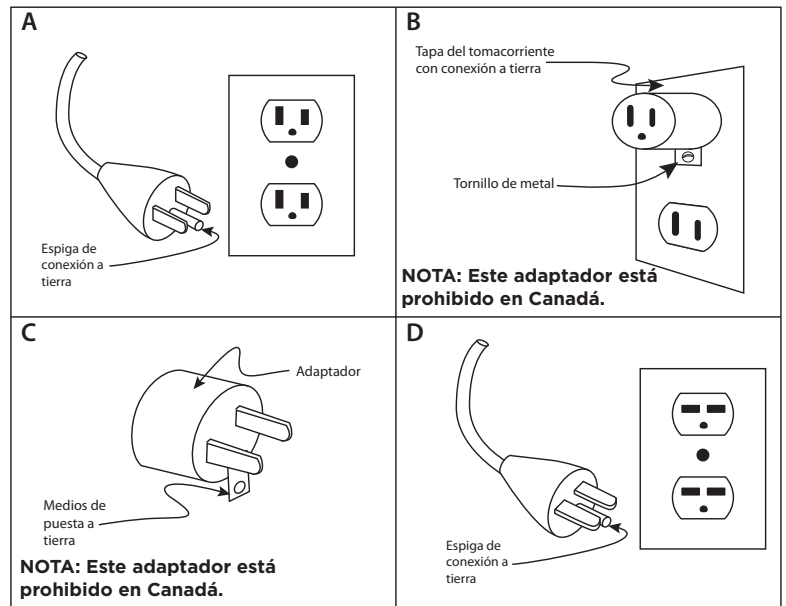


Fig. 1

Restablecimiento Manual

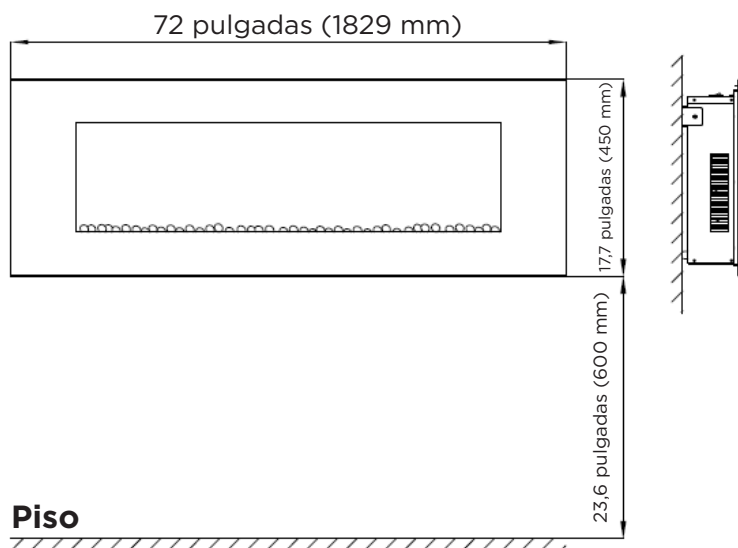
Para restablecer manualmente la cámara de combustión, desenchufe el cable de alimentación, espere 15 segundos y vuelva a conectarlo a la toma de corriente.

INSTALACIÓN

⚡ ADVERTENCIA Este artefacto está diseñado para quedar empotrado en una pared a una altura mínima de 12 pulgadas (300 mm). Asimismo la distancia mínima entre la parte superior del calefactor y el techo debe ser de 39 pulgadas (1000 mm). El oporte de la pared debe colocarse en forma horizontal con el cable hacia la parte inferior derecha de la chimenea.

NOTA Para tener una mejor vista de la chimenea, se recomienda una distancia de 23,62 pulgadas (600 mm) entre la base de la chimenea y el piso.

NOTA Se requieren dos personas para realizar la instalación.



Paso 1: Coloque la chimenea sobre una superficie acolchonada. Retire los 4 tornillos de montaje de la parte superior y 2 tornillos de montaje de cada lado de la chimenea (ver Imagen A). Coloque estos tornillos a un lado.

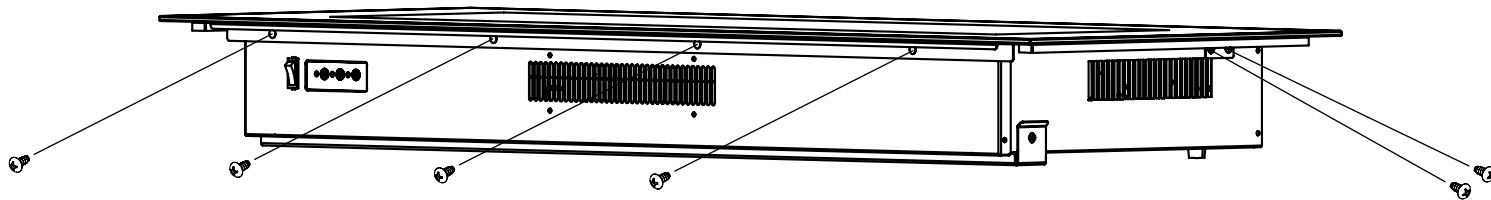


Fig. A

INSTALACIÓN (Cont.)

Paso 2: Retire el vidrio de la parte frontal tal como se muestra en la Imagen B. Tenga cuidado al manipularlo.

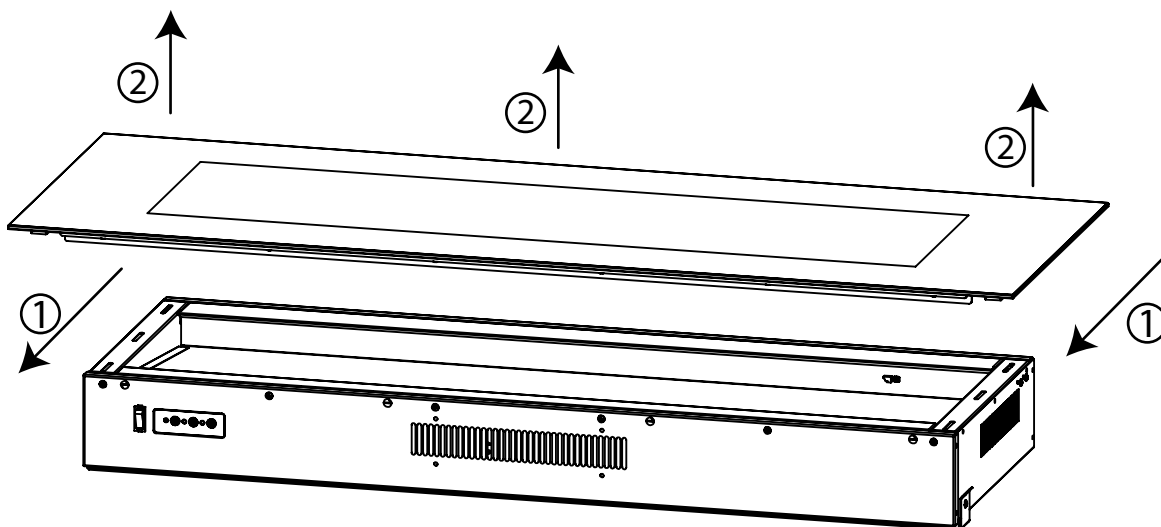


Fig. B

Paso 3: El soporte de montaje se encuentra colocado en la parte posterior de la chimenea. Retire 2 tornillos y separe el soporte. Ver Imagen C.

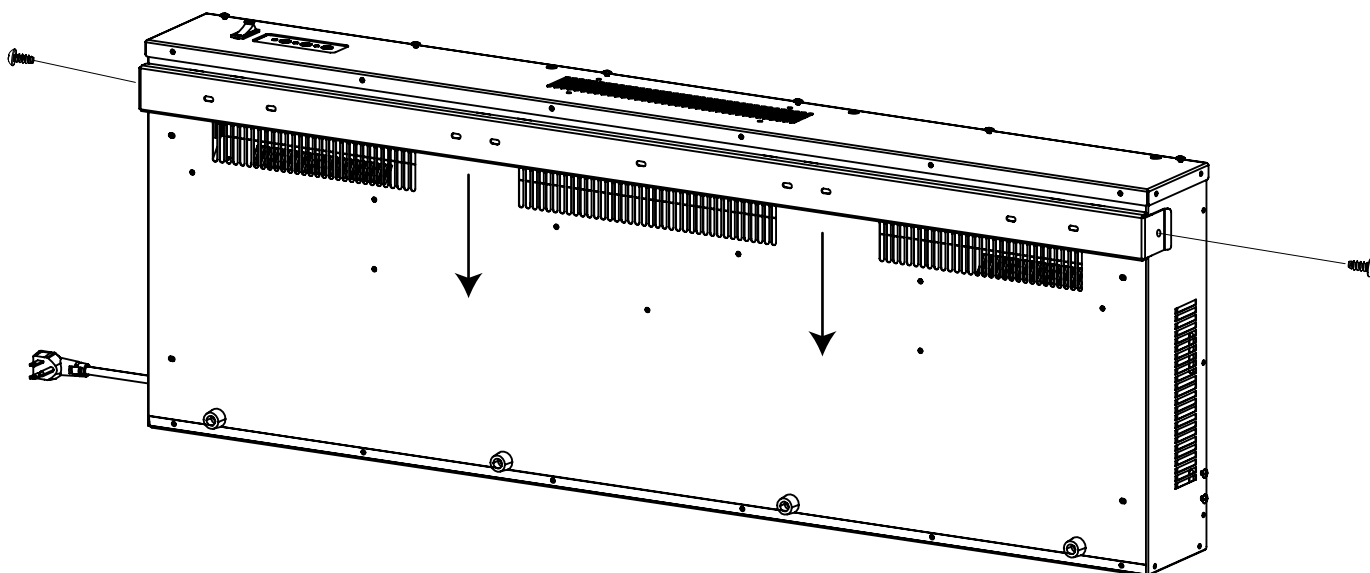
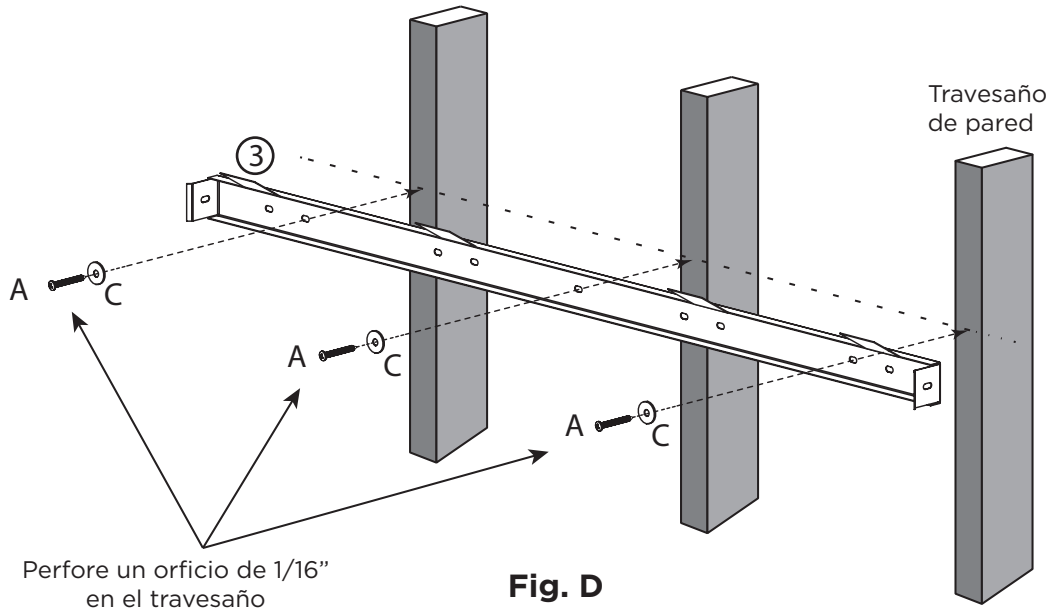


Fig. C

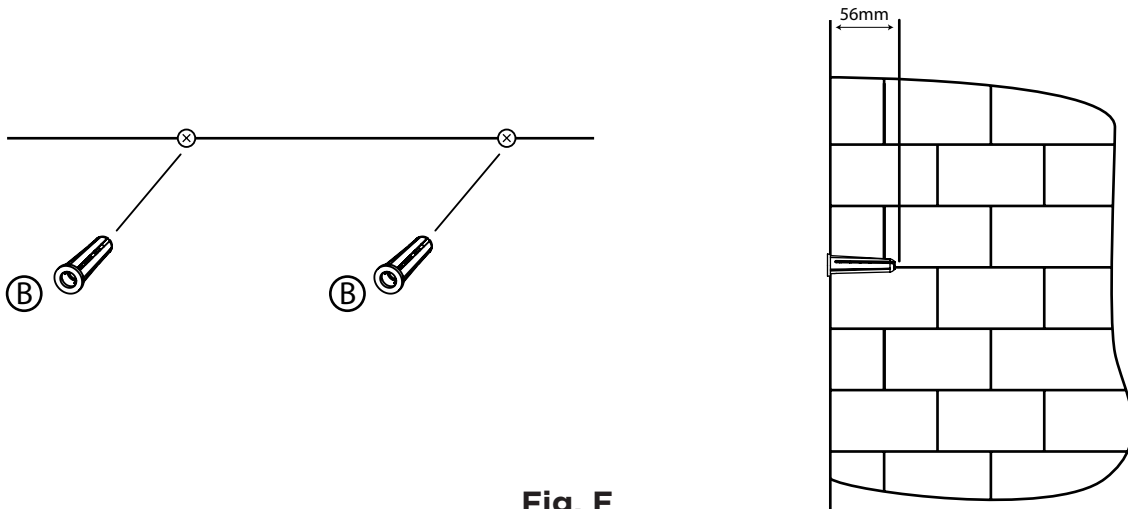
INSTALACIÓN (Cont.)

Paso 4: Fig. D

- Localice el travesaño donde la chimenea será montada.
- Observando el diagrama de altura en la página 6, marque el lugar en un travesaño y perforo un orificio piloto de 1/16" para montar el soporte en un vástago del travesaño. Se requiere un travesaño para montar en forma segura este soporte usando los 2 orificios en el centro del soporte de montaje (3).
- Afirme el soporte de montaje a la pared usando uno tornillo.
- Nivele el soporte y marque los 3 lugares para los orificios restantes.
- Nivele nuevamente el soporte e instale los 3 tornillos para montar el soporte (3).

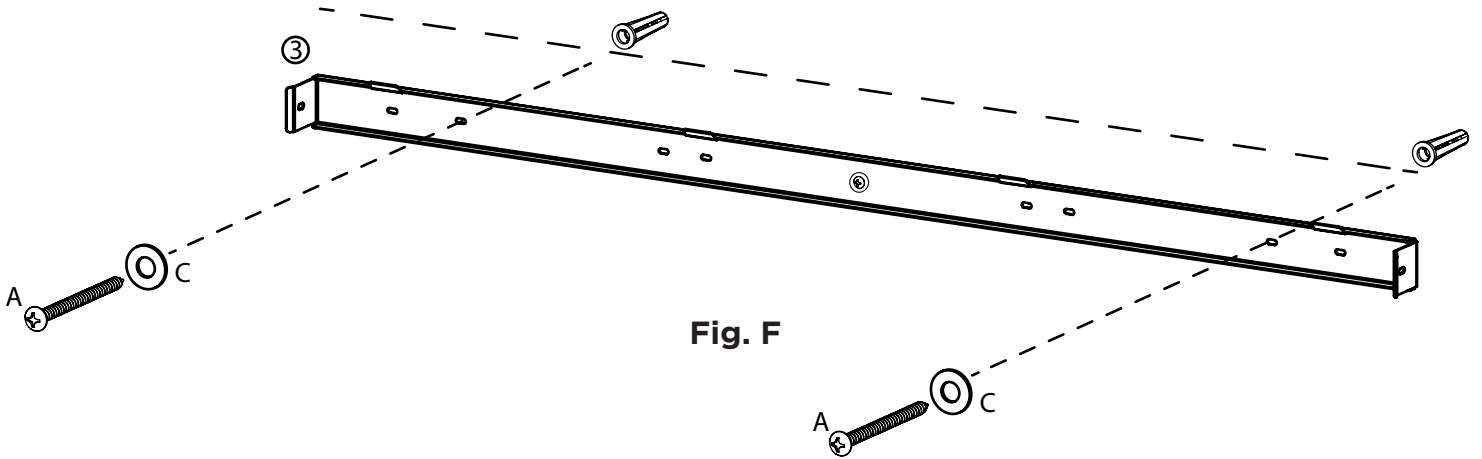


Paso 5: Perfore orificios de 5/16 de pulgada (8 mm) de diámetro y 2,2 pulgadas (56 mm) de profundidad en los puntos marcados. Para los orificios que no hagan tope con pernos, utilice los anclajes de pared incluidos. Coloque los anclajes de pared en los orificios y aplique golpes suaves con el martillo hasta que la brida del anclaje de pared quede al ras de la pared. Ver Imagen E.

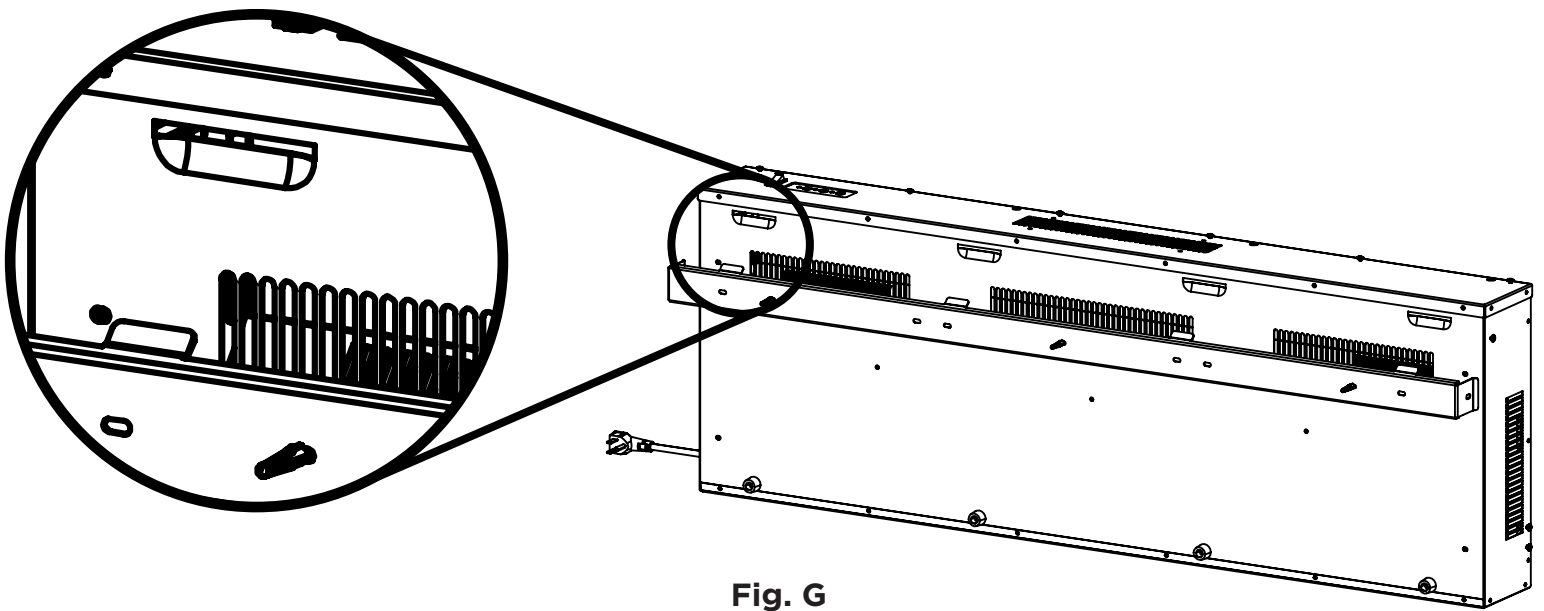


INSTALACIÓN (Cont.)

Paso 6: Asegure el soporte de montaje en los anclajes de pared con los 4 torillos de anclaje, tal como se muestra en la Imagen F.



Paso 7: Coloque la chimenea en la pared guiándose con las ranuras del soporte metálico de la parte posterior de la chimenea. Ver Imagen G. Asegúrese de que el soporte de montaje encaje completamente en el soporte metálico de la parte posterior de la chimenea.



INSTALACIÓN (Cont.)

Paso 8: Asegure el soporte de montaje a la chimenea con 2 tornillos de montaje. Ver Imagen H.

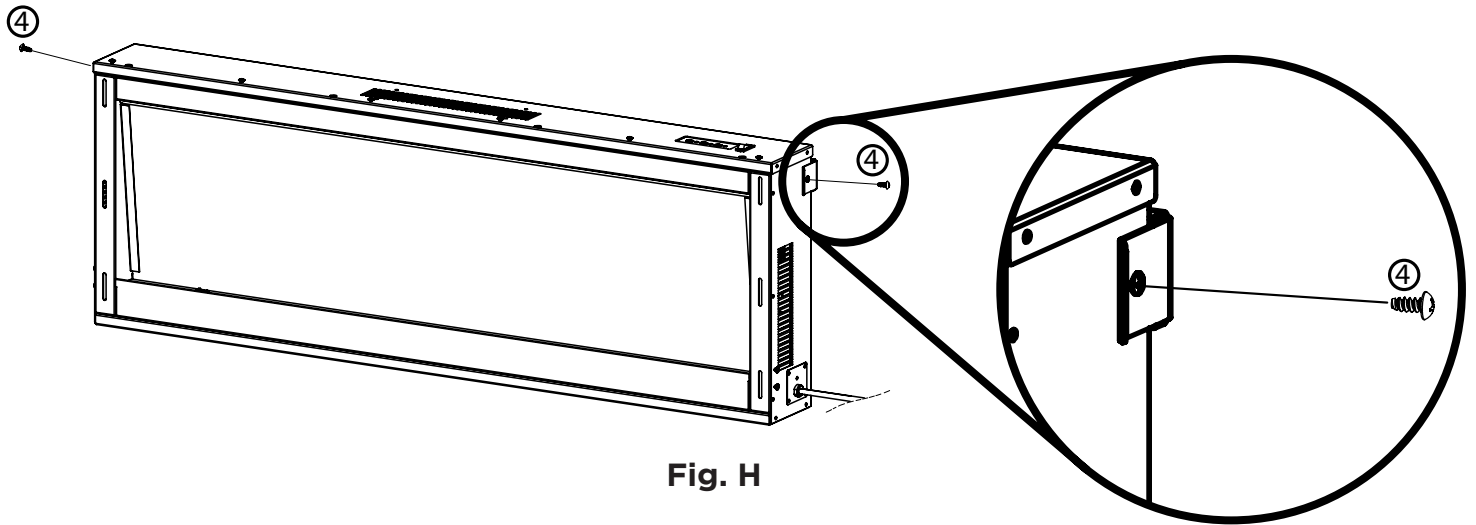


Fig. H

Paso 9: Coloque el vidrio triturado o relleno de piedra en el panel. Ver Imagen I.

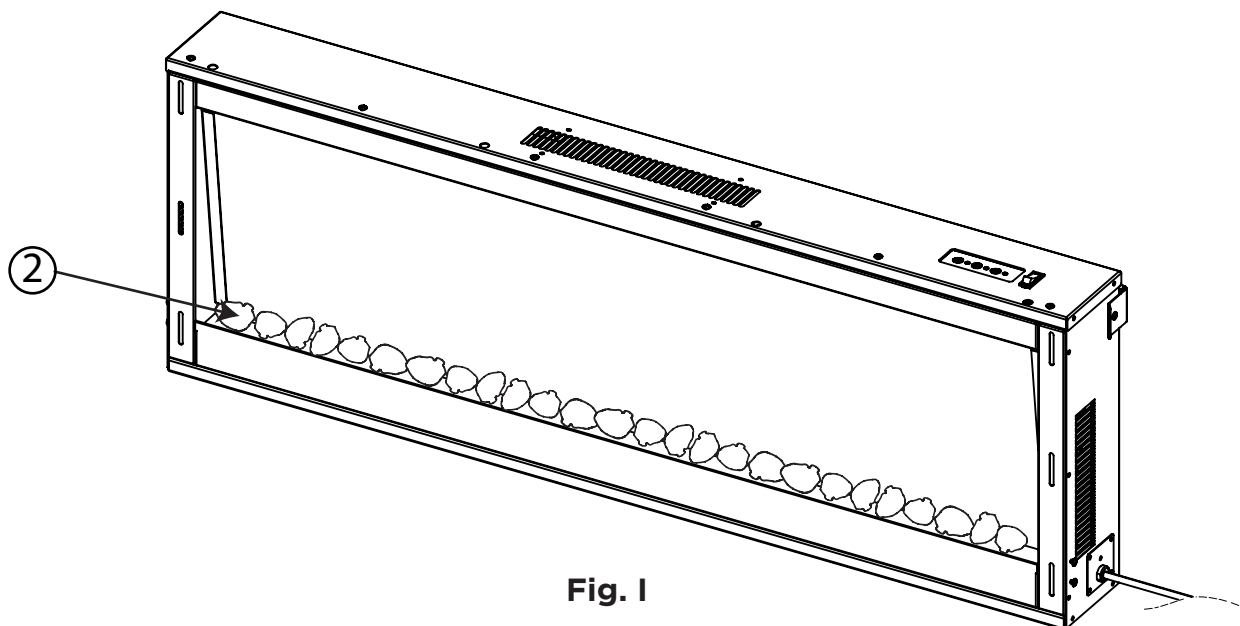


Fig. I

INSTALACIÓN (Cont.)

Paso 10: Sostenga la cubierta frontal firmemente y colóquela en las 6 ranuras que se encuentran a ambos lados de la chimenea. Asegúrese de que la cubierta frontal se encuentra completamente encajada en **LAS 6 RANURAS** antes de soltarla. Ver Imagen J.

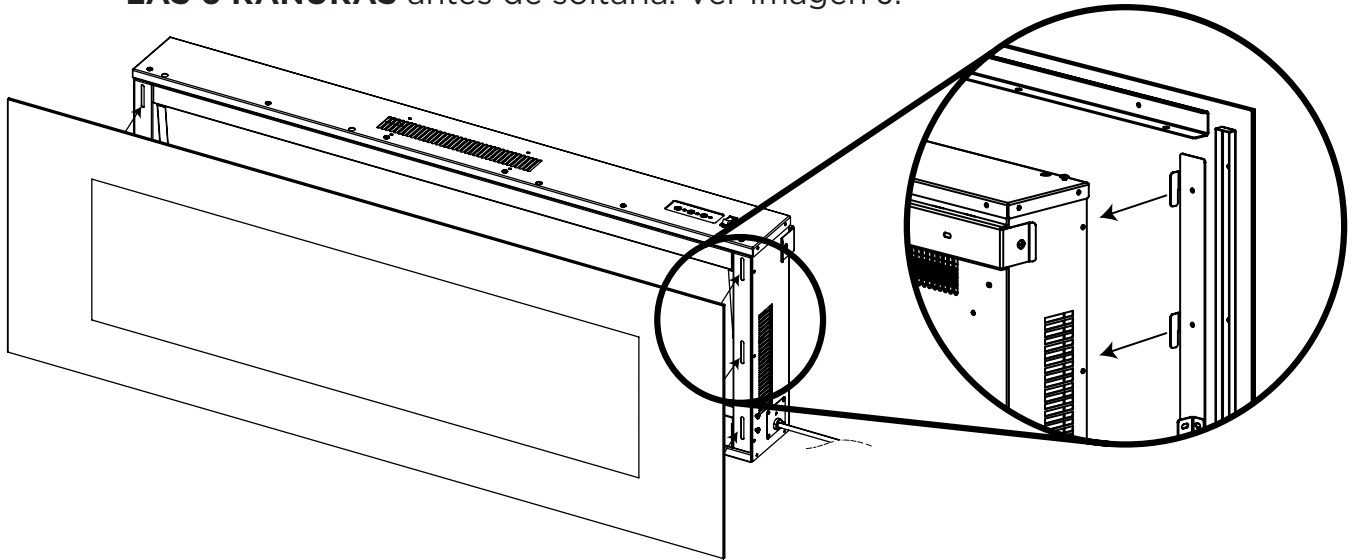


Fig. J

Paso 11: Asegure la cubierta frontal a la parte superior y a ambos lados de la chimenea con 8 tornillos de montaje. Ver Imagen K.

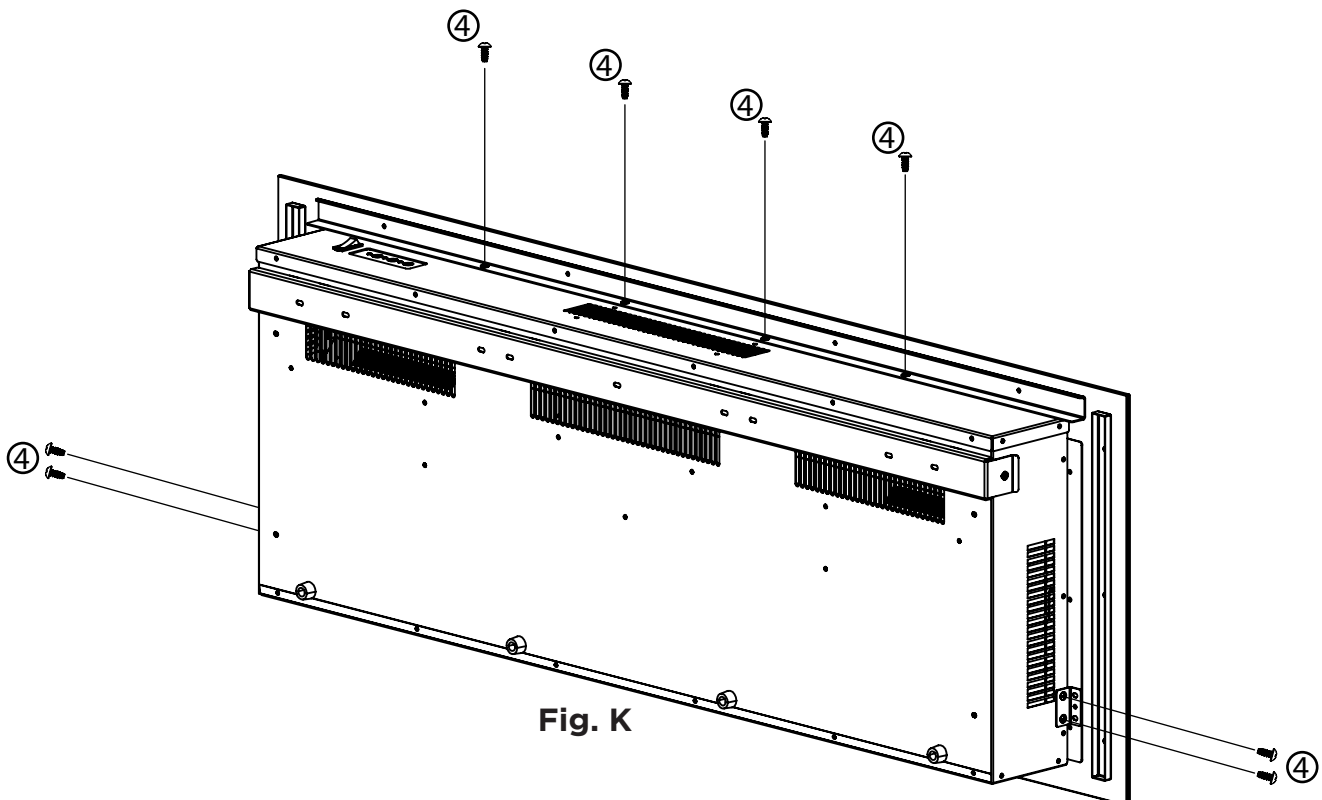


Fig. K

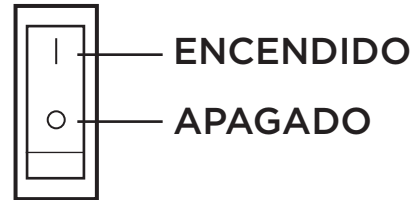
CARACTERÍSTICAS Y OPERACIÓN

OPERACIÓN DEL PANEL DE CONTROL

Luego de haber leído todas las instrucciones, confirme que todos los controles de la chimenea se encuentren en posición de APAGADO. Conecte la chimenea a una toma de 15AMP/120Voltios. El panel de control se encuentra ubicado en la parte superior derecha de la chimenea.

INTERRUPTOR PRINCIPAL

Presione el botón O/I para hacer uso del interruptor principal .



CALEFACTOR

Cambia el calor de apagado a bajo o alto.

COLOR

Cambia el color de las llamas con seis opciones.

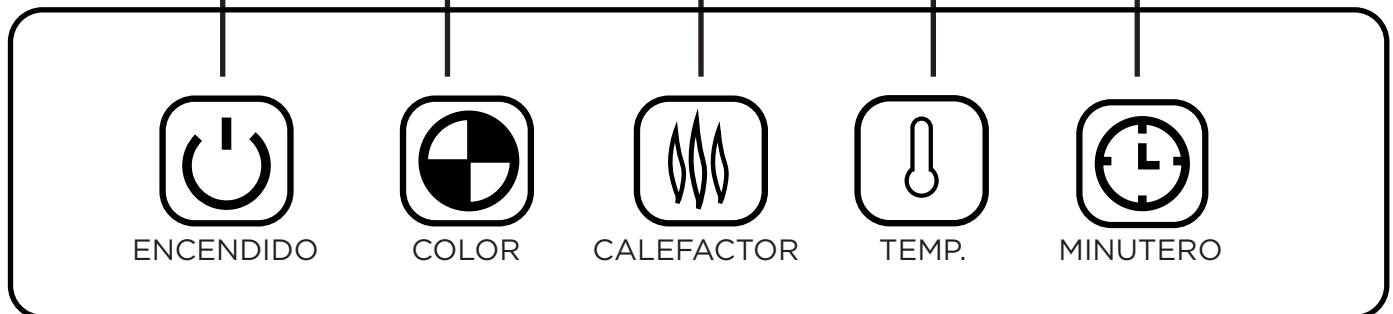
TEMP.

Cambia la configuración de calor. Entre 62 y 82

MINUTERO

Apagado automático entre 0-8 horas.

ENCENDIDO
Enciende y apaga la unidad.



Nota: Cuando el interruptor de O/I se encuentre APAGADO, las demás funciones de la chimenea se detendrán.



NOTA Cuando la chimenea ingrese en el modo de inactividad, las brasas de la llama no se apagarán inmediatamente.



NOTA Esta es una característica diseñada para imitar el modo en que las brasas del fuego se apagan lentamente. Si bien el calefactor se encuentra apagado, el ventilador podría continuar funcionando para evitar el sobrecalentamiento.

ESPECIFICACIONES TÉCNICAS: Fuente de alimentación: 120V~60Hz, Potencia nominal: 1400W

CARACTERÍSTICAS Y OPERACIÓN (Cont.)

OPERACIÓN DEL CONTROL REMOTO

Para utilizar el control remoto, asegúrese de que el interruptor principal (I/O) de la chimenea se encuentre encendido.

ENCENDIDO

Enciende y apaga la unidad.

CALEFACTOR

Cambia el calor de apagado a bajo o alto.

REGULADOR DE INTENSIDAD

Elija entre cinco configuraciones de brillo de llama.

MINUTERO

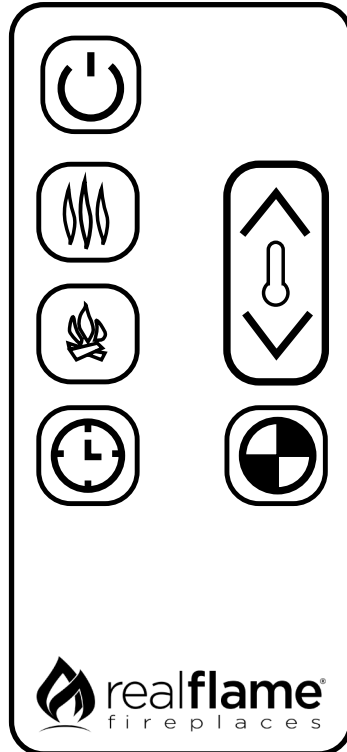
Apagado automático entre 0-8 horas.

TEMP.

cambia la configuración de calor. Entre 62 y 82.

COLOR

Cambia el color de las llamas con seis opciones.



CAMBIO DE BATERÍAS DEL CONTROL REMOTO

El control remoto funciona con una batería de ion de litio CR2025 de 3V (que viene incluida)

Para realizar el cambio, retire la película protectora que se encuentra entre la batería y los contactos. Ver Imagen L.

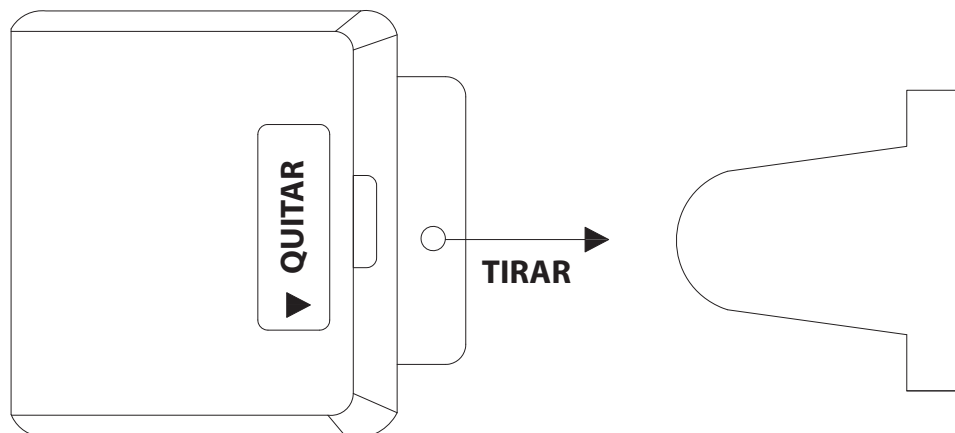


Fig. L

CARACTERÍSTICAS Y OPERACIÓN (Cont.)

Si el control remoto deja de funcionar o su rango de alcance parece reducirse, reemplace la batería por una nueva.

Reemplácela por otra batería CR2025 y siga el diagrama que figura en la parte trasera del control remoto para colocar la nueva batería. Ver Imagen M.

1. El compartimiento de la batería se encuentra ubicado en la parte posterior del control remoto.
2. Presione y deslice la cubierta de la batería para abrirla y quitar la batería vieja.
3. Coloque una batería CR2025, comprobando que las terminales “+” y “-” de la batería coincidan con las indicaciones que figuran dentro del compartimiento.
4. Vuelva a colocar la cubierta del compartimiento de la batería.

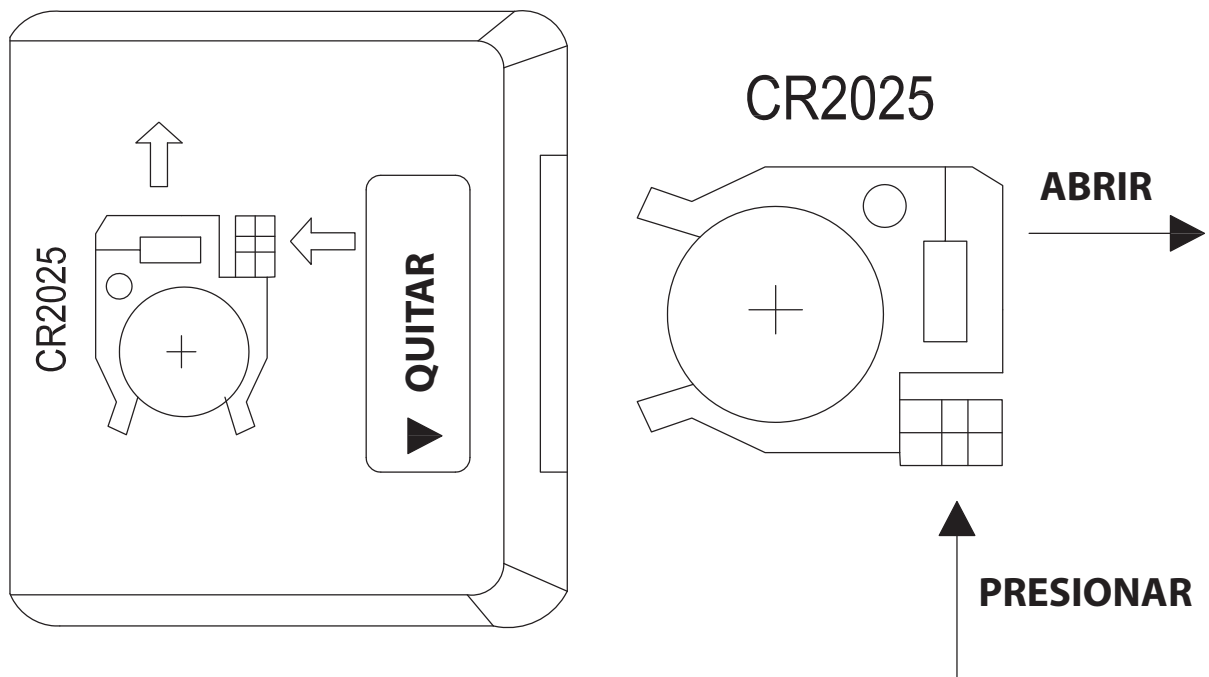


Fig. M

CUIDADO Y MANTENIMIENTO

ADVERTENCIA

Desconecte la unidad de la toma eléctrica antes de realizar cualquier tarea de mantenimiento o limpieza, a fin de reducir el riesgo de incendio, descarga eléctrica, lesiones o muerte.

LIMPIEZA Antes de limpiar la unidad, apague el interruptor O/I y desconecte la unidad de la toma eléctrica.

- Para quitarle el polvo a la chimenea, utilice un paño seco y limpio.
- Para limpiar cualquier superficie pintada, utilice agua tibia y un paño limpio. No utilice limpiadores abrasivos.
- Para limpiar el panel de vidrio de la chimenea, utilice un limpiador de cristales común.

PRECAUCIÓN

Al transportar o guardar la unidad y el cable, manténgalos en un lugar seco y libre de vibraciones excesivas. Guárdelos de manera tal que se evite cualquier daño.

Diodo emisor de luz

La chimenea viene con bombillas LED (diodo de emisor de luz) en lugar de bombillas convencionales. Estas bombillas generan los mismos niveles de luz que las bombillas convencionales, pero utilizan una fracción de la energía. Estas bombillas LED no requieren mantenimiento y deberán tener la misma duración que la vida útil del producto.



GARANTÍA

Garantía Limitada

Real Flame® garantiza que los siguientes componentes de esta chimenea Real Flame® ("el Producto") estará libre de defectos de fabricación y materiales después el ensamble correcto y bajo el uso normal y el mantenimiento adecuado de los períodos indicados más abajo, comenzando con la fecha de compra del Producto:

- El cuerpo - 1 año de garantía limitada.
- Los componentes internos - 1 año de garantía limitada.

Esta garantía se extiende al comprador original únicamente, siempre que la compra haya sido realizada a través de un distribuidor autorizado Real Flame. La garantía está también sujeta a las siguientes condiciones y limitaciones:

Esta garantía no se extiende a los daños ocasionados por transporte, ensamblaje inadecuado, instalación o almacenaje, instalación que no cumpla con los códigos y las ordenanzas de construcción, instalación u operación que no esté de acuerdo con el manual incluido, abuso, falta de mantenimiento, ambientes hostiles, accidentes, clima natural o reparaciones de baja calidad. La modificación del Producto, el uso de combustibles distintos a los aprobados por Real Flame, o el uso de piezas instaladas de otros fabricantes, anularán esta garantía.

Esta garantía se aplica a la funcionalidad del Producto únicamente y no cubre elementos cosméticos tales como raspones, hendiduras, corrosión, oxidación, corrosión, áreas decoloradas o agrietadas debido a la exposición prolongada al calor extremo decoloración causada por el calor, limpiadores abrasivos y limpiadores químicos. Sin embargo, si el deterioro de las piezas ocurre a un grado que impida el funcionamiento dentro del período de la garantía, Real Flame proporcionará una pieza de reemplazo.

Real Flame exige una prueba razonable de su fecha de compra. Por lo tanto, usted debe conservar su recibo de venta y/o la factura. Las partes defectuosas sujetas a esta garantía no serán reemplazadas sin la prueba de compra.

Real Flame debe tener la oportunidad de verificar el defecto que alega. Para que cualesquiera de los componentes internos estén amparados bajo esta garantía, Real Flame exige que el usuario haga una localización de la avería con un miembro de servicio al cliente de Real Flame para garantizar el funcionamiento adecuado y el diagnóstico del problema.

En el caso de defectos amparados de los elementos garantizados, Real Flame, a su discreción, reemplazará el componente defectuoso, reemplazará el Producto o reembolsará el precio de compra. Real Flame no es responsable por la instalación, mano de obra u otros costos relacionados con la reinstalación. Lo anterior es el recurso exclusivo según los términos de esta garantía limitada. Real Flame no será responsable de los daños accidentales o resultantes causados por defectos en el Producto. Algunos estados no permiten la inclusión o limitación de daños accidentales o resultantes, así que es posible que la limitación o la exclusión puede que no apliquen para usted.

Esta garantía limitada es la única garantía expresa otorgada por Real Flame. La duración de cualquier garantía implícita que surja según las leyes de cualquier estado, incluyendo la garantía de mercantilidad o adecuación para un fin o uso en particular, está limitada a la duración de la garantía especificada anteriormente. Algunos estados no permiten limitaciones en cuanto a la duración de la garantía implícita, de modo que esta limitación puede no ser aplicable en su caso.

Esta garantía le otorga derechos legales específicos y usted puede tener también otros derechos que varían de un estado a otro.

Para el servicio de garantía:

1. Llame al Servicio al cliente de Real Flame al 1-800-654-1704 para apoyo técnico y para solución de problemas.
2. Si tiene problemas con el acabado, por favor rellene el formulario "Reclamo de la Garantía en Exterior" en www.realflame.com.

POLÍTICA DE DEVOLUCIÓN

Política de devolución

Usted puede devolver su compra en el plazo de 90 días de haberla recibido. No se emitirán reembolsos por devoluciones incompletas o no autorizadas. Todos los productos devueltos deben estar 100% completos, adecuadamente empacados en su empaque original y en condiciones de reventa. Los productos que han sido ensamblados o modificados no reúnen los requisitos para la devolución. Todos los artículos deben ser devueltos en su totalidad, lo cual significa que todos los artículos incluidos deben ser devueltos juntos. No se aceptan devoluciones o cambios de artículos discontinuados. Comience el proceso de devolución comunicándose con la tienda o la compañía donde adquirió su artículo Real Flame®.

Piezas de repuesto

En caso de que un artículo se haya perdido o dañado por parte del fabricante o en el envío, usted puede solicitar un reemplazo. Las piezas de reemplazo no están disponibles para todas las unidades y solo se suministran a la discreción de Real Flame. Nosotros evaluaremos cualquier daño y encontraremos una solución, lo cual puede incluir enviarle un reemplazo. No hay reemplazos disponibles para artículos discontinuados o productos reempacados (caja que ha sido abierta). Llame a Servicio al cliente de Real Flame al 1-800-654-1704 para las piezas de repuesto antes de devolver el artículo dañado. Tenga lista la siguiente información consigo (la cual puede encontrar en su manual de instrucciones) antes de llamar al Servicio al cliente:

- Número de modelo del artículo
- Número de pieza de 4-8 dígitos
- Número de código del lote
- Dirección de envío
- Se puede solicitar una foto del artículo dañado. Las fotos se pueden enviar a custserv@realflame.com.

Orden incorrecta recibida

Si usted recibió algo distinto de lo que ordenó, comuníquese con el Servicio al cliente de Real Flame al 1-800-654-1704 en el plazo de 48 horas de haber recibido el artículo.

Consulte www.realflame.com para las pautas y políticas completas de devolución.

Registre su chimenea para las notificaciones de retiro del mercado, prueba de titularidad y aseguramiento de la calidad en <https://www.realflame.com/registration>.

Real Flame®
7800 Northwestern Ave.
Racine, WI 53406
USA

Servicio al cliente: 1-800-654-1704 en EE. UU.
Service à la clientèle: 1-800-363-6443 in Canada
custserv@realflame.com

Real Flame®
7800 Northwestern Ave.
Racine, WI 53406

Customer Service: 1-800-654-1704 in USA
Service à la clientèle: 1-800-363-6443 in Canada
custserv@realflame.com

