



Ball Mount Storage

Model Number:
70740

- Mountable
- Safe storage for ball mount
- Prevents loose bar damage



This Instruction Sheet contains IMPORTANT safety information. Please read and keep for future reference.



For assistance with this product or to order replacement parts, please contact:

**Cequent Consumer Products, Inc.
29000-2 Aurora Road
Solon, OH 44139
Questions: (800) 234-6992
ReeseBrands.com**

Date of Purchase: _____

THIS WARNING IS GIVEN IN COMPLIANCE WITH CALIFORNIA PROPOSITION 65

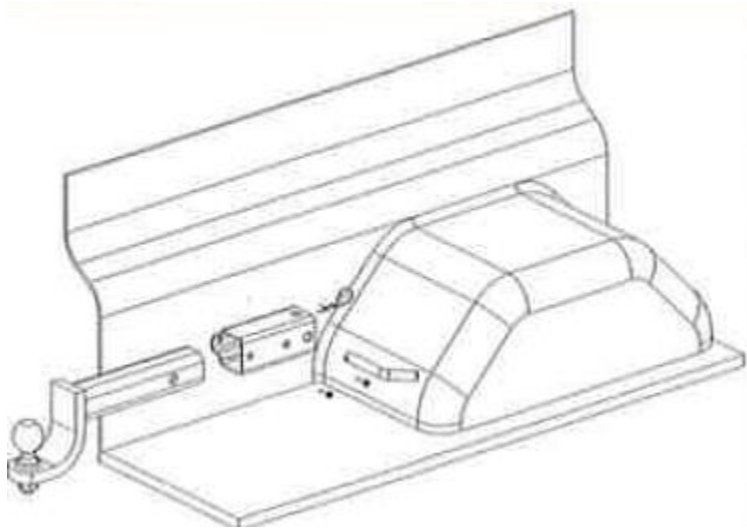
WARNING: This product contains chemicals known to the state of California to cause cancer, birth defects or other reproductive harm.

FASTENER KIT CONTAINS THE BELOW ITEMS

	#10-16 x 1.25 Phillips Flat Countersunk Head Tapping Screw	2
---	---	----------

INSTALLATION

1. Locate mount location.
2. Determine orientation.
Either Vertical or Horizontal.
Recommended to use Fig. 1 Horizontal Orientation.
3. Hold unit in desired position and mark screw hole locations.
Vertical Orientation – Male end of receiver should sit on the floor.
Horizontal Orientation – Ball/Screw should sit on the floor.
4. Pre-Drill the 2 pilot holes with the 1/8 In. drill bit.
5. Line-up the unit over holes and hold in place.
6. Thread first fastener in to place and tighten with screwdriver.
7. Repeat step 6 for second fastener.



Rear of Vehicle

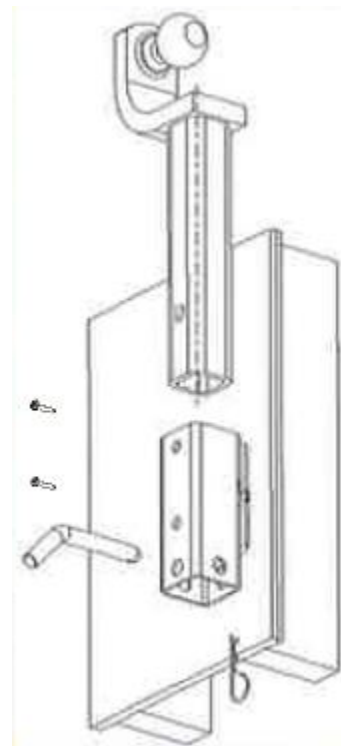


Fig. 1 Horizontal Orientation

Fig. 2 Vertical Orientation

REESE One (1) Year Limited Warranty

1. **Warranty.** Cequent Consumer Products, Inc. warrants to the original consumer purchaser ("You") that the Product will be free from defects in material or workmanship for one year from the date of your retail purchase. Cequent Consumer Products, Inc. makes no other warranties. If the Product does not comply with the Warranty, Cequent Consumer Products, Inc. will replace the Product without charge and within a reasonable time or, at Cequent Consumer Products, Inc. option, otherwise refund the purchase price.
2. **Limitations on the Warranty.** The Warranty does not cover the following: (a) normal wear and tear; (b) service or labor charges incurred in removing or replacing any Product; (c) the finish on the Product; (d) a Product that has been damaged through abuse, neglect, misuse or as a result of any accident or in any other manner; (e) a Product which is misapplied, overloaded, or improperly installed; and (f) a Product altered in any manner by anyone other than Cequent Consumer Products, Inc.
3. **Obligations of Purchaser.** To obtain the benefits of the Warranty, You must promptly present the defective Product and proof of purchase to Cequent Consumer Products Inc., 29000-2 Aurora Road, Solon, Ohio 44139 or any of its branches, factories, or authorized dealers listed in local directories. Any returned Product that is replaced or refunded becomes the property of Cequent Consumer Products, Inc.
4. **Legal Rights.** This Warranty gives You specific legal rights, and You also may have other rights which vary from state to state. ANY IMPLIED WARRANTY OF MERCHANTABILITY OR FITNESS FOR A PARTICULAR PURPOSE ON ANY PRODUCT SHALL BE LIMITED TO ONE YEAR FROM THE DATE OF RETAIL PURCHASE BY YOU. Some states do not allow limitations on how long an implied warranty lasts, so the above limitation may not apply to You.
5. **Remedy Limits.** Replacement of the Product or refund in the manner provided above is Your exclusive remedy and shall constitute fulfillment of all liabilities of Cequent Consumer Products, Inc. to You whether based on contract or otherwise. Cequent Consumer Products, Inc. shall not be liable or assume responsibility for the loss of the use of any vehicle, loss of time, rental of vehicles, loss or damage to personal property, expenses such as gasoline, telephone, lodging, or towing, or any other incidental or consequential damages incurred as a result of the use or ownership of any Product. Some states do not allow the exclusion or limitation of incidental or consequential damages, so the above limitation or exclusion may not apply to You. Any of the above remedy limitations shall be inoperative to the extent they are not permitted by applicable state law.

The proper attachment of this product in accordance with the enclosed instructions is critical to its proper performance. Cequent Consumer Products, Inc. has no control over, or responsibility for, the attachment or the installation. Cequent Consumer Products, Inc. is NOT responsible nor will be held liable for any damage resulting from its attachment or improper use. Cequent Consumer Products, Inc. shall not be liable for any claims of any kind greater than the purchase price of the product. Warranty information available at www.trimascorp.com/terms.



CEQUENT™
CONSUMER PRODUCTS

Cequent Consumer Products, Inc.
29000-2 Aurora Road
Solon, OH 44139
Questions: (800) 234-6992
ReeseBrands.com