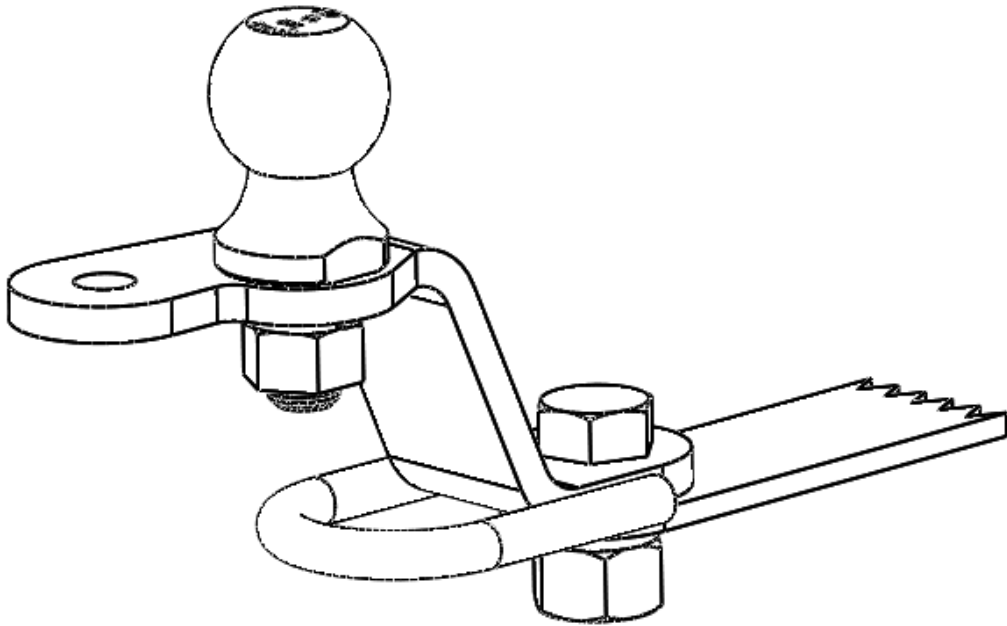


Three Way ATV/UTV Hitch



- Fits All ATV/UTVs with a factory ball mount hitch
- Mounting hardware included
- Heavy Duty powder coated metal construction

**THIS INSTRUCTION BOOKLET CONTAINS IMPORTANT SAFETY INFORMATION.
PLEASE READ AND KEEP FOR FUTURE REFERENCE.**

HELP HOTLINE: 1-800-234-6992

www.cequentconsumerproducts.com

**Cequent Consumer Products, Inc.,
29000-2 Aurora Road, Solon, OH 44139**

Date of Purchase _____

CAUTION!

- **Read, understand and follow all warnings and instructions before using this product. Failure to follow these directions may result in property damage, serious bodily injury, and/or death. Cequent Consumer Products is not responsible for any property damage, personal injury, or death occurred while using any Reese Carry Power products.**

WARNING!

- Do not exceed ATV/UTV Manufacturers load recommendations
- The attachment of this product is critical and beyond the control of Cequent Consumer Products.
- Cequent Consumer Products is NOT responsible for the attachment nor the installation.
- Cequent Consumer Products neither guarantees, nor will it be liable for any damage resulting from its attachment or improper use.
- The liability of this product is limited to its purchase price if it proves to be defective in material and/or workmanship.
- Warranty will be void if hardware is damaged or worn.

WARNING: This product contains chemicals known to the state of California to cause cancer, birth defects or other reproductive harm.

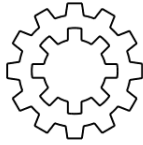
REESE Limited Lifetime Warranty

1. **Warranty.** Cequent Consumer Products, Inc. warrants to the original consumer purchaser ("You") that the Product will be free from defects in material or workmanship for two years from the date of your retail purchase. Cequent Consumer Products, Inc. makes no other warranties. If the Product does not comply with the Warranty, Cequent Consumer Products, Inc. will replace the Product without charge and within a reasonable time or, at Cequent Consumer Products, Inc. option, otherwise refund the purchase price.
2. **Limitations on the Warranty.** The Warranty does not cover the following: (a) normal wear and tear; (b) service or labor charges incurred in removing or replacing any Product; (c) the finish on the Product; (d) a Product that has been damaged through abuse, neglect, misuse or as a result of any accident or in any other manner; (e) a Product which is misapplied, overloaded, or improperly installed; and (f) a Product altered in any manner by anyone other than Cequent Consumer Products, Inc.
3. **Obligations of Purchaser.** To obtain the benefits of the Warranty, You must promptly present the defective Product and proof of purchase to Cequent Consumer Products Inc., 29000-2 Aurora Road, Solon, Ohio 44139, or any of its branches, factories, or authorized dealers listed in local directories. Any returned Product that is replaced or refunded becomes the property of Cequent Consumer Products, Inc.
4. **Legal Rights.** This Warranty gives You specific legal rights, and You also may have other rights which vary from state to state. **ANY IMPLIED WARRANTY OF MERCHANTABILITY OR FITNESS FOR A PARTICULAR PURPOSE ON ANY PRODUCT SHALL BE LIMITED TO ONE YEAR FROM THE DATE OF RETAIL PURCHASE BY YOU.** Some states do not allow limitations on how long an implied warranty lasts, so the above limitation may not apply to You.
5. **Remedy Limits.** Replacement of the Product or refund in the manner provided above is Your exclusive remedy and shall constitute fulfillment of all liabilities of Cequent Consumer Products, Inc. to You whether based on contract or otherwise. Cequent Consumer Products, Inc. shall not be liable or assume responsibility for the loss of the use of any vehicle, loss of time, rental of vehicles, loss or damage to personal property, expenses such as gasoline, telephone, lodging, or towing, or any other incidental or consequential damages incurred as a result of the use or ownership of any Product. Some states do not allow the exclusion or limitation of incidental or consequential damages, so the above limitation or exclusion may not apply to You. Any of the above remedy limitations shall be inoperative to the extent they are not permitted by applicable state law.

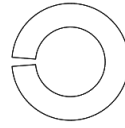
INCLUDED



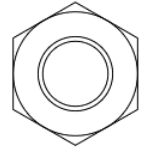
3/4"-10 x 2.5"
HEX BOLT



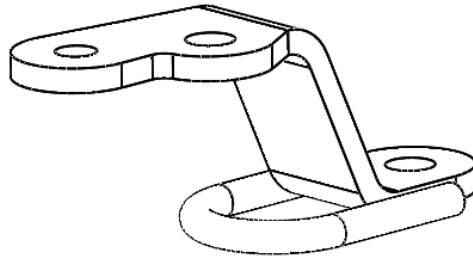
STAR WASHER



LOCK WASHER



HEX NUT



ATV/UTV HITCH

TOOLS NEEDED

(2) 1-1/8" WRENCHES
OR LARGE ADJUSTABLE WRENCHES

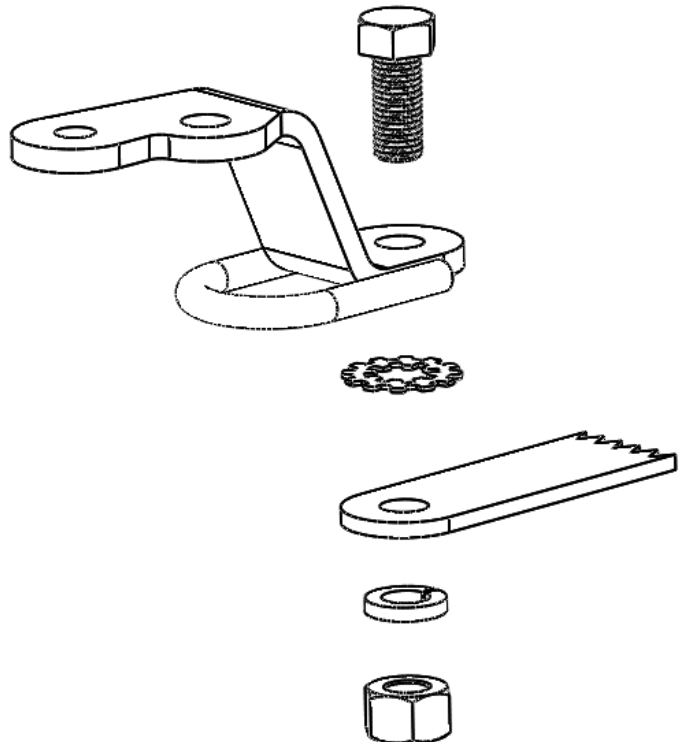


1

To install an ATV/UTV Hitch, first ensure that the Star Washer is between the ATV/UTV hitch and the hitch hole pad extending on the actual ATV/UTV.

2

Then slide the 3/4" Hex Bolt down through ATV/UTV Hitch, Star Washer, Hitch Hole on the ATV/UTV extending Hitch Pad and the Split Lock Washer.



3

Thread the Hex Nut on the end of the 3/4" Hex Bolt and tighten.