

COVER PAGE

4491 GOOSENECK MOUNTING KIT

NOTE!

Prior to installing product, please visit one of our websites to assure your kit contains the most recent revision to installation instruction and verify vehicle application.

www.ReeseProducts.com

REMARQUE!

Avant d'installer le produit, veuillez visiter un de nos sites Web pour vous assurer que votre ensemble contient la plus récente version des instructions d'installation et vérifier l'application qui convient à votre véhicule.

www.ReeseProducts.com

NOTA!

Antes de instalar el producto, por favor visite uno de nuestros sitios web para asegurar que su equipo contiene la revisión más reciente a instrucciones de instalación y verificar la aplicación del vehículo.

www.ReeseProducts.com

Installation Instructions

GOOSENECK MOUNTING KIT

Ford F-150

Part Numbers:

4491

WARNING: Under no circumstances do we recommend exceeding the towing vehicle manufacturers recommended vehicle towing capacity.

Equipment Required:

Fastener Kit: 4491F

Wrenches: 3/4, 7/8, 15/16

Drill Bits: 1/4"

Other Tools: Drill, Pullwire (provided)

9465/9475 Hide-A-Goose Installation

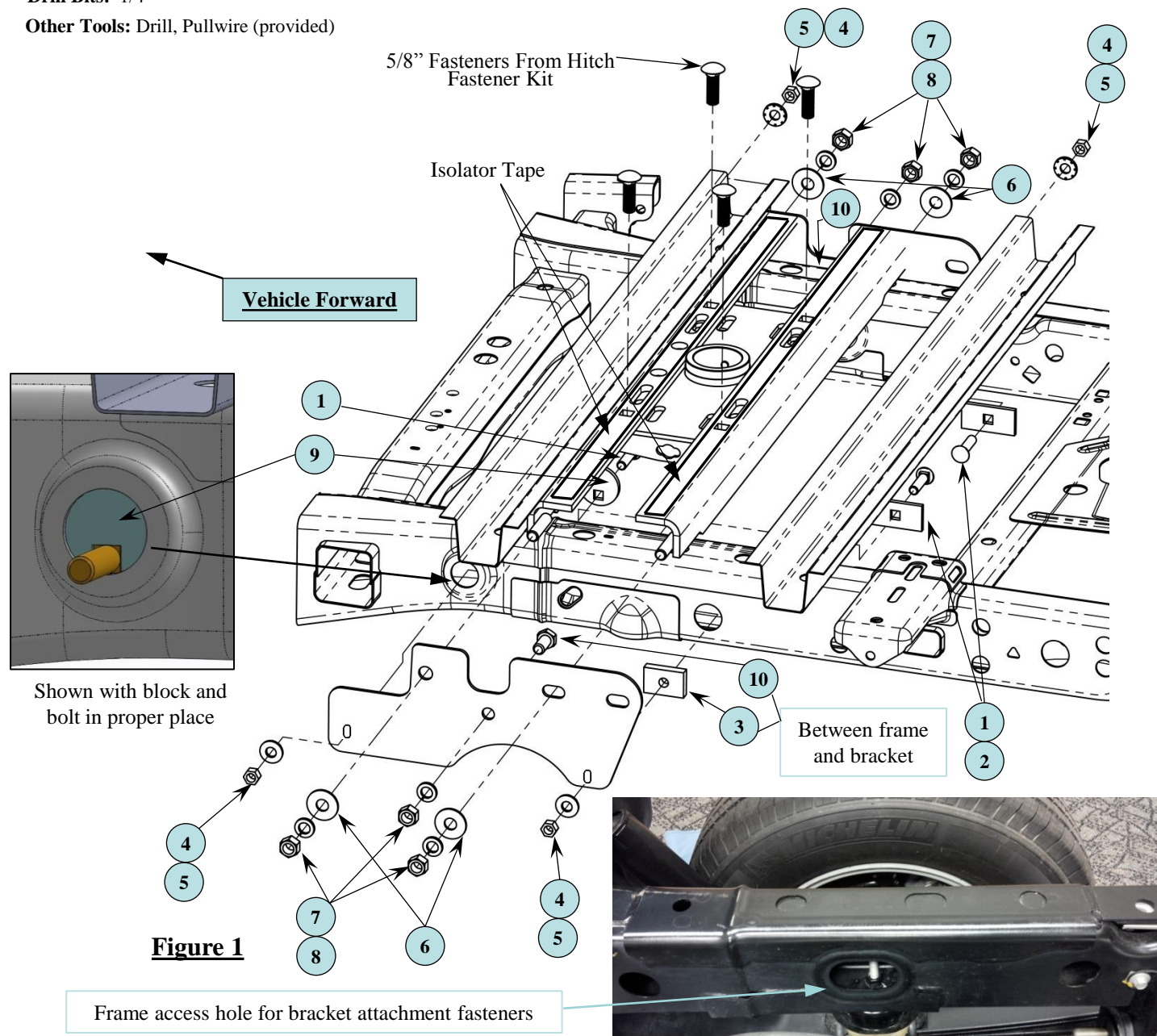


Figure 1

1	Qty. (4)	Carriage Bolt, 1/2-13 X 2.00 Gr5	6	Qty. (4)	Flat Washer, 5/8
2	Qty. (2)	Block, 1/4 X 1.50 x 3.00	7	Qty. (6)	Lock Washer, 5/8
3	Qty. (2)	Block, 1/2 x 1.50 x 2.25	8	Qty. (6)	Hex Nut, 5/8
4	Qty. (4)	Conical Washer, 1/2	9	Qty. (2)	Circle Block
5	Qty. (4)	Hex Nut, 1/2	10	Qty. (2)	Hex Bolt, 5/8-11 x 1.25 Gr5

Installation Instructions

Part Numbers:

HIDE-A-GOOSE

4491

Ford F-150

NOTES:

- This section of instructions refers to installing the 9465 or 9475 head only.
- Always make sure the ball is fully locked before towing.
- Keep the ball and ball sleeve well lubricated.
- Periodically re-torque all the hitch fasteners.
- Check ball, hitch coupler, safety chains and other connections for proper operation every time you tow.

Warning:

- ❖ The tow vehicle manufacturers recommended towing capacities should **UNDER NO CIRCUMSTANCES** be exceeded.
- ❖ Check for adequate clearance between the gooseneck trailer and the rear of the cab and the rear of the truck box before installing hitch.
- ❖ All trucks have fuel lines, brake lines and electrical wiring located along the vehicle frame where the rail kit installs. Carefully examine the location of fuel lines, brake lines and electrical wires before installation and be certain not to damage these when positioning the hitch components. Be careful when drilling holes, cutting sheet metal and tightening fasteners as to not limit the integrity of these systems.

Hide-A-Goose Only – Drilled hole in bed location.

5.5', 6.5', and 8' Box – 43-1/8 inches

Hide-A-Goose Installation Instructions

When installing the 9465/9475 Hide-A-Goose hitch, a hole must be drilled in the bed of the truck. Mark and drill a 1/4 inch hole **43-1/8 inches (5.5', 6.6', or 8' box)** from the rear of the bed and centered between the wheel wells. Using a hole saw, enlarge the pilot hole to the final diameter. Refer to the 9465/9475 Hide-A-Goose hitch instruction sheet for hole size. Prime and paint raw metal edges.

1. Slide the forward and rearward cross members between the frame rail and the bed of the vehicle as shown in Figure 2. The forward cross member has (2) additional hole, see figure 1.
2. From underneath the vehicle, insert carriage bolts into the top square holes of the cross members. Apply isolator strip to the top side of cross member and bolt heads. Cut isolator strip to length as needed.
3. Loosely install 9465/9475 head to position the rails (refer to 9465/9475 instruction sheet for head mounting and installation).
4. **Center spacer** - install 5/8-11 x 1.25 bolts, lock washer and nuts (item 7,8, and 10) in frame bracket as shown. When installed on truck, the head of this bolt will be next to the frame and act like a spacer between frame and bracket. Caution, this will now make the brackets right-hand and left-hand.
5. Install the hitch frame brackets by aligning the threaded studs on the ends of cross members to the inner slots of the brackets. Loosely install the 5/8" flat washers, lock washers, and hex nuts to the threaded studs.
6. **Frame mounting** – One side at a time, slide block (item 3) in place and use the pull wires to insert the 1/2" carriage bolt and blocks into the mounting bracket location through the large slot on the inside of the frame. Take special note on orientation of the round block of the front frame mount. There is a hole on the inside of the frame that will allow you to check for proper placement of the block. Loosely install the 1/2" conical tooth lock washer and hex nuts to the frame bracket.
7. Align the sleeve of the Hide-A-Goose hitch with the hole drilled in the vehicle bed, and torque the hitch fasteners to the cross members to 212 ft.-lb. (287 N-m).
8. Torque the 5/8-11 GR5 fasteners that attach the cross members to the brackets to 150 ft.-lb. (203 N-m).
9. Torque the 1/2-13 GR5 fasteners that attach the brackets to the frame rail to 75 ft.-lb. (102 N-m).
10. Refer to 9465/9475 instructions to finish installation.

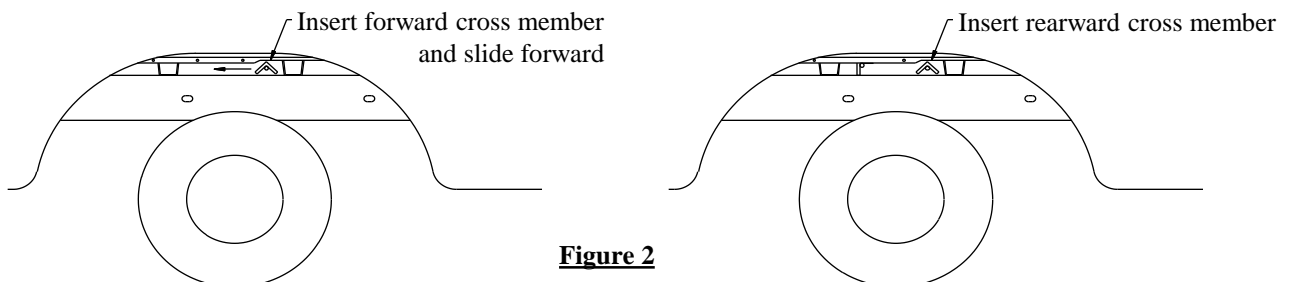


Figure 2

Installation Instructions

GOOSENECK MOUNTING KIT

Part Numbers:
4491

Ford F-150

Equipment Required:

- Fastener Kit:** 4491F
- Wrenches:** 13mm, 3/4, 7/8, 15/16
- Drill Bits:** 1/4", 5/8"
- Other Tools:** Drill, saber saw, Pullwire (provided)

WARNING: Under no circumstances do we recommend exceeding the towing vehicle manufacturers recommended vehicle towing capacity.

6300/630044/8339 Gooseneck Installation

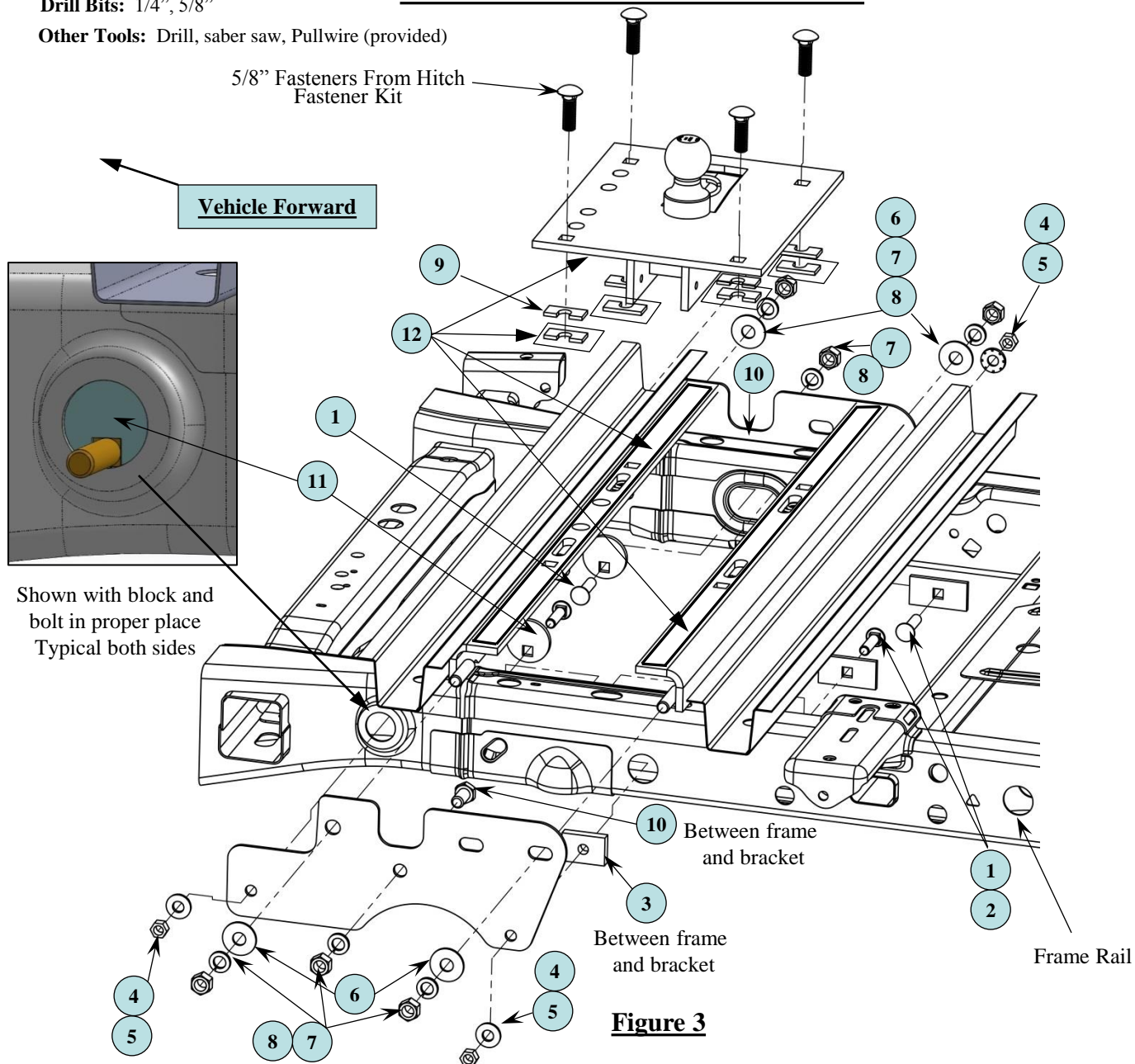


Figure 3

1	Qty. (4)	Carriage Bolt, 1/2-13 X 1.75 Gr5	7	Qty. (6)	Lock Washer, 5/8
2	Qty. (2)	Block, 1/4 X 1.50 x 3.00	8	Qty. (6)	Hex Nut, 5/8
3	Qty. (2)	Block, 1/2 x 1.50 x 2,25	9	Qty. (8)	Shim, 3/16 X 1.00 X 2.00
4	Qty. (4)	Lock Washer, 1/2	10	Qty. (2)	Hex Bolt, 5/8-11 x 1.25 Gr5
5	Qty. (4)	Hex Nut, 1/2	11	Qty. (2)	Block, 1/4" x 2.25 Diameter
6	Qty. (4)	Flat Washer, 5/8	12	7 Places	Isolator Tape

Installation Instructions

HIDE-A-GOOSE

Ford F-150

Part Numbers:

4491

NOTES:

- This section of instructions refers to installing the 6300 or 8339 head only.
- Always make sure the ball is fully locked before towing.
- Keep the ball and ball pocket well lubricated.
- Periodically re-torque all the hitch fasteners.
- Check ball, hitch coupler, safety chains and other connections for proper operation every time you tow.

Warning:

- ❖ The tow vehicle manufacturers recommended towing capacities should **UNDER NO CIRCUMSTANCES** be exceeded.
- ❖ Check for adequate clearance between the gooseneck trailer and the rear of the cab and the rear of the truck box before installing hitch.
- ❖ All trucks have fuel lines, brake lines and electrical wiring located along the vehicle frame where the rail kit installs. Carefully examine the location of fuel lines, brake lines and electrical wires before installation and be certain not to damage these when positioning the hitch components. Be careful when drilling holes, cutting sheet metal and tightening fasteners as to not limit the integrity of these systems.

6300/630044 Remove-A-Ball and 8339 Fold Down Gooseneck Installation

1. Apply isolator tape to the top side of cross member (angles) cut to length. Cut the tape over the holes in the cross member rails for bolts to pass through. Cut the third isolator tape and install it around the bottom perimeter of the gooseneck plate. Use the scrap lengths of the isolator strip on the 4 shims (Item 9), that are in contact with the truck bed, trim as required. The isolator tape is to separate steel from aluminum.
2. Install 5/8-11 x 1.25 bolts, lock washer and nuts (Item 7,8, and 10) in frame bracket as shown. When installed on truck, the head of this bolt will be next to the frame and act like a spacer between frame and bracket. Caution, this will now make the brackets right-hand and left-hand.
3. Slide the forward and rearward cross members between the frame rail and the bed of the vehicle as shown in Figure 5. The forward cross member has (2) additional holes centered between the long slots.
4. Install the hitch frame brackets by aligning the threaded studs on the ends of cross members to the outer set of slots of the brackets. See figure 3. Loosely install the 5/8" flat washers, lock washers, and hex nuts to the threaded studs.
5. **Frame mounting** – One side at a time, slide block (item 3) in place and use the pull wires to insert the 1/2" carriage bolt and blocks into the mounting bracket location through the large slot on the inside of the frame. Take special note on orientation of the round block of the front frame mount. There is a hole on the inside of the frame that will allow you to check for proper placement of the block. Loosely install the 1/2" conical tooth lock washer and hex nuts to the frame bracket. Repeat on other side. See figure 3.
6. With the forward cross member in position, torque the 5/8-11 GR5 fasteners that attach the forward cross member to the brackets to 150 ft.-lb. (203 N-m). Torque the 1/2-13 GR5 fasteners that attach the brackets to the vehicle frame rails to 75 ft.-lb. (102 N-m).

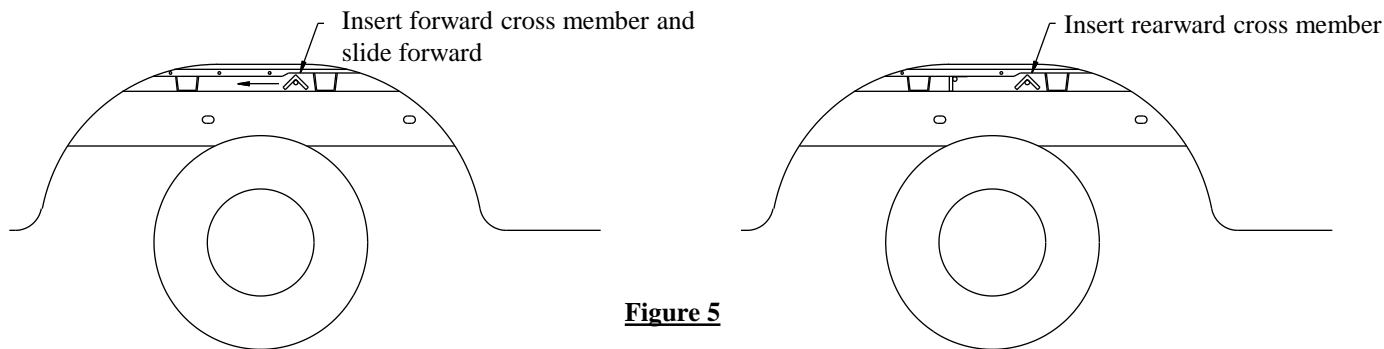
Installation Instructions

Gooseneck Mounting Kit

Ford F-150

Part Numbers:

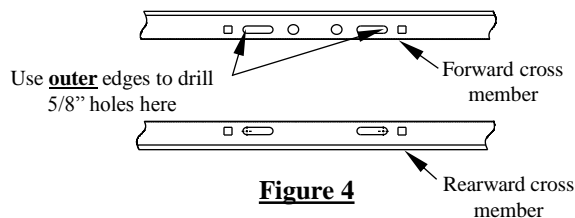
4491



WARNING The fuel tank and/or other vehicle components are located below some of the holes. A wood or metal shield must be placed between the frame and the fuel tank to prevent puncturing the fuel tank when the drill breaks through the bed.

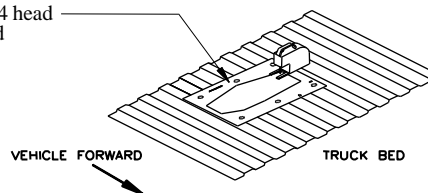
- For **6300/630044 & 8339** use **outer** edges of the long slots in the forward cross member as a template to drill 5/8" diameter holes through the truck bed as shown in Figure 4. Not all holes can be drilled from under the vehicle, but will be done later from inside the bed. Prime and paint raw metal.
- Align the holes on the template (provided with gooseneck hitch) with the hole previously drilled through the bed. Be sure that the template is properly oriented toward the front of the vehicle. Center punch the holes that will be use to cut the opening in the bed. If the vehicle is equipped with a bed liner, a section of the bed liner must be cut away so that the gooseneck hitch can contact the bed corrugations.

6300/630044/8339 **Hole Locations**



Template p/n 5978 for use with 6300/630044 head
Template p/n 114234 for use with 8339 head

A durable and reusable stainless steel templates is available. A time saver for cutting bed liner and bed.
Template p/n 6425 for use with 8339 head



- Drill 1/4" pilot holes (size will depend on width of blade in saber saw).
- Cut out the truck bed. File edges, prime, and paint as needed.
- Install hitch into opening.
- Before installing the forward 5/8" carriage bolts through the hitch, two U-block shims for each bolt (Part Number 5971) must be placed between the hitch and the bed **or** the bed and cross member, which ever gives best support to the bolts. These shims are necessary to prevent the bed corrugations from collapsing when the bolts are tightened. Shims with isolator tape towards bed. See figure 6.
- Using the hitch as a guide to drill the 5/8" diameter mounting holes through the bed and aligning with the slots in the rearward cross member. Also drill 5/8" diameter U-Bolt holes through the bed using the holes in the hitch as a template. Prime and paint raw metal.

Installation Instructions

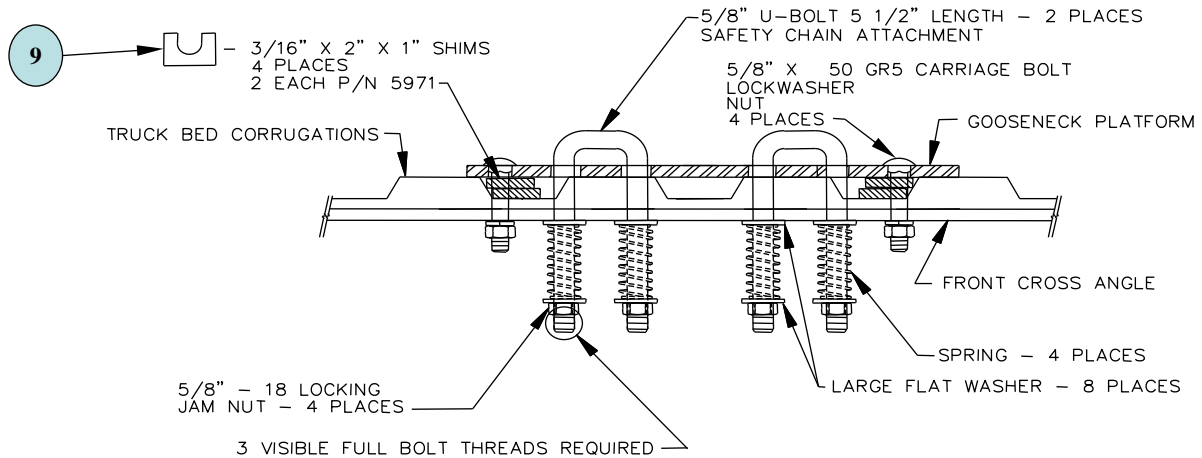
Gooseneck Mounting Kit

Ford F-150

Part Numbers:

4491

14. Align the rearward cross member with 5/8" diameter drilled holes.



15. Install the 5/8" X 2.50 GR5 carriage bolts through the hitch, shims and cross members. Secure with lock washers and nuts. Torque nuts to 150 Ft.-Lb.
16. **For 6300/630044 and 8339 Installations:** Install the (2) U-Bolts through the hitch and from under the vehicle install large flat washer over the U-Bolt followed by a spring, another large flat washer and secure with a thin 5/8" jam nut. Repeat for other legs of the U-Bolts. The 5/8" jam nuts are tightened until 3 threads are visible past the bottom of the jam nut.
17. Torque the 5/8 hex nuts, lock washers, and flat washer that attach the rearward cross member to the brackets to 150 ft.-lb. (203 N-m).

LIMITED LIFETIME WARRANTY

Part No: _____

Date of Original Purchase: _____

Original Owner: _____

Original Installer: _____

1. Limited Lifetime Warranty ("Warranty"). Cequent Performance Products, Inc. ("We" or "Us") warrants to the original consumer purchaser only ("You") that the product will be free from material defects in both material and workmanship, ordinary wear and tear excepted; provided that installation and use of the product is in accordance with product instructions. There are no other warranties, express or implied, including the warranty of merchantability or fitness for a particular purpose. This warranty is not transferable.

2. Limitations on the Warranty. This Warranty does not cover: (a) normal wear and tear; (b) damage through abuse, neglect, misuse, or as a result of any accident or in any other manner; (c) damage from misapplication, overloading, or improper installation; (d) improper maintenance and repair; and (e) product alteration in any manner by anyone other than Us, with the sole exception of alterations made pursuant to product instructions and in a workmanlike manner.

3. Obligations of Purchaser. To make a Warranty claim, contact Us, at our principal address of 47912 Halyard Dr. Suite 100, Plymouth, MI 48170, 1-800-632-3290, identify the product by model number, and follow the claim instructions that will be provided. Any returned product that is replaced by Us becomes our property. You will be responsible for return shipping costs. Please retain your purchase receipt to verify date of purchase and that You are the original consumer purchaser. The product and the purchase receipt must be provided to Us in order to process Your Warranty claim.

4. Remedy Limits. Product replacement is Your sole remedy under this Warranty. We shall not be liable for service or labor charges incurred in removing or replacing a product or any incidental or consequential damages of any kind.

5. Assumption of Risk. You acknowledge and agree that any use of the product for any purpose other than the specified use(s) stated in the product instructions is at Your own risk.

6. Governing Law. This Warranty gives You specific legal rights, and You also may have other rights which vary from state to state. This Warranty is governed by the laws of the State of Michigan, without regard to rules pertaining to conflicts of law. The state courts located in Oakland County, Michigan shall have exclusive jurisdiction for any disputes relating to this Warranty.

Instrucciones de instalación

KIT DE MONTAJE DE CUELLO DE GANSO

Ford F-150

Números de partes:

4491

ADVERTENCIA: Bajo ninguna circunstancia recomendamos superar la capacidad de remolque del vehículo recomendada por el fabricante del vehículo de remolque.

Equipo necesario:

Kit de tornillos: 4491F

Llaves: 3/4, 7/8, 15/16

Brocas de taladro: 1/4"

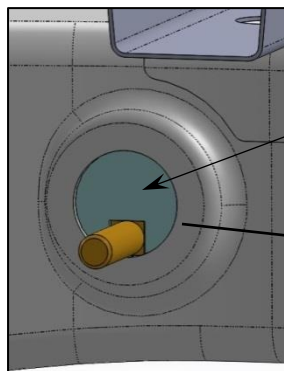
Otras herramientas: Taladro, alambre de halar (provisto)

Instalación de Hide-A-Goose 9465/9475 (enganche oculto)

Fijadores de 5/8" del kit de fijadores del enganche

Cinta Aislante

Frente del vehículo



Se muestra con el bloque y el perno en el lugar correcto

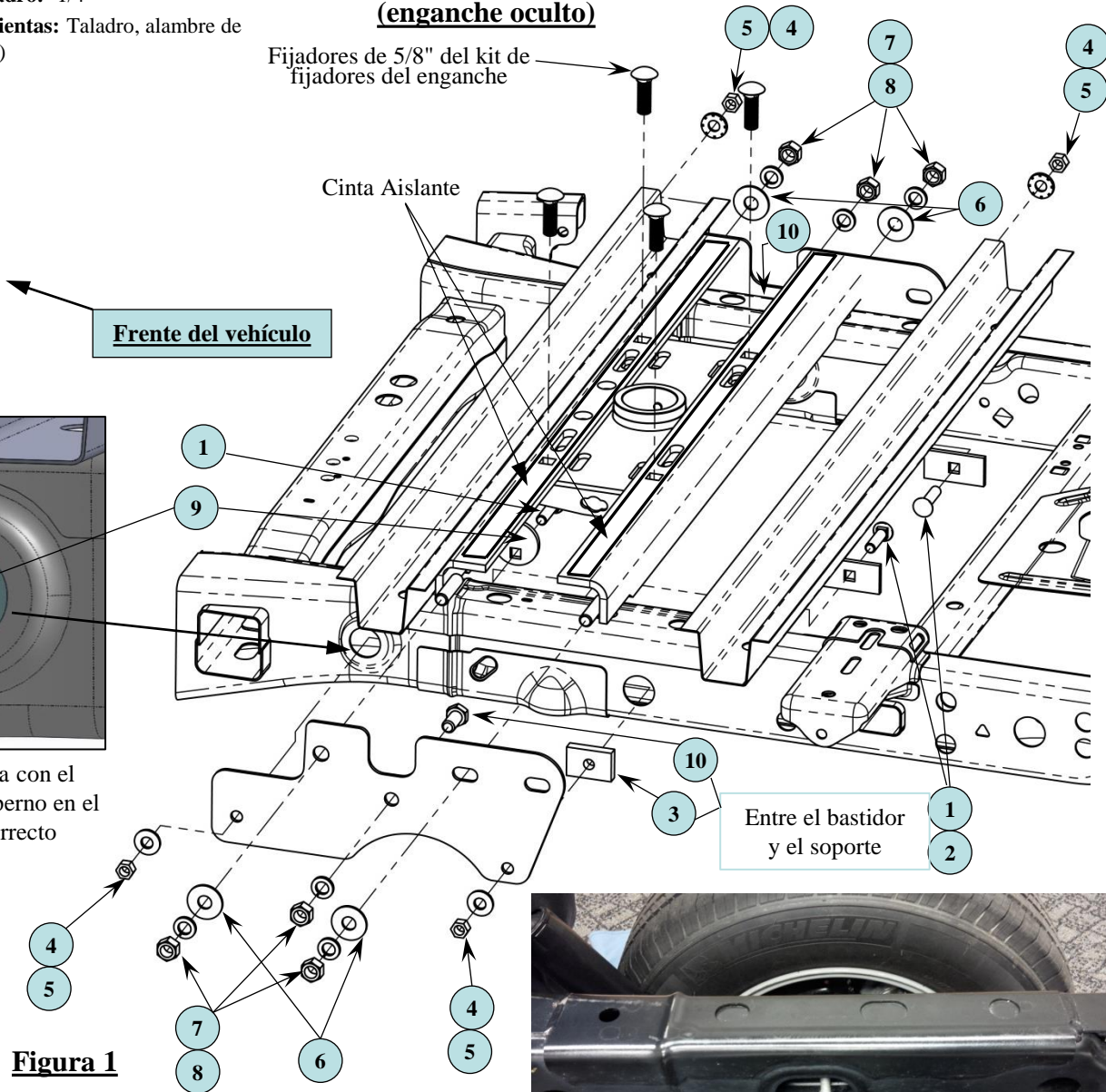


Figura 1

Orificio de acceso al bastidor para fijadores de unión del soporte



1	Cant. (4)	Perno de carruaje, 1/2-13 x 2.00 Gr5	6	Cant. (4)	Arandela plana, 5/8
2	Cant. (2)	Bloque, 1/4 X 1.50 X 3.00	7	Cant. (6)	Arandela de bloqueo, 5/8
3	Cant. (2)	Bloque, 1/2 X 1.50 X 2.25	8	Cant. (6)	Tuerca hexagonal, 5/8
4	Cant. (4)	Arandela cónica dentada de seguridad, 1/2	9	Cant. (2)	Bloque, 1/4 X 2.25 de diámetro
5	Cant. (4)	Tuerca hexagonal, 1/2	10	Cant. (2)	Perno hexagonal, 5/8-11 x 1.25 Gr5

Instrucciones de instalación

HIDE-A-GOOSE (enganche oculto)

Ford F-150

Números de partes:

4491

NOTAS:

- Esta sección de instrucciones se refiere a la instalación del cabezal 9465 o 9475 únicamente.
- Asegúrese siempre de que la esfera esté totalmente bloqueada antes de remolcar.
- Mantenga la esfera y el manguito de la esfera bien lubricados.
- Periódicamente vuelva a apretar todos los fijadores del enganche.
- Revise la esfera, el acoplador del enganche, las cadenas de seguridad y otras conexiones para una operación adecuada en cada remolque.

Advertencia:

- ❖ **Los fabricantes de vehículos de remolque recomiendan que **BAJO NINGUNA CIRCUNSTANCIA** se excedan las capacidades de remolque.**
- ❖ **Revise que haya espacio adecuado antes el remolque cuello de ganso y la parte posterior de la cabina y la parte posterior de la caja del vehículo antes de instalar el enganche.**
- ❖ **Todos los vehículos tienen líneas de combustibles, líneas de frenos y cables eléctricos localizados a lo largo del bastidor del vehículo donde se instala el kit de largueros. Revise con cuidado la ubicación de las líneas de combustible, las líneas de los frenos y los cables eléctricos antes de instalar y cerciórese de no dañarlos cuando coloque los componentes del enganche. Tenga cuidado al perforar orificios, cortar el metal laminado y apretar los fijadores de manera que no se limite la integridad de estos sistemas.**

Hide-A-Goose (enganche oculto) únicamente - Orificio perforado en la cama.

Caja de 5'-6", 6'-6", y 8' - 43-1/8 pulgadas

Instrucciones de instalación del Hide-A-Goose (enganche oculto)

Al instalar el enganche oculto 9465/9475 Hide-A-Goose, se debe perforar un orificio en la cama del vehículo. Marque y perforo un orificio de 1/4 de pulgada **43-1/8 pulgadas (caja de 5'-6", 6'-6", o 8')** desde la parte trasera de la cama y centrado entre los receptáculos de las ruedas. Usando una sierra de copa, agrande el orificio piloto al diámetro final. Consulte la hoja de instrucciones del enganche oculto 9465/9475 Hide-A-Goose para el tamaño del orificio. Cubra con base y pinte los bordes de metal descubierto.

1. Deslice los travesaños delantero y trasero entre el larguero del bastidor y la cama del vehículo como se muestra en la Figura 2. El travesaño delantero tiene (2) orificios adicionales centrados entre las ranuras grandes.
2. Desde debajo del vehículo, inserte los pernos de carruaje en los orificios cuadrados superiores de los travesaños. Coloque cinta aislante en la parte superior del travesaño y en las cabezas de los pernos. Corte la cinta a la longitud del travesaño.
3. Sin apretar, instale el cabezal 9465/9475 para colocar los largueros (consulte la hoja de instrucciones del 9465/9475 para la instalación del cabezal). A veces puede ser más fácil hacer el paso 6 y 7 primero y luego instalar el 9465/9475.
4. **Espaciador central:** Instale los pernos 5/8-11 x 1.25, arandelas de seguridad y tuercas (piezas 7,8 y 10) en el soporte del bastidor como se muestra. Cuando se instala en el vehículo, la cabeza de este perno estará al lado del bastidor y actuará como un espaciador entre el bastidor y el soporte. Precaución, esto hará ahora que los soportes estén orientados a la derecha o izquierda.
5. Instale los soportes del bastidor del enganche al alinear los montantes roscados en los extremos de los travesaños con las ranuras interiores de los soportes. Sin apretar, instale la arandelas planas de 5/8", arandelas de seguridad y tuercas hexagonales en los montantes roscados.
6. **Montaje del bastidor:** Un lado a la vez, deslice el bloque (pieza 3) en su lugar y use los alambres de halar para insertar el perno de carruaje de 1/2" y los bloques en la ubicación del soporte de montaje a través de la ranura grande en el interior del bastidor. Preste especial atención a la orientación del bloque redondo en el montaje delantero del bastidor. Hay un orificio en la parte interior del bastidor que le permitirá comprobar la colocación correcta del bloque. Sin apretar, instale la arandela cónica de 1/2" y la arandela de seguridad dentada y tuercas hexagonales en el soporte del bastidor.
7. Alinee el manguito del enganche Hide-A-Goose con el orificio perforado en la cama del vehículo, y apriete los fijadores del enganche a los travesaños a 212 libras-pie (287 Nm).
8. Apriete los fijadores de 5/8-11 GR5 que sujetan los travesaños a los soportes a 150 libras-pie (203 Nm).
9. Apriete los fijadores de 1/2-13 GR5 que sujetan los soportes al larguero del bastidor a 75 libras-pie (102 Nm).
10. Consulte las instrucciones del 9465/9475 para finalizar la instalación.

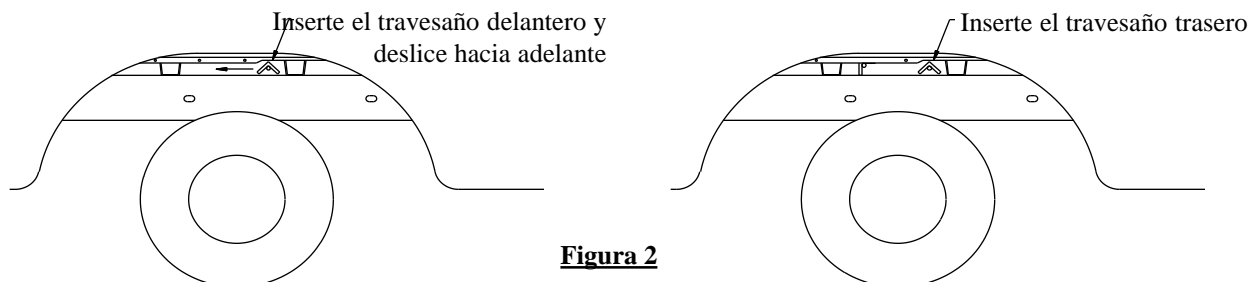


Figura 2

Instrucciones de instalación

KIT DE MONTAJE DE CUELLO DE GANSO

Números de partes:

4491

Ford F-150

Equipo necesario:

Kit de tornillos: 4491F

Llaves: 13 mm, 3/4, 7/8, 15/16

Brocas de taladro: 1/4", 5/8"

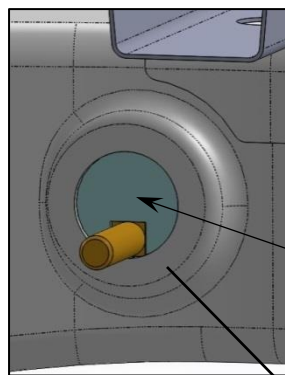
Otras herramientas: Taladro, sierra sable, alambre de halar (suministrado)

ADVERTENCIA: Bajo ninguna circunstancia recomendamos superar la capacidad de remolque del vehículo recomendada por el fabricante del vehículo de remolque.

Instalación del cuello de ganso 6300/630044/8339

Fijadores de 5/8" del kit de fijadores del enganche

Frente del vehículo



Se muestra con el bloque y el perno en el lugar correcto
Igual en ambos lados

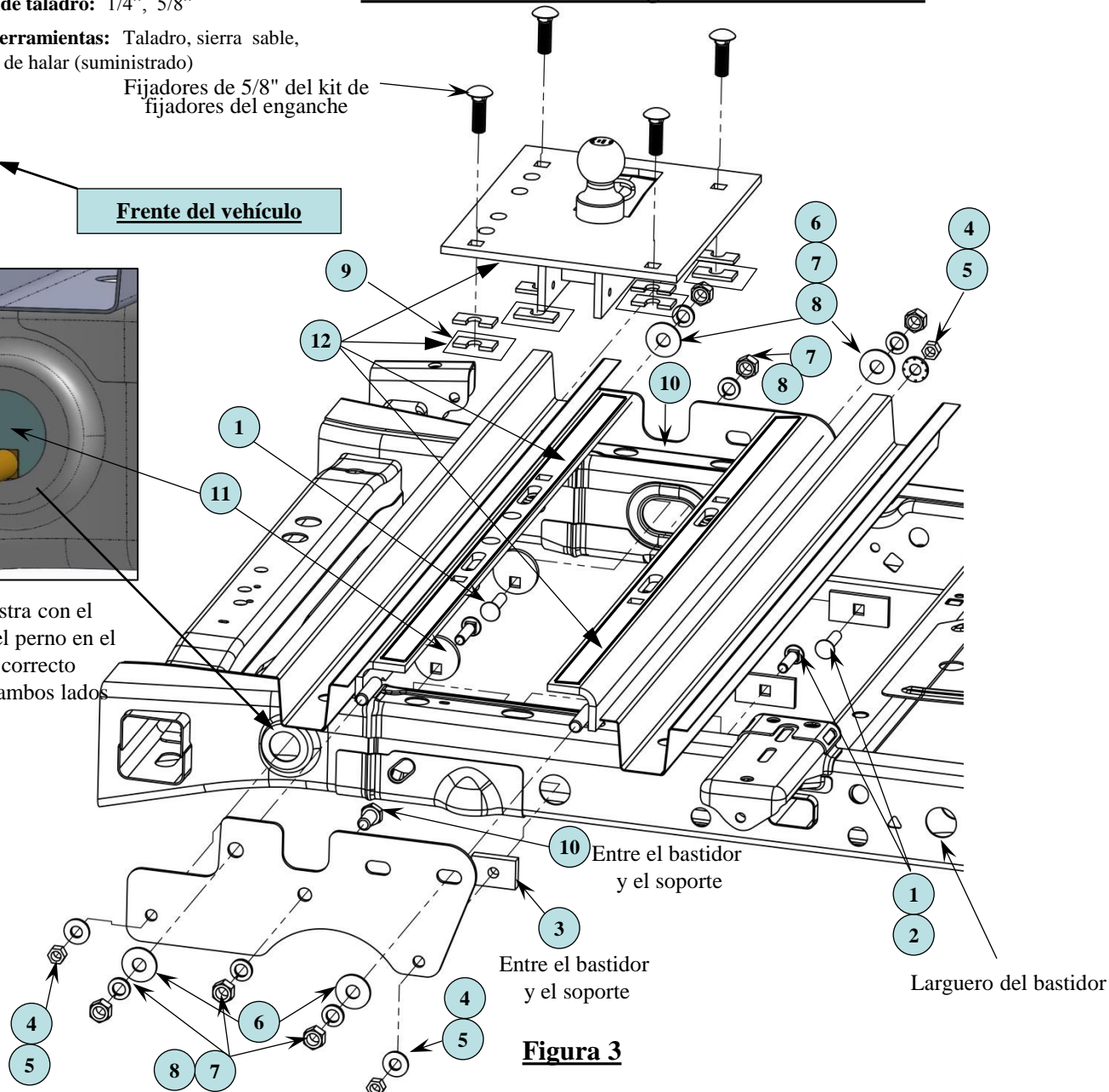


Figura 3

1	Cant. (4)	Perno de carruaje, 1/2-13 x 1.75 Gr5	7	Cant. (6)	Arandela de seguridad, 5/8
2	Cant. (2)	Bloque, 1/4 X 1.50 X 3.00	8	Cant. (6)	Tuerca hexagonal, 5/8
3	Cant. (2)	Bloque, 1/2 X 1.50 X 2.25	9	Cant. (8)	Cuña, 3/16 x 1.00 x 2.00
4	Cant. (4)	Arandela de seguridad, 1/2	10	Cant. (2)	Perno hexagonal, 5/8-11 x 1.25 Gr5
5	Cant. (4)	Tuerca hexagonal, 1/2	11	Cant. (2)	Bloque, 1/4" x 2.25 de diámetro
6	Cant. (4)	Arandela plana, 5/8	12		Cinta Aislante

Instrucciones de instalación

HIDE-A-GOOSE (Enganche oculto)

Ford F-150

Números de partes:

4491

NOTAS:

- Esta sección de instrucciones se refiere a la instalación del cabezal 6300, 630044 o 8339 únicamente.
- Asegúrese siempre de que la esfera esté totalmente bloqueada antes de remolcar.
- Mantenga la esfera y el manguito de la esfera bien lubricados.
- Periódicamente vuelva a apretar todos los fijadores del enganche.
- Revise la esfera, el acoplador del enganche, las cadenas de seguridad y otras conexiones para una operación adecuada cada vez que remolque.

Advertencia:

- ❖ Los fabricantes de vehículos de remolque recomiendan que **BAJO NINGUNA CIRCUNSTANCIA** se excedan las capacidades de remolque.
- ❖ Revise que haya espacio adecuado antes del remolque cuello de ganso y la parte posterior de la cabina y la parte posterior de la caja del vehículo antes de instalar el enganche.
- ❖ Todos los vehículos tienen líneas de combustibles, líneas de frenos y cables eléctricos localizados a lo largo del bastidor del vehículo donde se instala el kit de largueros. Revise con cuidado la ubicación de las líneas de combustible, las líneas de los frenos y los cables eléctricos antes de instalar y cerciórese de no dañarlos cuando coloque los componentes del enganche. Tenga cuidado al perforar orificios, cortar el metal laminado y apretar los fijadores de manera que no se limite la integridad de estos sistemas.

Instalación del Remove-A-Ball 6300/630044 (eliminar esfera) y del cuello de ganso plegable 8339

1. Aplique cinta aislante en la parte superior del travesaño (ángulos) cortada según la longitud y conserve los reductores. Corte la cinta sobre los orificios en los largueros de los travesaños para que los pernos pasen. Corte la tercera cinta aislante e instálela alrededor del perímetro inferior de la placa del cuello de ganso. Instale reductores de cinta aislante en 4 de las 8 cuñas (pieza 9), recorte según sea necesario. Esto es para separar el acero del aluminio.
2. Instale pernos de 5/8-11 x 1.25, arandela de seguridad y tuercas (piezas 7,8 y 10) en el soporte del bastidor como se muestra. Cuando se instala en el vehículo, la cabeza de este perno estará al lado del bastidor y actuará como un espaciador entre el bastidor y el soporte. Precaución, esto hará ahora que los soportes estén orientados a la derecha o izquierda.
3. Deslice los travesaños delantero y trasero entre el larguero del bastidor y la cama del vehículo como se muestra en la Figura 5. El travesaño delantero tiene (2) orificios adicionales centrados entre las ranuras grandes.
4. Instale los soportes del bastidor del enganche al alinear los montantes roscados en los extremos de los travesaños con las ranuras exteriores de los soportes. Ver Figura 3. Instale sin apretar la arandela plana de 5/8" y arandela de seguridad y tuercas hexagonales sobre los montantes roscados.
5. **Montaje del bastidor:** Un lado a la vez, deslice el bloque (pieza 3) en su lugar y use los alambres de halar para insertar el perno de carruaje de 1/2" y los bloques en la ubicación del soporte de montaje a través de la ranura grande en el interior del bastidor. Preste especial atención a la orientación del bloque redondo en el montaje delantero del bastidor. Hay un orificio en la parte interior del bastidor que le permitirá comprobar la colocación correcta del bloque. Instale sin apretar la arandela cónica dentada de seguridad de 1/2" y tuercas hexagonales en el soporte del bastidor. Repita para el otro lado.
6. Con el travesaño delantero en posición, apriete los fijadores de 5/8-11 GR5 que sujetan el travesaño delantero a los soportes a 150 libras-pie (203 Nm). Apriete los fijadores de 1/2-13 GR5 que sujetan los soportes a los largueros del bastidor del vehículo a 75 libras-pie (102 Nm).

Instrucciones de instalación

Kit de montaje del cuello de ganso

Ford F-150

Números de partes:

4491

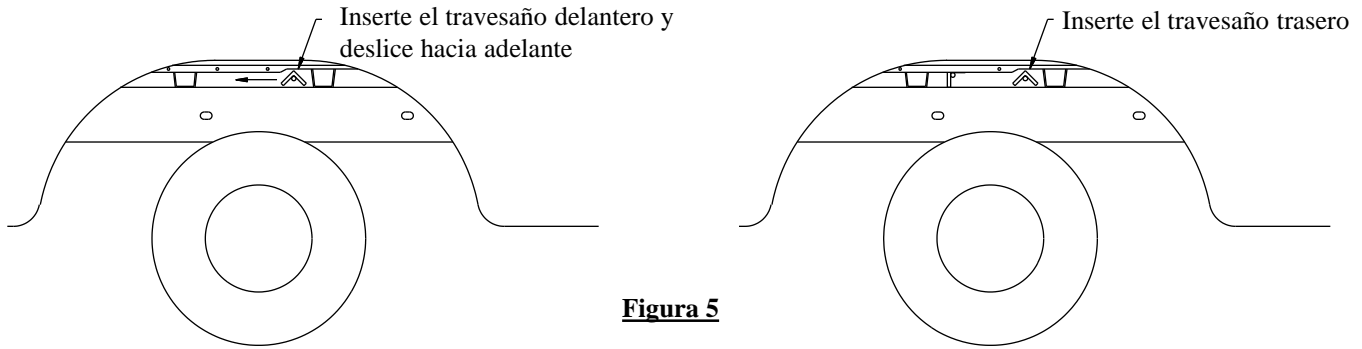


Figura 5

⚠ ADVERTENCIA El tanque de combustible y/u otros componentes del vehículo se encuentran por debajo de algunos de los orificios. Se debe colocar un protector de madera o de metal entre el bastidor y el tanque de combustible para evitar perforar el tanque de combustible cuando el taladro rompa a través de la cama.

7. Para 6300/630044 y 8339 use los bordes **exteriores** de las ranuras largas en el travesaño delantero como una plantilla para perforar orificios de 5/8" de diámetro a través de la cama del vehículo, como se muestra en la Figura 4. No todos los orificios se pueden perforar desde la parte inferior del vehículo, pero se harán más tarde desde el interior de la cama. Cubra con base y pinte el metal descubierto.
8. Alinee los orificios de la plantilla (suministrada con el enganche cuello de ganso) con el orificio previamente taladrado a través de la cama. Asegúrese de que la plantilla esté orientada correctamente hacia la parte delantera del vehículo. Perfore los orificios que se utilizarán para cortar la abertura en la cama. Si la cama del vehículo tiene revestimiento, se debe recortar una sección del revestimiento de la cama de manera que el enganche cuello de ganso entre en contacto con los corrugados de la cama.

6300/8339 Ubicaciones de los orificios

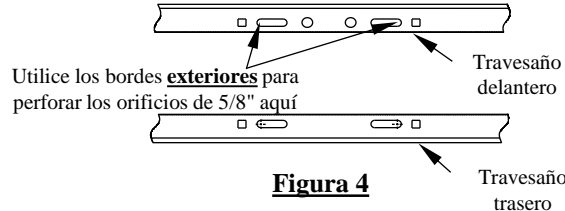
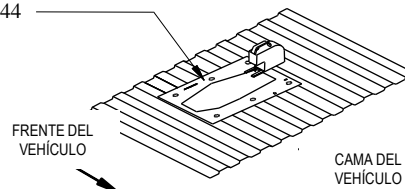


Figura 4

Plantilla n/p 5978 para usar con el cabezal 6300/630044
Plantilla n/p 114234 para usar con el cabezal 8339

También disponemos de plantillas de acero inoxidable durables y reutilizables. Un ahorro de tiempo para el corte de la cama y del revestimiento de la cama.
Plantilla n/p 6425 para usar con el cabezal 8339



9. Perfore orificios piloto de 1/4" (el tamaño dependerá de la anchura de la hoja de la sierra sable).
10. Recorte la cama del vehículo. Lije, cubra y pinte los bordes según sea necesario.
11. Instale el enganche en la abertura.
12. Antes de instalar los pernos de carruaje delanteros de 5/8" a través del enganche, se deben colocar dos cuñas bloque en U (pieza número 5971) entre el enganche y la cama y la cama y el travesaño, que siempre da mejor apoyo a los pernos. Estas cuñas son necesarias para evitar que los corrugados de la cama colapsen cuando se aprietan los pernos. Acuña con cinta aislante en dirección de la cama.
13. Usando el enganche como guía, perfore los orificios de montaje de 5/8" de diámetro a través de la cama y alinee con las ranuras en el travesaño trasero. También perfore orificios para los pernos en U de 5/8" de diámetro a través de la cama usando los orificios en el enganche como plantilla. Cubra con base y pinte el metal descubierto.

Instrucciones de instalación

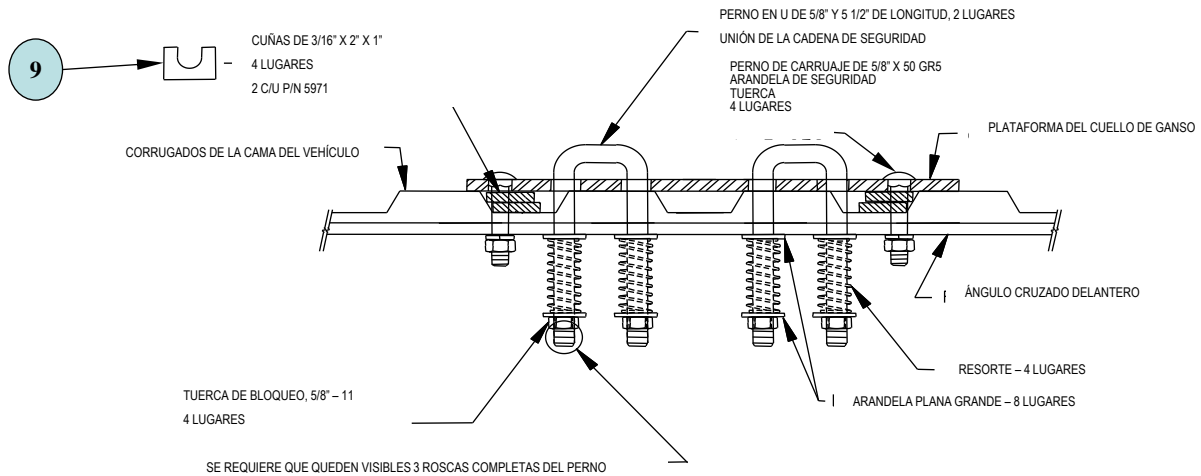
Kit de montaje del cuello de ganso

Ford F-150

Números de partes:

4491

14. Alinee el travesaño trasero con los orificios de 5/8" de diámetro perforados.



15. Instale los pernos de carruaje de 5/8" X 2.50 GR5 a través del enganche, las cuñas y los travesaños. Asegure con arandelas y tuercas. Apriete las tuercas a 150 pies-libras.
16. **Instalación de 6300/630044 y 8339:** Instale los (2) pernos en U a través del enganche y desde debajo del vehículo instale una arandela plana grande sobre el perno en U seguido de un resorte, otra arandela plana grande y asegure con una tuerca de bloqueo delgada de 5/8". Repita para las otras patas de los pernos en U. Las tuercas de bloqueo de 5/8" se aprietan hasta que queden visibles 3 roscas desde la parte inferior.
17. Apriete las tuercas hexagonales de 5/8, arandelas de seguridad y arandela plana que sujetan el travesaño trasero a los soportes a 150 libras-pie (203 Nm).

Instructions d'installation

ENSEMBLE DE MONTAGE

POUR ATTELAGE COL-DE-CYGNE

Ford F-150

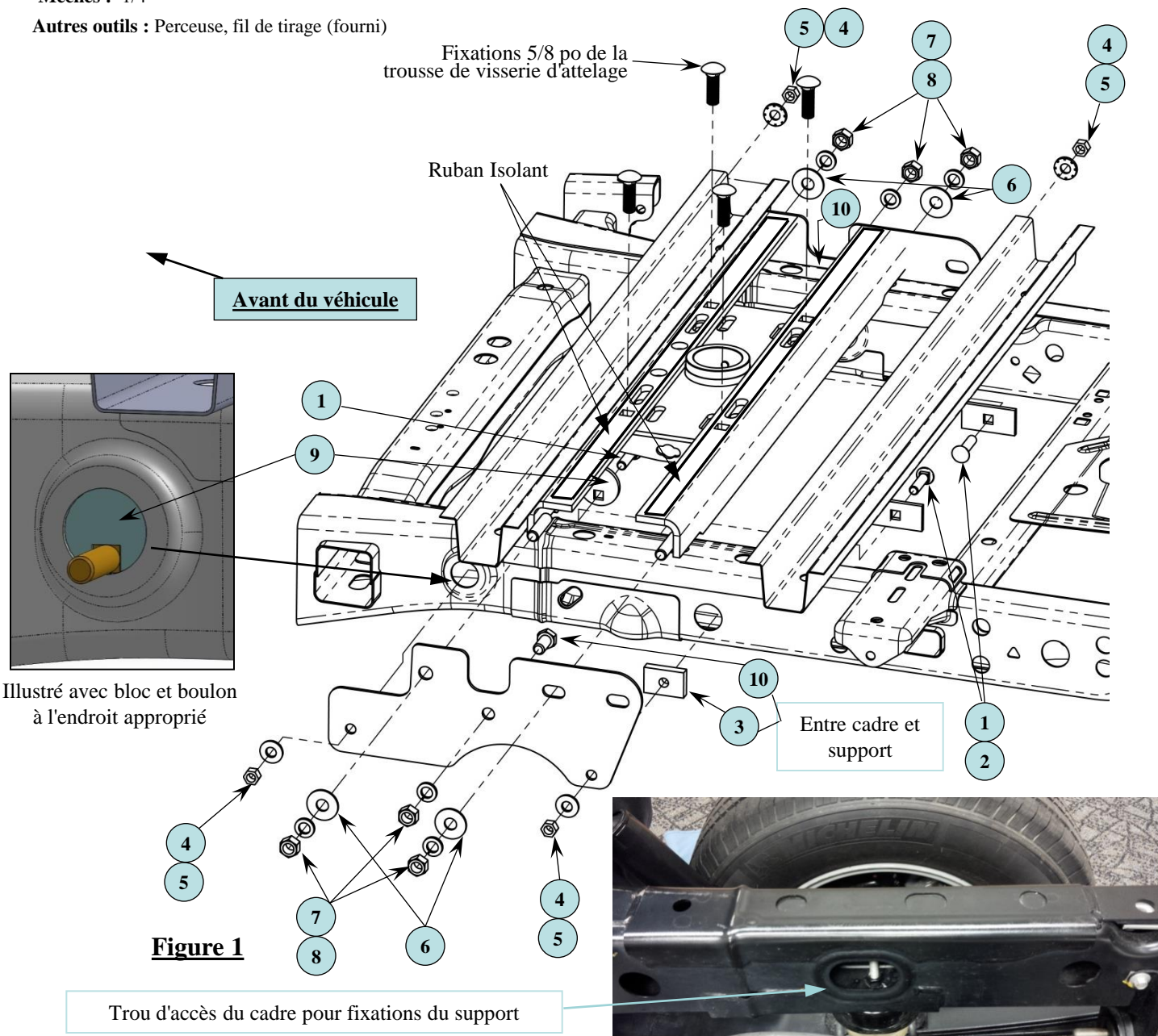
Numéro de pièce :
4491

Équipement requis :

- Visserie : 4491F
- Clés : 3/4, 7/8, 15/16
- Mèches : 1/4"
- Autres outils : Perceuse, fil de tirage (fourni)

AVERTISSEMENT : En aucun cas nous ne recommandons de dépasser la capacité de charge indiquée par le fabricant du véhicule de remorquage.

Installation de l'attelage Hide-A-Goose 9465/9475



1	Qté (4)	Boulon de carrosserie 1/2-13 x 2.00 Gr5	6	Qté (4)	Rondelle plate 5/8"
2	Qté (2)	Bloc 1/4 x 1.50 x 3.00	7	Qté (6)	Rondelle frein 5/8"
3	Qté (2)	Bloc 1/2 x 1.50 x 2.25	8	Qté (6)	Écrou hexagonal 5/8"
4	Qté (4)	Rondelle frein conique dentée 1/2"	9	Qté (2)	Bloc 1/4 x 2.25 diamètre
5	Qté (4)	Écrou hexagonal 1/2"	10	Qté (2)	Boulon hexagonal 5/8-11 x 1.25" Gr5

Instructions d'installation

HIDE-A-GOOSE

Ford F-150

Numéro de pièce :

4491

REMARQUES :

- Cette section des instructions concerne l'installation de la tête 9465 ou 9475 seulement.
- Toujours s'assurer que la boule est engagée à fond avant le remorquage.
- Garder la boule et le logement de boule bien lubrifiés.
- Vérifier périodiquement le couple de serrage spécifié pour la visserie de l'attelage.
- Avant chaque remorquage, vérifier la boule et le coupleur d'attelage, les chaînes de sécurité et les autres connexions pour s'assurer d'un bon fonctionnement.

Avertissement :

- ❖ Les capacités de remorquage spécifiées par les fabricants de véhicules de remorquage ne devraient **EN AUCUN CAS** être dépassées.
- ❖ Avant d'installer l'attelage, vérifier qu'un dégagement adéquat existe entre la remorque à col de cygne et l'arrière de la cabine et l'arrière de la boîte.
- ❖ Tous les camions sont dotés de conduites d'essence, de conduites de freins et de fils électriques situés le long du cadre de châssis où l'ensemble de traverses doit s'installer. Pour ne pas endommager les composants de l'attelage lors de leur mise en place, inspecter attentivement leur emplacement avant l'installation. Agir avec précaution en perçant les trous, découpant la tôle et serrant la visserie afin de ne pas nuire à l'intégrité de ces systèmes.

Hide-A-Goose seulement – Trou percé dans la plateforme.

Caisse 5'-6", 6'-6", et 8' – 43 1/8 pouces

Instructions d'installation du Hide-A-Goose

À l'installation d'un attelage Hide-A-Goose 9465/9475, un trou doit être percé dans la plateforme du véhicule. Marquer et percer un trou de 1/4 po à une distance de **43 1/8 pouces (caisse 5'-6", 6'-6", ou 8')** à partir de l'arrière de la plateforme, centré entre les passages de roues. À l'aide d'une scie-cloche, agrandir le trou de guidage à son diamètre final. Se reporter au feuillet d'instructions de l'attelage Hide-A-Goose 9465/9475 pour connaître le diamètre du trou. Peinturer les bords de métal nu, couche de fond comprise.

1. Glisser les traverses avant et arrière entre les longerons et la plateforme du véhicule, comme illustré à la Figure 2. La traverse avant est munie de deux (2) trous supplémentaires centrés entre les fentes longues.
2. Depuis le dessous du véhicule, insérer les boulons de carrosserie dans les orifices carrés supérieurs des traverses. Appliquer du ruban isolant sur la face supérieure de la traverse et des têtes de boulon. Couper le ruban à la longueur de la traverse.
3. Installer sans trop serrer la tête 9465/9475 afin de positionner les traverses de montage (se reporter au feuillet d'instructions 9465/9475 pour le montage et l'installation de la tête). Parfois il peut être plus facile d'exécuter d'abord les étapes 6 et 7 puis d'installer 9465/9475.
4. **Espaceur central** - Poser les boulons 5/8-11 x 1.25 avec rondelle frein et écrous (arts 7,8 et 10) dans le support de cadre, comme illustré. Une fois le boulon posé sur le véhicule, sa tête sera située juste à côté du cadre et agira comme espaceur entre le cadre et le support. Attention, les supports auront maintenant un sens, droit ou gauche.
5. Poser les supports de cadre en alignant les goujons filetés des extrémités des traverses sur les fentes intérieures des supports. En laissant du jeu, poser la visserie 5/8 po sur les goujons filetés : rondelles plates, rondelles freins et écrous hexagonaux.
6. **Montage sur cadre** – Un côté à la fois, glisser le bloc (art. 3) en place et utiliser les fils de tirage pour insérer le boulon de carrosserie 1/2 po et les blocs au point de fixation du support, à travers la grande fente sur l'intérieur du cadre. Porter attention à l'orientation du bloc rond du montage de cadre avant. Il y a un trou sur l'intérieur du cadre qui permettra de vérifier le positionnement correct du bloc. En laissant du jeu, poser la visserie 1/2 po sur le support de cadre : rondelle frein conique dentée et écrous hexagonaux.
7. Aligner le manchon de l'attelage Hide-A-Goose sur le trou percé dans la plateforme du véhicule, puis serrer la visserie de l'attelage contre les traverses au couple de 212 lb-pi (287 N.m).
8. Serrer la visserie 5/8-11 GR5 (qui fixe les traverses aux supports) au couple de 150 lb-pi (203 N.m).
9. Serrer la visserie 1/2-13 GR5 (qui fixe les traverses aux supports) au couple de 75 lb-pi (102 N.m).
10. Se reporter aux instructions 9465/9475 pour terminer l'installation.

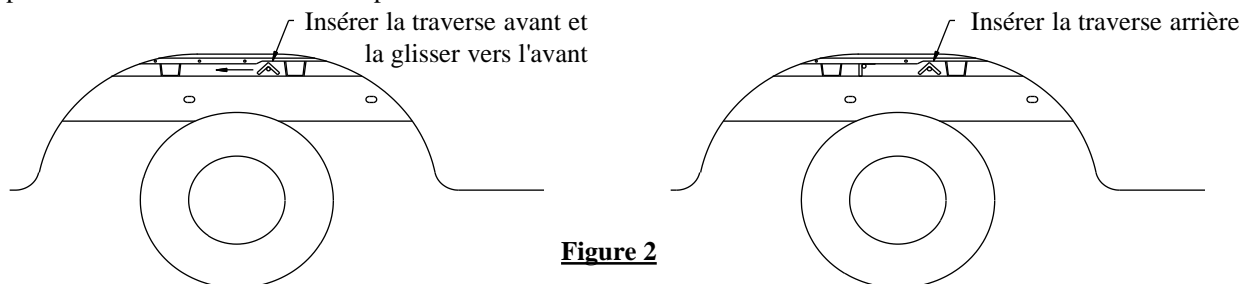


Figure 2

Instructions d'installation

ENSEMBLE DE MONTAGE POUR

ATTELAGE COL-DE-CYGNE

Numéros de pièce :
4491

Ford F-150

Équipement requis :

- Visserie : 4491F
 Clés : 13 mm, 3/4, 7/8, 15/16
 Mèches : 1/4", 5/8"
 Autres outils : Perceuse, scie sauteuse, fil de tirage (fourni).

AVERTISSEMENT : En aucun cas nous ne recommandons de dépasser la capacité de charge indiquée par le fabricant du véhicule de remorquage.

Installation de l'attelage col-de-cygne

6300/630044/8339

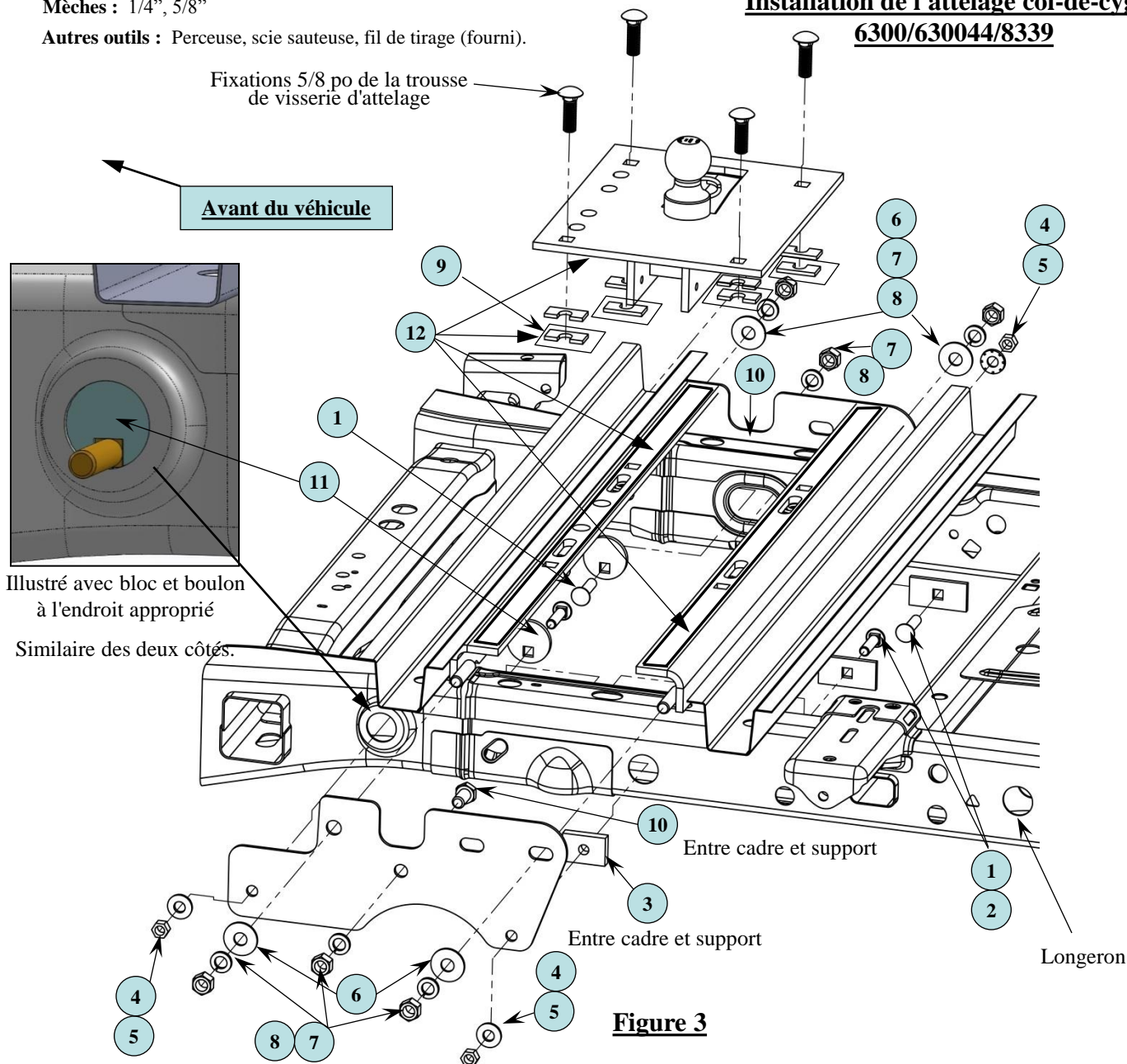


Figure 3

1	Qté (4)	Boulon de carrosserie 1/2-13 x 1.75 Gr5	7	Qté (6)	Rondelle frein 5/8"
2	Qté (2)	Bloc 1/4 x 1.50 x 3.00	8	Qté (6)	Écrou hexagonal 5/8"
3	Qté (2)	Bloc 1/2 x 1.50 x 2,25	9	Qté (8)	Cale, 3/16 X 1.00 X 2.00
4	Qté (4)	Rondelle frein 1/2"	10	Qté (2)	Boulon hexagonal 5/8-11 x 1.25 Gr5
5	Qté (4)	Écrou hexagonal 1/2"	11	Qté (2)	Bloc 1/4" x 2.25 diamètre
6	Qté (4)	Rondelle plate 5/8"	12		Ruban Isolant

Instructions d'installation

HIDE-A-GOOSE

Numéros de pièce :

4491

Ford F-150

REMARQUES :

- Cette section des instructions concerne l'installation de la tête 6300 ou 630044 ou 8339 seulement.
- Toujours s'assurer que la boule est engagée à fond avant le remorquage.
- Garder la boule et le logement de boule bien lubrifiés.
- Vérifier périodiquement le couple de serrage spécifié pour la visserie de l'attelage.
- À chaque remorquage, vérifier la boule et le coupleur d'attelage, les chaînes de sécurité et les autres connexions pour s'assurer du fonctionnement adéquat.

Avertissement :

- ❖ Les capacités de remorquage spécifiées par les fabricants de véhicules de remorquage ne devraient **EN AUCUN CAS** être dépassées.
- ❖ Avant d'installer l'attelage, vérifier qu'un dégagement adéquat existe entre la remorque à col de cygne et l'arrière de la cabine et l'arrière de la boîte.
- ❖ Tous les camions sont dotés de conduites d'essence, de conduites de freins et de fils électriques situés le long du cadre de châssis où l'ensemble de traverses doit s'installer. Pour ne pas endommager les composants de l'attelage lors de leur mise en place, inspecter attentivement leur emplacement avant l'installation. Agir avec précaution en perçant les trous, découpant la tôle et serrant la visserie afin de ne pas nuire à l'intégrité de ces systèmes.

Installation des attelages col-de-cygne Remove-A-Ball 6300/630044 et Fold Down 8339

1. Appliquer du ruban isolant sur la face supérieure de la traverse (angles), couper à longueur et conserver les retailles. Couper le ruban au-dessus des trous des traverses pour permettre le passage des boulons. Couper le troisième ruban isolant et le placer autour du périmètre inférieur de la plaque du col-de-cygne. Poser les retailles du ruban isolant sur 4 des 8 cales (art. 9), découper au besoin. Cette manœuvre sert à séparer l'acier de l'aluminium.
2. Poser les boulons 5/8-11 x 1.25 avec rondelle frein et écrous (arts 7,8 et 10) dans le support de cadre, comme illustré. Une fois le boulon posé sur le véhicule, sa tête sera située juste à côté du cadre et agira comme espaceur entre le cadre et le support. Attention, les supports auront maintenant un sens, droit ou gauche.
3. Glisser les traverses avant et arrière entre les longerons et la plateforme du véhicule, comme illustré à la Figure 5. La traverse avant est munie de deux (2) trous supplémentaires centrés entre les fentes longues.
4. Poser les supports de cadre en alignant les goujons filetés des extrémités des traverses sur le groupe de fentes extérieures des supports. Voir la figure 3. En laissant du jeu, poser la visserie 5/8 po sur les goujons filetés : rondelles plates, rondelles freins et écrous hexagonaux.
5. **Montage sur cadre** – Un côté à la fois, glisser le bloc (art. 3) en place et utiliser les fils de tirage pour insérer le boulon de carrosserie 1/2 po et les blocs au point de fixation du support, à travers la grande fente sur l'intérieur du cadre. Porter attention à l'orientation du bloc rond du montage de cadre avant. Il y a un trou sur l'intérieur du cadre qui permettra de vérifier le positionnement correct du bloc. Poser, en laissant du jeu, la visserie 1/2 po sur le support de cadre : rondelle frein conique dentée et écrous hexagonaux. Répéter du côté opposé.
6. Avec la traverse avant en position, serrer la visserie 5/8-11 GR5 (qui fixe la traverse avant sur les supports) au couple de 150 lb-pi (203 N.m). Serrer la visserie 1/2-13 GR5 (qui fixe les supports aux longerons du véhicule) au couple de 75 lb-pi (102 N.m).

Instructions d'installation

Ensemble de montage pour attelage col-de-cygne

Ford F-150

Numéro de pièce :
4491

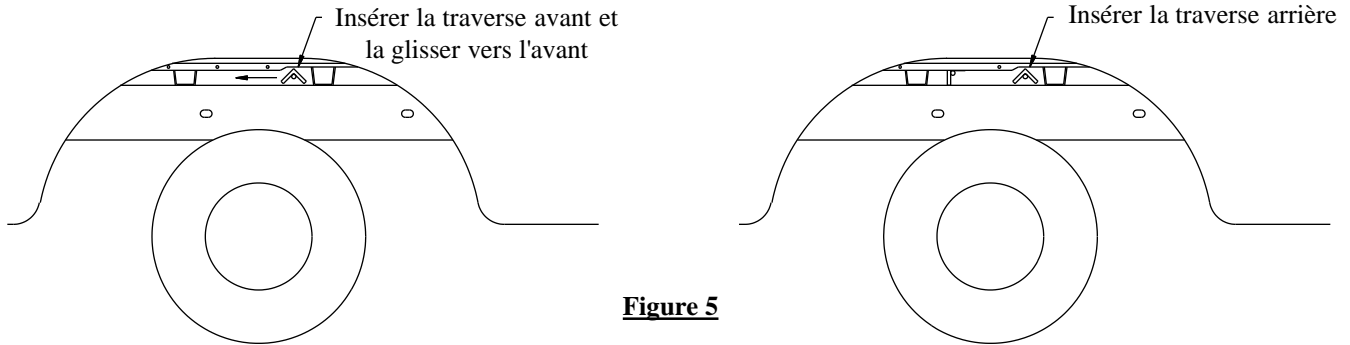


Figure 5

AVERTISSEMENT Le réservoir d'essence et/ou d'autres composants du véhicule sont situés sous certains de ces trous. Un écran de bois ou de métal doit être placé entre le cadre et le réservoir d'essence afin de prévenir le perçage du tuyau du réservoir d'essence au moment où la perceuse traverse le cadre.

- Pour les modèles 6300/630044 et 8339**, utiliser les bords **extérieurs** des fentes longues de la traverse avant comme gabarit pour percer des trous de 5/8 po de diamètre à travers la plateforme du véhicule, comme illustré à la Figure 4. Certains trous ne pourront pas être percés à partir du dessous du camion, ils le seront plus tard à partir de l'intérieur de la plateforme. Peinturer les bords de métal nu, couche de fond comprise.
- Aligner les trous du gabarit (fourni avec l'attelage col-de-cygne) sur le trou précédemment percé dans la plateforme. S'assurer que le gabarit est correctement orienté vers l'avant du véhicule. Marquer au pointeau les trous qui seront utilisés pour découper l'ouverture dans la plateforme. Si le véhicule est équipé d'une doublure de caisse, une section de celle-ci doit être découpée afin que l'attelage col-de-cygne puisse toucher aux ondulations de la plateforme.

6300/630044/8339 **Position des trous**

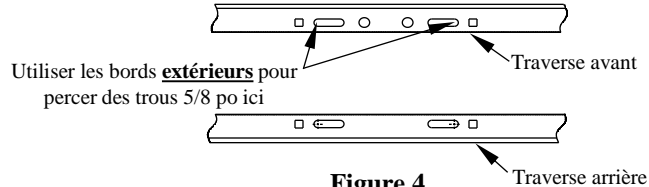
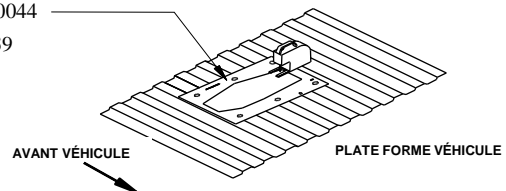


Figure 4

Gabarit 5978 pour utilisation avec tête 6300/630044
Gabarit 114234 pour utilisation avec tête 8339

Des gabarits durables et réutilisables en acier inoxydable sont disponibles. Un économiseur de temps pour découper la doublure de caisse et la plateforme.
Gabarit 6425 pour utilisation avec tête 8339



- Percer des trous de guidage de 1/4 po (la taille dépend de la largeur de lame de la scie sauteuse).
- Découper la plateforme du véhicule. Limer les bords, donner une couche de fond puis peindre au besoin.
- Installer l'attelage dans l'ouverture.
- Avant de poser les boulons de carrosserie 5/8 po avant dans l'attelage, deux cales (blocs en U) / no pièce 5971 doivent être placés entre l'attelage et la plateforme **ou** entre la plateforme et la traverse, selon ce qui procure le meilleur support aux boulons. Ces cales sont nécessaires pour empêcher les ondulations de la plateforme de s'écraser lors du serrage des boulons. Cales avec ruban isolant orienté vers la plateforme.
- En utilisant l'attelage comme guide pour percer des trous de 5/8 po de diamètre dans la plateforme et les aligner sur les fentes de la traverse arrière. Percer aussi des trous de 5/8 po pour boulon en U dans la plateforme en utilisant les trous de l'attelage comme gabarit. Peinturer les bords de métal nu, couche de fond comprise.

Instructions d'installation

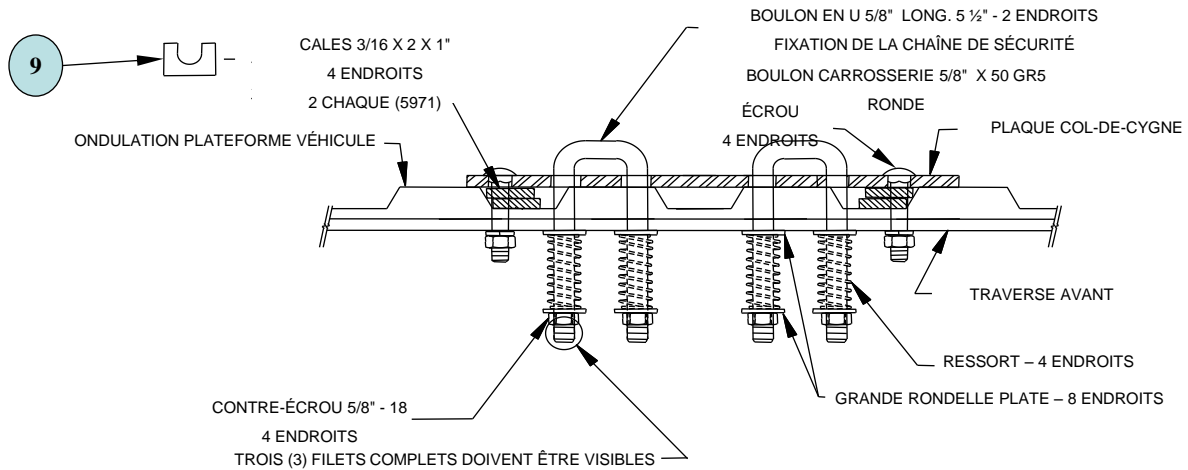
Ensemble de montage pour attelage col-de-cygne

Numéro de pièce :

4491

Ford F-150

14. Aligner la traverse arrière sur les trous percés de 5/8 po.



15. Poser les boulons de carrosserie 5/8" x 2.50 GR5 à travers l'attelage, les cales et les traverses. Fixer à l'aide de rondelles freins et d'écrous. Serrer les écrous au couple de 150 lb-pi.
16. **Pour installations 6300/630044 et 8339 :** Poser les deux (2) boulons en U à travers l'attelage et à partir du dessous du camion, enfiler une grande rondelle plate sur le boulon en U suivie d'un ressort, d'une autre grande rondelle plate, puis fixer le tout à l'aide d'un contre-écrou mince de 5/8 po. Répéter pour les autres branches des boulons en U. Les contre-écrous 5/8 po doivent être serrés jusqu'à ce que trois (3) filets dépassent visiblement de leur partie inférieure.
17. Serrer les écrous hexagonaux 5/8 avec rondelles freins et rondelle plate (qui fixent la traverse arrière aux supports) au couple de 150 lb-pi (203 N.m).