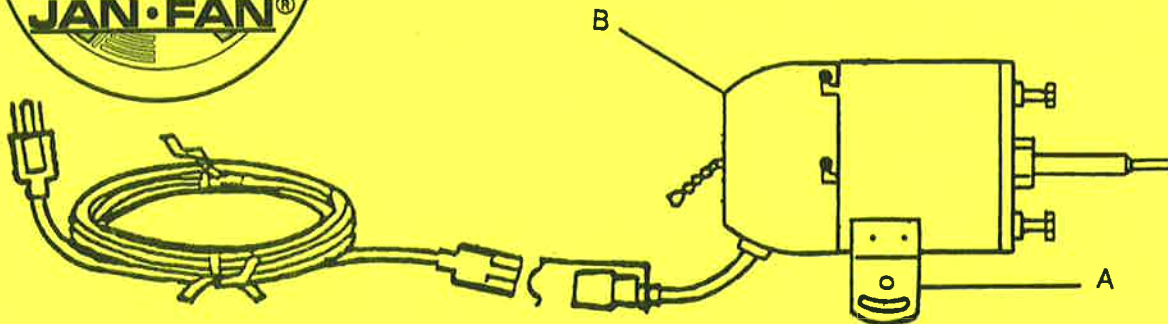


IMPORTANT : READ AND SAVE THESE INSTRUCTIONS



**MODEL # JF-110V-HEM (MOTOR ASSEMBLY)
ASSEMBLY INSTRUCTIONS**



CONTENTS OF THIS CARTON INCLUDE:

QUANTITY	ITEM	DESCRIPTION
1	1/4 HP Motor and Premounted Accessories	Complete with 4 premounted serrated flange nuts, and modular end dome including pigtail cord & pull chain switch.
1	Split Washer	1/2" Std.
1	Bolt, Hex Head	1/2"-13 x 1-1/4"
1	Nut, Hex	1/2"-13
1	Eye Bolt	1/4"-20 x 2-1/4"
2	Serrated Flange Nuts	1/4"-20
1	Allen Wrench	1/8"
1	Extension Cord	18' SJT Cord

ASSEMBLY INSTRUCTIONS

Slide motor mounting bracket (A) onto selected mount. Secure in place with 1/2" bolt, washer and nut. Adjust angle of motor and securely tighten. Add 1/4" - 20 nut to adjustment safety eyebolt with hex side toward eye. Slide through adjustment slot and add 1/4" - 20 nut and tighten securely. For attachment of fan guard unit, see instructions packed in guard/blade carton.

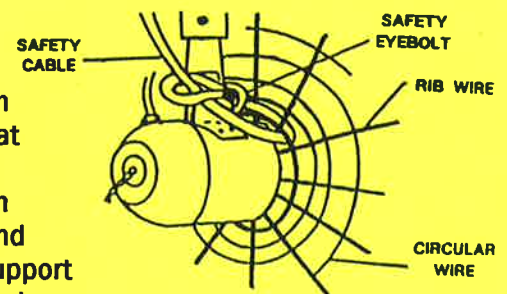
CHANGING MODULAR DOME

The Modular End Dome (B) which houses the capacitor, switch and pigtail cord can be purchased for quick modular replacement of these components. Order Model # JF-MMS-HE.

Patent No. 5,130,587, Foreign Patents

WARNING

A safety cable must be installed properly to help guard against fans falling from any cause. The safety cable should be run through the eyebolt (provided for that purpose), and adjacent heavy circular wire on rear guard and back out around adjacent radial rib wire as illustrated. Then clamp or otherwise fasten to I-beam or other permanent support. For extended verticle drops of fan mounting beyond factory mount length, safely clamp cable tight to the top of the rigid pipe fan support near building structure in order to keep fan support arm from falling (swinging) down in case of arm mounting failure. For optional Safety Cable Kit order Model #JF-SCK.



IMPORTANT : READ AND SAVE THESE INSTRUCTIONS

MODEL # JF-110V-HEM-DCS (MOTOR ASSEMBLY)

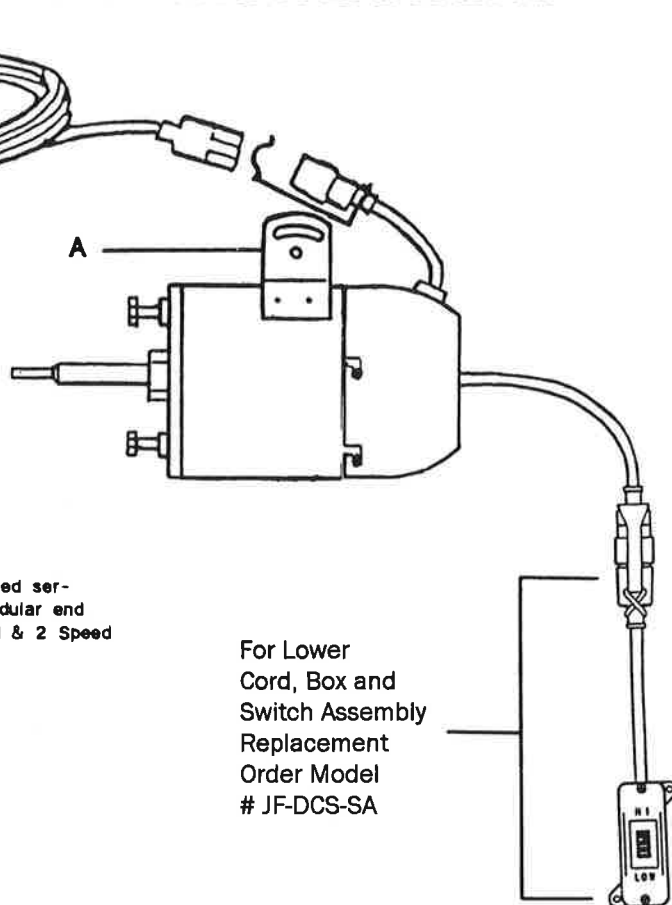


ASSEMBLY INSTRUCTIONS

* To Extend Drop Cord
Length of Remote Switch
Order 3', 6' or 12' Extension Cord.
Model # JF-DCS-EXT 3,
Model # JF-DCS-EXT or
Model # JF-DCS-EXT 12
(Not Shown)

CONTENTS OF THIS CARTON INCLUDE:

QUANTITY	ITEM	DESCRIPTION
1	1/4HP Motor and Premounted Accessories	Complete with 4 premounted serrated flange nuts, and modular end dome including pigtail cord & 2 Speed Drop Cord Switch.
1	Split Washer	1/2" Std.
1	Bolt, Hex Head	1/2"-13 x 1 1/4"
1	Nut, Hex Head	1/2"-13
1	Bolt, Hex Head	1/4"-20 x 1"
1	Serrated Flange Nut	1/4"-20
1	Allen Wrench	1/8"
1	Extension cord	18' SJT Cord



For Lower
Cord, Box and
Switch Assembly
Replacement
Order Model
JF-DCS-SA

ASSEMBLY INSTRUCTIONS

Slide Motor Mounting bracket (A) onto selected mount. Secure in place with 1/2" bolt, washer and nut. Adjust angle of motor and securely tighten.

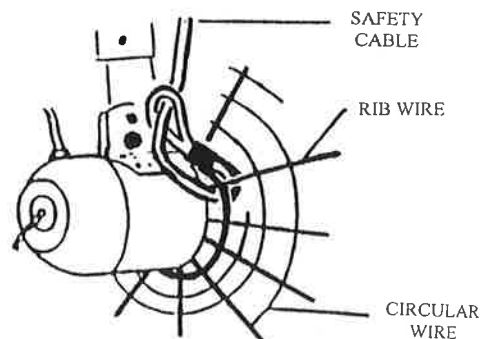
Slide 1/4" - 20 x 1" bolt through adjustment slot and add 1/4" - 20 nut and tighten securely.

For attachment of fan guard unit, see instructions packed in guard/blade carton.

WARNING

A Safety cable must be installed properly to help guard against fans falling from any cause. The safety cable should be run through the heavy circular wire on rear guard near motor and back out around adjacent radial rib wire as illustrated. Then clamp or otherwise fasten to I-beam or other permanent support. For extended vertical drops of fan mounting loop & clamp cable tight around top of rigid pipe fan support to keep fan support arm from falling down in case of arm mounting failure.

For optional Safety Cable Kit order Model #JF-SCK.

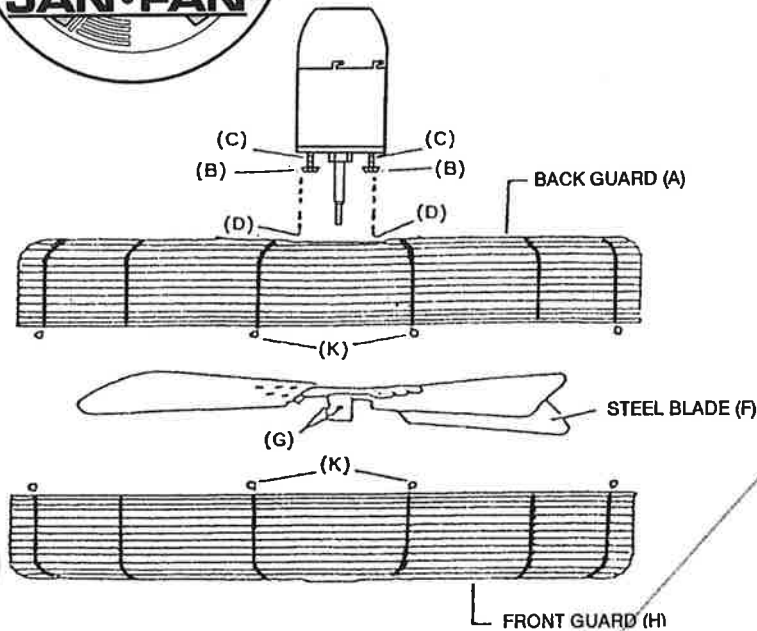


IMPORTANT: READ AND SAVE THESE INSTRUCTIONS

MODEL # JF-20GB, # JF-24GB AND # JF-30GB INSTRUCTIONS FOR RAPID ASSEMBLY OF 20", 24" AND 30" HINGED GUARD* AND BLADE TO MOTOR



EACH GUARD AND BLADE SET CONTAINS:
1 FRONT AND 1 REAR GUARD
4 SAFETY HINGE PINS *
1 STEEL FAN BLADE



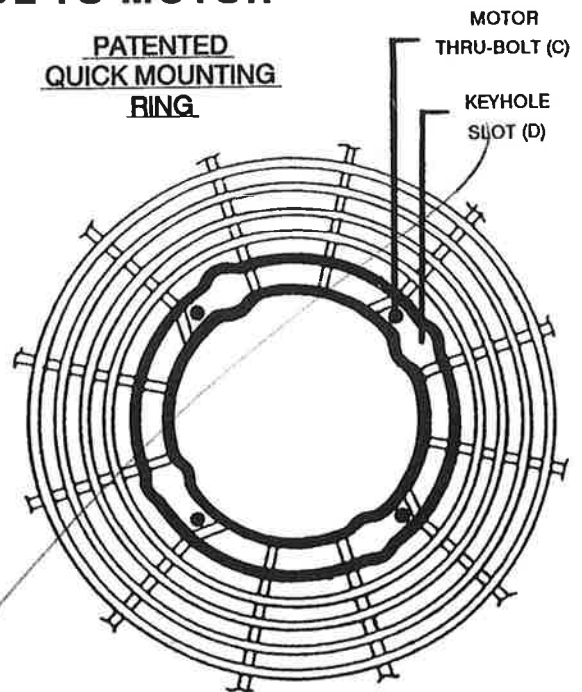
- Install back guard (A) which has four keyhole slots (D) over the four serrated flange nuts (B) that are pre-mounted on motor thru-bolts (C).
- Turn guard clockwise so that motor thru-bolts are at small end of keyhole slots.
- Tighten all four serrated flange nuts. Rear guard is now securely fastened to motor.
- Slide blade (F) over shaft with hub away from motor. So that the blade centers properly in the guard, the 20" and 30" Blade Hub should be pushed to the rear limit of the 1/2" portion of the shaft. The 24" Blade Hub should be at the front limit of the 1/2" portion of the shaft. Tighten set screws (G) securely.

• See instruction sheet packed with Motor for recommended use of safety cable

★ Patent No. 5,240,378

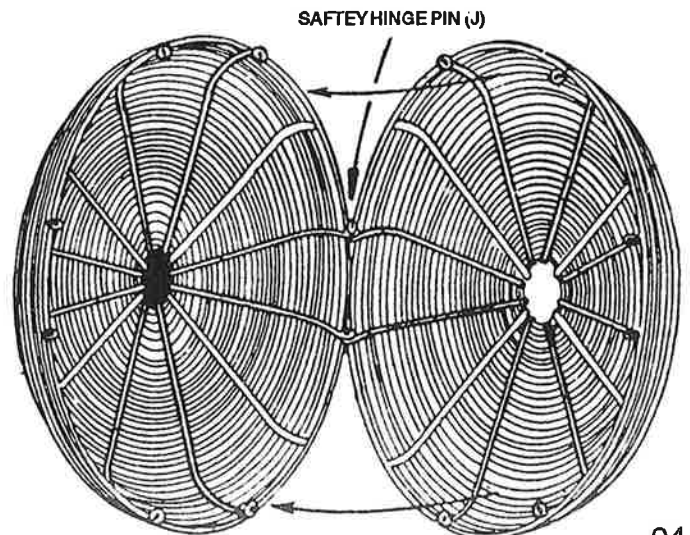
★ Patent No. 5,002,462
Foreign Patents

* 20" Guard has only 3 safety hinge pins



- Fasten front guard (H) to back guard (A) by inserting four* safety hinge pins (J) (each through two hinge pin loops (K) on front guard and two hinge pin loops on rear guard) thereby joining securely front guard to rear guard. Close safety hinge pins as they are installed.
- Front guard is now securely fastened to rear guard.
- By removing all but one safety hinge pin it will then act as a hinge for ease of cleaning or replacing the blade.

PATENTED HINGING GUARD



IMPORTANT: READ AND SAVE THESE INSTRUCTIONS



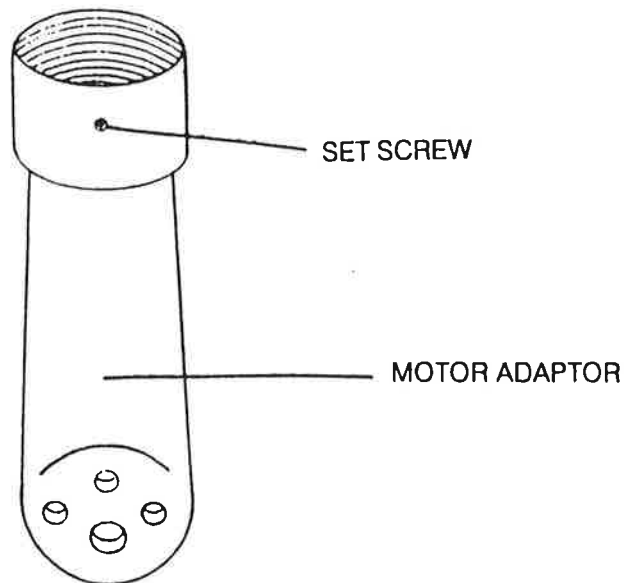
MODEL # JF-AK (ADAPTOR KIT)
(USED WHERE USER PREFERS TO DESIGN THEIR OWN MOUNT USING 1-1/2" PIPE)

ASSEMBLY INSTRUCTIONS

CONTENTS OF THIS CARTON INCLUDE:

Motor Adaptor with Set Screw
3 Nylon Ty-Wraps

THREE NYLON TY-WRAPS



ASSEMBLY INSTRUCTIONS

Screw Motor Adaptor securely onto 1-1/2" rigid pipe with male thread (furnished by user).
IMPORTANT: WRENCH TIGHTEN ADAPTOR KIT ONTO RIGID PIPE TO ACHIEVE COMPLETE THREAD ENGAGEMENT (Lubricate if necessary). Make sure that motor adaptor completely covers all pipe threads.

Following instructions in motor carton, mount motor to motor adaptor.

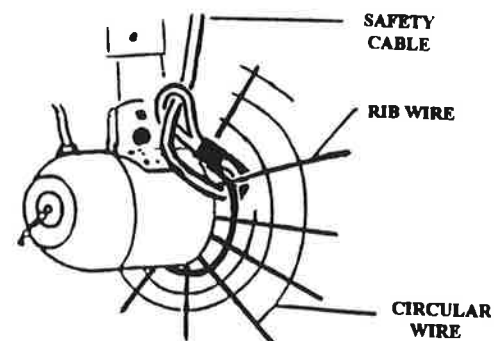
Following instructions in blade and guard carton, mount blade and guard to motor. After aiming fan in desired direction, tighten set screw securely against male pipe thread.

Use 3 nylon ty-wraps to route cord away from fan.

WARNING

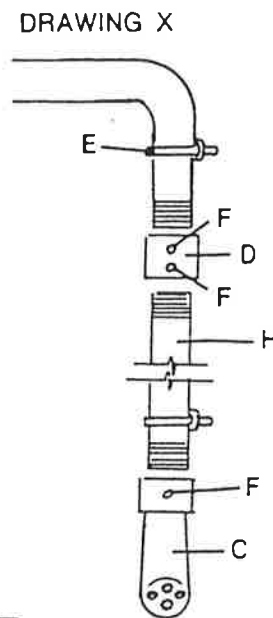
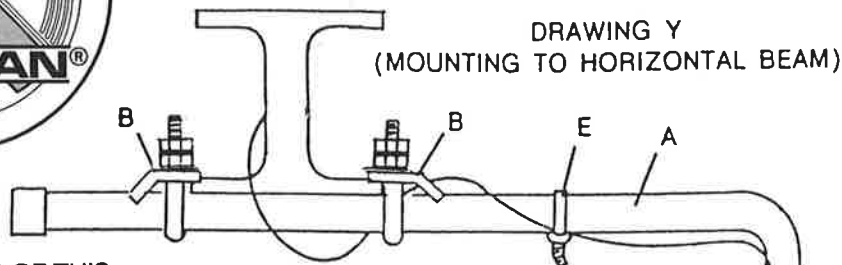
A safety cable must be installed properly to help guard against fans falling from any cause. The safety cable should be run through the heavy circular wire near motor on rear guard and back out around adjacent heavy radial rib wire as illustrated. Then clamp or otherwise fasten to I-beam or other permanent support. For extended verticle drops of fan mounting beyond factory mount length, safely clamp cable to the top of the rigid pipe fan support near building structure in order to keep fan support arm from falling (swinging) down in case of arm mounting failure.

For optional Safety Cable Kit order Model #JF-SCK



IMPORTANT : READ AND SAVE THESE INSTRUCTIONS.

MODEL # JF-BM (I-BEAM MOUNT) ASSEMBLY INSTRUCTIONS



CONTENTS OF THIS CARTON INCLUDE:

	QUANTITY
A - 36" Long 1-1/2" Rigid Pipe	1
B - 1-1/2" Conduit Clamps	2
C - 1-1/2" Threaded Motor Adaptor	1
E - Nylon Ty-wraps	3

ASSEMBLY INSTRUCTIONS

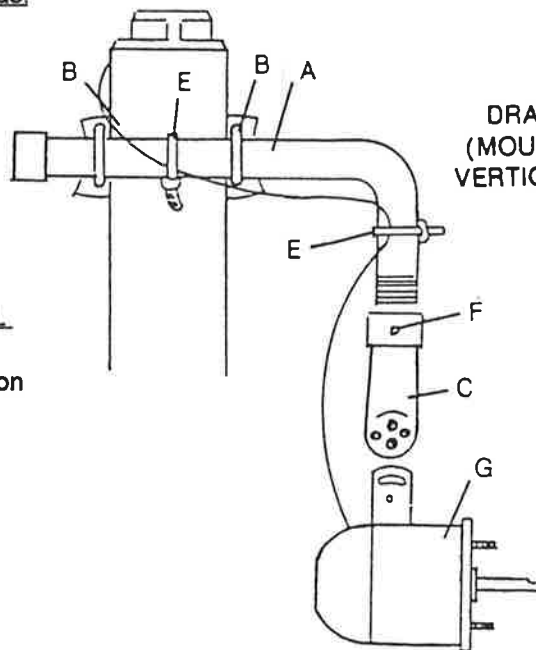
- Follow same procedure for both horizontal and vertical I-Beam mount. Only mount on Beams with a flange width of 6" or more.
- Mount the 1-1/2" pipe (A) to the I-Beam with two conduit clamps (B).
- Tighten clamps very securely and tighten Jamb Nuts.

— FOR NORMAL DROP (DRAWING Y AND Z).

1. Screw motor adaptor (C) securely onto 1 1/2" rigid pipe (A).
Make sure that Motor Adaptor completely covers all pipe threads.
(Wrench tighten and lubricate if necessary.)
2. Following instructions in guard/blade carton, mount blade and guard to motor.
3. Following instructions in motor carton, mount motor (G) to adaptor (C).
4. After aiming fan in desired direction, tighten all set screws (F).
Make sure set screws engage pipe threads.
5. Use three nylon ty-wraps to route cord away from fan.
6. Plug power cord into 115 volt, a.c., 60 Hz grounded outlet.

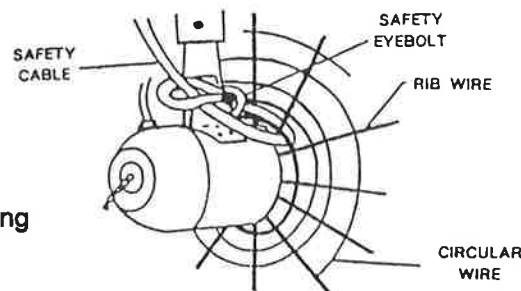
— FOR GREATER DROP (DRAWING X) FROM OVERHEAD HORIZONTAL BEAM.

- Screw 1-1/2" coupling (D)* onto 1-1/2" rigid pipe (A) and thread on securely.
- Acquire 1-1/2" rigid pipe (H), cut to length you desire, and thread both ends.
- Screw rigid pipe securely into coupling (D). *
- Screw motor adaptor (C) onto rigid pipe (H). Make sure that motor adaptor completely covers all pipe threads.
- Follow steps 2 through 6 (above).



WARNING

A Safety cable must be installed properly to help guard against fans falling from any cause. The safety cable should be run through the eyebolt (provided for that purpose), and adjacent heavy circular wire on rear guard and back out around adjacent radial rib wire as illustrated. Then clamp or otherwise fasten to I-beam or other permanent support. For extended vertical drops of fan mounting loop & clamp cable tight around top of rigid pipe fan support to keep fan support arm from falling down in case of arm mounting failure. For optional Safety Cable Kit order Model #JF-SCK. Do not use beam clamps where surface contact between pipe and mounting structure is less than 6 inches.



* FREE UPON REQUEST (Order Model # JF-BMC)

IMPORTANT : READ AND SAVE THESE INSTRUCTIONS

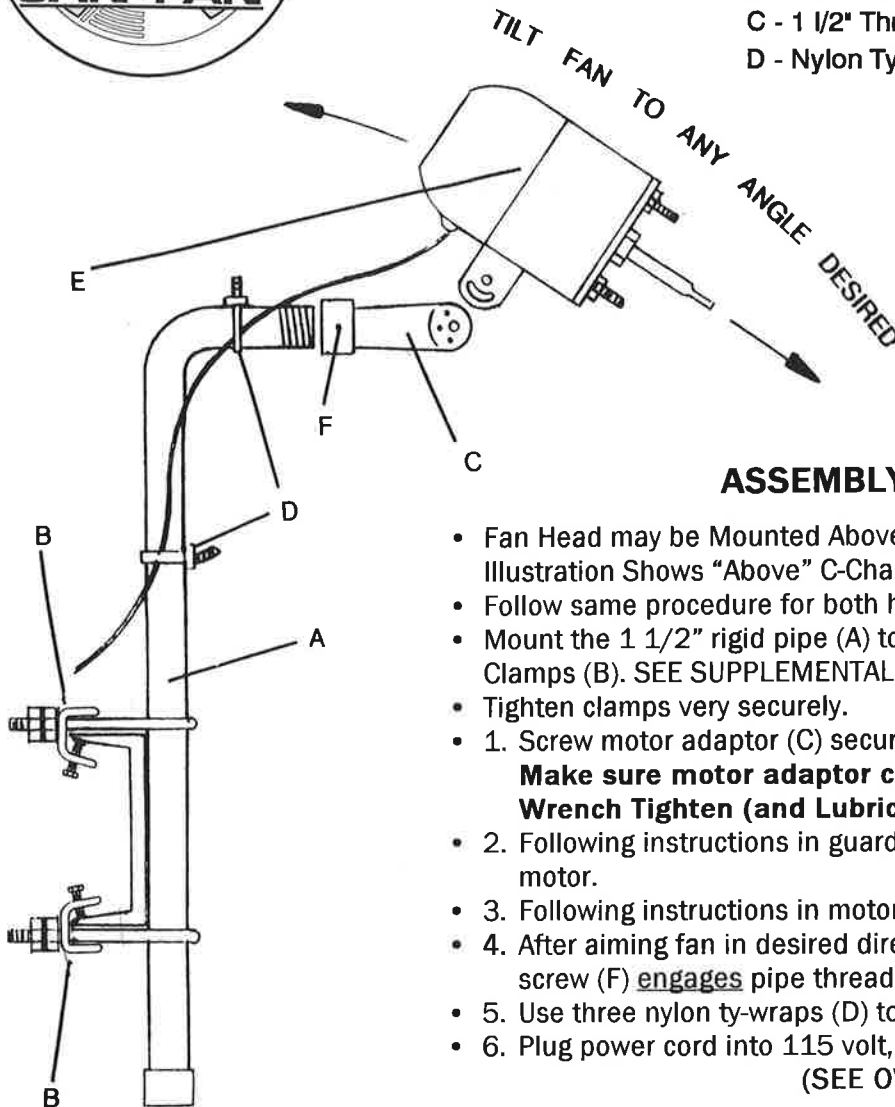
IMPORTANT: ALSO SEE SUPPLEMENTAL INSTRUCTION SHEET (SEE OVER)



MODEL # JF-CCM (C - CHANNEL MOUNT)

CONTENTS OF THIS
CARTON INCLUDE:

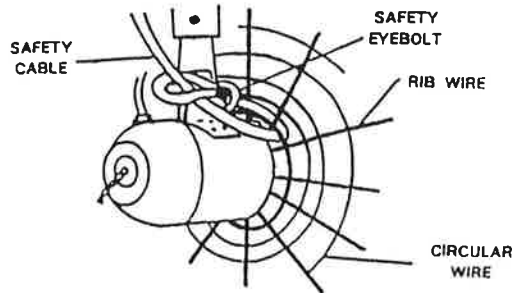
	QUANTITY
A - 36" Long 1 1/2 Rigid Pipe.	1
B - 1 1/2" C-Channel Clamps	2
C - 1 1/2" Threaded Motor Adaptor	1
D - Nylon Ty-wraps	3



ASSEMBLY INSTRUCTIONS

- Fan Head may be Mounted Above or Below C-Channel. Illustration Shows "Above" C-Channel Mounting.
- Follow same procedure for both horizontal and vertical C-Channel Mounting.
- Mount the 1 1/2" rigid pipe (A) to the C-Channel with two C-Channel Clamps (B). SEE SUPPLEMENTAL INSTRUCTION SHEET (OVER).
- Tighten clamps very securely.
- 1. Screw motor adaptor (C) securely onto 1 1/2" rigid pipe (A).
Make sure motor adaptor completely covers all pipe thread. Wrench Tighten (and Lubricate if Necessary).
- 2. Following instructions in guard/blade carton, mount blade and guard to motor.
- 3. Following instructions in motor carton, mount motor (E) to adaptor.
- 4. After aiming fan in desired direction, tighten set screw (F). Make sure set screw (F) engages pipe threads.
- 5. Use three nylon ty-wraps (D) to route cord away from fan.
- 6. Plug power cord into 115 volt, a.c., 60 Hz grounded outlet.

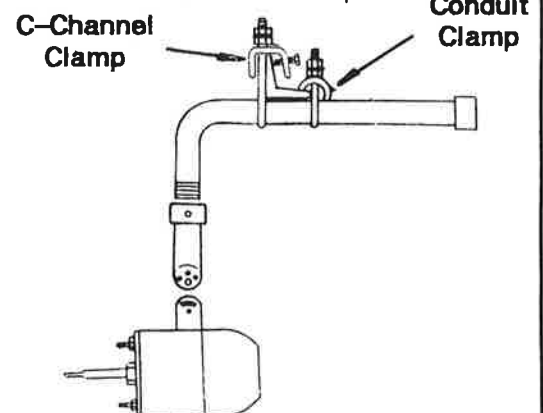
(SEE OVER)



WARNING

A Safety cable must be installed properly to help guard against fans falling from any cause. The safety cable should be run through the eyebolt (provided for that purpose), and adjacent heavy circular wire on rear guard and back out around adjacent radial rib wire as illustrated. Then clamp or otherwise fasten to I-beam or other permanent support. For optional Safety Cable Kit order Model #JF-SCK. Do not use C-Channel clamps where surface contact between pipe and mounting structure is less than 4 inches.

Also Adaptable To Angle Iron:
By Substituting 1 Conduit Clamp
For 1 C - Channel Clamp



IMPORTANT: READ AND SAVE THESE INSTRUCTIONS

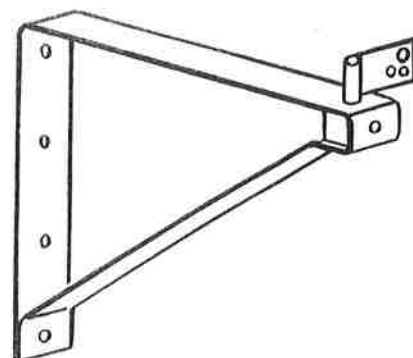


ASSEMBLY INSTRUCTIONS MODEL #JF-WCM

(INDUSTRIAL DUTY WALL OR CEILING MOUNT)

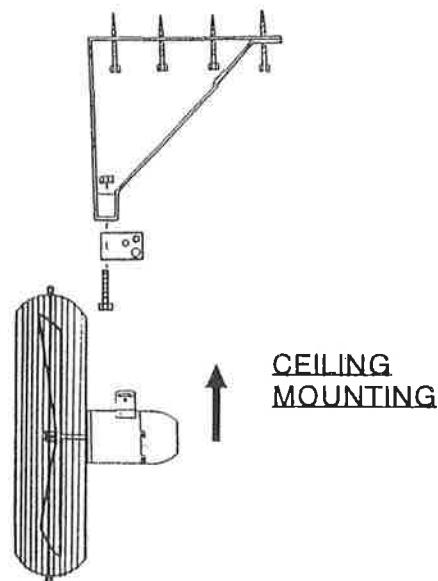
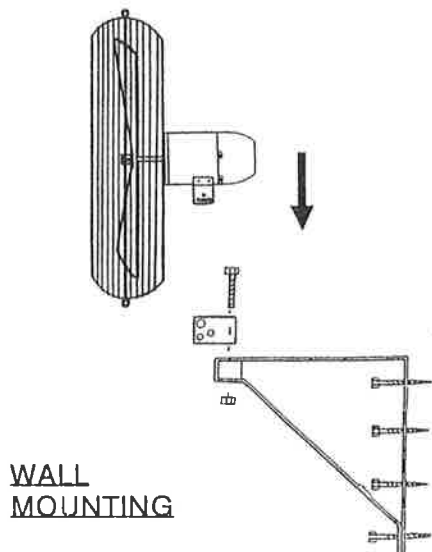
CONTENTS OF CARTON:

QUANTITY	DESCRIPTION
1	Wall/Ceiling Mount
1	Swivel Bracket
1	4 x 14 - 7/16 Hex Bolt
1	Hex Reversible Lock Nut



ASSEMBLY INSTRUCTIONS

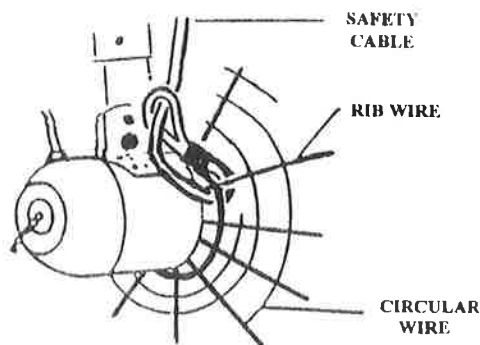
Assemble the Wall/Ceiling Mount with the Swivel Bracket as shown in the appropriate illustration below. Secure the assembled, Wall/Ceiling Mount **VERY SAFELY** (as determined by user) to structural wall, ceiling or steelwork by using all four (4) mounting holes in the bracket. Follow instructions in motor carton to mount fan to bracket mount. After aiming fan in desired direction, tighten all mounting hardware very securely.



WARNING

A safety cable must be installed properly to help guard against fans falling from any cause. The safety cable should be run through the heavy circular wire near motor on rear guard and back out around adjacent heavy radial rib wire as illustrated. Then clamp or otherwise fasten to I-beam or other permanent support.

For optional Safety Cable Kit order Model #JF-SCK



IMPORTANT: READ AND SAVE THESE INSTRUCTIONS



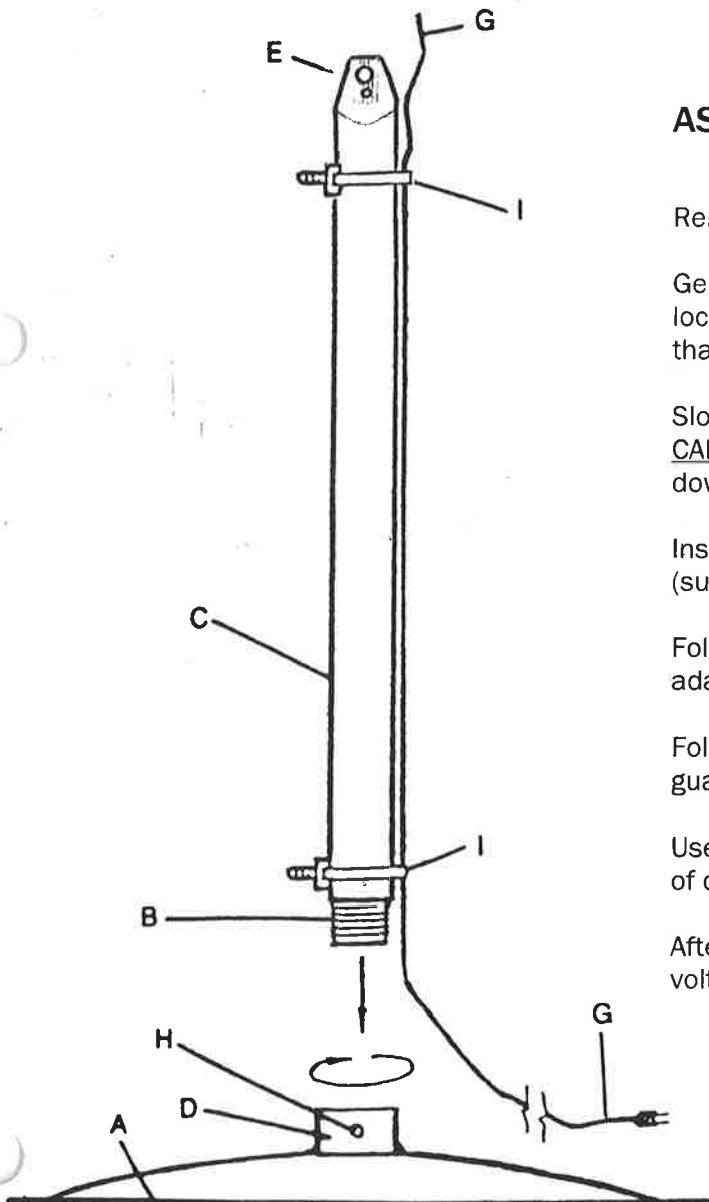
MODEL # JF-PB (PEDESTAL BASE)
AND # JF-PC (PEDESTAL COLUMN)

ASSEMBLY INSTRUCTIONS

CARTON CONTENTS:

#JF-PB: Steel base with Allen Wrench.

#JF-PC: Heavy Duty Column and 2 Ty-Wraps.



ASSEMBLY INSTRUCTIONS

Remove base (A) from base carton and place on floor.

Gently and squarely place the 2" Pipe Thread (B) which is located at the bottom of the column, into the 2" coupling (D) that is welded to the center of the base (A).

Slowly screw column (C) clockwise into coupling (D) BEING CAREFUL NOT TO CROSS THREAD. Continue to screw column down into base until it bottoms out.

Install and Tighten Set Screw (H) securely with Allen Wrench (supplied).

Following instructions in motor carton, mount to upper column adaptor (E).

Following instructions in guard/blade carton, mount blade and guard to motor.

Use 2 Nylon Ty-Wraps (I) to route power cord (G) down outside of column.

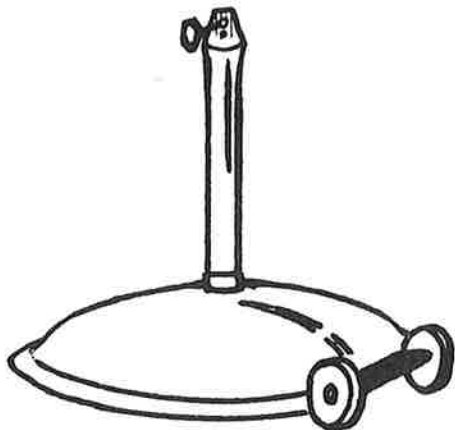
After aiming fan in desired direction, plug power cord into 115 volt, a.c., 60Hz grounded outlet.

**NOTE: For optional "Wheel Kit"
please order Model #JF-WK.**

IMPORTANT: Read and save these Instructions

ASSEMBLY INSTRUCTIONS

Model # JF-MM Mobile Floor Mount



Carton Contents:

- 1- Steel Base with Allen Wrench
- 1- 20" Vertical Column
- 1- Wheel Kit
- 1- Tilt Adjustment Knob Assembly
- 2- Handle Hinge Pins (1 large and 1 small)
- 2- Ty-Wraps

Assembly Instructions:

- Remove all parts from carton.
- With Base (A) on floor, square thread bottom of Vertical Column (B) into the 2" coupling that is welded to the center of the base. **BEING CAREFUL NOT TO CROSS-THREAD** continue to screw column down until it firmly bottoms out very tightly.
- Tighten set screw (C) with Allen Wrench supplied.

Following the Instructions in Motor Carton, mount Motor to Column Adaptor (D) with the following **exceptions to the motor carton instructions:**

- 1- Tighten large 1/2" bolt firmly enough to still allow tilt of motor. **This bolt should still hold the majority of the fans' head weight.**
- 2- **Substitute** the smaller 1/4" bolt and nuts in motor hardware bag with the Mobile Mounts' threaded Tilt Adjustment Knob with serrated flange nut (E).

Following the Instructions packed in the Guard and Blade Carton, mount blade and guard to motor.

-**Substitute** the proper sized Mobile Mount "Handle Hinge Pin" (F) for the normal type hinge pin at the top of the guard.....for 20" and 24" fan sizes use the **short** Handle Hinge Pin. For the 30" fan size use the **longer** Handle Hinge Pin.

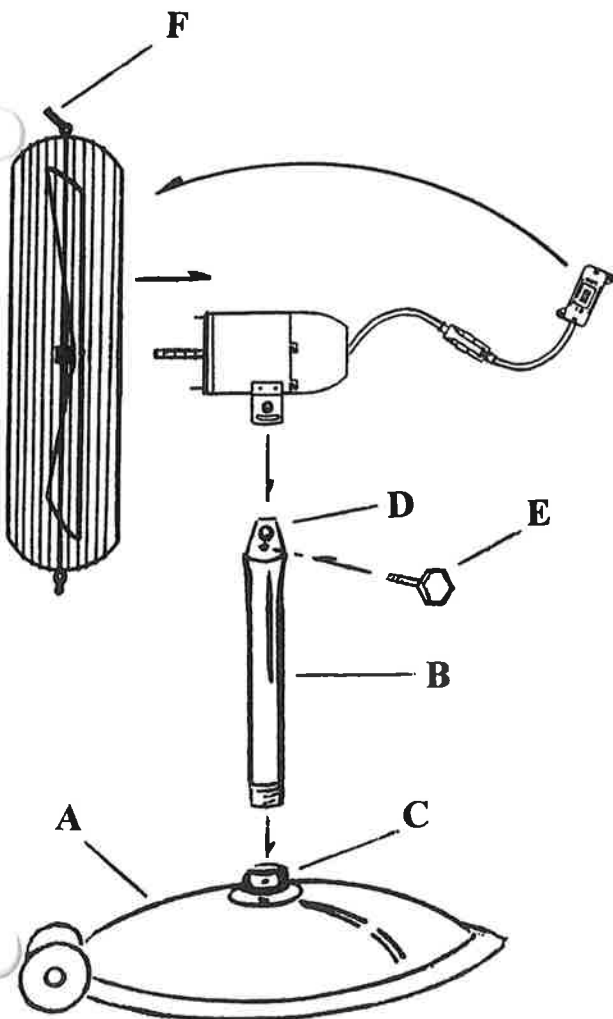
-Once installed, the "handle" should lean **toward the Front** of the fan.

Slide Wheel Kit **fully** onto the edge of the Base paying attention to **mount the wheels Squarely with the FRONT** of the fan.

-Hand Tighten the 2 Knobs on top of wheel kit to secure to base.

If using the Motor with Drop Cord Rocker Switch, 2 Ty-wraps are included to mount the yellow switch box onto the upper center portion of the rear guard. This is done by running a Ty-wrap through each of the switch box mounting ears and then through the rear guard.

SEE REVERSE FOR USE AND WARNINGS



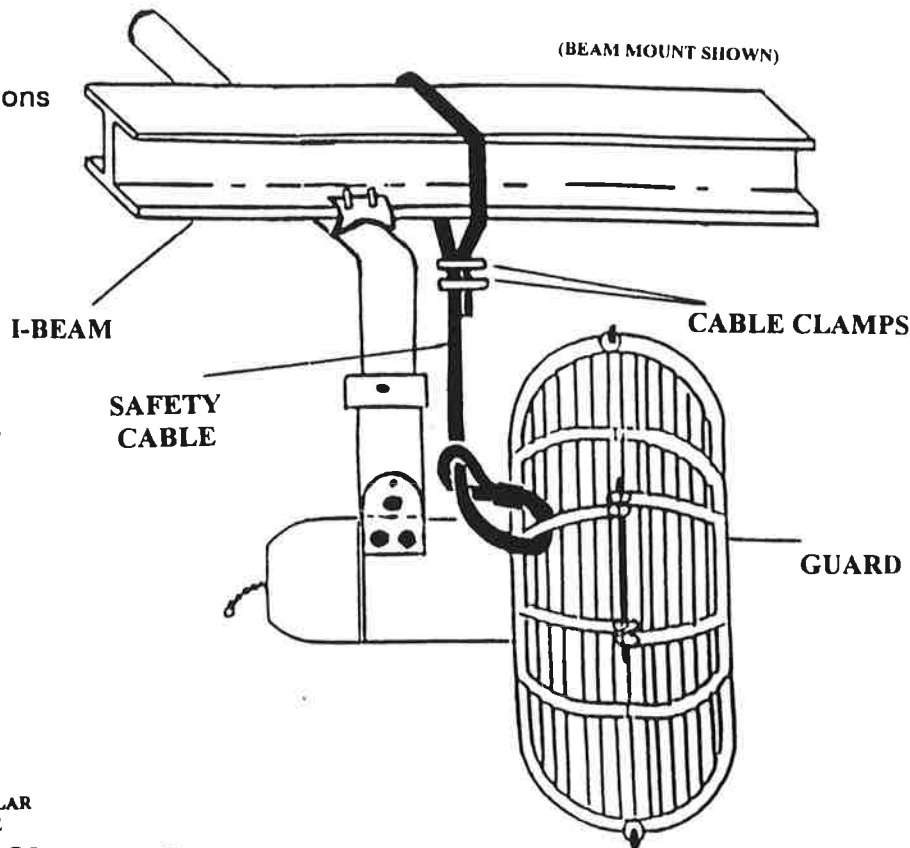
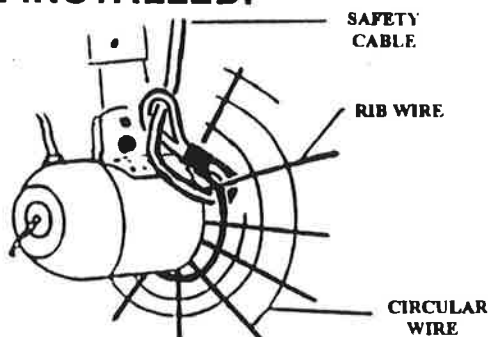
IMPORTANT: READ AND SAVE THESE INSTRUCTIONS



This kit consists of:
12' x 1/8" Cable
2 Cable Clamps
Installation Instructions

MODEL # JF-SCK SAFETY CABLE KIT FOR USE WITH OVERHEAD MOUNTED JAN FANS®

**IMPORTANT:
TO KEEP FAN FROM
FALLING, FROM ANY CAUSE,
IN AN OVERHEAD MOUNT
APPLICATION, IT IS STRONGLY
RECOMMENDED THAT A SAFETY
CABLE BE INSTALLED.**



INSTALLATION INSTRUCTIONS

1. Feed 1/8" cable through the heavy circular wire on rear guard near motor and back out around adjacent heavy radial rib wire then through closed loop end of cable.
2. For extended verticle drops of fan mounting or when mounting beyond factory mount length, safely clamp cable tight to the top of the rigid pipe fan support near building structure in order to keep fan support arm from falling (swinging) down in case of arm mounting failure.
3. Take up all slack, making sure there is no part of the cable that may interfere with the blade.
4. Wrap end of cable around a secure building joist, beam, truss or other support close to the fan assembly. Take up all excess slack in the cable.
5. Attach the cable clamps and tighten very firmly.
6. To avoid Fan/Cable interference remove the excess cable that is remaining (except for 3" to 4") after the second clamp has been tightened.

USE CLAMPS PROPERLY FOR MAXIMUM EFFICIENCY

U-BOLT SHOULD BEAR ON DEAD END OF CABLE



DEAD END Attach Cable and Cable Clamps as shown in illustration

CAUTION: WIRE CABLE MUST BE INSPECTED REGULARLY FOR ANY DETERIORATION WHICH MAY RESULT IN THE LOSS OF ORIGINAL STRENGTH. USER MUST DETERMINE WHETHER FURTHER USE OF THE CABLE WOULD CONSTITUTE A SAFETY HAZARD TO LIFE OR PROPERTY.

Read and Save these instructions

#JF-WK

JAN FAN - WHEEL KIT (For Pedestal Fans)

INSTALLATION:

- Only install after pedestal fan assembly is complete.
- Position Wheel Kit to the Direct Rear of the pedestal fan as shown.
- To install, simply slip the wheel kit bracket onto the pedestal base lip as far as possible.
- Hand tighten the 2 plastic knobs located on top of the wheel kit.
- Installation is now complete.

USE:

The easiest method to move the fan is to Carefully tilt the fan back by holding the upper portion of pedestal and stabilizing the fan with your foot positioned between the two wheels.

WARNINGS:

NEVER: Attempt to move the fan while fan is running !

ALWAYS: Be careful of **HOT MOTOR** if fan has been running before moving.

