

# California Air Tools

## 2.5 Gallon Pressure Pot

Model No. 255C



### Technical Data

Type of feed.....Air Pressure (1/4")  
Maximum pressure in the tank..... (80 PSI)  
Working pressure in the tank..... (60 PSI)  
Tank capacity.....(2.5 gal)

## Safety Guidelines- Definitions

### **NOTE!**

Information that you should pay special attention to.

### **DANGER!**

URGENT SAFETY INFORMATION

A HAZARD THAT WILL CAUSE SERIOUS INJURY OR LOSS OF LIFE

### **CAUTION!**

Information for preventing damage to equipment

### **WARNING!**

IMPORTANT SAFETY INFORMATION

A HAZARD THAT *MIGHT* CAUSE SERIOUS INJURY OR LOSS OF LIFE

## Important Safety Instructions

### Save These Instructions

IMPROPER OPERATION OR MAINTENANCE OF THIS PRODUCT COULD RESULT IN SERIOUS INJURY AND PROPERTY DAMAGE. READ AND UNDERSTAND ALL WARNING AND OPERATING INSTRUCTIONS BEFORE USING EQUIPMENT.

### **Over pressurization of Attachments**

Hazard	What Could Happen	How To Prevent It
<b>WARNING!</b> Explosion of objects	Attachments whose pressure rating is lower than the adjusted pressure in the tank could explode, resulting in serious injury or property damage.	Always make sure that equipment connected to tank has a higher pressure rating than the regulated air pressure tank

### **WARNING!**

When performing maintenance disconnect the air line.

If for any reason it is required to replace any parts, it is recommended to replace part with original parts.

Never operate equipment while under the influence of alcohol or drugs. If you have signs of exhaustion stop usage, it may cause an accident

### **Caution!**

This pressure pot is not designed for highly abrasive, volatile, or corrosive applications.

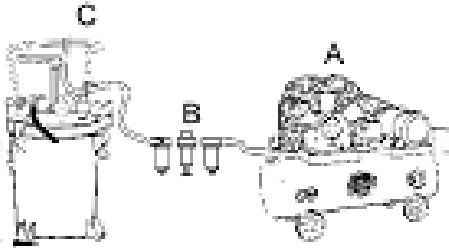
## Assembly

### Read the instructions carefully

Read instructions carefully before using this product.

This equipment can be used up to a maximum of 60 PSI.

This equipment has an air regulator, pressure gauge, safety valve and air hose connection.



The picture above illustrates the best set up and operation of this equipment.

### Important Notes

This picture is only for the purpose of illustration. Air compressor "A", air filter "B", air hose and operator safety equipment are all sold separately.

This product is subject to slight changes as to what is presented in this owner's manual. Without notice in both changes in design and parts can occur in order to better increase the performance of the product.

### **Air Compressor**

Use an air compressor that can produce at least 90 PSI.

1. **WARNING!** Ensure the air supply is clean and does not exceed 90psi while operating the tool.  
Too high air pressure maybe dangerous causing damage or personal injury.
2. Drain the air compressor air tank daily. Water in the air line will damage the tool.
3. Clean air inlet air filter weekly.
4. The air hose should not be longer than 50ft.  
The minimum hose diameter should be 1/4" I.D. and fittings must have the same inside dimensions.
5. Keep hose away from heat, oil and sharp edges. Check hose for wear and make certain that all connections are secure.

### Assembly Instructions

1. Connect the air supply hose to the air inlet fitting (#1) Industrial (1/4") Male on tank regulator.

## **Instructions for using Air Pressure Regulator on Pressure Pot**

### **Purpose of Pressure Regulator**

The pressure regulator on the pressure pot regulates the amount of pressure in the pressure pot.

### **Recommended Pressure Pot Pressure (PSI)**

Operating pressure 60 PSI. Never exceed of 80 PSI.

### **WARNING!**

Do not use over 60 PSI air pressure in your tank.

### **Operation**

1. Place material in pressure pot.
2. Place lid assembly on tank and hand tighten tank lid clamp screw
3. Shut off pressure pot regulator by turning counter- clockwise. Adjust the air compressor regulator to obtain to obtain the desired air pressure.
4. Now adjust the regulator on the pressure pot to obtain the desired air pressure for the material

### **Maintenance and Storage**

1. Close the air flow to the equipment.
2. Release all air pressure in the tank by pulling the safety valve ring until the pressure subsides.
3. Rotate the pressure pot regulator counterclockwise.
4. Loosen the metal screws, remove the wing nuts, and open the lid to one side. .
5. Empty and clean the pressure pot and parts that have been in contact with the material by using a solvent recommended by the manufacturer.
6. Place the lid and the wing nuts and tighten.

### **WARNING!**

**Always shut off air pressure at the source and bleed off all pressure in the pressure pot by gently pulling the safety valve ring before loosening lid clamps and remove lid.**

# Trouble Shooting

## **WARNING:**

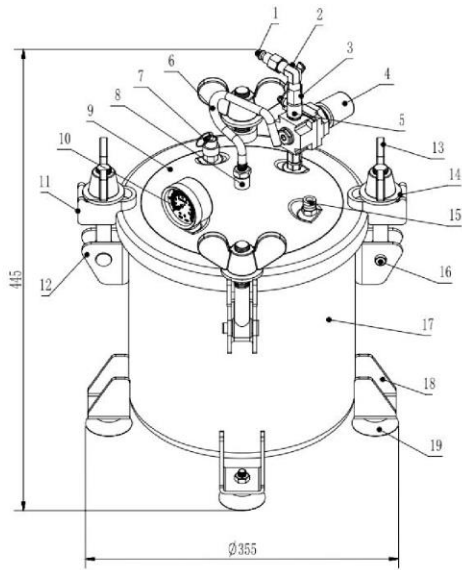
If any of the following symptoms appears during your operating, **stop** using the tool immediately, or serious personal injury could result.

Only a qualified persons or an authorized service center can perform repairs or replacement of tool.

Disconnect tool from air supply before attempting repair or adjustment. When replacing O-rings or Cylinder, lubricate with air tool oil before assembly.

<b>PROBLEMS</b>	<b>POSSIBLE CAUSES</b>	<b>CORRECTION</b>
Air escaping from port on regulator cap	Broken or damaged diaphragm in regulator.	Replace regulator
Pressure dropping slowly on gauge.	Dirty or work valve seat in regulator.	Replace regulator
Air leak at the lid gasket.	Defective lid gasket. Thumb screw not tight.	Replace lid gasket. Tighten thumb screws.
Gauge not registering air pressure.	Defective air gauge.	Replace air gauge
Safety valve popping off.	Tank pressure to high. Defective valve.	Reduce tank pressure to 20-50 PSI. Replace safety valve.
Note: Repairs should be carried out by a qualified person.		

## EXPLOSIVE DRAWING OF CAT-255C



NO.	DESCRIPTION
1	INLET VALVE
2	ELBOW CONNECTOR
3	HEX COOPER SLEEVE
4	PRESSURE REGULATOR
5	G3/8 BALL VALVE
6	HANDLE BAR
7	SAFETY VALVE
8	WELDING NUT
9	TOP CAP
10	PRESSURE GAUGE
11	BUTTERFLY CLIP
12	WELDING BRACKET FOR CLIP
13	BUTTERFLY NUT
14	WASHER
15	AIR RELEASE VALVE
16	PIN COTTER
17	TANK
18	BRACKET
19	CUSHION FOOT

### HIGHLIGHT



BUTTERFLY NUT CUSHION FOOT PRESSURE GAUGE



SAFETY VALVE AIR RELEASE VALVE



HANDLE BAR PRESSURE REGULATOR KIT PIN COTTER WASHER SCREW BOLT

# Limited Warranty

California Air Tools Inc. will repair or replace, free of charge, to the original retail customer who purchased a California Air Tools, Inc. product from an authorized dealer in North America. This warranty does not transfer to subsequent owners.

California Air Tools Inc. will repair or replace, at its option, any parts that are proven to be defective in material or workmanship under normal use during the applicable warranty time period as stated in the Owner's Manual. This limited warranty covers the cost of the replacement parts and labor for all defects.

Wear parts and Transportation charges are the responsibility of the customer.

All parts replaced under warranty will be considered as part of original product, and any warranty on those parts will expire coincident with the original product warranty.

Warranty valid for 12 months from date of purchase.

Receipt or invoice required to validate warranty.

This limited warranty shall NOT apply to and does NOT cover products that are in anyway subject to any of the following:

1. Improper setup, installation or storage.
2. Lack of proper maintenance and service.
3. Accident, damage, abuse or misuse.
4. Abnormal operating conditions or applications.
5. Repair or modification by customer or any third party without written consent of California Air Tools Inc.
6. Use under operating conditions or in applications not recommended by California Air Tools Inc.
7. Normal wear.
8. The use of accessories or attachments not recommended by California Air Tools Inc.
9. Acts of God.

***CALIFORNIA AIR TOOL, Inc.***

8560 Siempre Viva Road,

San Diego, California 92154

Tel: (866) 409-4581

[customerservice@CALIFORNIAAIRTOOLS.com](mailto:customerservice@CALIFORNIAAIRTOOLS.com)

**www.CALIFORNIAAIRTOOLS.com**