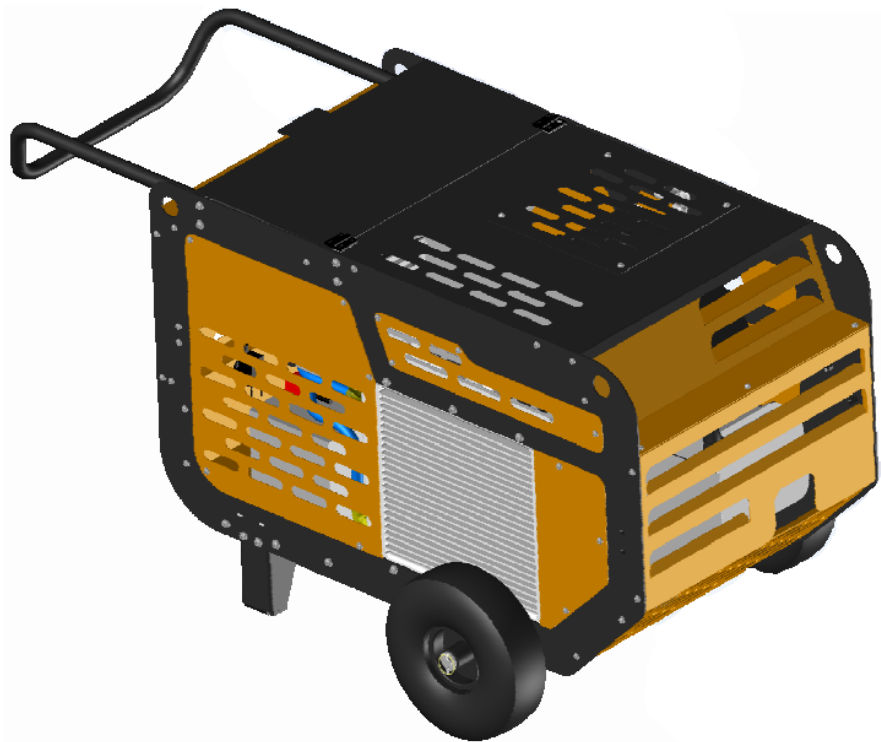


GAS ROTARY PORTABLE REV040422

GS070PT



Contents

Safety Information	2-5
Breathable Air	3
Pressurized Components	3
Personal Protective Equipment	3
Nomenclature	4
Installation	6-10
Area	5
Exhaust	5
Lifting and Movement	5
General Lifting	6
Truck Installation	6
Electrical	7
Battery Component	7
Piping	8-9
Refueling	10
Storage	10
Technical Data (Fill in Sheet)	11
Operation	11-12
Pre-Use Inspection	11
Start Up	12
Shut Down	12
Parking Compressor (Chock use)	12
Maintenance	13-15
Break In	13
Maintenance Schedule	14
Oil Change/Selection	14
Component Systems	14-18
Cooling System	14-15
Compressor Air Filter	15-16
Engine Air Filter	16
Engine Oil Filter	17
Compressor Belts	17
Compressor Oil Separator	18
Troubleshooting	19
Parts Explosion Detail	20-22
Warranty Information	23-25
Maintenance Log	26

SAFTEY INFORMATION

This manual contains very important information to know and understand. This is to provide for SAFTEY and to PREVENT EQUIPMENT PROBLEMS. To help understand this information, observe the following:

- DANGER:** Danger indicates and imminently hazardous situation which, if not avoided, will result in death or serious injury.
- WARNING:** Warning indicates a potentially hazardous situation which if not avoided, could result in death or serious injury.
- CAUTION:** Caution indicates a potentially hazardous situation which, if not avoided, may result in minor or moderate injury.
- NOTICE:** Notice indicates important information, that if not followed, may cause damage to equipment.

CALIFORNIA PROPOSITION 65

WARNING: This product or its power cord may contain chemicals known to the state of California to cause cancer and birth defects or other reproductive harm. Wash hands after handling.

1. Allow only trained, authorized persons who have read and understood these operating instructions to use this equipment. Failure to follow the instructions, procedures and safety precautions in this manual can result in accidents and injuries.
2. NEVER start or operate the compressor under unsafe conditions. Tag the compressor, disconnect, and lock out all power to it to prevent accidental start-up until the condition is corrected.
3. Install, use, and operate the compressor only in full compliance with all pertinent OSHA regulations and all applicable Federal, State & Local codes, standards, and regulations.
4. NEVER modify the compressor and/or controls in any way.
5. Keep a first aid kit in a convenient place. Seek medical assistance promptly in case of injury. Avoid infection by caring for any small cuts and burns promptly.



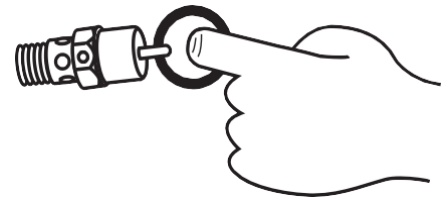
DANGER: Failure to follow instructions and safety guidelines laid out in this manual can result in serious injury or death. Ensure all users of this product read and understand this manual. Store the manual near the compressor for ease of reference. If the manual becomes damaged or illegible contact the manufacturer for a replacement.

Breathable Air

1. **NEVER** use air from this compressor for breathable air except in full compliance with OSHA Standards 29 CFR 1910 and any other Federal, State or Local codes or regulations.
2. **DO NOT** use airline anti-icer systems in air lines supplying respirators or other equipment used to produce breathable air. **DO NOT** discharge air from these systems in unventilated or other confined areas.



DANGER: Death or serious injury can result from inhaling compressed air without using proper safety equipment. See OSHA standards on safety.



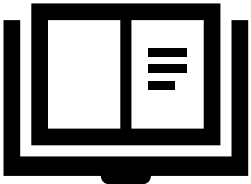
Pressurized Components

This equipment is supplied with an ASME designed and rated pressure vessel protected by an ASME rated relief valve. Pull the ring before each use to ensure the valve is functional. **DO NOT** attempt to open the valve while the machine is under pressure. See figure on the right.

CAUTION: DO NOT PULL WITH PRESSURE IN SYSTEM

Personal Protective Equipment

Be sure all operators and others around the compressor and its controls comply with all applicable OSHA, Federal, State and Local regulations, codes, and standards relating to personal protective equipment. This includes respiratory protective equipment, protection for the extremities, protective clothing, protective shields and barriers, electrical protective equipment, and personal hearing protective equipment.

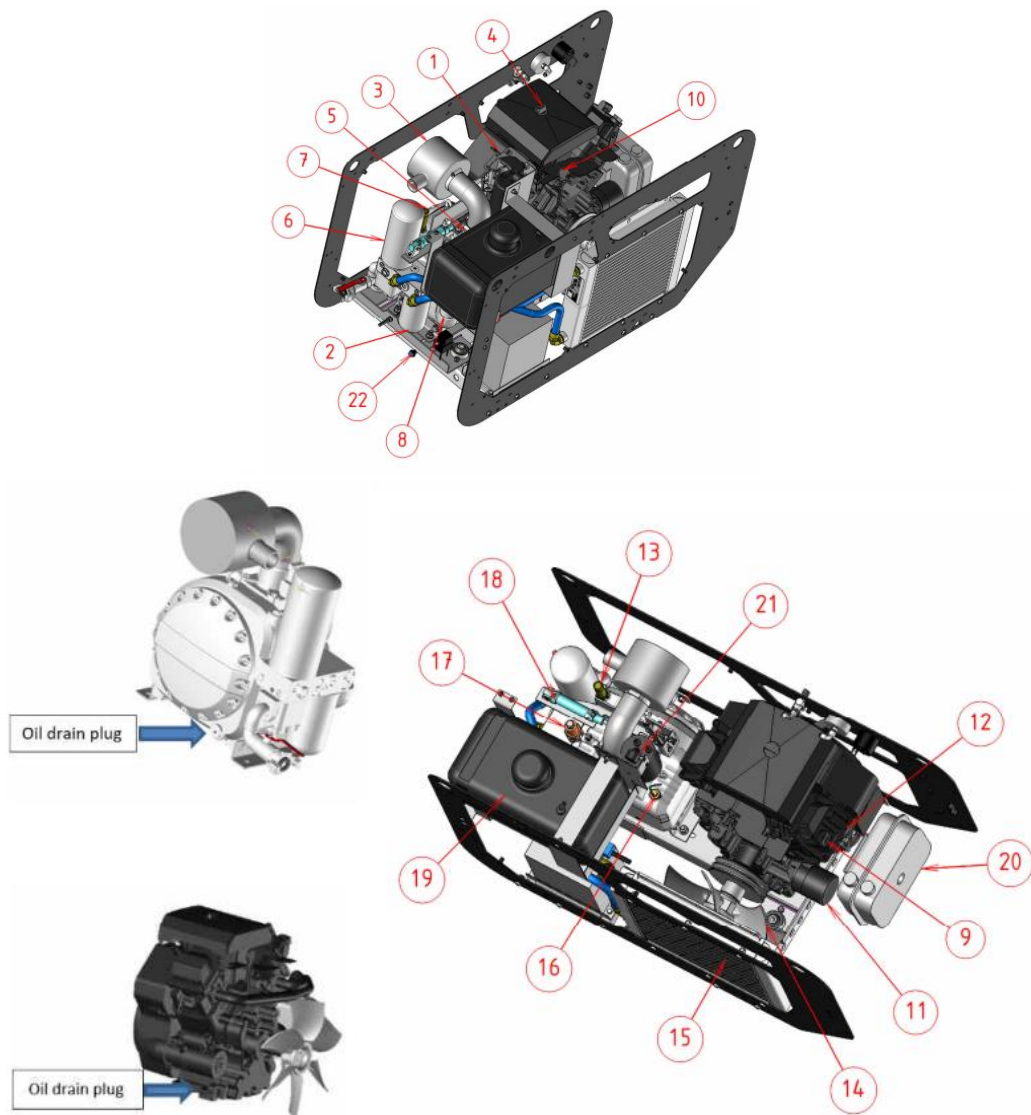


Read all manuals and information supplied for this unit carefully. Be thoroughly familiar with all inspection and operation guidelines. Only persons that have read and understand this manual should operate the compressor.

The engine can produce high noise levels. Prolonged exposure to noise levels above 85 dBA is hazardous to hearing. Always wear ear protection when operating or working around the unit and/or the engine.



Nomenclature GS070PT



1. ENGINE	2. AIR END OIL FILTER
3. AIR END AIR FILTER	4. ENGINE AIR FILTER
5. SUCTION VALVE	6. SEPARATOR CARTRIDGE
7. AIR END	8. AIR END CAPS
9. ENGINE OIL FILL	10. ENGINE OIL GAUGE
11. ENGINE OIL FILTER	12. ENGINE FUEL FILTER
13. SAFETY VALVE	14. FAN
15. RADIATOR	16. SAFETY PROBE
17. REGULATOR	18. CYLINDER
19. GAS TANK	20. EXHAUST MUFFLER
21. CARBON CANISTER FILTER	22. FRAME TENTIONER

Installation

Area

1. The compressor should be operated in a clean, dry, and well-lit area. Be sure the area can maintain a temperature range between 35°F - 110° F.

CAUTION: If ambient temperature drops below 32°F, be sure to protect safety/relief valves and drain valves from freezing. NEVER operate compressor with temperatures below 15°F or above 125°F.



2. Allow sufficient space around the compressor for maintenance access and adequate airflow
3. DO NOT operate the compressor with a tarp, blanket or cover surrounding the machine.
4. The location should allow for adequate, unobstructed airflow for cooling and for the combustion of air in the engine.

Exhaust

1. Never attempt to attach ductwork to the muffler system to allow for installation inside an enclosure. This can cause heat buildup and increased exhaust back pressure resulting in possible exhaust leakage and/or damage to the compressor.
2. Place the unit so that exhaust fumes will not be directed towards people or towards air intakes.
3. Keep a fire extinguisher rated "ABC" nearby which is properly charged, be familiar with its use.
4. Provide and utilize battery operated or battery backup style carbon monoxide alarms in any structure that is in close proximity to a running compressor.
5. NEVER run a combustion powered air compressor inside any enclosed or semi enclosed spaces, including but not limited to homes, garages, basements, sheds, boxes, enclosed truck beds, shipping containers, RVs, or boats. These spaces can trap poisonous gasses even if you run a fan or open windows. If you start to feel sick, dizzy, or weak while using the compressor, shut off the engine and get to fresh air RIGHT AWAY. Seek medical attention. You may have carbon monoxide poisoning.



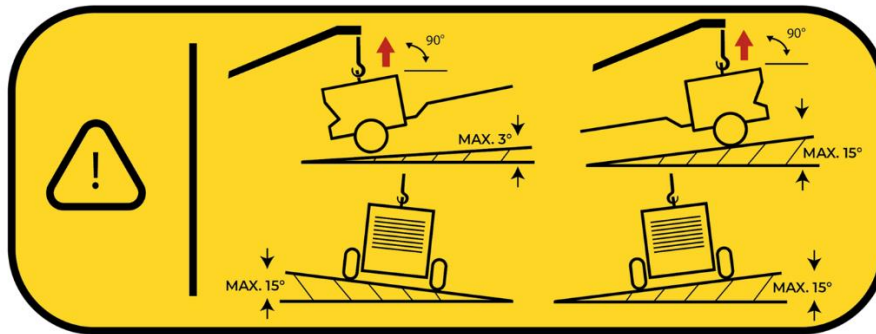
DANGER: Death or serious injury can result from asphyxiation. Running engines produce carbon monoxide (CO), a colorless, odorless poisonous gas. CO generated by the engine can rapidly accumulate even in areas that appear to be well ventilated. This can result in dangerous and FATAL concentrations within minutes.

Lifting and Movement/Forklift

1. Make sure lift operator stays aware while moving the compressor.
2. Be sure to uncrate the compressor prior to movement. This will allow a visual reference for the balance of the unit.
3. Be sure the load is secure and well balanced before moving the compressor.
4. Make sure the forks are fully engaged and level prior to lifting or moving the unit.
5. Keep the unit/load as low as possible while moving and refrain from quick changes in direction.
6. For all other forklift safety standards/regulations please reference OSHA 1910.178- Powered industrial trucks.

General Lifting Information

1. Carefully inspect all lifting equipment and ensure it is in good condition. Rated capacity of lifting equipment must exceed compressor weight. **NEVER** lift with under sized or damaged equipment.
2. If using lifting equipment, ensure all lifting points are in good condition and tighten any loose nuts or bolts before lifting. Verify that there are no cracks in the welding points of the slings, of the attachment points or any other components used for lifting,
3. That the lifting capacity of the equipment is not exceeded by the weight of the combined items being lifted.
4. A sling **MUST** be used when moving the compressor with a helicopter or other airborne equipment. Be sure to follow OSHA standards 1910 subpart N.
5. Use guide ropes or equivalent to prevent twisting or swinging of the compressor while it is in the air and **NEVER** attempt to lift the unit in high winds. Keep compressor as low to the ground as possible.
6. Keep all persons away from the compressor when it is lifted. **DO NOT** allow persons under the compressor while it is being lifted.
7. **DO NOT** use bolts or other hooks on individual components to move the compressor.
8. When moving and or placing the compressor ensure it is on/across a surface that can hold the combined weight of the compressor and the loading equipment.
9. **NEVER** store the compressor suspended by its lifting points.



WARNING: Do NOT operate the unit if damaged during shipping, handling or use. Damage may result in bursting and may cause injury to persons or property damage. If the unit is received with damage, please contact customer support as soon as possible.

Truck Installation

Compressor can be installed in a truck for convenience and portability. Be sure to follow these additional safety precautions:

1. Bolt compressor to truck bed with rubber isolator pads no more than ¼" (6.35mm) thick under the tank feet. Thicker padding will INCREASE vibration from the unit and greatly increase the chance of the tank cracking or other unit damage.
2. Portable compressors must be secured during transport to avoid unit damage.

Electrical Safety

1. Follow all NEC and local codes for electrical wiring. Allow only authorized service personnel or certified electricians to install electrical components.
2. Ensure incoming service has adequate ampere rating.
3. Do not use mixed wire sizes when wiring the unit.
4. The unit must be properly grounded. **DO NOT** connect ground to air or cooling lines.



DANGER: Be sure only trained and authorized personnel install and maintain this compressor in accordance with all applicable federal, local, and state codes, standards, and regulations. Follow all NEC (National Electric Code) standards especially those concerning equipment grounding conductors.

DANGER: Improperly grounded electrical components are shock hazards. Make sure all components are properly grounded to prevent death or serious injury.

Battery Component

Varied models of compressor are equipped with an electronic starter but require a customer supplied, 12V battery for operation. Be sure to follow safety steps and use proper procedures when setting up, connecting, and disconnecting the battery. Check with your batteries manufacturer for more details.

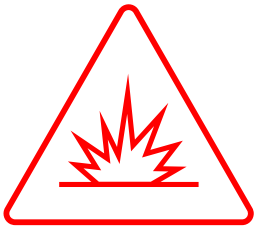
1. Always wear appropriate eye/skin protection while handling the battery.
2. Batteries can release explosive gasses. NEVER smoke or install a battery near sparks or other ignition sources.
3. Use a minimum of 6 AWG wire for battery cables.
4. Connect positive (+) cable to the start solenoid on the engine.
5. Connect negative (-) cable to one of the engine mounting bolts.
6. Connect the other end of the positive (+) cable to the positive (+) battery terminal.
7. Connect the other end of the negative (-) cable to the negative (-) battery terminal.
8. To disconnect the battery first remove the negative cable from the negative battery terminal, then disconnect the positive cable from the positive battery terminal.



CAUTION: NEVER touch both battery terminals at the same time with hands or any non-insulated tools. Always follow proper sequence for connecting and disconnecting the battery. Failure to do so may result in serious injury.

Piping (Safety steps)

1. Install appropriate flow-limiting valves as necessary according to pipe size(s) used and run lengths. This will reduce pressure in case of hose failure, per OSHA Standard 29 CFR 1926.302(b)(7).
2. Flow-limiting valve are listed by pipe size and rated CFM. Select appropriate valves according to manufacturer’s recommendations.
3. Use a flexible connector between compressor tank and dryer/piping system to minimize noise, vibration, pump wear, and to prevent damage to the unit or piping system.
4. Install ASME code safety valves and ensure piping system is equipped with adequate condensate drains.

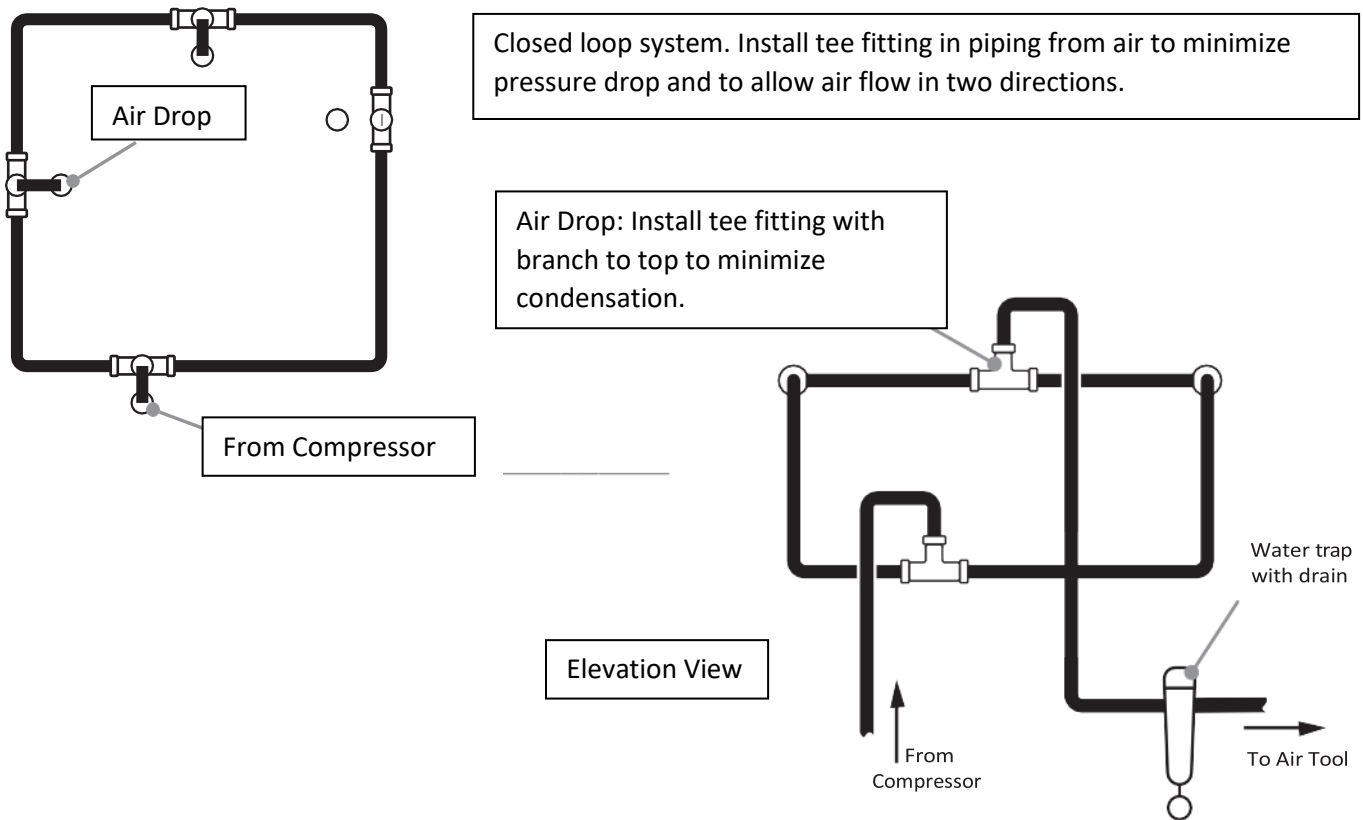


DANGER: NEVER install a shut off valve such as a glove or gate valve between the pump discharge and the air tank unless an ASME rated safety valve rated for the correct pressure is installed in the line between the valve and the compressor pump.

5. Minimum pipe size for compressed air lines: (Pipe sizes are shown in inches)

CFM	25ft	50ft	100ft	250ft
20	3/4	3/4	3/4	1
40	3/4	3/4	1	1
60	3/4	1	1	1
100	1	1	1	1 – 1/4
125	1 – 1/4	1 1/2	1 – 1/4	1 – 1/2
160	1 – 1/4	1 – 1/2	2	2-1/2
200	1 – 1/2	2	2-1/2	2- 3/4

6. Air systems should be checked daily for leaks. This helps to prevent unnecessary load on the compressor and helps increase energy savings.
7. Examples of air systems:



8. Make sure any tube, pipe, fitting, or hose connected to the unit can withstand operating temperatures and retain pressure.
9. Never use reducers in discharge piping. Keep all piping and fittings the same size in the piping system.



WARNING: Never use plastic (PVC) pipe for compressed air. Serious injury or death could result. Piping MUST have a pressure rating of 200 PSI or greater.

Refueling

Internal combustion engines require fuel to be able to operate. While refueling the engine may seem like a menial task it can be hazardous if not done properly.

1. DO NOT touch the engine during use. Engine especially the exhaust will be hot. Allow time for the engine to cool down prior to refueling.
2. DO NOT refuel the unit while the engine is running.
3. DO NOT operate the compressor if any fuel has been spilt. Clean up any spilt fuel prior to starting the engine.
4. DO NOT operate/refuel near a pilot light or open flame.
5. DO NOT refuel the unit while smoking or operating a cellular device.

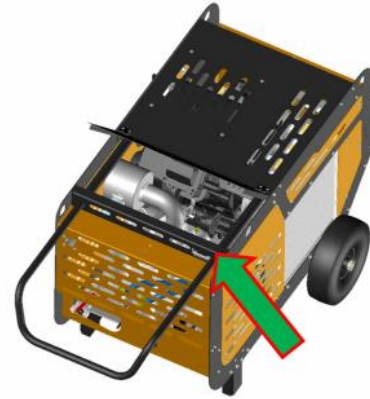
Storage

For long-term storage (6 months or longer) please consult the manufacturer for the proper procedure for storage of the compressor to ensure no issues develop during the storage period.

Technical Data

Compressor Model		GS070PT
CFM @100 PSI		70
Max Pressure (PSI)		145
Working Pressure (PSI)		125
Minimum Separator Pressure (PSI)		58
Safety Valve Opening Pressure (PSI)		175
Compressor Oil		
Total Capacity (Gal)		1.25
Motor		
Maximum Operating Speed (RPM)		3600 (0+50)
Minimum Operating Speed (RPM)		2250 (0+50)
Engine Oil Sump Capacity (Gal)		.5
Axle-Mounted Version		
Total Weight ready for use (lbs.)		452

The compressor is designated by a serial number, which is engraved on the frame.



- Compressor:** Asymmetric rotary with oil injection
- Engine:** **GS070PT:** Kohler four-cycle, V-twin cylinder, air-cooled electric start
- Canopy:** Steel Chassis

Unit Specific Information (fill out for your records)

Engine Serial Number:	
Air End Serial Number:	
Unit Serial Number	

Operation

Ensure all personnel that work around or operate the compressor have read this manual and are well versed in the operation of this machinery. NEVER allow untrained personnel to operate this unit. This unit ships with break in oil and should be ready to operate. Be sure to check oil and fuel level prior to starting.

Pre-Use Inspection

1. Verify the compressor is on flat/level surface.
2. Ensure there is no flammable items i.e., fuel cans or rags inside or within 25ft of the compressor.
3. The area the compressor is to be used in is open and/or well-ventilated area.
4. Check that the compressor is not placed next to any obstacle to avoid recycling hot air and/or exhaust fumes.
5. Inspect in and around the compressor for any fluid leaks.
6. Verify fuel and fluid levels.
7. Close all covers on the compressor; the unit should never be run with any cover open.

Start Up

1. Close all outlet valves.
2. Turn the start valve to START-STOP position.
3. Switch on the ignition.
4. Pull the choke to the half-way position.
5. Turn the key to engage the starter, then release the key as soon as the engine starts.
6. Allow the compressor to warm up for five minutes prior to moving the start valve to the RUN position and allow the pressure to build to 145 PSI. Move the choke to the closed position.

NOTE: When temperatures are lower than 40°F, DO NOT engage the starter for longer than 10 seconds before beginning start up procedures again from step 3.

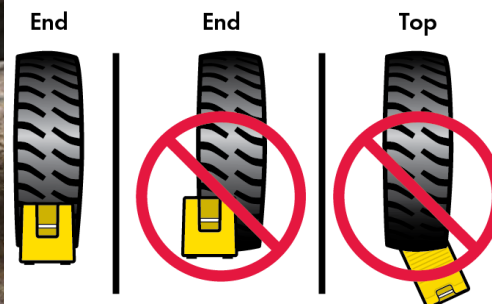
NOTE: Make sure to open air control valves SLOWLY to prevent lashing/damage to flexible air in lines installed on and in the compressor.

Shut Down

1. Close all air valves on the compressor.
2. Turn the START-STOP valve.
3. Allow the compressor to idle for one to two minutes to avoid a sudden stop.
4. Switch off the ignition.
5. Verify that the internal pressure is reduced to zero after 20 seconds.

Parking Compressor

1. Unit wheels must be chocked when stationary. Chock all tires in both travel directions. Failure to chock tires even on apparently flat surfaces may lead to severe compressor damage and or severe personnel injury and/or death. See images on the following pages for proper chocking procedures.



Place chock in the center and square to tire.

Maintenance

NOTE: The operations and maintenance included in this section are given and refer directly to use under normal conditions. In harsh or difficult conditions such as temperature extremes, particulate filled atmospheres, elevation differences, etc. some operations must be made more frequently, and other precautions must be taken. Consult the manufacturer for the specific maintenance needs that apply to your application.



DANGER: NEVER remove lids, caps, and any other components while the compressor is working and/or under pressure. Stop the compressor and remove the ability for the compressor to start by removing the ignition key. Verify the unit has no stored pressure before servicing or inspecting.

Break In

The Compressor must be closely monitored during the break in period. The break in period refers to the first 50 hours of operation of the compressor; this refers to actual run time.

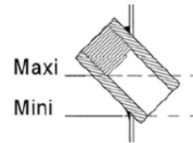
BREAK IN MAINTENANCE	
Compressor set	1. Check drive belt tension
	2. Check fuel filter
	3. Verify bolt torque on all bolts
Engine	1. Check and clean air filter
Compressor	1. Check and clean air filter
	2. Change oil filter
	3. Check control functions (speed and pressure)

Oil Coolant System Guidelines

1. Always wear appropriate PPE such as rubber gloves, face shield, protective apron, etc., when handling.
2. In any case of ingestion, force regurgitation and immediately seek medical attention.
3. If contact with exposed skin or clothing occurs was with water immediately.
4. DO NOT mix different types of oil. Use only manufacturer approved items.
5. Oil is extremely flammable and explosive under certain conditions.
6. Dispose of used oil in accordance with local, state, and federal guidelines.

Oil Fill level

Remove the air end oil cap and check to see if oil reaches the threads.



Coolant System Cleaning

1. DO NOT clean cooler with any hardened tools such as screwdrivers, paint scrapers, etc. This can damage the fins and lead to leakage.
2. Remove dust and build up by washing it with running water.

Overheating

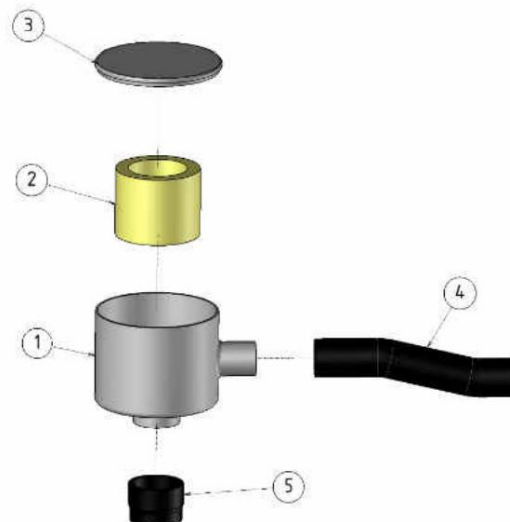
If the machine shuts down due to oil temperature, switch off the load (start button in start/stop position with the valves closed) and allow the engine to idle for at least 5 minutes to allow the engine to cool gradually. Then, stop the engine and inspect the following:

1. Check for any oil leakage.
2. Verify the oil flow is unrestricted (hose kinks or particle build up on connections)
3. Ensure the radiator is clean and not caked with material.

Air Filter

Since the air cleaner/filter used on this engine is a dry type, DO NOT apply oil to it.

1. Air Filter Housing
2. Air Filter
3. Lid
4. Air Suction Hose
5. Admission Hose



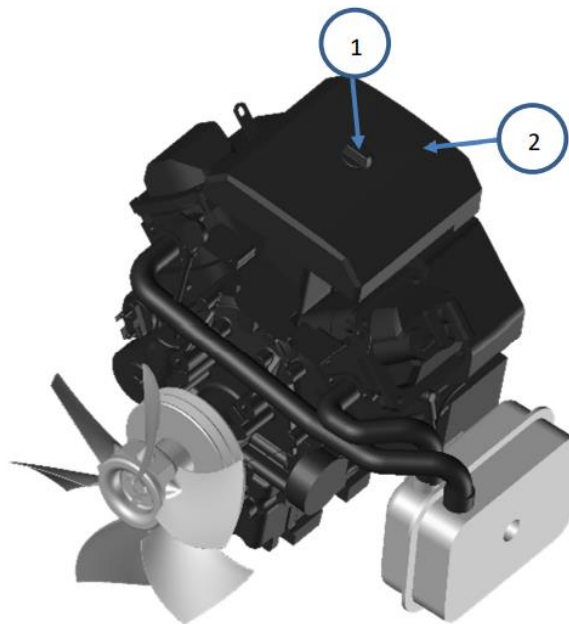
1. Clean filter once per week or daily in a dusty environment. This will remove large particles of dust and dirt.
2. Wipe the of the air cleaner with a cloth if needed.
3. Avoid touching the element with your skin or with oily or dirty rags/towels.
4. When dust adhere to the filter, you can blow compressed air from the inside of the filter while rotating it slowly. DO NOT exceed 30 PSI of air while performing this operation or you can damage the filter.
5. Ensure the lid is properly closed.

Engine Air Filter



ATTENTION: To avoid injury be sure to shut engine down and remove the ignition key prior to servicing. Be sure to wait until engine is cool prior to any maintenance.

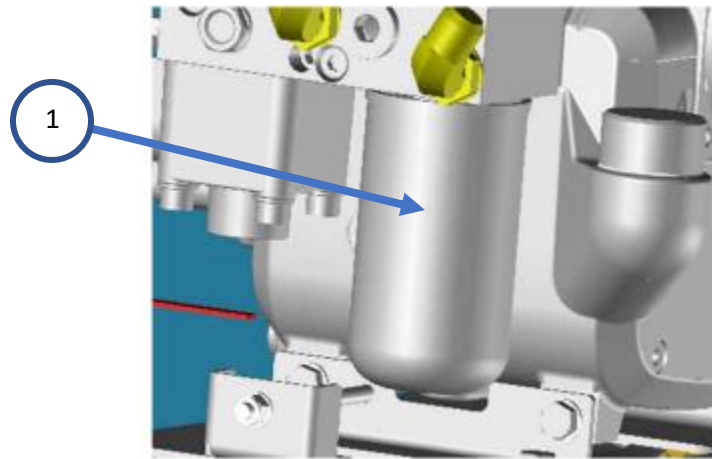
1. Filter Holding Screw
2. Engine Air Filter Cover



1. Open the cover by turning and removing the retaining screw.
2. Lift and remove cover.
3. Remove the used filter.
4. Wipe down the inside of the filter housing with a cloth,
5. Replace and reinstall filter, install cover and return holding screw to position.
6. Ensure the filter is closed and sealed correctly to avoid particulates from bypassing the filter.
7. DO NOT overservice the air filter as this can lead to premature wear of the filter element.

Engine Oil Filter

1. Disposable Oil Filter Cartridge



1. Ensure to perform this operation ONLY when the unit is cool.
2. Unscrew the disposable cartridge carefully as to not damage the threads.
3. Clean any debris from the threads/receiving area.
4. Lightly grease the new filter on its seal with clean oil.
5. Refit new cartridge and secure snugly but DO NOT attempt to over tighten.

Compressor Belts

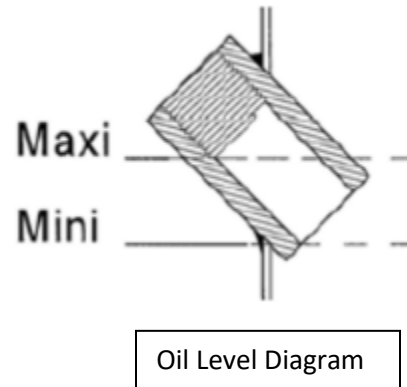
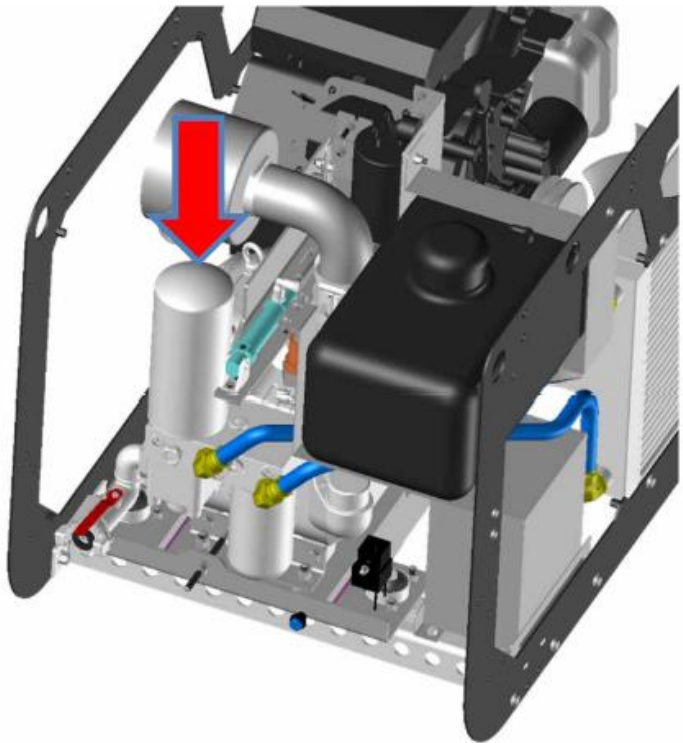


1. Ensure the engine is stopped and the key is removed prior to servicing and/or inspecting belts.
2. If belt tension is not correct, unscrew the bolts securing the air end to the frame.
3. Tighten or loosen the adjusting nut on the side of the air end until the belt tension reaches acceptable limits.
4. Replace worn or damaged belts.

DEFLECTION: .15 inches while applying 9 pounds pressure midway between engine and air end.

If the belt is loose or damaged, it could result in overheating or insufficient load.

Compressor Oil Separator

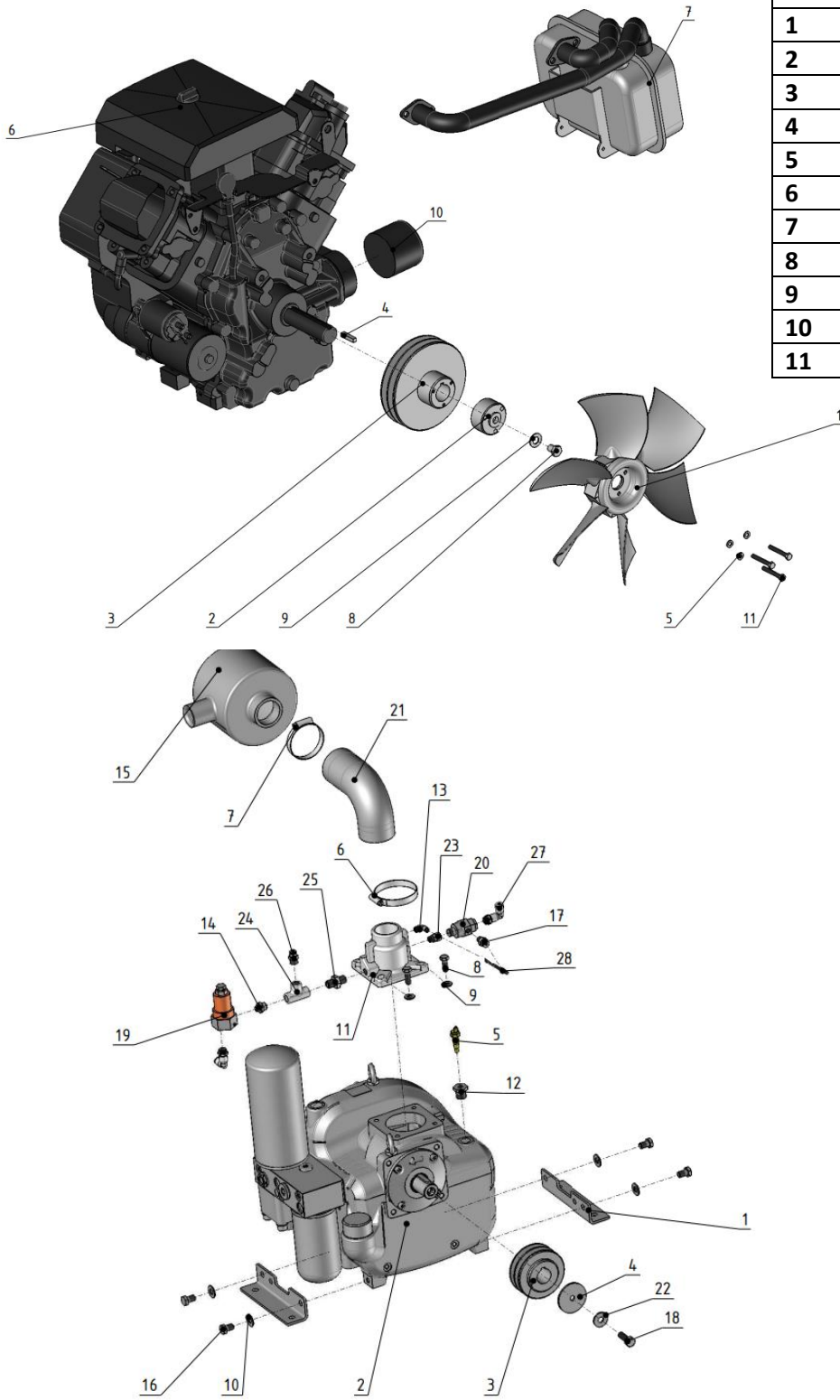


1. Ensure the capability of the unit to turn on has been removed.
2. Make sure the air end has had sufficient time to cool off prior to servicing.
3. Verify that the unit is not under pressure.
4. Unscrew the cartridge (arrow in image above shows cartridge location).
5. Clean seal area on the compressor itself ensuring it is free of debris.
6. Apply a thin coat of clean oil to the seal of the new cartridge
7. Screw on new cartridge taking care to not over tighten.

Troubleshooting

SYMPTOM	PROBABLE CAUSE	REMEDY
1. Compressor will not start.	<ol style="list-style-type: none"> 1. No fuel 2. Clogged fuel filter 3. Low battery voltage 4. Clogged air filter 5. Engine problems may have developed 6. Defective electrical safety 7. Blown fuse un wiring harness 8. Faulty electro-stop 	<p>Check fuel level and add fuel if necessary. Replace the filter cartridge and the secondary pre-filter. a. Check the voltage and recharge or replace if necessary. b. Loose battery cable, tighten cables. c. Dirty battery cables, clean thoroughly. Clean or replace the element. Refer to engine operators manual. Check and replace if necessary. Check continuity and replace if necessary. Check and replace if necessary.</p>
2. Compressor shuts down with air demand present.	<ol style="list-style-type: none"> 1. No fuel 2. Compressor discharge temperature switch is open 3. Extreme cold weather. 	<p>Check the level and add fuel if necessary. a. Cooling air flow is insufficient. Clean cooler and check for proper ventilation b. Low fluid sump level. Add fluid. c. Compressor fluid so dirty: change fluid. d. Fluid filter clogged: change cartridge. e. Defective discharge temperature switch. Check for a short or open circuit to the engine fuel rack solenoid should this check out normal; it is possible that the temperature switch is defective. Set the started valve on START-STOP position and let it run for 5 minutes.</p>
3. Compressor will not build up full discharge pressure.	<ol style="list-style-type: none"> 1. Air demand is too great. 2. Dirty air filter. 3. Pressure regulator out of adjustment. 4. Started valve on START-STOP position 	<p>Check service lines for leaks or open valves. Check the element and change or clean element if required. Adjust regulator. Turn the started valve to RUN position.</p>
4. Improper unloading with excessive pressure build-up causing pressure safety to open.	<ol style="list-style-type: none"> 1. Pressure regulating valve is set too high. 2. Inlet valve jammed. 3. Restriction in the control system. 4. Clogged regulating jet. 5. Defective pressure regulating valve. 	<p>Readjust. Free or replace valve. Check all control lines and components. Ice and other contaminants could cause restrictions. Check and replace if necessary. Check and replace if necessary.</p>
5. Insufficient air delivery.	<ol style="list-style-type: none"> 1. Clogged air filter 2. Clogged air/fluid separator. 3. Defective pressure regulator 4. Engine speed too low 5. Leak in control system causing loss of pressure signal. 6. Started valve on START-STOP position 	<p>Clean or replace. Replace separator element and also change compressor fluid and fluid filter at this time. Adjust or repair. Readjust engine speed Check all control lines. Check and replace if necessary.</p>
6. Excessive compressor fluid consumption	<ol style="list-style-type: none"> 1. Clogged return line. 2. Leaks in lubrication system. 3. Separator element damaged or not functioning properly. 4. Fluid separator too full. 	<p>Clean return line orifice. Check all pipes, connections and components. Change separator element. Drain to correct level.</p>
7. Overheating of the compressor	<ol style="list-style-type: none"> 1. Engine belts too loose or broken. 2. Central part of the oil cooler clogged with dirt. 3. Oil cooler pipes (internal) clogged. 4. Low oil level in the separator. 5. Oil filter clogged. 6. Oil discharge line clogged. 7. Recycling of hot air. 	<p>Retighten or replace. Clean it thoroughly. Clean it thoroughly. Refill. Replace the cartridge. Clean the hole and the pipe. Check hood lock and sealing of partitions.</p>
8. Overheating of the engine	<ol style="list-style-type: none"> 1. Fan belt loose or broken. 2. Central part of the radiator clogged with dirt. 3. Oil level too low. 4. Cooler clogged. 	<p>Retighten or replace. Clean it thoroughly. Refill. Clean it thoroughly.</p>

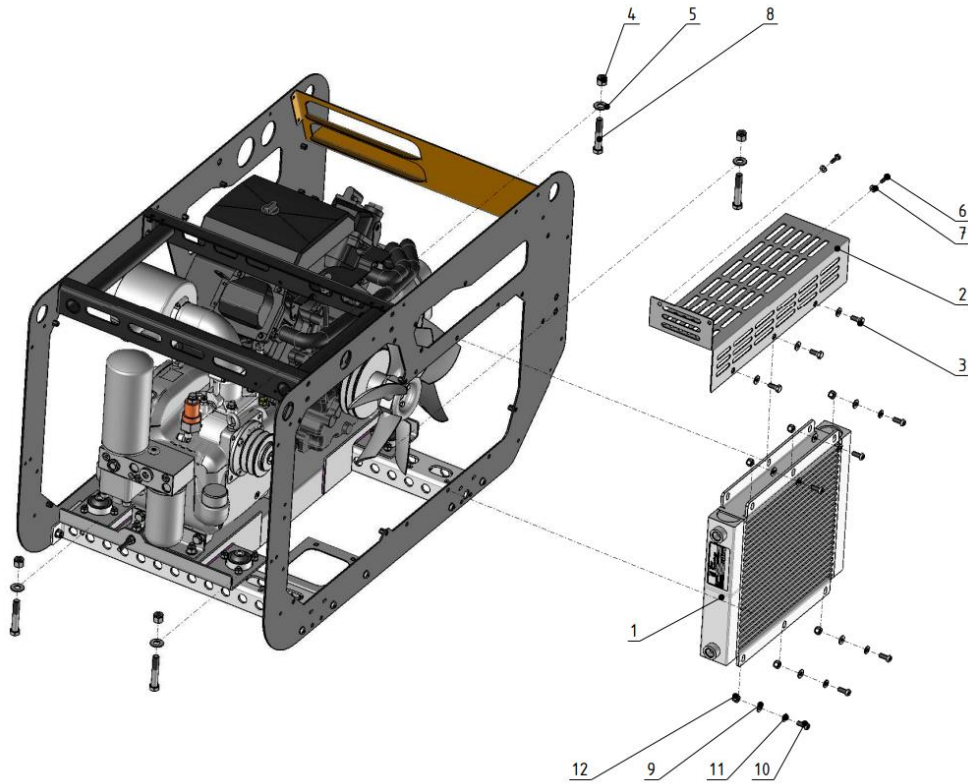
Parts Explosion Detail



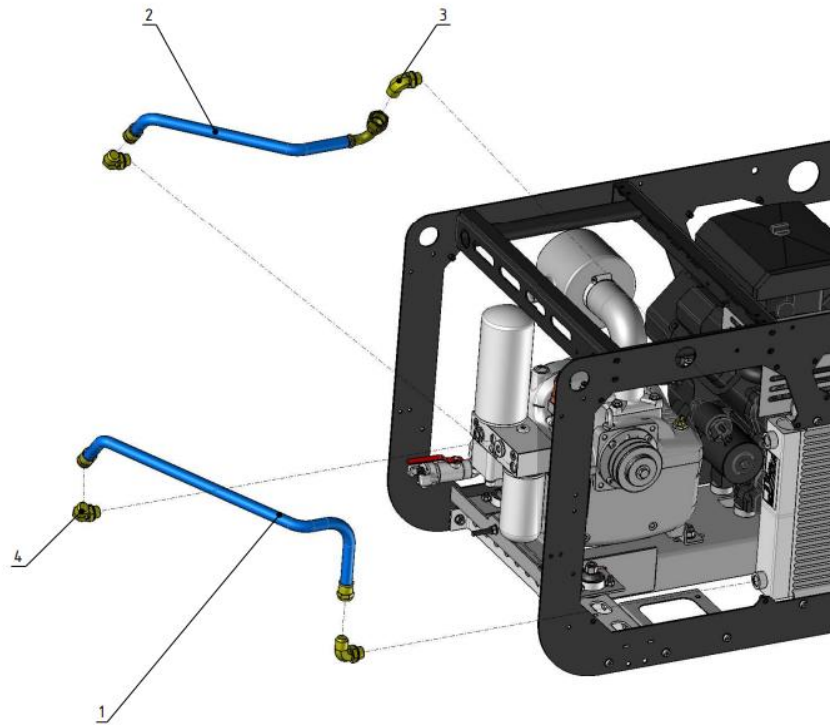
PART	DESCRIPTION
1	Ventilator
2	Brace
3	Pulley
4	Pin
5	Serrated contact washer
6	Engine
7	Exhaust muffler
8	Screw
9	Washer
10	Engine oil filter
11	Screw

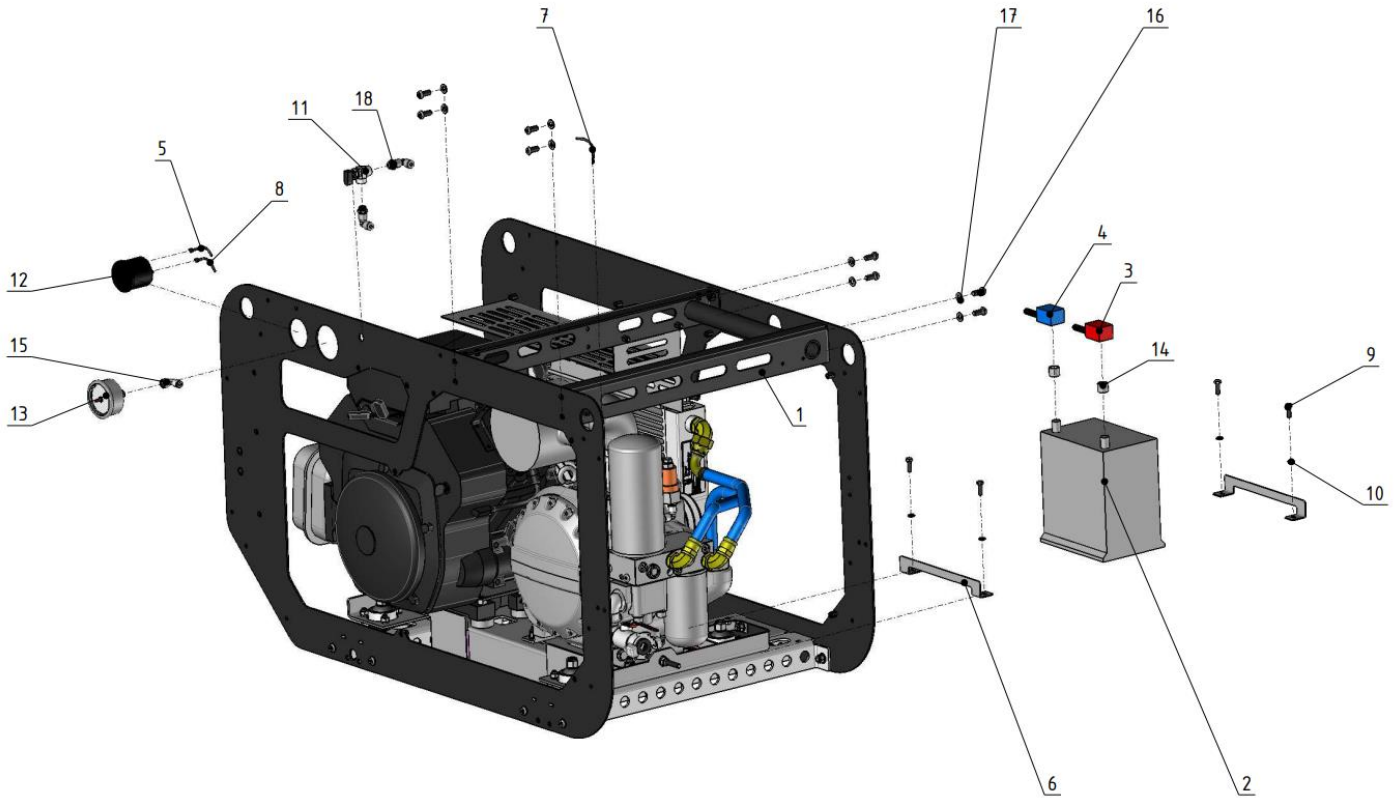
PART	DESCRIPTION
1	Support
2	Air end
3	Puller
4	Washer
5	Probe
6	Hose clamp
7	Hose clamp
8	Screw
9	Washer
10	Washer
11	Inlet valve
12	Nipple
13	Union
14	Nipple
15	Air filter
16	Screw
17	Union
18	Screw
19	Regulator
20	Vacuum valve
21	Hose
22	Washer
23	Nipple
24	Tee fitting
25	Nipple
26	Union
27	Union
28	Hose

PART	DESCRIPTION
1	Radiator
2	Radiator shield
3	Screw
4	Hexagon torque nut
5	Washer
6	Screw
7	Washer
8	Screw
9	Washer
10	Screw
11	Serrated contact washer
12	Hexagon torque nut



PART	DESCRIPTION
1	Hydraulic hose
2	Hydraulic hose
3	Elbow
4	Elbow





PART	DESCRIPTION
1	Guide
2	Battery
3	Cable +
4	Cable -
5	Cable
6	Battery holder
7	Cable
8	Cable
9	Screw
10	Washer
11	Start/Stop/Run valve
12	Hour meter
13	Pressure gauge
14	Adaptor
15	Union
16	Screw
17	Serrated contact washer
18	Union

Warranty Statement

The manufacturer makes the following warranty statement:

1. **THAT EACH ROTARY SCREW AIR COMPRESSOR PUMP TO BE FREE FROM DEFECTS IN MATERIAL, WORKMANSHIP, AND PARTS FOR 10 YEARS ON THE ROTARY SCREW AIR COMPRESSOR PUMP FROM THE DATE OF PURCHASE.** Manufacturer is not responsible for downtime during warranty service. If downtime is necessary, it is the Purchaser's discretion and obligation (at Purchaser's expense) to have a redundant unit. This warranty applies to rotary screw rotors and bearings. The electric motor carries a five-year warranty and a two-year warranty on the rest of the compressor unit. The screw compressor **MUST** have Airbase lubricant synthetic exclusively, the same which must be purchased from manufacturer (Mixing different brands of oil will void this warranty and cause the rotors to varnish). All air filters, oil filters, and oil separator filters must be purchased from manufacturer and the screw compressor must have Airbase synthetic rotary screw oil, purchased exclusively from manufacturer, for this warranty to apply.

Annual participation in all oil programs are required by original purchaser of the unit outlined by the following:

- a. Purchase an oil sample kit for oil analysis by manufacturer
- b. Oil sample kit contains 20 oil sample containers. One (1) oil sample is to be sent for analysis by manufacturer to oil analysis laboratory every six (6) months so oil can be tested twice yearly.
- c. Oil samples are obtained by draining 4 oz. of oil into container then mailing sample container to laboratory address provided in oil sample kit.
- d. The laboratory will perform an oil analysis then email a report
- e. Provide annual proof of purchase for oil/filter service kit.
- f. Always maintain proper oil level in unit. If the unit runs out of oil, this warranty is null and void.

Failure of original purchaser to comply with any of the above conditions pertaining to oil analysis with void the complete unit warranty. A full detailed maintenance schedule must be sent to Eaton Compressor and Fabrication Co., Inc. once a year with the total service completed quarterly, outlining each air filter, oil filter and oil change with the total hours on the unit after each maintenance was performed. Failure to fully comply with this warranty and fully comply with the manual herein will void this warranty.

Exclusions to this warranty also include all normal wear and tear items, including, but not limited to the bearings, rotors, valves, belts, shaft seal and load/unload solenoids.

2. **THAT EACH BARE COMPRESSOR PUMP UNIT TO BE FREE FROM DEFECTS IN MATERIAL, WORKMANSHIP, AND PARTS FOR 5 YEARS FOR THE UNIT FROM THE DATE OF PURCHASE.** Manufacturer is not responsible for downtime during warranty service. If downtime is necessary, it is the Purchaser's discretion and obligation (at Purchaser's expense) to have a redundant unit. Warranty repairs shall not include freight costs. Purchaser is responsible for returning unit to manufacturer. This pump must have Airbase lubricant synthetic oil exclusively, the same which must be purchased from manufacturer. (Mixing different brands of oils will void the pump warranty). A service kit must be purchased from manufacturer for this warranty to apply. Service kits contain an air filter and synthetic oil that must be changed annually. Annual proof of purchase of all oil programs must be maintained by the original purchaser of the compressor pump. If the unit runs out of oil, this warranty is void. Failure to fully comply with this warranty and fully comply with the manual herein will void this warranty. Exclusions include: service such as OIL CHANGES, FILTER REPLACEMENTS, GASKET TIGHTENING TO CORRECT OIL SEEPAGE or DRIVE BELT TIGHTENING and VALVE CLEANING and are not covered under warranty.

Warranty shall be void under the following conditions: Failure to routinely change oil and to maintain a clean filter, or exceeding duty cycle resulting in overheating and excessive wear and tear, or exposing electrical components to rain or water, or installing the unit in a hostile environment such as acid vapors or any caustic or abrasive matter that may be ingested into the pump, or installing the unit in an enclosed area where lack of cooling ventilation is present, such as in boiler or equipment rooms or anywhere the ambient air exceeds 110°F.

3. **THAT EACH COMPRESSOR UNIT TO BE FREE FROM DEFECTS IN MATERIAL, WORKMANSHIP, AND PARTS FOR 5 YEARS FOR THE COMPRESSOR PUMP AND 2 YEARS ON THE REMAINDER OF THE UNIT FROM THE DATE OF PURCHASE.** The UNIT also carries a 1-year labor warranty. Manufacturer is not responsible for downtime during warranty service. If downtime is necessary, it is the Purchaser's discretion and obligation (at Purchaser's expense) to have a redundant compressor. Warranty repairs shall not include freight costs. Purchaser is responsible for returning unit to Eaton Compressor and Fabrication Co., Inc. This pump MUST have Airbase lubricant synthetic exclusively, the same which must be purchased from manufacturer (Mixing different brands of oil will void this warranty). A service kit must be purchased from manufacturer, Inc. for this warranty to apply. Service kits contain an air filter and synthetic oil that must be changed annually or at set interval based on operating hours. Annual proof of purchase of all oil programs must be maintained by the original purchaser of the compressor unit. **If the unit runs out of oil, this warranty is void.** Failure to fully comply with this warranty and fully comply with the manual herein will void this warranty.

Exclusions include: service such as OIL CHANGES, FILTER REPLACEMENTS, GASKET TIGHTENING TO CORRECT OIL SEEPAGE or DRIVE BELT TIGHTENING and VALVE CLEANING and are not covered under warranty.

Warranty shall be void under the following conditions: Failure to routinely change oil and to maintain a clean filter, or exceeding 70% duty cycle resulting in overheating and excessive wear and tear, or exposing electrical components to rain or water, or installing the unit in a hostile environment such as acid vapors or any caustic or abrasive matter that may be ingested into the pump, or installing the unit in an enclosed area where lack of cooling ventilation is present, such as in boiler or equipment rooms where the ambient air exceeds 100°F.

4. **GENERAL PROVISIONS:** Manufacturer is not responsible for downtime during warranty service. If downtime is necessary, it is the Purchaser's discretion and obligation (at Purchaser's expense) to have a redundant compressor. Warranty repairs shall not include freight costs. If necessary, the Purchaser is responsible for returning unit and/or applicable part(s) to manufacturer. Exclusions include: service such as OIL CHANGES, FILTER REPLACEMENTS, GASKET TIGHTENING TO CORRECT OIL SEEPAGE or DRIVE BELT TIGHTENING and VALVE CLEANING and are not covered under warranty. Further Exclusions include failure to fully and completely follow the guidelines set forth in the manual. Of specific note is where a product is used where granite and/or concrete work is performed, or conditions are dusty and the product is required to be housed in a separate room from the adverse conditions where the product has access to fresh air intake.

Parts shipped for warranty repairs shall only include ground freight charges for the first 90 days of the warranty period, thereafter owner is responsible for all freight charges of parts shipped for warranty. Any and all express shipping charges of warranty parts would be at the owner's expense. Standard technical assistance is provided at no charge during and after the standard warranty period.

Standard warranty has no obligation to maintain warranty status, warranty will expire one year from date of delivery. Please see available options to extend your warranty.

All warranties are nontransferable. The Oil Purchase Program is effective as of January 1, 2011.

5. **Manufacturer offers this extensive warranty to the original purchaser of our trailers. Warranty starts from the ship date of the unit.** Manufacturer warranties the trailer main frame to the original licensed owner to be free from defects in material and workmanship with the following conditions: This **LIMITED WARRANTY** does not cover the tires, wheels, suspension, paint/finish, lights, wiring or any other features outside of the trailer weldment, the correct operation of the tow bar, and/or the ball hitch mount. Limited Warranty is determined by the following criteria: one year, to the original owner and is non-transferable, limited to the first accident or overloading. This warranty also DOES NOT cover:
- Products which have been operated in excess of rated capabilities
 - Misuse, abuse, or accidents
 - Trailers which have been altered, modified, or repaired in any manner not authorized by manufacturer.
6. **Manufacturer warranties each new product to be free from defects in material and workmanship for a period of one year from the date of delivery to the original purchaser except as noted below:**
- New products which have been operated in excess of rated capabilities.
 - Misuse, abuse, or accidents.
 - Items that have been pinched (air, electrical, or hose lines).
 - Any modifications or repairs not authorized by manufacturer.
 - Second hand or used equipment.
 - Wear items such as tires, suspension, bearings, and trailer stand leg.
 - Products that have not properly been maintained.

In no way shall the manufacturer be held liable for consequential damages such as rentals of substitute vehicles, loss of profits, downtime, or other commercial losses. This warranty covers shipment of trailer or parts to dealer or authorized repair center and shall only include ground freight charges for the first 90 days of the warranty period.

7. **Tire Limited warranty** is covered by compressor manufacturer for a period of 60 days from delivery of the unit. Our obligation under this warranty is to repair or replace, at no cost to the end user, any warrantable part proven defective within the time limit of this warranty. Warranty on tires is limited to defects from manufacturer and **WILL NOT** cover incidentals such as but not limited to:
 - a. Puncture from foreign materials. (nails, rocks, glass, screws, etc.)
 - b. Rupture from overfill.
 - c. Rupture and/or damage from use off road
 - d. Damage from improper mounting and or overloading
 - e. Damage from under inflation.

