



Red
Mountain Valley®

Assembly Instructions & User's Manual

47 In Fire Pit with BBQ Grate

Style # 2A-OC001,2A-OC002,2A-OC003,2A-OC137,2A-OC138,2A-OC139



WARNING

For Outdoor Use Only
(outside any enclosure)

Table of Contents

| | |
|----------------------------|----|
| Warnings..... | 2 |
| Tools and Parts..... | 5 |
| Assembly Instructions..... | 6 |
| Care and Maintenance..... | 9 |
| Warranty Information..... | 10 |

Note: Before beginning assembly of product, make sure all parts are present. Compare parts with package content list and hardware contents. If any part is missing or damaged do not attempt to assemble the unit. Contact customer service for replacement parts.



Warnings

1. DO NOT use this fire pit without reading this entire document and all WARNINGS, cautions and instructions.
2. This item is for outdoor use only, and shall NOT be used in a building, garage or any other enclosed area
3. DO NOT use this fire pit for indoor heating. TOXIC carbon monoxide fumes can accumulate and cause asphyxiation or death
4. This fire pit is NOT for commercial use.
5. This fire pit is NOT to be operated by children.
6. This fire pit is NOT to be used in or on boats or recreational vehicles.
7. Always use in accordance with all applicable local, state and national codes. Contact your local fire department for details on outdoor burning.
8. When using this fire pit, exercise the same precautions you would with any open fire.
9. The use of alcohol, prescription or non-prescription drugs may impair the consumer's ability to properly assemble or safely operate this fire pit.
10. This fire pit is for use with dry, seasoned hardwood. It will burn hotter, more completely and create less smoke.
11. DO NOT burn lump charcoal, manufactured logs, driftwood, trash, leaves, papers, cardboard, plywood, painted or stained or pressure treated wood. Avoid using softwoods such as pine or cedar that can throw sparks.
12. DO NOT alter this fire pit in any manner.
13. DO NOT use this fire pit until it is COMPLETELY assembled and all parts are securely fastened and tightened.
14. DO NOT store or use gasoline or other flammable vapors or liquids in the vicinity of this or any other appliance.
15. DO NOT store or use an LP gas cylinder within 10 feet (3.05 m) of this fire pit while it is in operation. The fire pit should be placed no closer than 24 inch from walls during use.











16. DO NOT use this fire pit near automobiles, trucks, vans or recreational vehicles.
17. DO NOT use in an explosive atmosphere. Keep outdoor area clean and free from combustible materials, gasoline and other flammable liquids.
18. DO NOT use this fire pit under an overhead or near any unprotected combustible constructions. Avoid using near or under overhanging trees and shrubs.
19. Always use this fire pit on a hard level non-combustible surface such as concrete, rock or stone. An asphalt or blacktop surface may not be acceptable for this purpose. DO NOT use on wooden decks.
20. Always empty this fire pit before each use.
21. DO NOT wear flammable or loose clothing when operating this fire pit.
22. DO NOT use in windy conditions.
23. DO NOT use gasoline, kerosene, diesel fuel, lighter fluid to start or relight fires.
24. Keep all electrical cords away from a hot fire pit.
25. All surfaces of this fire pit are hot when in operation. To avoid burns, do NOT touch fire pit until it has completely cooled unless you are wearing protective gear (potholders, gloves, BBQ mittens, hot pads , etc). Never touch ashes to start or coals to see if they are hot.
26. DO NOT leave a lit fire pit unattended, especially around children and pets.
27. DO NOT attempt to move or store this fire pit until ashes and coals are completely extinguished.
28. DO NOT remove ashes or coals until they are completely and extinguished.
29. Use heat-resistant gloves or hot pads when contacting handles.
30. Use long, sturdy fire pit tools when adding or moving logs.
31. DO NOT place wood directly into bottom of the fire pit. Place wood only on the center of the fire bowl.
32. DO NOT overload the fire pit. DO NOT add additional firewood until the fire burns down. NOTICE: If any portion of the bowl of this fire pit are glowing red, it is overloaded.
33. DO NOT lean over this fire pit when lighting or when in use.

34. DO NOT place hot pit tools onto combustible surface such as grass, wooden deck or furniture.
35. Avoid breathing smoke from the fire and avoid getting it into your eyes.
36. This fire pit should be thoroughly inspected and cleaned on a regular basis.
37. After a period of storage and/or non-use, check for signs of damage and creosote build-up. DO NOT operate until necessary repairs and/or clean up is executed.
38. Death, serious injury or damage to property may occur if the above is not followed exactly.





Tools Required

| | | |
|---|----------------------------|--|
| 1 | Phillips Head Screwdriver |  |
| 2 | Adjustable open end wrench |  |

Parts List

| | | | |
|----|------------------------|--|---|
| A | Swing Handle |  | 1 |
| B | Lift Handle |  | 1 |
| C1 | Cooking Grate |  | 1 |
| C2 | Cooking Grate Pole |  | 1 |
| D | L-Pin |  | 1 |
| E | Table Pane |  | 4 |
| F | Fire Bowl |  | 1 |
| G1 | Support Ring Section-A |  | 4 |
| G2 | Support Ring Section-B |  | 4 |
| H | Leg |  | 4 |

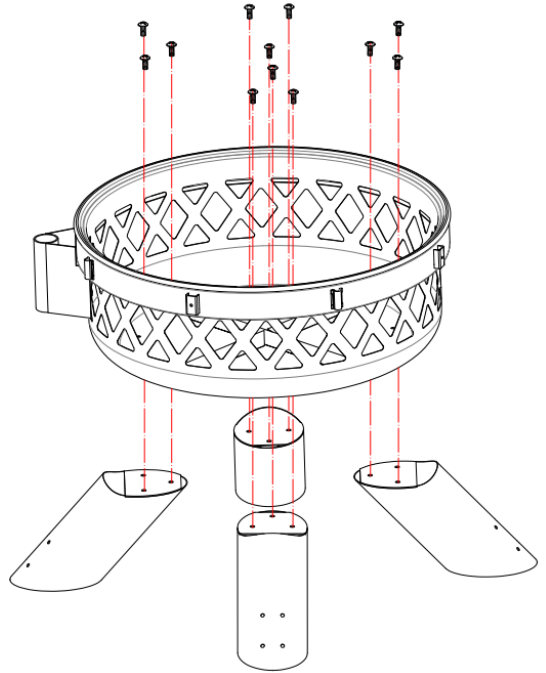
Hardware

| | | | |
|---|--------------|---|----|
| J | M6 x 14 Bolt |  | 41 |
| L | M6 x 20 Bolt |  | 8 |
| M | M6 Nut |  | 10 |
| N | Wing Bolt |  | 4 |

Assembly Instructions

Step 1:

Attach (4) legs (H) to fire bowl (F) with (12) M6 x 14 bolts (J)

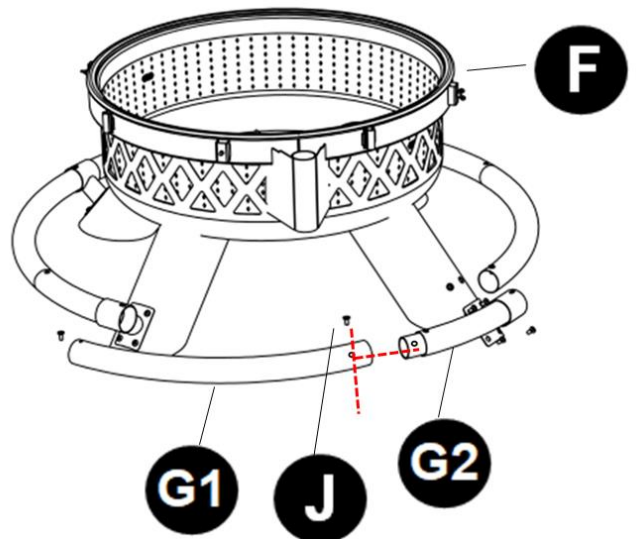


Step 2:

Insert one support ring section (G1) into (G2) and attach the support ring assembly to leg (H) with M6 x 14 Bolt (J)

(4) M6 x 14 bolts (J) as illustrated. Repeat the same procedure to install the other support ring sections (G1+G2).

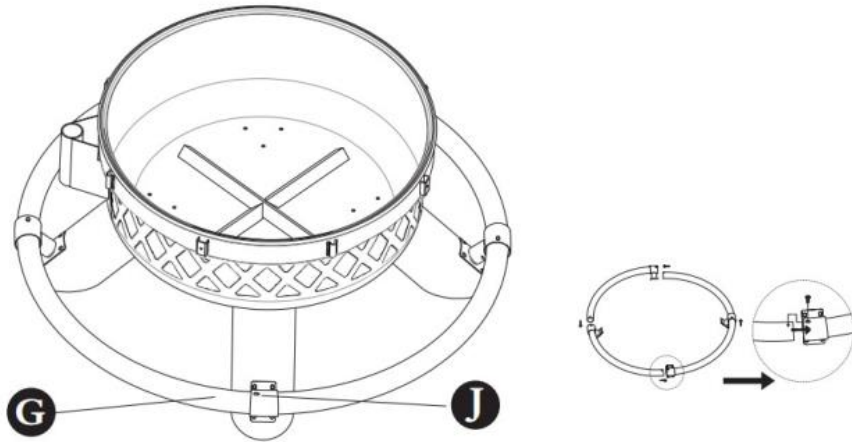
NOTE: Keep all bolts loose during the assembly of this step until all parts are installed into the correct position.



Assembly Instructions

Step 3:

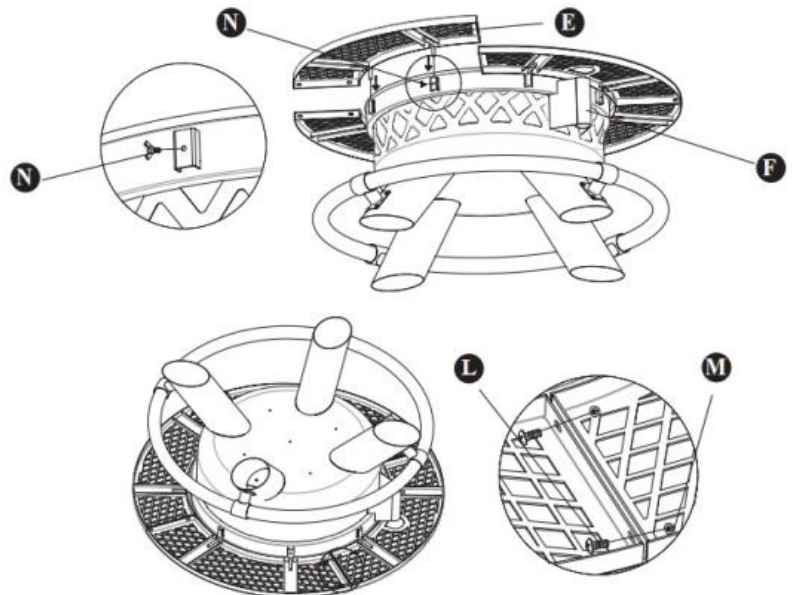
Secure (4) support ring sections (G) with (4) M6 x 14 bolts (J).



Step 4:

Insert (2) the pins on table panels (E) into the fixed brackets on the fire bowl (F) as illustrated. Connect table panels (E) with (8) M6 x 20 bolts (L) and (8) M6 nuts (M). Attach (4) wing nuts (N) to the fixed brackets on the fire bowl (F) as illustrated.

NOTE: The hole on the table panel (E) should be placed right upon the pole on the fire bowl (F).

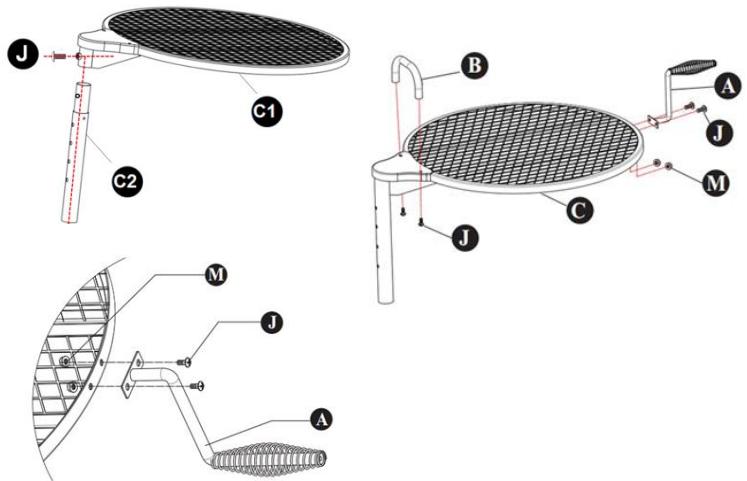


Assembly Instructions

Step 5:

Insert the Grate(C1) and Pole(C2) were connected by M6 x 14 Bolt(J)

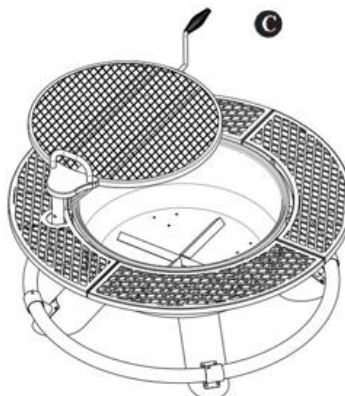
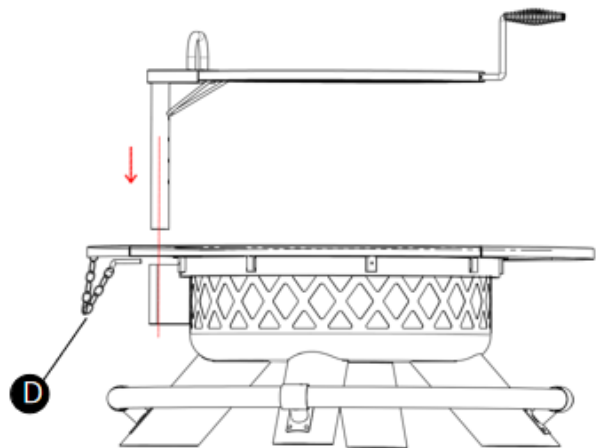
Attach the lift handle (B) to cooking grid(C) with (2) M6*14bolts (J) as illustrated . Attach the swing handle (A) to cooking grid (C) with (2) M6 x 14 (J) and (2) M6 nuts (M) as illustrated.



Step 6:

Insert the cooking grid (C) post into the table opening.

Insert L-pin (D) into the hole on the cooking grid securing the pole.



Care and Maintenance

Lighting

1. Make sure there is only a small amount of ash in the bottom of the bowl.
2. Place a layer of dry kindling or a natural fire-starter onto the center of the fire bowl.
3. Place above that a layer of dry seasoned hardwood that is no more than 3/4 the length of the bowl diameter.
4. Use a match to light kindling or fire-starter.

Tending the Fire

You may need to shift and/or add logs for an ideal experience.

DO NOT place hot fire pit tools onto combustible surfaces such as grass, wooden deck or furniture.

1. While using a long handled fire pit tool, shift coals and logs to allow additional airflow.
2. DO NOT add gasoline, kerosene, diesel fuel, lighter fluid or alcohol to relight or enhance an existing fire.
3. Wait until glowing coals have developed before adding any additional wood. If additional wood is required, place wood on top coals, be careful not to shift ashes.

Extinguishing

1. Allow fire to burn itself out.
2. DO NOT use water to extinguish as this is dangerous and can cause damage to this outdoor fire pit.

Inspecting

This fire pit should be inspected on a regular basis to ensure product safety and longer product life.

DO NOT attempt to inspect this fire pit until the fire is COMPLETELY out and cool to the touch.

1. Check components for any signs of damage or rust.
2. If damage to any component is detected, do NOT operate until repairs are executed.

Cleaning

This fire pit should be cleaned on a regular basis to promote safer experiences and longer product life.

Note: After repeated use, a slight discoloration of the finish may occur.

DO NOT attempt to clean this fire pit until the fire is COMPLETELY out and cool to the touch.

DO NOT use oven cleaner or abrasive cleaners as they will damage this product.

DO NOT clean any part of this fire pit in a self cleaning oven as it may damage the finish.

1. Wipe exterior surfaces with a mild dishwashing detergent or baking soda.
2. For stubborn surfaces use a citrus based degreaser and a nylon scrubbing brush.
3. Rinse and clean with water.
4. Remove built-up creosote from components with a chimney cleaning product.

Storage

Warranty Information

This product has been manufactured under the highest standards of quality and workmanship. We warrant to the original consumer purchaser that all aspects of this product will be free of defects in material and workmanship for one year from the date of purchase. A replacement for any defective part will be supplied free of charge for installation by the consumer. Defects or damage caused by the use of other than genuine parts are not covered by this warranty. This warranty shall be effective from the date of purchase as shown in the purchaser receipt.

This warranty is valid for the original consumer purchaser only and excludes industrial, commercial or business use of the product, product damage due to shipment or failure which results from alteration, product abuse, or product misuse, whether performed by a contractor , service company , or consumer. We will not be responsible for labor charges and/or damage incurred in installation, repair or replacement nor for incidental or consequential damage.