

VALLEYTM
Sportsman

Biaxial Roto-molded Coolers

Maximum Ice Retention



TAKE COLD STORAGE TO THE EXTREME

This heavy-duty cooler has been designed with you in mind to offer the highest performance for all your cooling needs. Whether it is an action-packed camping trip in the woods, a get together on the patio, or a weekend fishing trip on the water, you can count on this cooler to keep your food and beverages cold longer with its excellent construction and useful features.



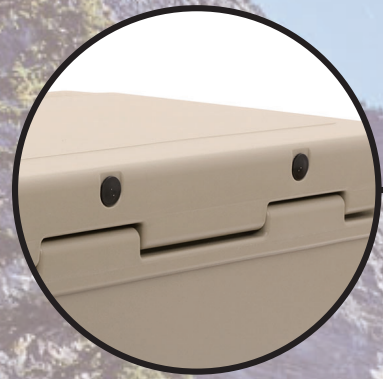
PERFORMANCE FEATURES:

- Thick insulated walls provide maximum ice retention
- FDA approved materials- non-toxic, tasteless and direct food contact approved
- UV resistant materials built-in to prevent wear from sun exposure
- Removable/replaceable easy-to-carry handle design
- Heavy-duty wheels (Except 20 Quart) for easy hauling and travelling.
- Easy-to-clean surface
- Dry ice compatible
- Integrated fish scale on cooler lid

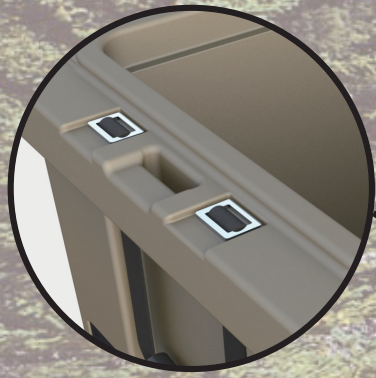




Fish Scale on lid
Easily measure your fish
Built-in Fillet Board



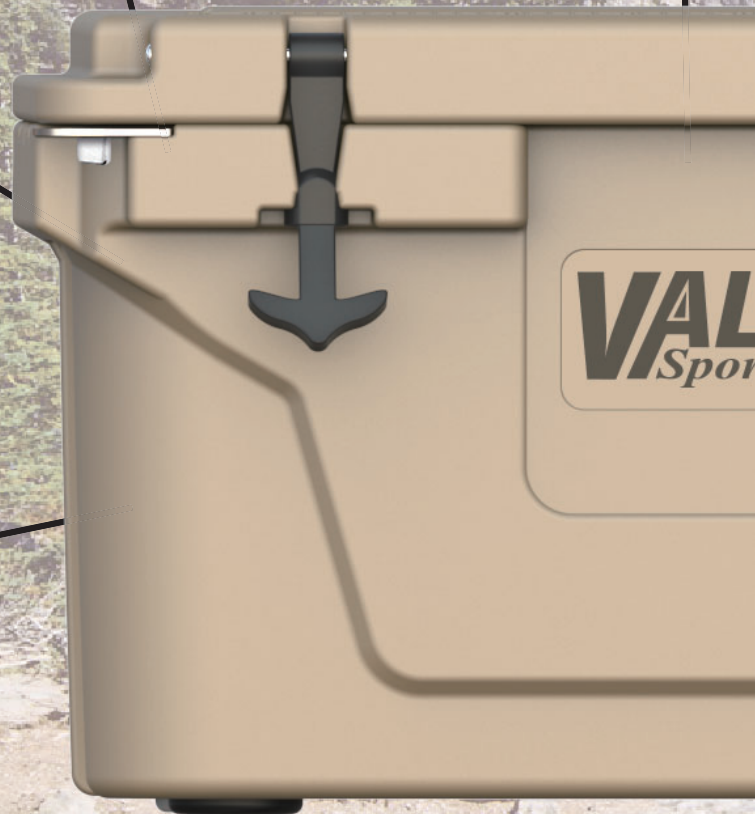
Heavy-Duty Integrated Hinge
Full Length interlocking system

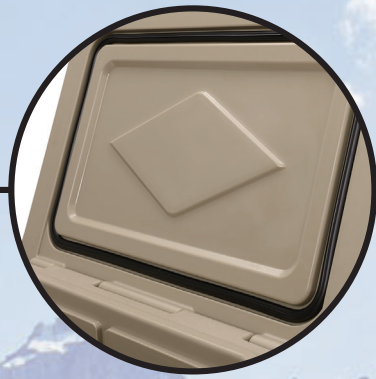


Molded Tie Down Slots
Keeps your cooler anchored



**Comfortable Heavy-Duty
Rope Handle**
Marine-grade ropes





Freezer Style Lid Gasket
Provides a tight seal



Heavy-Duty Rubber Latches
Smooth durable closure



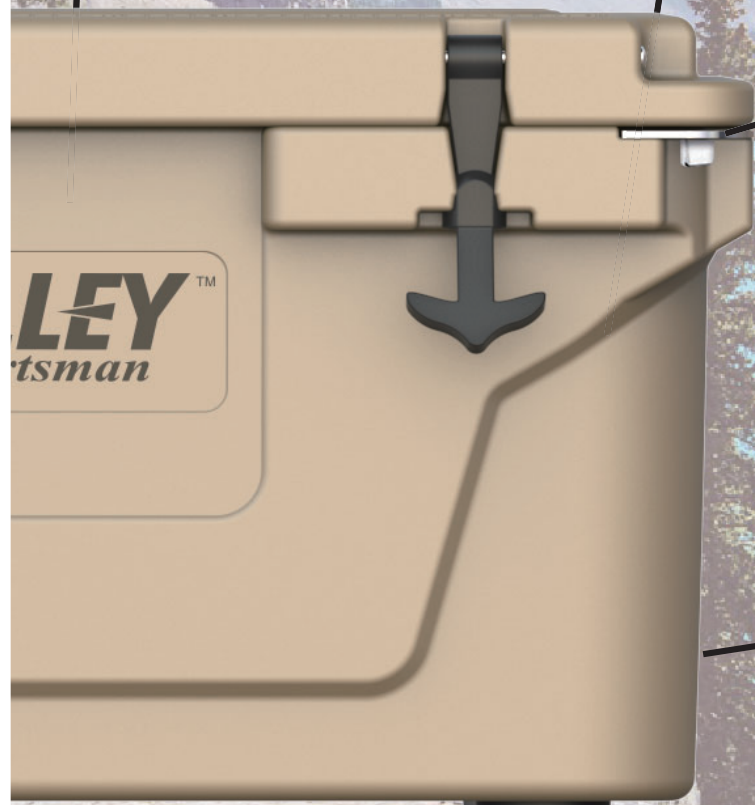
Built-in Bottle Opener
Effortlessly open bottles with the lid open or closed



Rapid Drain System
Allows quick draining
Easy-flow Drain Plug
keep ice in, let water out



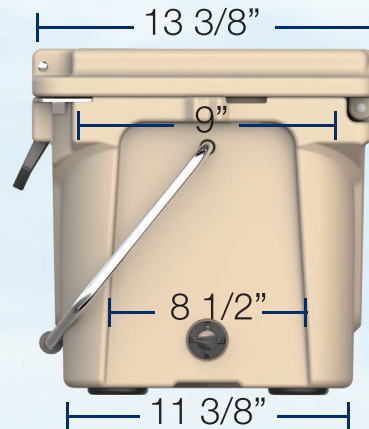
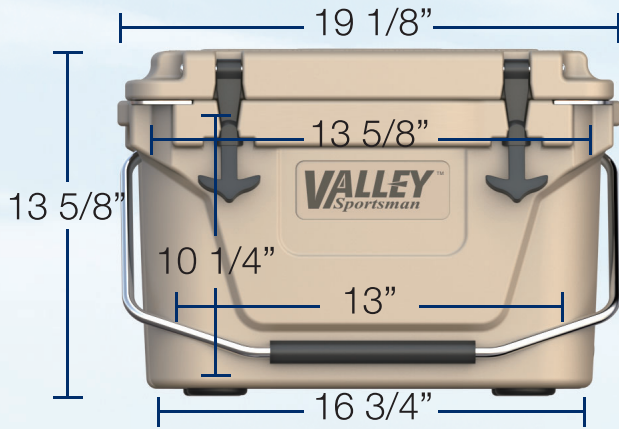
Non-slip Feet
Holds your cooler in place



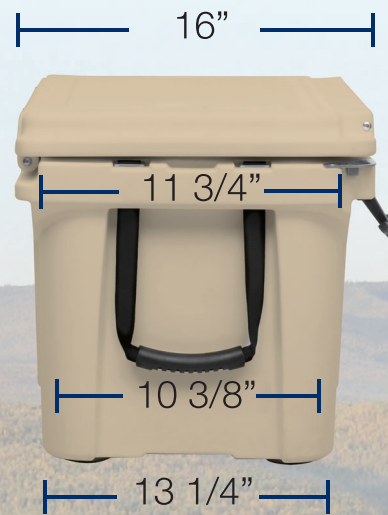
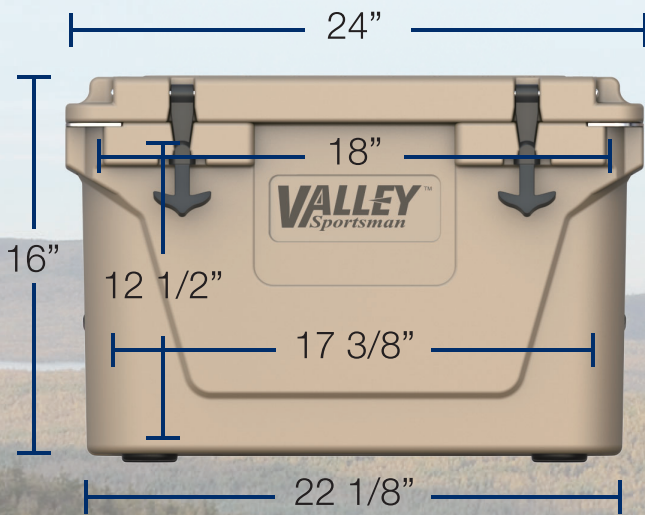
20 quart & 65quart



PRODUCT DIMENSIONS:

20
QT

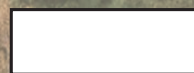
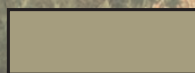


50
QT



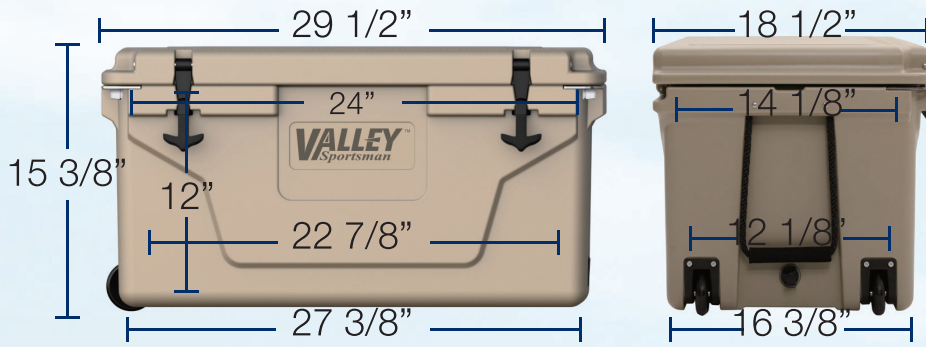
Model	Inner Dimensions	Outside Dimensions	Liquid Quart	12 oz Cans	Pounds of Ice (Only)
	W x H x L	W x H x L			
20QT	8 1/2" x 10 1/4" x 13"	13 3/8" x 13 5/8" x 19 1/8"	20QT	16	20
50QT	10 3/8" x 12 1/2" x 17 3/8"	16" x 16" x 24"	50QT	35	43

Using a 2:1 ice-to-can ratio by volume

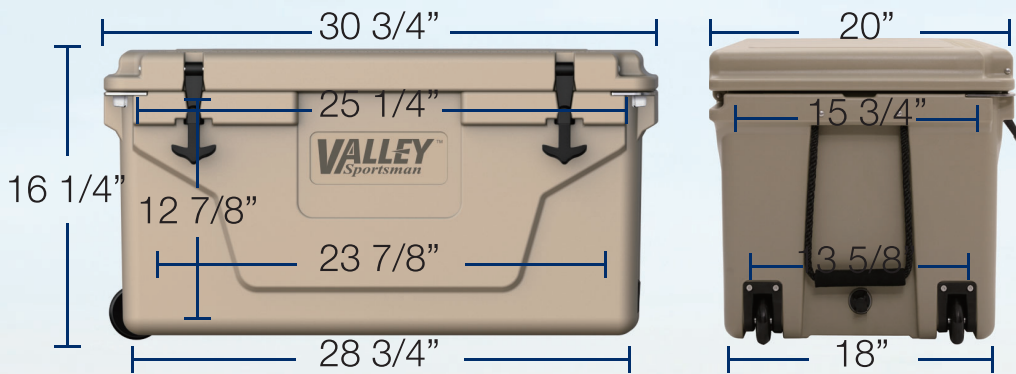


PRODUCT DIMENSIONS:

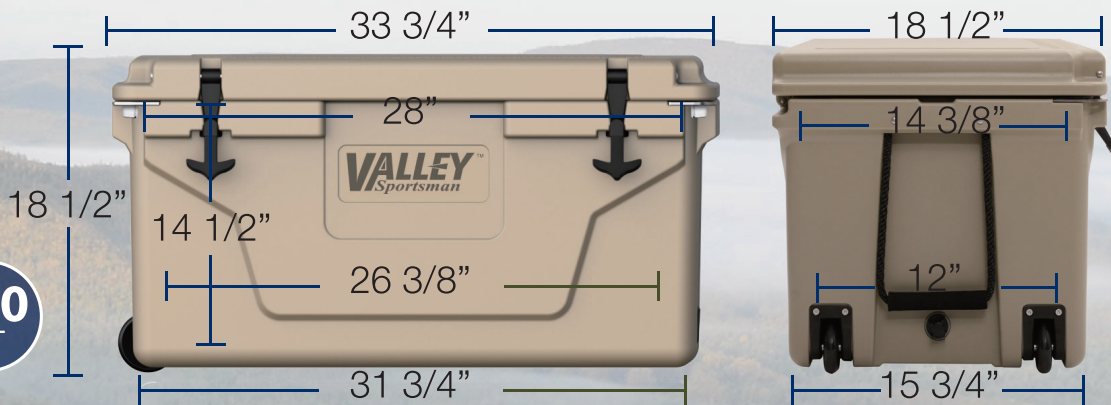
65
QT





85
QT



110
QT



Model	Inner Dimensions	Outside Dimensions	Liquid Quart	12 oz Cans	Pounds of Ice (Only)
	W x H x L	W x H x L			
65QT	12 1/8" x 12" x 22 7/8"	18 1/2" x 15 3/8" x 29 1/2"	65QT	54	60
85QT	13 5/8" x 12 7/8" x 23 7/8"	20" x 16 1/4" x 30 3/4"	85QT	63	80
110QT	12" x 14 1/2" x 26 3/8"	18 1/2" x 18 1/2" x 33 3/4"	110QT	74	90

Using a 2:1 ice-to-can ratio by volume



USE AND CARE

Tips for Maximum Ice Performance:

Pre-chill before you load contents:

Because the insulation maintains hot and cold temperatures, pre-cooling your cooler will bring the internal temperature to the correct level to maintain optimum ice performance and prevents your ice being wasted on cooling the cooler itself. Pre-cool the cooler at least 4 hours before loading contents by placing an extra bag of ice or dry ice* in the chest.

Pre-Chill/Freeze contents:

Chill or freeze any beverages/food you will be placing in your cooler before you pack the contents.

Ice Temperatures Vary

Block ice melts slower than cube ice, but cube ice with a larger surface area will cool items faster. Consider mixing both types.

Use very cold solid ice over “wet ice” that is already melting.

*This cooler is **dry ice compatible**. Dry Ice (CO₂) made from frozen carbon dioxide is an excellent way to achieve super cold temperatures without any water residue. **Always handle dry ice with caution.** Wear leather or fabric gloves as it can cause freeze burn to the skin. Make sure area is properly ventilated when using dry ice.

Keep Air Out

Fill cooler with as much ice as possible to reduce empty air areas that will accelerate ice melt. Consider using towels or newspaper to fill in areas if you don't have more ice. During use, keep lid shut as much as possible to retain the cool air and prevent ice melt.

Cleaning Your Cooler:

For first time use and general cleaning, we suggest you clean with warm water and dish soap.

For tough stains and odors or if your cooler has had direct food contact, use a 6:1 mixture of water and household bleach and scrub with a brush. Be sure to clean the entire gasket area and rim. Remember to clean the threads by the drain area (toothbrush is useful). Make sure cooler is completely dry before closing and store in a cool covered space.

WARNING: Suffocation hazard. Do not allow children to play on, in or around cooler. Child can become trapped inside. Serious harm or potential fatal injury can occur. When cooler is not in use, it should be securely closed and locked.



VALLEYTM
Sportsman