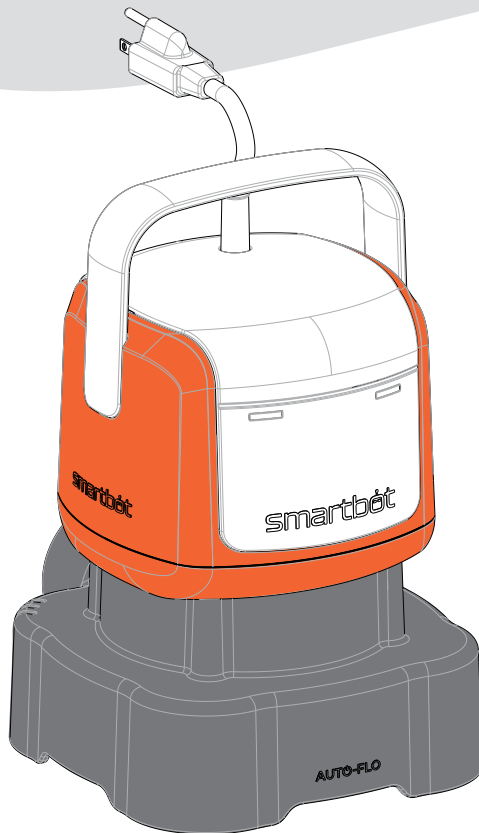


# smartbot®

## Submersible Utility Pump Robust 2800 & Super 3600 Instruction Manual

Small but Mighty



**⚠** READ THIS MANUAL BEFORE USING THIS PRODUCT. FAILURE TO FOLLOW THE INSTRUCTIONS AND SAFETY PRECAUTIONS IN THE MANUAL CAN RESULT IN SERIOUS INJURY OR DEATH. KEEP THIS MANUAL FOR FUTURE REFERENCE.

Thanks for choosing the Smartbot Robust 2800 or Super 3600 submersible utility pump.

If you have any questions about your Smartbot pump, call the Smartbot Helpline with your model information and details of where/when you bought the pump, or contact us via the Smartbot website.



Smartbot  
customer care

Helpline: 1-866-807-1227  
[www.smartbotpumps.com](http://www.smartbotpumps.com)

## ⚠ DANGER / WARNING / CAUTION / NOTICE

Only people well acquainted with these rules of safe operation should be allowed to use the unit. Keep away from children!

### Safety Signal Words

**⚠ DANGER** Indicates an imminently hazardous situation which, if NOT avoided, WILL result in death or serious injury.

**⚠ WARNING** Indicates a potentially hazardous situation which, if NOT avoided, could result in death or serious injury.

**⚠ CAUTION** Indicates a potentially hazardous situation which, if NOT avoided, MAY result in minor or moderate injury.

**⚠ NOTICE** Indicates important information, that if NOT followed, MAY cause damage to equipment.

#### ⚠ DANGER

- This pump is NOT rated for use with flammable / combustible liquids, vapors, or dust. The pump should be used to pump clear water ONLY. Failure to follow these instructions WILL result in bodily injury or death.
- Electric shock hazard! GFCI receptacles will provide protection against line-to-ground faults only. The ground fault receptacle does NOT limit the magnitude of a fault current and will NOT prevent an electric shock.
- DO NOT use pump if any part of the housing switch or probe is cracked, broken, or missing.
- Always disconnect electrical supply before attempting to install, service, relocate, or perform any maintenance. Failure to do so WILL result in fatal electric shock!
- Electric shock hazard! Use only Underwriters Laboratories (UL)- listed extension cord with #16 gauge or larger wire that is labeled for outdoor use. Use polarized grounding-type plugs only.
- DO NOT attempt to service or open this product while it is connected to an electrical power supply.
- Do NOT destroy and cut off the power cord for wiring, otherwise, you will be electrocuted.

#### ⚠ WARNING

- Electrical connections must be moved to higher ground in order to reduce risk of flooding.
- If using an extension cord, do NOT allow pump cord/extension cord connection to fall into pool or come in contact with water. Pump/extension cord connection must be kept dry and away from moisture. DO NOT handle plug connector near water.

- DO NOT use the power cord or discharge hose to carry or handle the pump. Doing so may cause damage to either the power cord or discharge hose. Use the carrying handle supplied with the pump.
- Never touch any electrical device, including this pump, while it is touching water, in water, or while in a moist environment. Always unplug the unit while performing maintenance or installing items.
- If the water contains caustic chemicals, highly chlorinated water, and/or foreign materials, the pump cannot be applied in these circumstances.
- Always use a grounded outlet to attach the plug. A three-pronged outlet must be used for safety purposes. This should be in accordance with the National Electric Code and any additional codes required by law.
- This unit is NOT designed for use as a sump pump or for sump applications. It is also NOT designed for use in septic tanks or underground vaults to pump raw sewage or effluents. This can never be used with hazardous materials or in explosive locations.
- For safety reasons, it is recommended to use sockets with leakage protection, especially in humid environments. The leakage protection device used should have the appropriate UL safety certification.
- DO NOT attempt to service or open this product while it is connected to an electrical power supply.
- DO NOT use this product to pump chemicals or corrosive liquids, damage to seals and moving parts will result.
- DO NOT lift this product by the electrical power cord.

#### ⚠ CAUTION

- Check for damaged parts before each use. Carefully check that the pump is operating and performing it's intended functions. Replace damaged or worn parts immediately. Never operate the pump if anything is damaged, not working properly.
- Never install a shutoff valve in the suction or discharge of this pump. This will cause excessive friction loss and will damage the pump. It will also void the warranty.
- All connections must be air-tight. A single leak will prevent proper operation of the pump and may cause the pump to run dry. If the pump runs dry, this will void the warranty.
- DO NOT run the pump with the outlet closed or blocked. The excessive pressure will cause the pump to explode and cause injury or death.
- DO NOT pump water that is hotter than 95° F.
- DO NOT let water inside pump freeze or let frost build up on pump.

#### ⚠ NOTICE

- Before attaching hoses to the inlet and outlet, wrap the threads of hose with PTFE tape.

## Application

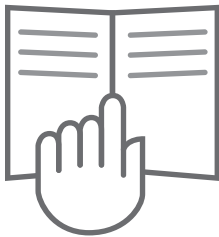
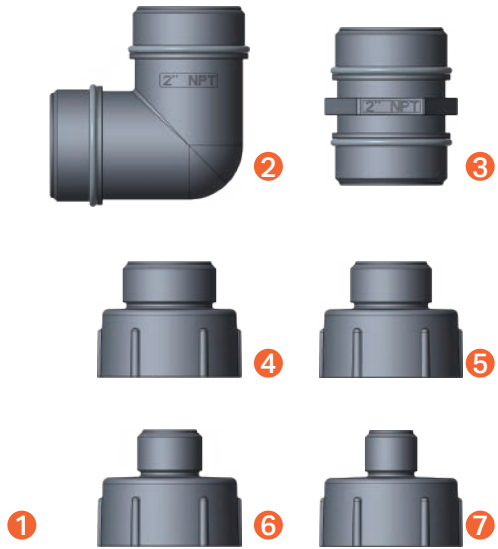
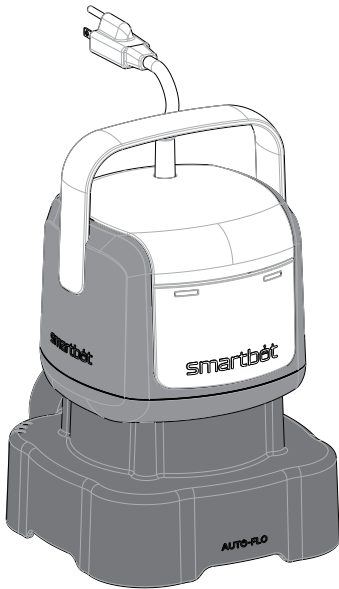
The pumps are of the submersible type, designed and made for pumping clear water with automatic operation for domestic uses, such as drying basements and garages subject to flooding or pumping drainage wells, rainwater-collecting traps, infiltrations from roof gutters, etc. Thanks to their compact size and handy shape, they can also be used for particular applications as portable pumps for emergencies such as for drawing water from tanks or rivers, draining swimming pools and fountains, excavations, or underpasses. They are also suitable for gardening and general hobby activity.

## Pumpable Liquids

### ONLY WATER!!!

Clear Water	Clear Ground Water	Yes
Clear Water	From Well or Cistern	Yes
Ground Water	With up to 3/16" Diameter Solids	Yes
Ground Water	With up to 3/8" Diameter Solids Effluent (Gray) Water	No
Sewage Water	With up to 2" Diameter Solids Effluent Water	No
Max. Solid handing [In.] Ø	3/16 inch	Yes
Pool or Marine water	The water contents of caustic chemicals, highly chlorinated water, and/of foreign materials.	No

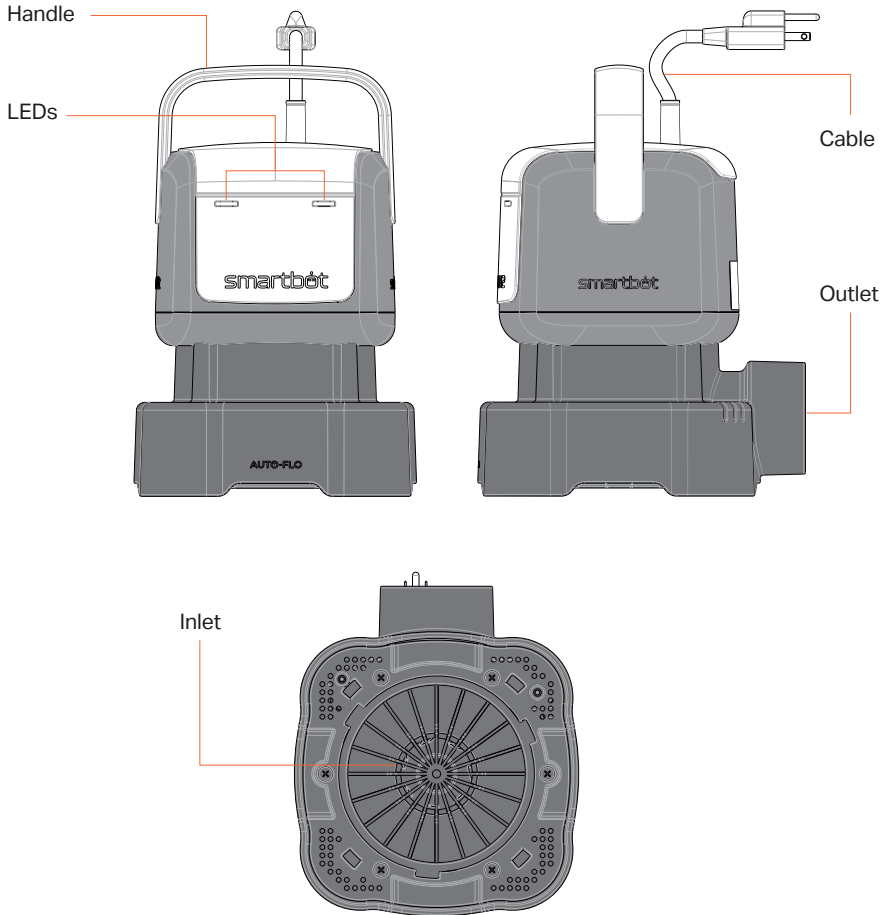
In the Box



8

1	Pump
2	Elbow connector
3	Straight connector
4	Adaptor: 2" NPT to 1-1/2" NPT
5	Adaptor: 2" NPT to 1-1/4"NPT
6	Adaptor: 2" NPT to 1" NPT
7	Adaptor: 2" NPT to 3/4" GHT
8	Instruction manual

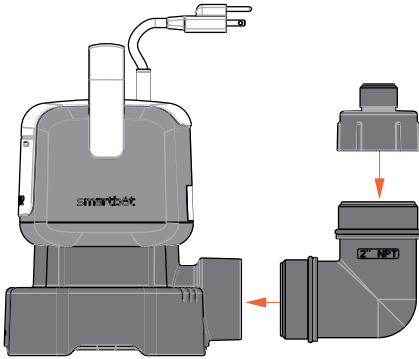
## Functions



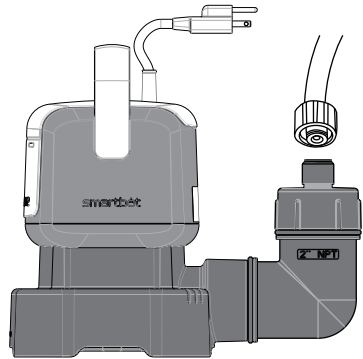
## Quick Guide

### STEP 1 – INSTALLATION

Select the correct 2" connector (elbow or straight) and adaptor (1-1/2", 1-1/4", 1", 3/4") and install them as instructed.

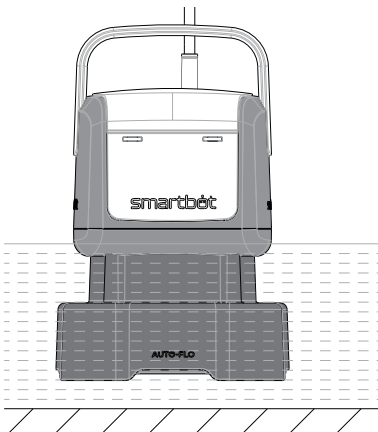


### STEP 2 – CONNECT GARDEN HOSE

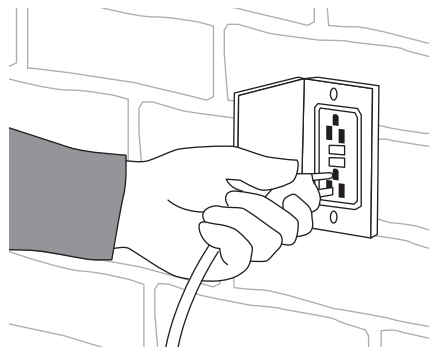


### STEP 3 – PLACE IN WATER

Requires 2" of water to start pumping.  
It removes water down to 1/16" of surface.



### STEP 4 – PLUG INTO GFCI OUTLET

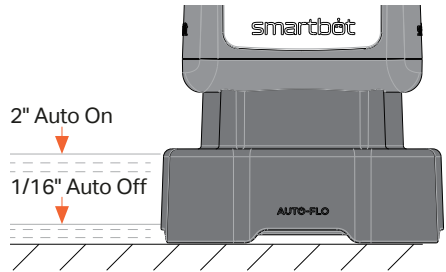


## Auto-Flo Instructions

### Normal straight status:

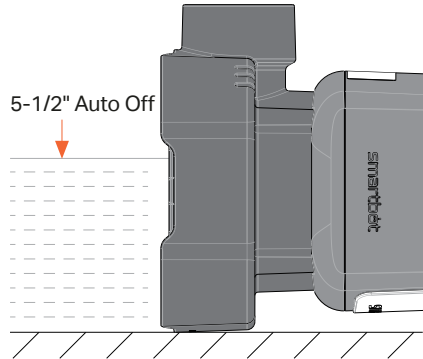
Smartbot's US patented Auto-Flo system has industry-leading liquid-sensing technology that can detect as little as 2" of floodwater. Once the water is detected, Smartbot automatically activates to pump the water out. When the water level reaches approximately 1/16" above the surface, Smartbot safely turns itself off.

Note: Removing water level depends on many factors. Only on a levelled surface can water be removed to a depth of approximately 1/16".



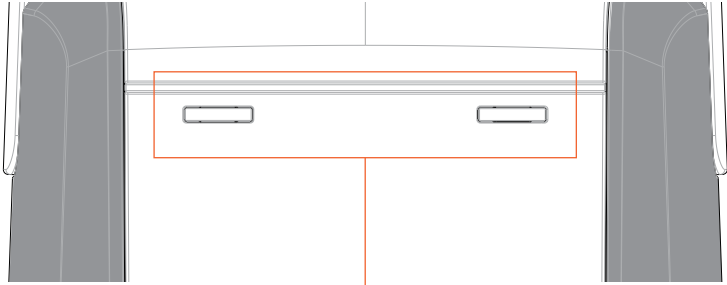
### Knock-over status:

The pump stops working automatically if it topples over and the water level is lower than the impeller. This happens because of its skilled and scientific design.





## Led Light Signal:



- **Green:**  
Power on, pump works normally.
- **Red:**  
Whenever there is a blockage caused by fiber and debris, the pump will automatically power off and the light runs red and start to blink. When this occurs, follow the instructions provided in the Troubleshooting section.

## Troubleshooting

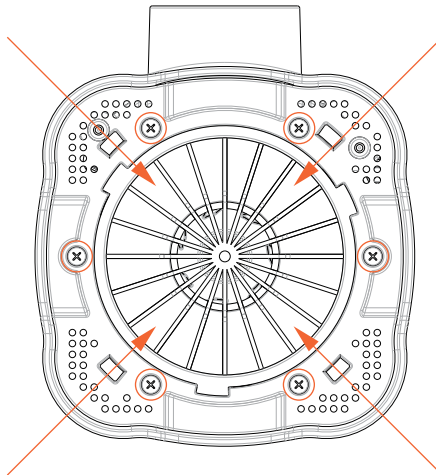
BEFORE TAKING ANY TROUBLE SHOOTING ACTION, DISCONNECT THE PUMP FROM THE POWER SUPPLY.

If there is any obvious damage to the power cable or pump, necessary repairs or replacements must be carried out by the manufacturer or an authorized customer support service, or by an equally qualified party, to prevent risk.

Symptom	Possible Cause(s)	Actions for Consumer
The pump does not start, and there is no sound coming from the motor.	<p>A. Power supply is improperly connected if eye signals are off.</p> <p>B. Water level is lower than minimum level of starting pump.</p>	<p>A. Check if plug is inserted correctly to the required power source. Eye signals turning green means properly powered on.</p> <p>B. Keep the water level higher than 2".</p>
The pump does not deliver flow properly, or the flow rate is insufficient.	<p>A. The suction bottom or the pipes are blocked.</p> <p>B. The head lift required is higher than the feature of this pump.</p> <p>C. Air is trapped inside impeller cavity and can't be released.</p> <p>D. Water level under the suction is lower than the minimum level required to start pumping.</p> <p>E. The impeller is worn out or blocked.</p>	<p>A. Remove the obstructions under suction bottom or straighten the twisted hose.</p> <p>B. Use a pump with higher head lift to meet needs.</p> <p>C. Unplug the pump, and wait for 30 seconds before replug.</p> <p>D. Water level needs be higher than 2" to start pumping.</p> <p>E. Unplug the pump, unscrew the 6 bolts at the bottom, and check whether the impeller is blocked by long fibers. If the blockage around the impeller is cleared and A, B, C, D are checked, the pump still can not deliver the flow normally, please call the help hotline for after-sales service help.</p>
The pump does not start or Auto-On features do not work properly even though correctly connected to a power source.	<p>A. Water level is lower than minimum level to start pumping.</p> <p>B. Air is trapped inside impeller cavity and can't be released.</p> <p>C. Sensors on both sides are clogged.</p>	<p>A. Keep the water level higher than 2".</p> <p>B. Unplug the pump, and wait for 30 seconds before replug.</p> <p>C. Unplug the pump, and lift pump away from water to check its state. If there is blockage around the sensor pins, remove it and clear the sensor area. If pump still does not auto on properly, please call the helpline for after-sale-service assistance.</p>
The pump does not stop or Auto-Off features do not work properly.	<p>A. Sensor pins under bottom base are clogged, or not in the right state.</p>	<p>A. Unplug the pump, and lift pump away from water to check its state. If there is blockage around the sensor pins, remove it and clear the sensor area.</p> <p>B. If step A is taken but pump still does not stop properly, please call the helpline for after-sale-service assistance.</p>
LED Eye light turns red.	<p>A. Impeller is clogged.</p>	<p>A. Unplug the pump, and check if there is blockage around the bottom cover. If yes, remove it and check if eye turns green.</p> <p>B. If step A is taken but eye light still turns red, please call the helpline for after-sale-service assistance.</p>
When the pump is placed into inflatable swimming pool, the machine has started but does not drain water.	<p>The soft surface of the pool might be sucked in the water pump bottom due to big pump power.</p>	<p>A. Suggest inserting a solid surface under the pump, such as wood plate, or hard plastic surface to isolate the pump and the soft surface.</p> <p>B. You may also acquire a Smartbot Strainer Base/Pool Cover Base, which is designed to be used on the soft surface, to attach to the pump bottom.</p>

## Volute and Impeller Cleaning

- Unplug the pump.
- Remove the 6 screws shown in the figure below.
- Remove the volute and clean the impeller and volute of all debris.
- Reposition the cork gasket using the alignment features, preventing any possible obstruction of the pump's discharge openings.
- Reinstall the volute with caution. Do not overtighten or strip screws or screw bosses.

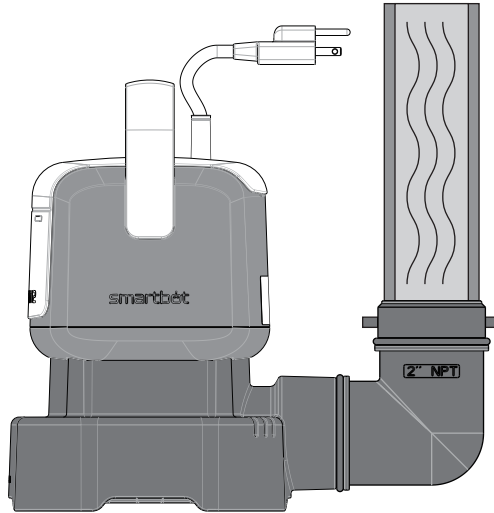


## Technical Specifications


Contents	Item	Robust 2800	Super 3600
Electrical data	Power [HP]	1/2	1/2
	Voltage [V]	120	120
	Frequency [Hz]	60	60
	Current rating [A]	3.5	4
Hydraulic data	Max. flow rate [GPH]	2800	3600
	Max. head [Ft]	25	30
	Min. AUT starting height [In.]	2"	2"
	Stopping height [In.]	1/16"	1/16"
Range of use	Length of power cable [Ft]	9.8	9.8
	Liquid temperature range [°F]	32 to 95	32 to 95
	Handles solids [In.]	3/16	3/16
	Outlet	2' NPT	2' NPT

## Reaching Maximum Flow

To reach the maximum flow rate of 2800/3600 gallons per hour, a discharge hose of 2 inches or more must be used. If the drainage pipe is less than 2 inches, the drainage volume will decrease accordingly.



## CALIFORNIA PROPOSITION 65

 This product contains chemicals known to the state of California to cause cancer or birth defects or other reproductive harm. California's Proposition 65 requires this warning to be given to customers in the state of California.

## Limited Warranty

Any modification made without prior authorization absolves the manufacturer of all responsibility. All the spare parts used in repairs must be authentic and all accessories must be authorized by the manufacturer, in order to ensure maximum safety of the machines and of the systems in which they may be installed.

This product is covered by a legal guarantee (12 months from the date it was purchased) against all defects that can be assigned to manufacturing faults or the material used. The product under guarantee may, at discretion, either be replaced with one in perfect working order or replaced free of charge if the following conditions are observed:

- The product has been used correctly in compliance with the instructions and no attempt has been made to repair it by the buyer or by third parties.
- The product has been consigned to the outlet where it was purchased, attaching a document as proof of purchase (invoice or cash register receipt) and a brief description of the problem found. The impeller and parts subject to wear are not covered by the guarantee. Intervention under guarantee does not extend the initial guarantee period in any way.



Smartbot  
customer care

Helpline: 1-866-807-1227  
[www.smartbotpumps.com](http://www.smartbotpumps.com)

---

The manufacturer reserves right to change and upgrade products without any notice. In situations the manufacturer has changed or upgraded products, the manufacturer shall have no obligation to change or upgrade or otherwise modify previously manufactured products.