



40-Volt Cordless Lawn Mower

A40GC14B01

OPERATOR'S MANUAL

Original Instructions



 **WARNING:** Read all safety rules and instructions carefully before operating this tool. Improper use can cause serious or fatal injury.



TABLE OF CONTENTS

Safety Symbols.....	3-5
Safety Instructions.....	5-10
Introduction.....	11
Specifications.....	11
Assembly.....	12
Description.....	13-14
Operation.....	15-21
Maintenance.....	22-25
Troubleshooting.....	26-27
Warranty.....	28
Part List.....	29-30

IMPORTANT

Read and understand this manual before assembling or operating this appliance. Improper use of this appliance can cause severe injury or death. Keep this manual for future reference.



read operator's manual

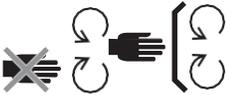
⚠ WARNING: Some dust created by power cutting contains chemicals known to the state of California to cause cancer, birth defects or other reproductive harm. Some examples of these chemicals are:

- Lead from lead-based paints
- Crystalline silica from bricks and cement and other masonry products, and
- Arsenic and chromium from chemically-treated lumber.

Your risk from these exposures varies, depending on how often you do this type of work. To reduce your exposure to these chemicals: work in a well ventilated area, and work with approved safety equipment, such as those dust masks that are specially designed to filter out microscopic particles.

SAFETY SYMBOLS

This page depicts and describes safety symbols that may appear on this product. Read, understand, and follow all instructions on the machine before attempting to assemble and operate.

	<p>Safety Alert</p>	<p>Indicates a potential personal injury hazard.</p>
	<p>Eye Protection</p>	<p>Always wear safety goggles or safety glasses with side shields and a full face shield when operating this product.</p>
	<p>Read Operator's Manual</p>	<p>To reduce the risk of injury, user must read and understand operator's manual before using this product.</p>
	<p>Maintain Safety Devices</p>	<p>Do not open or remove safety shields while the tool is running.</p>
	<p>Look Behind While Backing</p>	<p>Look down and behind first to avoid tripping when pulling back.</p>
	<p>DANGER — Keep Hands and Feet Away</p>	<p>To reduce the risk of injury, keep hands and feet away from rotating parts. Do not operate unless discharge cover or grass bag is in its proper place. If damaged, replace immediately.</p>
	<p>DANGER — Keep Bystanders Away</p>	<p>Do not mow when children or others are nearby.</p>
	<p>DANGER — Steep Slope Hazard</p>	<p>Use extra caution on slopes. Do not mow slopes greater than 15 degrees.</p>

	<p>Beware of sharp blades</p>	<p>Blades continue to rotate after the motor is switched off-Remove disabling device before maintenance.</p>
	<p>CE</p>	<p>This product complies with applicable EC directives.</p>
	<p>Recycle Symbols</p>	<p>This product uses lithium-ion (Li-ion) batteries. Local, state, or federal laws may prohibit disposal of batteries in ordinary trash. Consult your local waste authority for information regarding available recycling and/or disposal options.</p>
	<p>Do not expose to rain</p>	<p>Do not expose to rain.</p>
	<p>Charging/Store the battery pack</p>	<p>Charging and Store the battery pack only in dry rooms with an ambient temperature of 50°F to 104°F (+10°C to +40°C).</p>
<p>V</p>	<p>Volt</p>	<p>Voltage</p>
<p>A</p>	<p>Amperes</p>	<p>Current</p>
<p>Hz</p>	<p>Hertz</p>	<p>Frequency (cycles per second)</p>
<p>W</p>	<p>Watt</p>	<p>Power</p>
<p>min</p>	<p>Minutes</p>	<p>Time</p>

~	Alternating Current	Type of current
—	Direct Current	Type or a characteristic of current
n0	No Load Speed	Rotational speed, at no load
... /min	Per Minute	Revolutions per minute

⚠ WARNING: To ensure safety and reliability, all repairs should be performed by a qualified service technician.

SAFETY INSTRUCTIONS

⚠ WARNING: Read these instructions carefully, be familiar with the controls and the proper use of the machine. Please keep the instructions safe for later use.

For battery

- a) Use only the following type and size battery
- b) Do not dispose of the battery in a fire. The cell may explode. Check with local codes for possible special disposal instructions.
- c) Do not open or mutilate the battery. Released electrolyte is corrosive and may cause damage to the eyes or skin. It may be toxic if swallowed.
- d) Exercise care in handling batteries in order not to short the battery with conducting materials such as rings, bracelets, and keys. The battery or conductor may overheat and cause burns.

For Mower

- 1) Avoid Dangerous Environment – Don't use lawn mowers in damp or wet locations.
- 2) Don't Use In Rain.
- 3) Dress Properly – Do not wear loose clothing or jewelry. They can be caught in moving parts. Use of rubber gloves and footwear is recommended when working outdoors.
- 4) Use Right Appliance – Do not use lawn mower for any job except that for which it is intended.
- 5) Don't Force Lawn Mower – It will do the job better and safer at the rate for which it was designed.
- 6) Don't Overreach – Keep proper footing and balance at all times.
- 7) Stay Alert – Watch what you are doing. Use common sense. Do not operate lawn mower when you are tired.
- 8) Store Idle Lawn Mower Indoors – When not in use, lawn mower should be stored in an indoor dry and locked-up place – out of

reach of children.

9) Maintain Lawn Mower With Care – Keep cutting edges sharp and clean for best and safest performance.

10) Keep guards in place and in working order.

11) Keep blades sharp.

12) Keep hands and feet away from cutting area.

13) Objects struck by the lawn mower blade can cause severe injuries to persons. The lawn should always be carefully examined and cleared of all objects prior to each mowing.

14) If lawn mower strikes a foreign object, follow these steps:

i) Stop lawn mower. Release the switch.

ii) Unplug power cord.

iii) Inspect for damage.

15) Use identical replacement blades only.

⚠ DANGER: This machine was built to be operated according to the rules for safe operation included in this manual. As with any type of power equipment, carelessness or error on the part of the operator can result in serious injury. This machine is capable of amputating hands and feet and throwing objects. Failure to observe all safety instructions could result in serious injury or death.

⚠ WARNING: When using electric lawn mowers, basic safety precautions should always be followed to reduce the risk of fire, electric shock, and personal injury. These basic precautions include the following:

CHILDREN

Tragic accidents can occur if the operator is not alert to the presence of children. Children are often attracted to the mower and mowing activity. They do not understand the dangers. Never assume that children will remain where you last saw them.

- Keep children out of the mowing area and under the watchful care of a responsible adult other than the operator.
- Be alert and turn the mower off if a child enters the area.
- Use extreme care when approaching blind corners, doorways, shrubs, trees, or other objects that may obscure your vision of a child who may run into the mower.
- Never allow children under 15 years old to operate a power mower. Children 15 years old and over should read and understand the operation instructions and safety rules in this manual and should be trained and supervised by a parent. Only responsible individuals who are familiar with these rules of safe operation should be allowed to use this machine.

OPERATION

General Operation:

- Read this operator's manual carefully in its entirety before attempting to assemble this machine. Read, understand, and follow all instructions on the machine and in the manuals before operation. Be completely familiar with the controls and proper use of this machine before operating it. Keep this manual in a safe place for future and regular reference and for ordering replacement parts.
- Never allow children or people unfamiliar with these instructions to use the machine. Local regulations may restrict the age of the operator. When not in use store the machine out of reach of children.
- This appliance is not intended for use by persons (including children) with reduced physical, sensory or mental capabilities, or lack of experience and knowledge, unless they have been given supervision or instruction concerning use of the appliance by a person responsible for their safety. Children should be supervised to ensure that they do not play with the appliance.
- Never mow while people, especially children or pets, are nearby.
- The operator or user is responsible for accidents or hazards occurring to other people or their property.

- While mowing, always wear substantial footwear and long trousers.
- Do not operate the machine when barefoot or wearing open sandals, always wear substantial footwear and long trousers.
- Thoroughly inspect the area where the machine is to be used and remove all stones, sticks, wires, bones and other foreign objects.
- Before using, always visually inspect to see that the blades, blade bolts and cutter assembly are not worn or damaged. Replace worn or damaged blades and bolts in sets to preserve balance.
- Mow only in daylight or in good artificial light.
- Avoid operating the machine in wet grass, where feasible.
- Always walk, never run.
- Never operate the appliance with defective guards, or without safety devices, for example deflectors and/or grass catchers, in place.
- Working on banks can be dangerous.
- Do not mow excessively steep slopes.
- Always be sure of your footing on slopes or wet grass.
- Mow across the face of slopes, Never up and down.
- Exercise extreme caution when changing direction on slopes.
- Use extreme caution when stepping back or pulling the machine towards you.
- Never mow by pulling the mower towards you.
- Stop the blades if the machine has to be tilted for transportation when crossing surfaces other than grass and when transporting the machine to and from the area to be mowed.
- Switch on the motor according to instructions and with feet well away from the blade(s).
- Do not tilt the machine when starting or switching on the motor, except if the machine has to be tilted for starting in long grass. In this case, do not tilt if more than absolutely necessary and tilt only the part which is away from the operator. Always ensure that both hands are in the operating position before returning the machine to the ground.
- Switch on the motor according to the instructions with feet well away from rotating parts.
- Do not put hands or feet near or under rotating parts. Keep clear of the discharge opening at all times.
- Always stand clear of the discharge zone when operating the machine.
- Never pick up or carry the machine while the motor is running.
- Use the right appliance – Do not use the lawn mower for any job except that for which it is intended. Your lawn mower has been designed to perform only one job: to mow grass.
- Don't overreach – Keep proper footing and balance at all times.
- Objects struck by the lawn mower blade can cause severe injuries to persons. The lawn should always be carefully examined and cleared of all objects prior to each mowing.
- Keep the area of operation clear of all persons, particularly small children, and pets.
- Before and while moving backwards with the mower, look behind and down for small children and other people.
- Keep clear of the discharge opening at all times.
- This machine is a precise piece of power equipment, not a plaything. Therefore, exercise extreme caution at all times. Your unit has been designed to perform one job: to mow grass. Do not use it for any other purpose.
- Don't force the lawn mower – it will do the job better and more safely at the rate for which it was designed.
- Plan your mowing pattern to avoid discharge of material toward roads, sidewalks, bystanders and the like. Also, avoid discharging material against walls or obstructions, which may cause discharged material to ricochet back toward the operator.
- To help avoid blade contact or an injury from thrown objects, stay in the operator zone behind the handles and keep children,

bystanders, helpers and pets at least 100 feet (30m) from the mower while it is in operation. Stop the machine if anyone enters the area.

- Always wear safety glasses or safety goggles during operation and while performing an adjustment or repair to protect your eyes. Thrown objects that ricochet can cause serious injury to the eyes. Always use a face or dust mask if the operation is dusty.
- Dress properly – Do not wear loose clothing or jewelry. They can be caught in moving parts. Use of rubber gloves and footwear is recommended when working outdoors. Wear sturdy, rough-soled work shoes and close-fitting slacks and shirts. Shirts and pants that cover the arms and legs and steel-toed shoes are recommended. Never operate this machine in bare feet, sandals, slippery or lightweight (e.g., canvas) shoes.
- Do not put hands or feet near rotating parts or under the cutting deck. Contact with the blade can amputate hands and feet.
- A missing or damaged discharge cover can cause blade contact or injuries from thrown objects.
- Many injuries occur as a result of the mower being pulled over the foot during a fall caused by slipping or tripping. Do not hold onto the mower if you are falling; immediately release the handle.
- Never pull the mower back toward you while you are walking. If you must back the mower away from a wall or obstruction, first look down and behind you to avoid tripping, and then follow these steps:
 - Step back from mower to fully extend your arms.
 - Be sure you are well balanced with sure footing.
 - Pull the mower back slowly, no more than half way toward you.
 - Repeat these steps as needed.
- Do not operate the mower while under the influence of alcohol or drugs.
- Stay alert – watch what you are doing. Use common sense. Do not operate the lawn mower when you are tired.
- The motor/blade control handle is a safety device. Never attempt to bypass its operation. Doing so makes the safety device inoperative and may result in personal injury through contact with the rotating blade. The motor/blade control handle must operate easily in both directions and automatically return to the disengaged position when released.
- Avoid dangerous environments – Don't use lawn mowers in damp or wet locations so as to avoid slipping and falling during operation.
- Always be sure of your footing. A slip and fall can cause serious personal injury. If you feel you are losing your footing, release the motor/blade control handle immediately and the blade will stop rotating within three seconds.
- Stop the blade when crossing gravel drives, walks or roads.
- If the equipment should start to vibrate abnormally, immediately stop the motor, remove the battery and check for the cause. Vibration is generally a warning of trouble.
- Before cleaning the machine, unclogging the chute or removing or replacing the grass bag, mulching insert, or side discharge chute, turn the motor off and wait until the blade comes to a complete stop, then remove the battery pack. The cutting blade continues to rotate for a few seconds after the motor is shut off. Never place any part of the body in the blade area until you are sure the blade has stopped rotating.
- Never operate the mower without the proper trailing shield, discharge cover, grass bag, mulching insert, side discharge chute, motor/blade control handle or other safety protective devices in place and working. Never operate the mower with damaged safety devices. Failure to do so can result in personal injury.
- If situations occur that are not covered in this manual, use care and good judgment. Contact HENX Customer Service for assistance.
- Use only with the battery packs and chargers listed below:

BATTERY PACK	CHARGER
A40B25B01	A40MC75B01 A40K C250B01

OPERATION ON A SLOPE:

Slopes are a major factor related to slip-and-fall accidents, which can result in severe injury. Operation on slopes requires extra caution. If you feel uneasy on a slope, do not mow it. For your safety, use the slope gauge on page 23 to measure slopes before operating this unit on a sloped or hilly area. If the slope is greater than 15 degrees, do not mow it.

Do:

- Mow across the face of slopes; never mow up and down. Exercise extreme caution when changing direction on slopes.
- Watch for holes, ruts, rocks, hidden objects, or bumps which can cause you to slip or trip. Tall grass can hide obstacles.

Do not:

- Do not mow near drop-offs, ditches or embankments; you could lose your footing or balance.
- Do not mow slopes greater than 15 degrees, as shown on the slope gauge.
- Do not mow on wet grass. Unstable footing could cause slipping.

SERVICE

⚠ WARNING: Grass bag components, the discharge cover, side discharge chute, mulching insert and trailing shield are subject to wear and damage, which could expose moving parts or allow objects to be thrown and could increase the risk of injury. For safety protection, frequently check all components and replace damaged components immediately with identical replacement parts, listed in this manual.

- Examine the machine and replace worn or damaged parts for safety.
- Ensure replacement cutting means of the right type are used.
- If the mower's built-in overload protection switch frequently trips, contact HENX Customer Service or your Closest service center.
- Do not wash the mower with a hose; avoid getting water in the motor and electrical connections.
- Remove the battery and store the idle lawn mower in a covered area when not in use. Allow the motor to cool before storing it in any enclosure. The lawn mower should be stored in a dry, high, or locked-up enclosure, out of reach of children.
- When servicing, use only identical replacement parts listed in this manual. Use of parts that do not meet the original equipment specifications may lead to improper performance and compromised safety.
- Remove or disconnect the battery pack before servicing, cleaning, or removing material from the lawn mower.
- Follow instructions for lubricating and changing accessories.
- Keep handles dry, clean and free from oil and grease.
- To reduce a fire hazard, keep the motor cover free of grass, leaves and debris build-up.
- Check the blade and motor mounting bolts at frequent intervals for proper tightness. Also, visually inspect the blade for damage (e.g., bending, cracking and wear.). Replace the blade only with the identical replacement blade, as listed in this manual.
- Maintain your mower with care – keep the mower blade sharp and clean for the best and safest performance. Mower blades are sharp and can cut. Wrap the blade or wear gloves and use extra caution when servicing it.
- Keep all nuts, bolts, and screws tight to be sure the equipment is in safe working condition.

- Never remove or tamper with safety devices. Regularly check their proper operation. Never do anything to interfere with the intended function of a safety device or to reduce the protection provided by a safety device.
- Always stop the motor before making adjustments to a wheel or a cutting-height adjustment.
- After striking a foreign object, stop the motor, remove the battery pack, allow the blade to stop rotating, and thoroughly inspect the mower for any damage. Repair the damage before operating the mower.
- Maintain or replace safety and instruction labels, as necessary.
- Ensure that batteries are charged using the correct charger recommended by the manufacturer. Incorrect use may result in electric shock, overheating or leakage of corrosive liquid from the battery.
- Always wear gardening gloves when handling or working near the sharp blades.
- **SAVE THESE INSTRUCTIONS.** Refer to them frequently and use them to instruct others who may use this tool. If you lend this tool to someone else, also lend these instructions to them to prevent misuse of the product and possibly injury.

Recommendations for Optimal Handling of the battery

- Ensure the switch is in the off position before inserting battery. Inserting the battery into machines that have the switch on invites accidents.
- Keep the battery charger away from rain or moisture. Penetration of water in the battery charger increases the risk of an electric shock.
- Recharge only with the charger specified by the manufacturer. A charger that is suitable for one type of battery may create a risk of fire when used with another battery.
- Do not charge other batteries. The battery charger is suitable only for charging lithium ion batteries within the listed voltage range. Otherwise there is danger of fire and explosion.
- Keep the battery charger clean. Contamination can lead to danger of an electric shock.
- Before each use, check the battery charger, cable and plug. If damage is detected, do not use the battery charger. Never open the battery charger yourself. Have repairs performed only by a qualified technician and only using original spare parts. Damaged battery chargers, cables and plugs increase the risk of an electric shock.
- Do not operate the battery charger on easily inflammable surfaces (e.g., paper, textiles, etc.) or surroundings. The heating of the battery charger during the charging process can pose a fire hazard.
- Use only batteries intended specifically for the machine. Use of any other batteries may create a risk of injury and fire.
- When battery is not in use, keep it away from other metal objects like paper clips, coins, keys, nails, screws, or other small metal objects that can make a connection from one terminal to another. Shorting the battery terminals together may cause burns or a fire.
- Do not open the battery. Danger of short-circuiting.
- Protect the battery against heat, e.g., also against continuous sun irradiation and fire. There is danger of explosion.
- Do not short-circuit the battery. There is danger of explosion.
- In case of damage and improper use of the battery, vapors' may be emitted. Provide for fresh air. The vapors' can irritate the respiratory system.
- Protect the battery against moisture and water.
- Store the battery only within a temperature range between 0°C and 50°C. As an example, do not leave the battery in the car in summer.

Intended use

Lawn mower is a pedestrian controlled tool used to cut grasses or weeds on lawns, gardens and pastures and turn recycled dry grass into forage. It is mainly used for landscaping, courtyard maintenance and road cleaning etc.

INTRODUCTION

Congratulations on your selection of a new generation of 40V Lithium-ion powered lawn mower. It has been designed, engineered and manufactured to give you the best possible dependability and performance.

Should you experience any problem you cannot easily remedy, please contact HENX customer service center 866-6788989.

This manual contains important information on the safe assembly, operation and maintenance of your mower. Read it carefully before using the mower. Keep this manual handy so you can refer to it at any time.

SERIAL NUMBER _____
DATE OF PURCHASE _____
THE MODEL AND SERIAL NUMBERS WILL BE FOUND ON A LABEL ATTACHED ON THE REAR DISCHARGE DOOR.
YOU SHOULD RECORD BOTH SERIAL NUMBER AND DATE OF PURCHASE AND KEEP IN A SAFE PLACE FOR FUTURE REFERENCE

SPECIFICATIONS

Model Number	A40GC14B01
Voltage	40 V DC
No-Load Speed	3000rpm (low speed) 4000rpm (high speed)
Approximate Cutting Height Setting	6 different cutting heights from 30mm to 80mm are available.
Deck Cutting Size	14" (340mm)
Grass Bag Volume	35L
Mower Weight (Without battery pack)	9.7KG
Ingress Protection Degree	IPX1

Battery pack	Lithium-Ion
Models	A40B25B01
Voltage	40 VDC
Capacity	2.5Ah
Charger (model)	A40MC75B01
Input	120-240VAC 50/60Hz, 1.8A
Output	40VDC, 1.8A
Allowable charge temperature range	4- 40 °C
Charger (model)	A40KC250B01
Input	120-240VAC, 50-60Hz, 3.5A
Output	40V DC 6A
Allowable charge temperature range	4- 40 °C

APPROXIMATE RUNNING TIME

Battery pack type	Lithium-ion
A40B25B01	30min

NOTICE: The actual running time will vary with grass condition: species, density, moisture, etc.

ASSEMBLY

⚠ WARNING: To prevent accidental starting that could cause serious personal injury, always remove the battery pack from the tool when assembling parts.

⚠ WARNING: Do not attempt to modify this tool or create accessories not recommended for use with this mower. Any such alteration or modification is misuse and could result in a hazardous condition leading to serious injury.

UNPACKING

First remove all the accessories from the carton, then grasp the front handle and rear handle at the same time to carefully lift the mower up and out of the carton. Make sure that all items listed in the parts list are included.

Inspect the product carefully to make sure that no breakage or damage occurred during shipping.

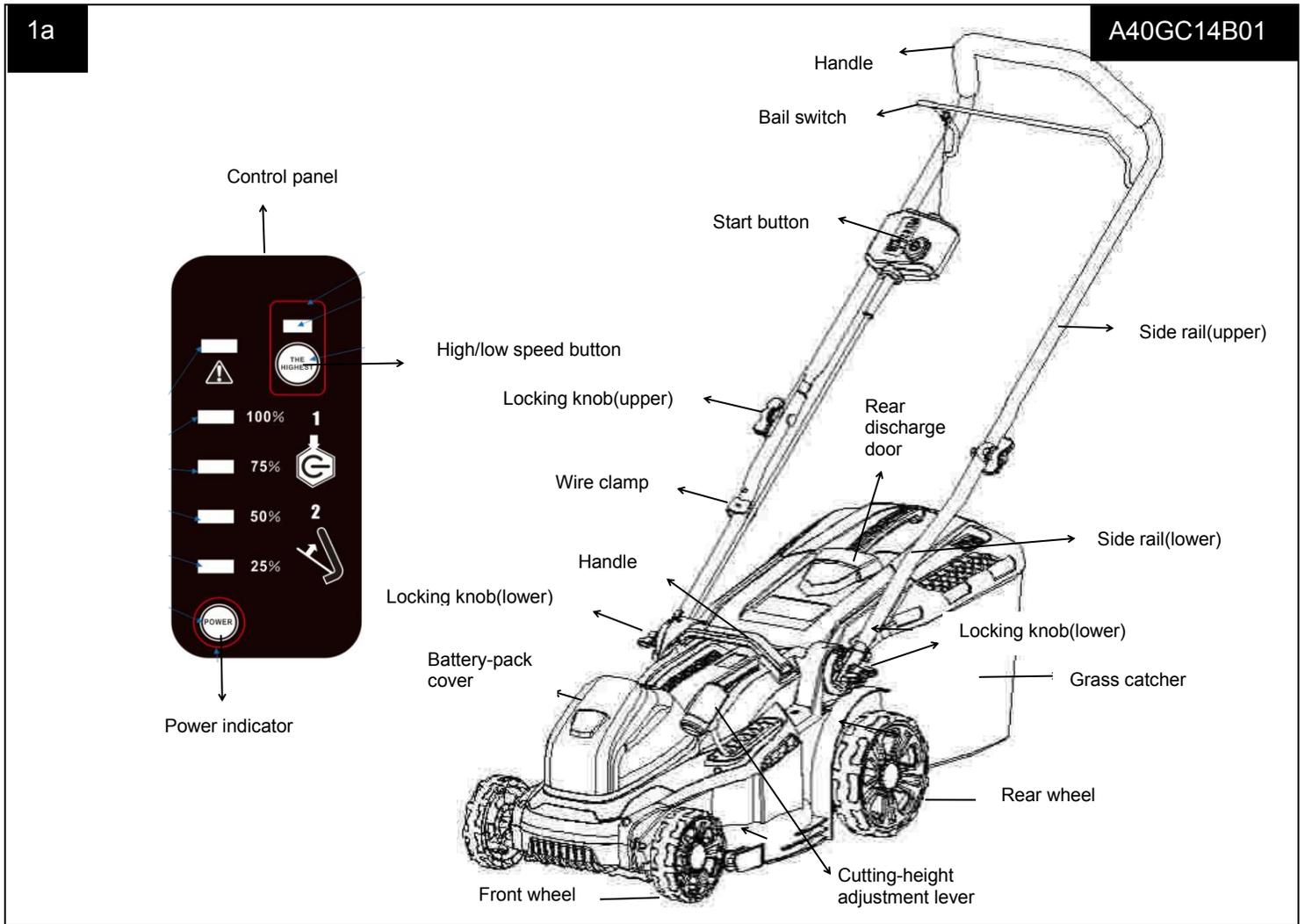
Do not discard the packing material until you have carefully inspected and satisfactorily operated the mower.

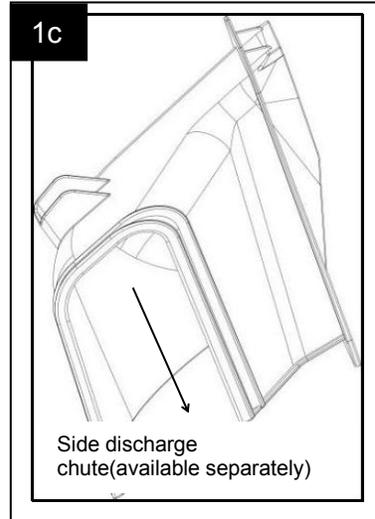
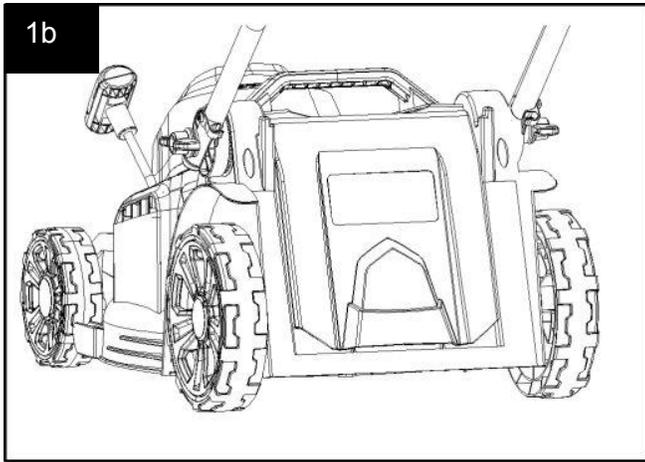
If any parts are damaged or missing, please return the mower to the place of purchase.

LIST OF CONTENTS

PART NAME	QUANTITY
Lawn mower	1
Grass bag	1
Side Discharge Chute	1
Operator's manual	1
Accessories	1

DESCRIPTION





⚠WARNING: The safe use of this product requires an understanding of the information on the tool and in this operator's manual, as well as knowledge of the project you are attempting. Before use of this product, familiarize yourself with all operating features and safety rules.

START BUTTON

The start button must be pressed down before the motor can be started.

WARNING: The bail switch and the safety button are safety devices. Never attempt to bypass their operations.

ELECTRIC BRAKE

Quickly stops blade rotation when the bail switch is released.

(UPPER OR LOWER) LOCKING KNOB

Locks/unlocks the side rails in the extended or the recessed position.

SIDE RAILS

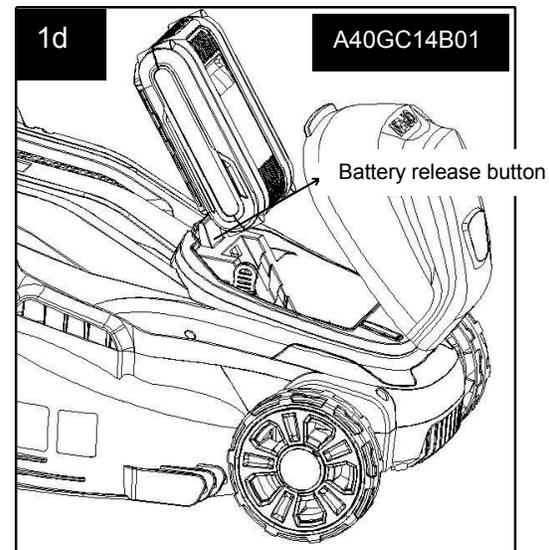
Can be extended and locked for operation or recessed for storage.

TRAILING SHIELD & REAR DISCHARGE DOOR

The trailing shield is designed to minimize stones or other objects being thrown backward by the mower blade. The shield and the rear door minimize the possibility of accidental foot contact with the blade. DO NOT operate the mower without the trailing shield and rear door in place.

SPRING-LOADED CUTTING-HEIGHT ADJUSTMENT LEVER

One-handed cutting-height adjustment



OPERATION

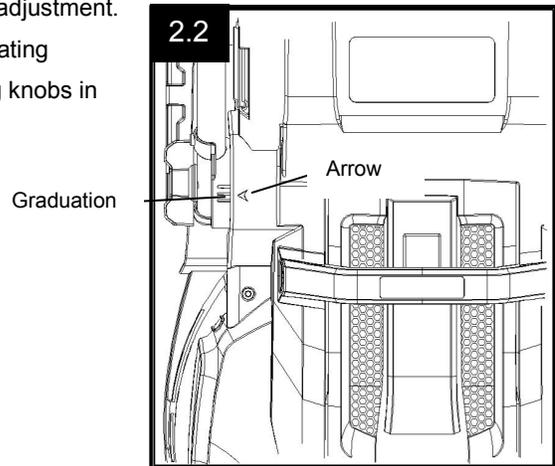
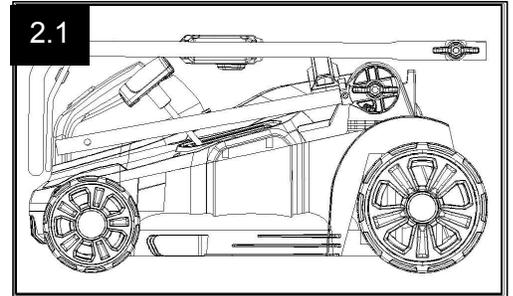
ADJUSTING THE HEIGHT OF HANDLE

⚠ WARNING: Do not attempt to start the mower until the handle has been locked at one of the three preset operating positions (lower/middle/higher).

1. **LOCKED STORAGE POSITION:** Your mower is shipped with the upper and the lower side rails in the compact, locked position (Fig. 2.1).
2. **SIDE RAIL EXTENSION :** unfold both the upper and the lower side rails and turn upper and lower locking knobs at both sides in clockwise to fix the side rails.
3. **HANDLE HEIGHT ADJUSTMENT:** first loosen 2 lower locking knobs by turning them in counterclockwise, then adjust the included angle between side rail and the ground. The arrow shown in Fig.2.2 will point at one of three different graduations(see Fig.2.2) during adjustment. Three different graduations indicate upper, middle and lower operating position respectively. Fix the side rails by turning the lower locking knobs in clockwise after handle height adjustment.

NOTE: The motor cannot be started unless:

- a. The side rails are fully extended
- b. 4 locking knobs are securely closed
- c. The handle is locked into one of the three operating positions



ATTACHING/REMOVING THE GRASS BAG

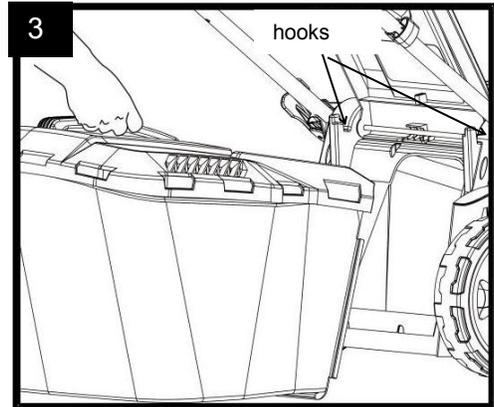
⚠ WARNING: Do not at any time make any adjustment to the lawn mower without first stopping the motor, removing the battery pack and waiting for the blade to stop rotating.

NOTICE: Remove the side discharge chute before attaching the grass bag on the mower;

1. Remove the battery.
2. Lift the rear discharge door up.
3. Hang the grass bag assembly on the hook (Fig. 3). Release the discharge door so that it rests on the grass bag.
4. To remove the grass bag, lift the rear-discharge door up. Lift the grass bag off the hook.
5. Release the rear discharge door.

⚠ WARNING: When using the grass bag, never operate the mower unless the grass bag are firmly seated on the hooks and the rear-discharge door rests firmly against the top of the grass bag.

⚠ WARNING: Under normal usage, bag material is subject to wear. To reduce the risk of injury, frequently inspect the bag assembly and replace if there are any signs of wear or deterioration. Use only grass bags manufactured for this mower.



ATTACHING/REMOVING THE SIDE DISCHARGE CHUTE(available separately) (Fig. 4a & 4b)

⚠ WARNING: Do not at any time make any adjustment to the lawn mower without first stopping the motor, removing the battery pack and waiting for the blade to stop rotating.

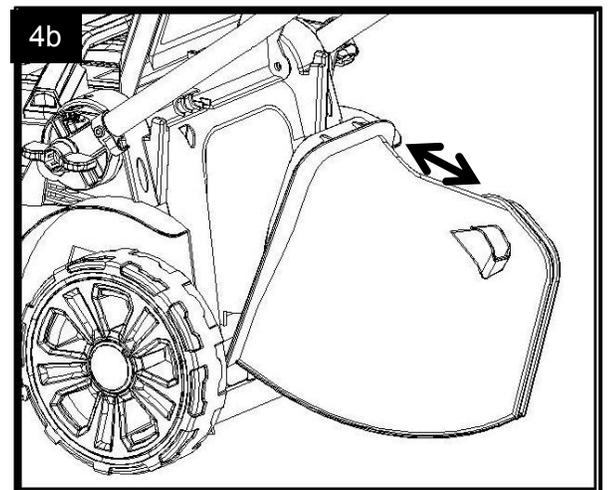
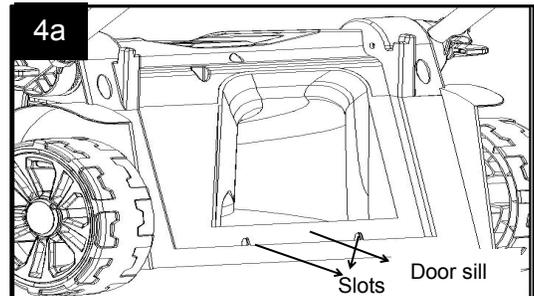
1. Remove the battery.
2. Lift the rear-discharge door up.
3. Align the lower edge of the side discharge chute with the door sill and insert it into the slots.

4. Push the top of the side discharge chute and insert it into the mower.

Check to see that it is securely seated in the deck.

5. To remove the side discharge chute, lift the rear-discharge door, grasp the side discharge chute and pull it out.

6. Release the discharge door and make sure that it rests firmly against the side discharge chute.



SPRING-LOADED CUTTING-HEIGHT ADJUSTMENT (Fig. 5)

⚠ WARNING: Do not at any time make any adjustment to the lawn mower without first stopping the motor, removing the battery pack and waiting for the blade to stop rotating.

⚠ WARNING: Keep your feet away from the deck when adjusting its

height.

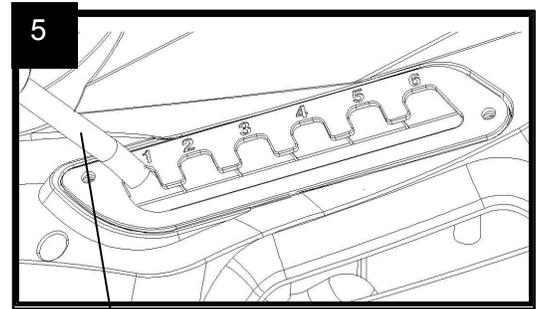
The mower can be set to 6 cutting heights between 30mm and 80mm. Choose the proper cutting height according to the type and condition of the grass.

To raise the blade height

1. Grasp the cutting height adjustment lever, and move it outwards.
2. Move the lever toward the back of the mower and engage the lever in the desired setting.

To lower the blade height

1. Grasp the height adjustment lever, and move it outwards.
2. Move the lever toward the front of the mower and engage the lever in the desired setting .



Cutting-height adjustment lever

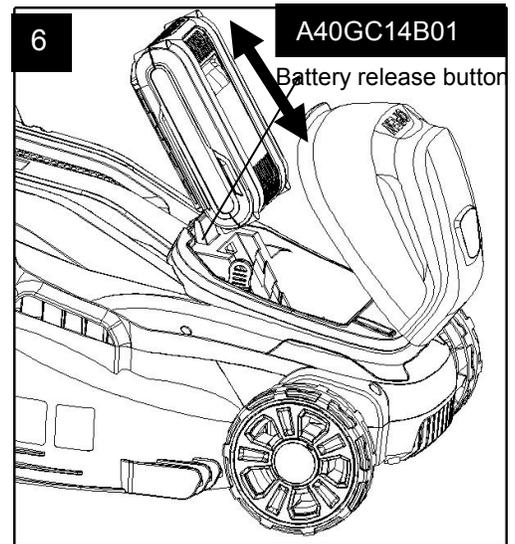
TO ATTACH/DETACH THE BATTERY PACK (Fig. 6)

CHARGE BEFORE FIRST USE.

⚠ WARNING: If any parts are broken or missing, do not attempt to attach the battery pack to the mower or operate the mower until the broken or missing parts are replaced. Failure to do so could result in serious injury.

1. Align the grooves in the battery pack, with the raised ribs in the battery compartment, and then insert the battery pack into the compartment.
2. Push the battery pack until you hear a “click”. The battery- release button will spring up when the battery pack is securely attached.
3. To detach the battery pack, depress the battery-release button to release the battery pack, and then lift it out of the compartment.
4. Close the battery cover.

NOTICE: Make sure that the latch on the mower snaps into place and that the battery pack is secured to the mower before starting operation.



STARTING/STOPPING THE MOWER (Fig. 7 & 8) (A40GC14B01)

⚠ WARNING: The operation of any lawn mower can result in foreign objects being thrown into your or others' eyes, which can damage eyes severely. Always wear safety glasses while operating the mower or while performing any adjustments or repairs on the mower.

⚠ WARNING: Ensure that other people and pets remain at least 100 feet (30m) away from the mower when it is in use.

⚠ WARNING: The blade will continue to rotate for a few seconds after the mower is turned off. Allow the motor/blade to stop rotating before starting it again. Do not rapidly turn the mower off and on.

⚠ CAUTION: Do not attempt to override the operation of the start button and bail switch.

NOTE: The motor cannot be started unless:

- The side rails are fully extended
- 4 locking knobs are securely closed
- The handle is locked into one of the three operating positions

To start the mower

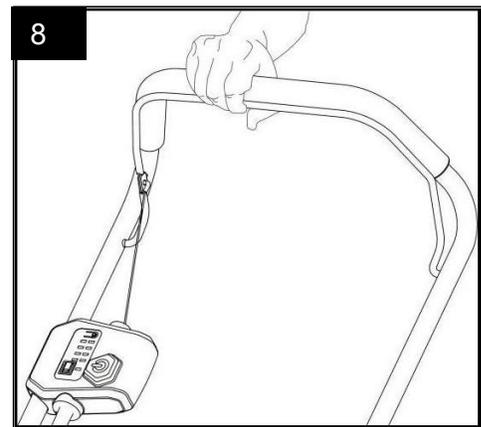
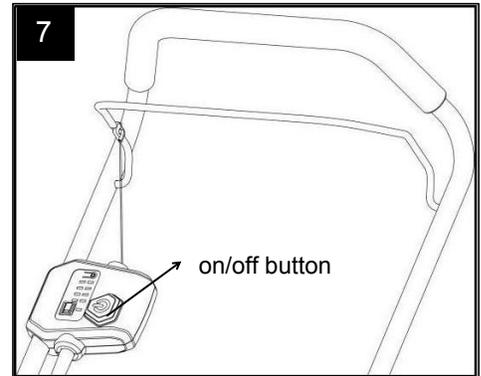
1. Attach the battery pack to the mower and close the battery cover.

NOTICE: Make sure that the key on the mower snaps into place and that the battery pack is secured to the mower before operation.

2. Depress start button (Fig. 7).
3. With start button depressed, pull the bail switch upward to meet the handle and release the safety button (Fig. 8).
4. The mower will start.

To stop the mower

1. Fully release the bail switch.
2. The electric brake in the Automatic Braking Mechanism will stop the blade rotation within 3 seconds of the bail switch release.



MOWER OVERLOAD PROTECTION

To prevent overload conditions, do not try to remove too much grass at one time. Slow down your cutting pace or raise the cut height.

Your mower has built-in overload circuit protection. When the mower is overloaded, the motor will stop and the power indicator on the mower will flash red. Remove the battery pack from the mower. Check to see if grass has collected beneath the deck and clear it if necessary, then install the battery and restart the mower.

BATTERY HIGH TEMPERATURE PROTECTION

The battery pack will generate heat during operation. The heat dissipates more slowly in hot weather. If the battery temperature exceeds 230°F (110°C) during operation, the protection circuit will immediately turn off the mower to protect the battery pack from heat damage. The power indicator on the mower will shine orange and the LED on the battery will flash red.

Release the bail handle, wait until the battery pack cools down to approximately 194°F (90°C), then restart the mower.

MOWING TIPS

NOTICE: A sharp blade will greatly enhance the performance of the mower, especially when cutting tall grass. Make sure to check the sharpness of the blade before mowing.

1. Verify that the lawn is free of stones, sticks, wires, and other objects which could damage the lawn mower or motor. Such objects could be accidentally thrown by the mower in any direction and could cause serious personal injury to the operator and to others.

⚠ WARNING: If you strike a foreign object, stop the motor and remove the battery. Thoroughly inspect the mower for any damage, and repair the damage before restarting and operating the mower. Excessive vibration of the mower during operation is an indication of damage. The unit should be promptly inspected and repaired.

- For best results, do not mow in circles. Travel back and forth across the lawn.
- When cutting thick grass, reduce your walking speed in order to allow for a more effective cut and a proper discharge of the clippings.
- To maintain a healthy lawn, cut off only one-third or less of the total length of the grass. The average lawn should be approximately 1-1/2 to 2 inches long during cool months, and between 2 to 3-1/4 inches long during hot months.

SLOPE GAUGE (Fig. 9)

⚠ WARNING: Do not mow a slope that has an angle of greater than 15° (a rise of approximately 2 1/2' (0.75m) every 10' (3m)). Mow across the face of a slope and never up and down.

Use Fig. 9 as a guide in order to identify slopes that cannot be mowed safely.

MULCHING TIPS

⚠ WARNING: Inspect the area where the mower is to be used and remove all stones, sticks, wire and other debris that might be thrown by the rotating blade.

- Release the bail switch to stop the mower blade rotation when crossing any graveled areas; stones can be thrown by a rotating blade.
- Set the mower to the highest cutting height when mowing on uneven ground or in tall growth.
- For effective mulching, do not cut wet grass; it tends to stick to the underside of the deck, preventing the proper mulching of grass clippings. The best time to mow grass is in the late afternoon, when the grass is dry and the newly cut area will not be exposed to direct sunlight.
- For the best mulching performance, set the cutting height to remove approximately one third of the grass blade length, ideally no more than 1 1/2" at one time. If the grass is overgrown, it may be necessary to increase the cut height to make it easier to mow and to prevent overloading the motor. Slow your cutting pace in tall or thick grass conditions. For mulching extremely thick or tall grass, it is advisable to first cut at a high cut-height setting, and then re-cut to the final cut height. Otherwise, make narrower cuts and mow slowly. ALWAYS MAKE SURE THAT THE BLADE IS SHARP.

9

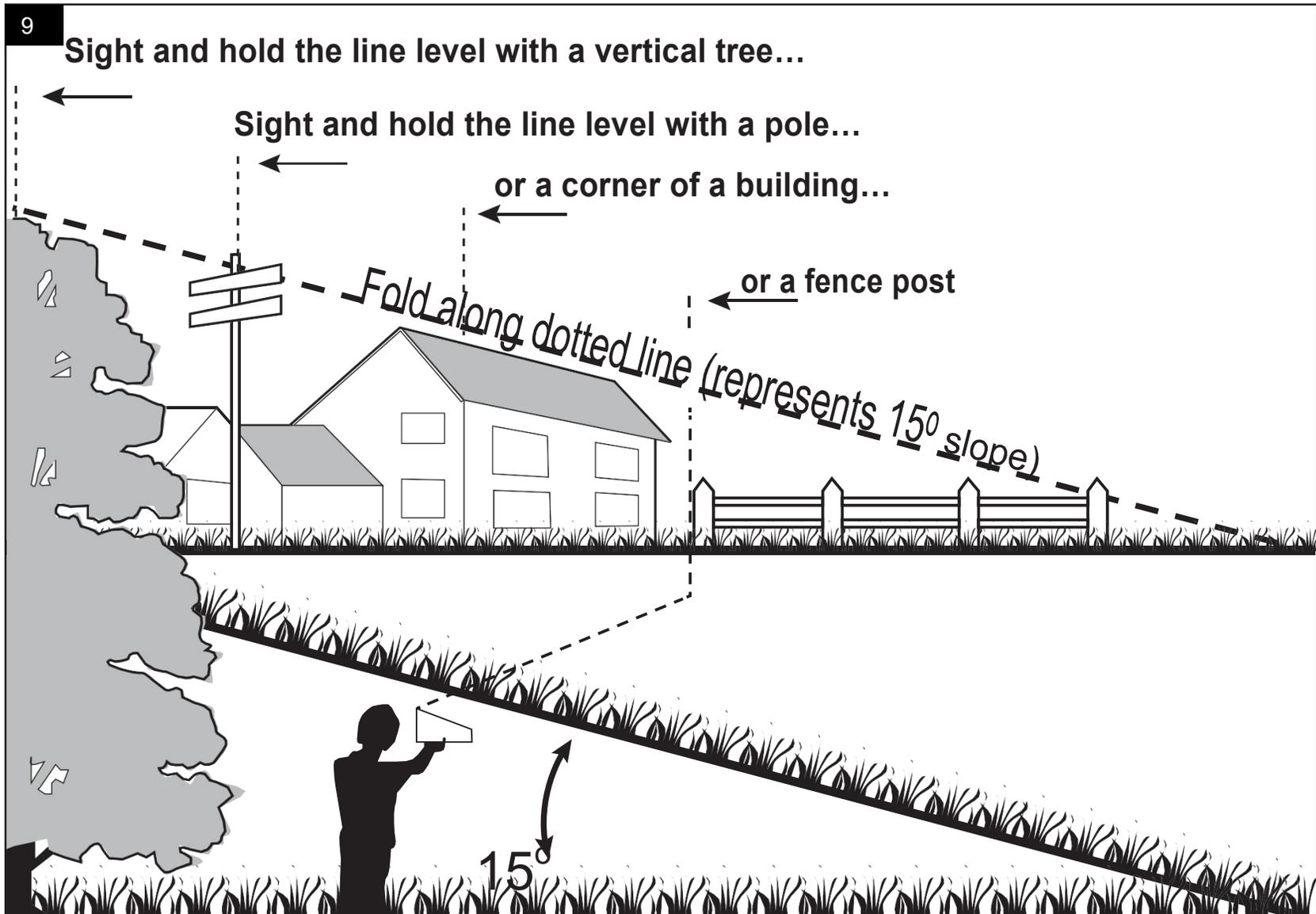
Sight and hold the line level with a vertical tree...

Sight and hold the line level with a pole...

or a corner of a building...

or a fence post

Fold along dotted line (represents 15° slope)



MAINTENANCE

⚠ WARNING: To avoid serious personal injury, always remove the battery pack from the mower before cleaning or performing any maintenance.

⚠ WARNING: When servicing, use only identical replacement parts. Use of any other parts may create a hazard or cause product damage. To ensure safety and reliability, all repairs should be performed by a qualified service technician.

CLEANING THE MOWER

⚠ WARNING: Always remove the battery pack when servicing or transporting the mower.

The underside of mower deck should be cleaned after each use, as grass clippings, leaves, dirt and other debris will accumulate. This accumulation is undesirable, as it will promote rust and corrosion.

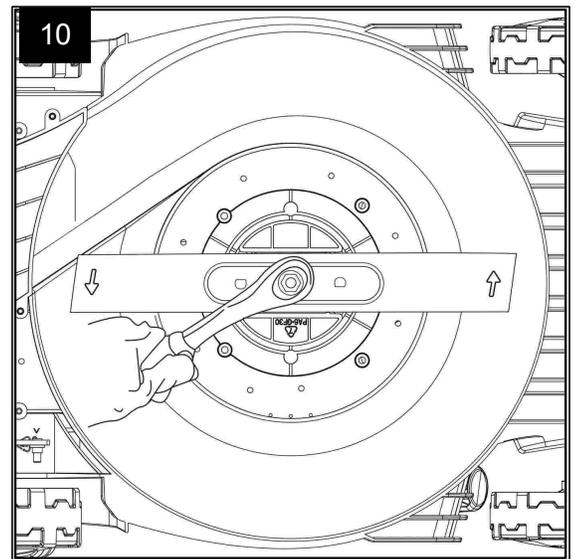
REMOVING THE BLADE

⚠ WARNING: Always protect your hands by wearing heavy gloves or wrapping the cutting edges with rags or other materials when performing any maintenance on the mower blade. Always remove the battery pack when servicing or transporting the mower.

NOTICE: The following tools are required for replacing the blade:

- 14mm wrench
- torque wrench
- Manual screwdriver or metal rod with a diameter of 5/16" (8mm)

1. Stop the motor; remove the battery pack from the mower.
2. Turn the mower on its side.
3. While wearing protective gloves, place a metal rod (e.g., a 3.5" length screw bit) with diameter less than 5/16" (8mm) into the fixing hole to act as a stabilizer (Fig. 10).
4. Use a 3/5" (14mm) wrench to turn the blade bolt counterclockwise to loosen it.
5. Continue using the 3/5" (14mm) wrench to turn the blade bolt counterclockwise to loosen it completely.
6. While wearing protective gloves, remove the bolt, flat washer, spring washer and the blade.



INSTALLING THE BLADE

Always wear thick gloves or wrapping the cutting edges with rags or other materials when performing any maintenance on the mower blade.

Always remove the battery pack when servicing or transporting the mower.

NOTICE: To re-install or replace the blade, be sure to replace the parts in the exact order in which they were removed (Fig. 11).

1. Mount the fan and the blade adapter onto the motor shaft with the fan blade towards the deck.
2. Place the blade on blade adapter while wearing the gloves and the side written with “this side faces the grass” faces the outwards(Fig.12).
3. Two holes on the blade attach on two mounting seats on blade adapter.
4. Mount flat washer, spring washer and hexagon bolt and pretighten the blade in clockwise by hand.
5. While wearing protective gloves, place a metal rod (e.g., a 3.5” length screw bit) with diameter less than 1/4” (6.35mm) into the fixing hole to act as a stabilizer (Fig. 12). Place another metal rod (e.g., a 3.5” length screw bit) with diameter less with 5/16”(8mm) into the fixing hole to act as another stabilizer .
6. Tighten the bolt with 14mm torque wrench(available separately) . The torque to tighten the blade bolt is suggested to be 23 to 27 Nm. (Fig.13).

SHARPENING THE BLADE

⚠ WARNING: Always protect your hands by wearing heavy gloves or wrapping the cutting edges with rags or other materials when performing any maintenance on the mower blade. Always remove the battery pack when servicing or transporting the mower.

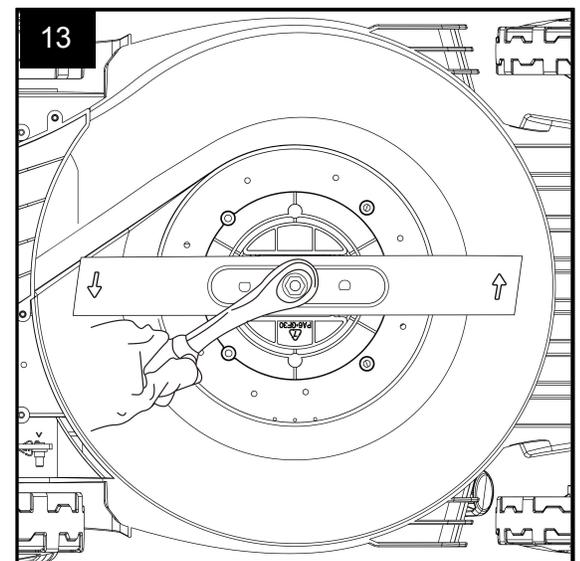
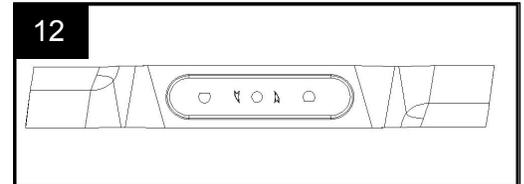
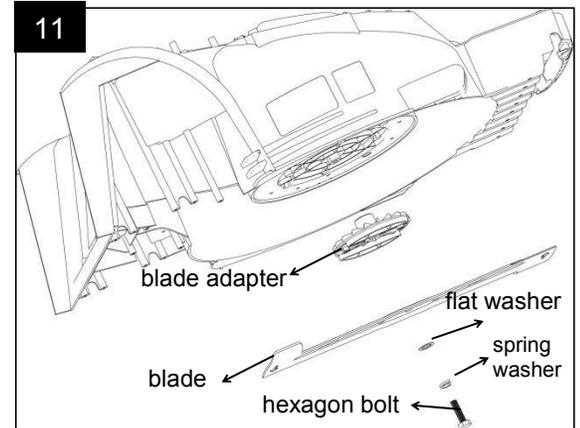
⚠ WARNING: Use proper eye protection while removing, sharpening, and installing the blade.

⚠ WARNING: A worn, cracked, or damaged blade can break and pieces of the damaged blade can become dangerous projectiles. Thrown objects can cause serious injury. Inspect the blade regularly and do not operate the mower with a worn or damaged blade.

NOTICE: Keep the blade sharp for best mower performance. A dull blade does not cut grass cleanly or mulch properly.

A dull blade can be sharpened, but a blade that is excessively worn, bent, cracked, or otherwise damaged must be replaced. A worn or damaged blade can break, causing blade pieces to be thrown from the mower.

If the blades are found to be bent, take the lawn mower to an authorized HENX service center for inspection.



SHARPING FREQUENCY

Sharpening the blade twice during a mowing season is usually sufficient under normal circumstances. Sand causes the blade to dull quickly; if your lawn has sandy soil, more frequent sharpening may be required.

WHEN SHARPENING THE BLADE:

- Make sure that the blade remains balanced.
- Sharpen the blade at the original cutting angle.
- Sharpen the cutting edges on both ends of the blade, removing an equal amount of material from each end.

TO SHARPEN BLADE IN A VISE:

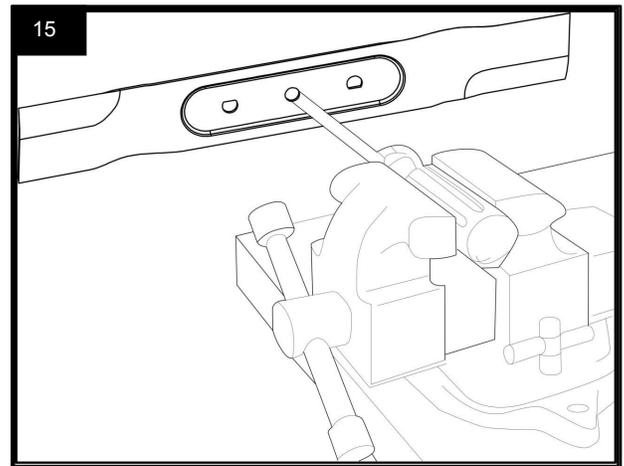
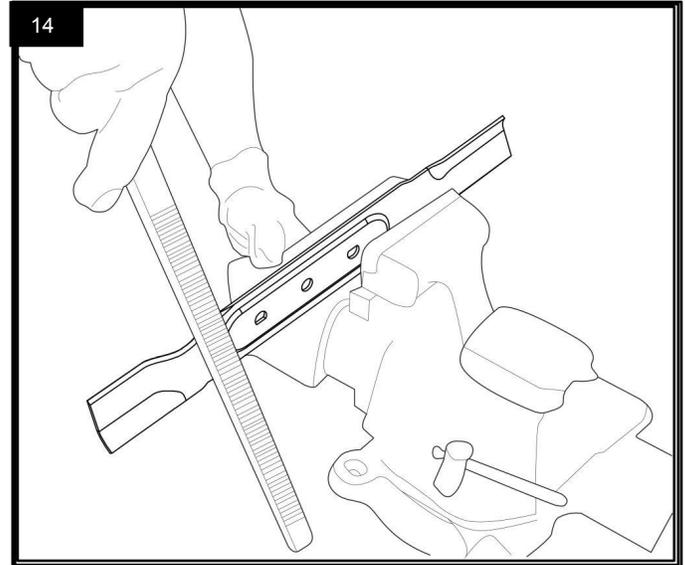
1. Remove the blade from the mower (please see REMOVING THE BLADE.)
2. Secure the blade in a vise (Fig. 14.)
3. Wear proper eye protection and gloves and be careful not to cut yourself.
4. Carefully file the cutting edges of the blade with a fine tooth file or sharpening stone, maintaining the original cutting edge angle.
5. To check the blade balance: clamp a nail or a screw driver with a round shank in the horizontal position. Position the blade so that the nail or round shank of the screwdriver supports the blade through its center hole. Balance the blade horizontally. If either end of the blade rotates downward, remove some metal from the heavy or lower end until the blade is balanced. It is balanced when neither end drops (Fig. 15).
6. Replace the blade on the mower and tighten it securely (please see INSTALLING THE BLADE).

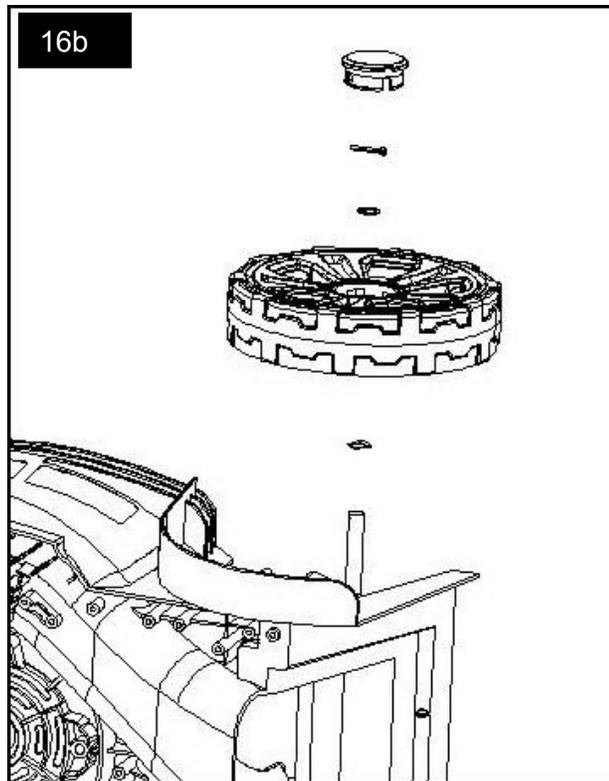
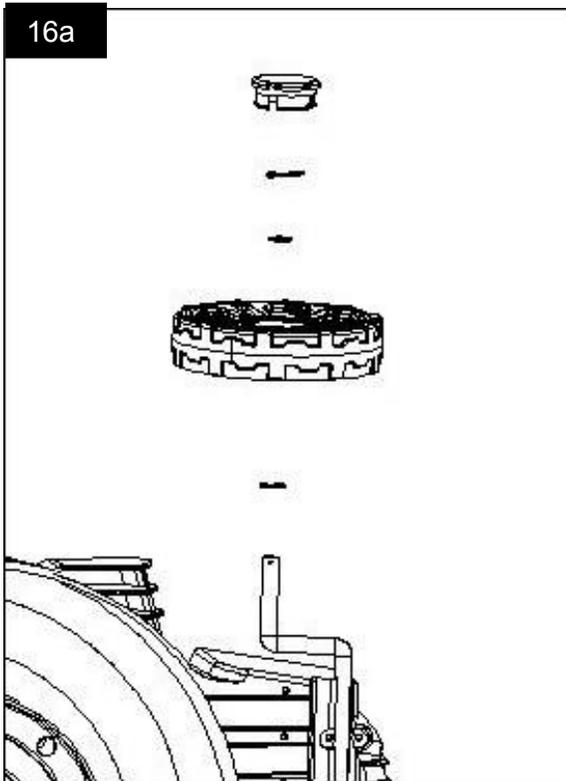
⚠ WARNING: An unbalanced blade will cause excessive vibration when rotating at high speeds. It may cause damage to the mower and could break, causing personal injury.

REPLACING THE WHEELS (Fig. 16a &16b)

⚠ WARNING: Always remove the battery pack when servicing or transporting the mower.

1. Use a flat-edged screwdriver to pry the dust cover off the wheels.
2. Use hand to release the external retaining ring.
3. Remove flat washer and worn wheels from axle.
4. Install the new wheels on the axle and tighten the wheels after mounting the flat washer and the external retaining ring.
5. Install the dust cover on the wheel and press it into position.





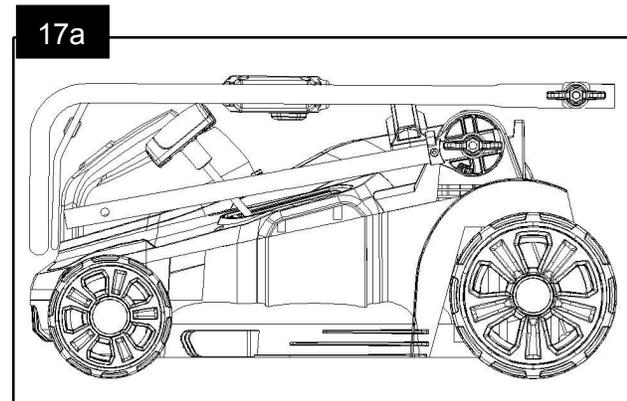
STORING THE MOWER

The following steps should be taken in order to prepare the lawn mower for storage.

1. Remove the battery pack from the mower and store it at room temperature in a dry location.
2. Clean the mower as described earlier in the maintenance section.
3. Inspect the blade and replace it or sharpen it if required.
4. Store the mower in a dry, clean location. Do not store it next to corrosive materials, such as fertilizer or rock salt.
5. Store the mower in a covered, enclosed space, that is cool and dry and out of the reach of children.
6. Do not cover the lawn mower with a solid plastic sheet. Plastic coverings trap moisture around the mower, which causes rust and corrosion.

The handle assembly can be folded away completely for storage:

1. Remove the grass bag.
2. Move the cutting-height adjustment lever toward the front and engage it in the lowest setting (setting 1).
3. Open the upper locking knobs and fully recess the side rails to the compact position.
4. Open the lower locking knobs to release the handle. Gently pivot the handle toward the front of the mower.
5. Store the mower flat (Fig. 17a).



⚠ WARNING: If the mower tips over from the upright position, mower damage or personal injury may result. Always keep the mower stable and out of the reach of children when it is in the upright position. If possible, lay it flat for storage.

TROUBLESHOOTING

⚠WARNING: Always remove the battery pack when servicing or transporting the mower. Always protect your hands by wearing heavy gloves or wrapping the cutting edges with rags or other materials when performing any maintenance on the mower blade.

Problem	Cause	Solution
The mower fails to start	<ul style="list-style-type: none"> ■ The battery pack is depleted. ■ The battery pack is not mounted in place in the battery compartment. ■ The battery or mower circuitry is too hot. (The power indicator on the mower will illuminate orange) ■ The side rails are not extended to their maximum length and the locking knobs are not locked in position. ■ The handle is not set at one of the three operating positions. ■ The mower deck is clogged with grass and debris. 	<ul style="list-style-type: none"> ■ Charge the battery pack. ■ Attach the battery pack to the mower; press it until you hear a click. ■ Allow the battery pack or mower to cool until the temperature drops below 152°F (67°C). ■ Fully extend the handle and lock 4 locking knobs. ■ Adjust the handle to one of the three operating positions. ■ Clean the mower deck and make certain that the blade has freedom of movement.
The mower cuts unevenly	<ul style="list-style-type: none"> ■ The blade is dull. ■ The cutting height is not set properly. ■ The blade is assembled incorrectly. 	<ul style="list-style-type: none"> ■ Sharpen or replace the blade. ■ Move the deck height to a higher setting. ■ Reassemble the blade, following the section "INSTALLING THE BLADE" in this manual.
The mower stops while mowing	<ul style="list-style-type: none"> ■ The battery pack is depleted. ■ Mower is in overload condition. ■ Mower deck is clogged with grass and debris. ■ The battery or mower circuitry is too hot. (The power indicator on the mower will illuminate orange for 10 seconds.) ■ The side rail is retracted a little by the pushing force applying on the handle. 	<ul style="list-style-type: none"> ■ Charge the battery pack. ■ Raise the cutting height or slow down the mowing. ■ Unclog the mower deck. Raise the cutting height, or cut a narrow swath. ■ Allow the battery pack or mower to cool until the temperature drops below 152°F (67°C). ■ Unlock the locking knobs. Fully extend the side rails and lock the knobs again.

Problem	Cause	Solution
The mower does not mulch properly	<ul style="list-style-type: none"> ■ Wet grass clippings are sticking to the underside of the deck. ■ The mower is set to cut too much grass at once. 	<ul style="list-style-type: none"> ■ Wait until the grass dries before mowing. ■ Raise the deck to a higher cutting height setting.
There is excessive vibration	<ul style="list-style-type: none"> ■ The cutting blade is loose. ■ The cutting blade is unbalanced. ■ The cutting blade is bent. ■ The motor shaft is bent. 	<ul style="list-style-type: none"> ■ Tighten the blade bolt. ■ Balance the blade following the instructions. ■ Replace the blade. ■ Contact the service center.
Locking knobs cannot be closed in position	<ul style="list-style-type: none"> ■ The side rails are not fully extended. 	<ul style="list-style-type: none"> ■ Fully extend the side rails, then lock the knobs.
Mower is difficult to pull back when the self propel is turned off.	<ul style="list-style-type: none"> ■ The wheels are temporarily locked. 	<ul style="list-style-type: none"> ■ Simply push ahead slightly and then move the mower as desired.
The motor works but the blade doesn't cut the grass.	<ul style="list-style-type: none"> ■ The blade is not tightened to the required torque. 	<ul style="list-style-type: none"> ■ Re-tighten the blade. The recommended torque for the blade bolt is 36-43 ft-lb (49-59Nm)
Short running time of the mower with included battery	<ul style="list-style-type: none"> ■ Grass conditions and cutting height setting will greatly affect the battery run time. The claimed run time is based on a light load condition. 	<ul style="list-style-type: none"> ■ Raise the blade height and slow your pace to reduce the cutting load

WARRANTY

HENX WARRANTY POLICY

2 year limited warranty on HENX outdoor power equipment and 2 year limited warranty on HENX battery packs and chargers.

Please contact HENX Customer Service at 866-6788989 any time you have questions or warranty claims.

LIMITED SERVICE WARRANTY

FOR 2 YEAR from the date of original retail purchase, this HENX product is warranted against defects in material or workmanship.

Defective product will receive free repair.

FOR 2 YEAR from the date of original retail purchase, the HENX battery pack and charger are warranted against defects in material or workmanship. Defective product will receive free repair.

This warranty does not cover the blade, which is a part that can wear out from normal use within the warranty period.

- This warranty applies only to the original purchaser from an authorized HENX retailer and may not be transferred. Authorized HENX retailers are identified online at www.henxpower.com
- The warranty for any HENX product or part used for industrial, professional or commercial purpose is ONE year.
- This warranty is void if the product has been used for rental purpose.
- This warranty does not cover the damage resulting from modification, alteration or unauthorized repair.
- This warranty only covers defects arising under normal usage and does not cover any malfunction, failure or defect resulting from misuse, abuse (including overloading of the product beyond capacity and immersion in water or other liquid), accidents, neglect or lack of proper installation, and improper maintenance or storage.
- This warranty does not cover normal deterioration of the exterior finish, including but not limited to scratches, dents, paint chips, or to any corrosion or discoloring by heat, abrasive and chemical cleaners.

HOW TO OBTAIN SERVICE

For warranty service, please contact HENX customer service at 866-6788989 . When requesting warranty service, you must present the original dated sales receipt. An authorized service center will be selected to repair the product according to the stated warranty terms.

ADDITIONAL LIMITATIONS

To the extent permitted by applicable law, all implied warranties, including warranties of MERCHANTABILITY or FITNESS FOR A PARTICULAR PURPOSE, are disclaimed. Any implied warranties, including warranties of merchant-ability or fitness for a particular purpose, that cannot be disclaimed under state law are limited to five years from the date of purchase for outdoor power equipment and three years from date of purchase for battery pack and charger.

Some states do not allow limitations on how long an implied warranty lasts and/or do not allow the exclusion or limitation of incidental or consequential damages, so the above limitations may not apply to you.

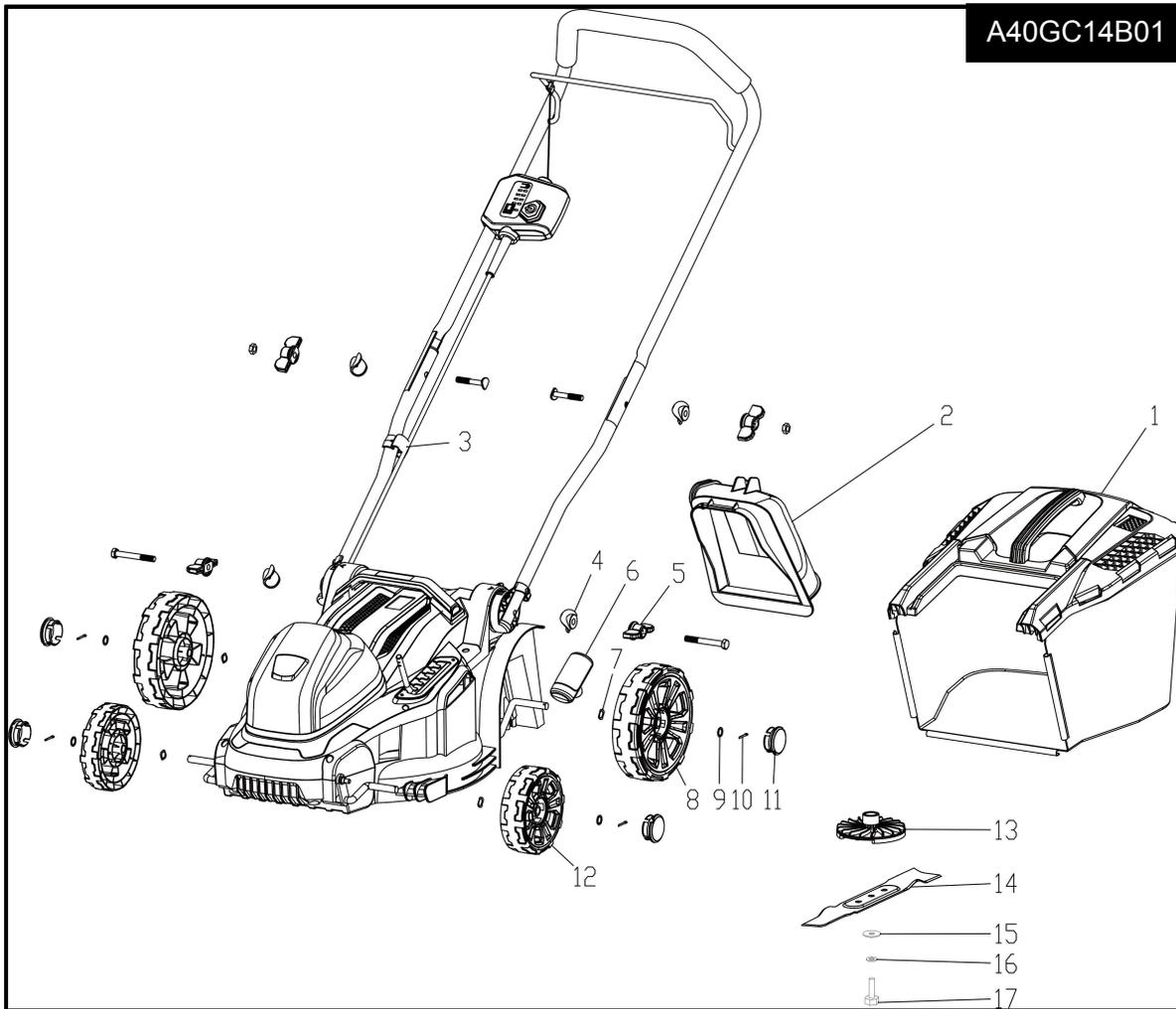
This warranty gives you specific legal rights, and you may also have other rights which vary from state to state. For customer service contact us at: 866-6788989 .

PARTS LIST

40V LITHIUM-ION CORDLESS LAWN MOWER MODEL NUMBER

The Model Number will be found on the Nameplate attached to the rear-discharge door of the lawn mower. Always mention the Model Number when ordering parts for this tool.

EXPLODED DRAWING



PARTS LIST

No.	Part Name	Quantity
1	Grass Bag	1
2	Side Discharge Chute	1
3	Wire clamp	1
4	Bolt sleeve	4
5	Locking knob	4
6	Cutting-height adjustment lever	1
7	Wave washer	4
8	Rear wheel	2
9	Flat washer	4
10	Split pin	4
11	Hubcap	1
12	Front wheel	2
13	Blade adapter	2
14	Blade	1
15	Flat washer	4
16	Spring washer	4
17	Hex bolt	1



To comply with European Directive 2012/19/EU concerning old electric and electronic equipment and its implementation in national laws, old electric power tools have to be separated from other waste and disposed of in an environment-friendly fashion, e.g. by taking to a recycling depot.

Recycling alternative to the return request:

As an alternative to returning the equipment to the manufacturer, the owner of the electrical equipment must make sure that the equipment is properly disposed of if he no longer wants to keep the equipment. The old equipment can be returned to a suitable collection point that will dispose of the equipment in accordance with the national recycling and waste disposal regulations. This does not apply to any accessories or aids without electrical components supplied with the old equipment.



Environmental damage through incorrect disposal of the batteries / rechargeable batteries.

Batteries /rechargeable batteries may not be disposed of with the usual domestic waste. They may contain toxic heavy metals and are subject to hazardous waste treatment rules and regulations. Please dispose of batteries according to the relevant local requirements.

Remove the battery from the product before disposal.



Bring Power to Your Garden.

www.henxpower.com