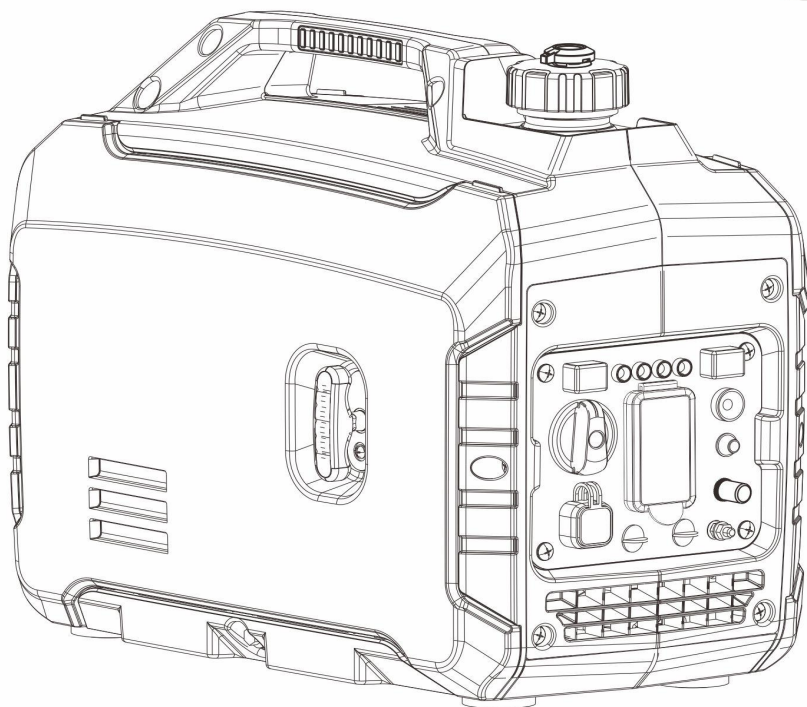


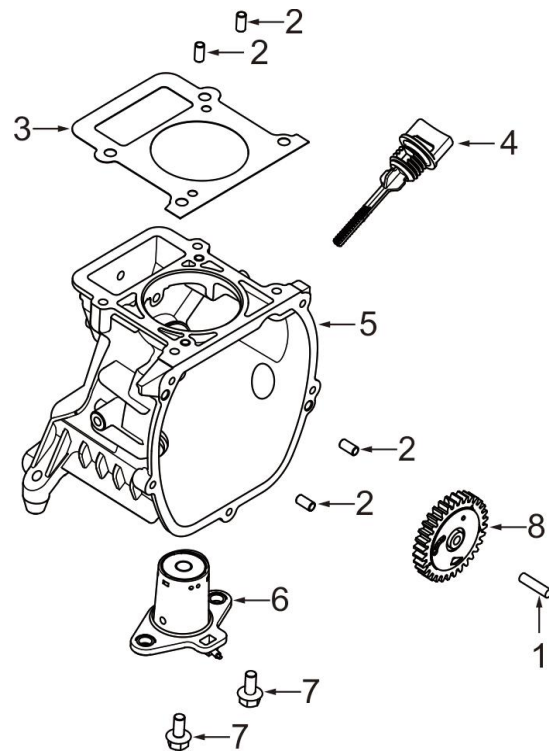
零部件图册

PARTS CATALOG



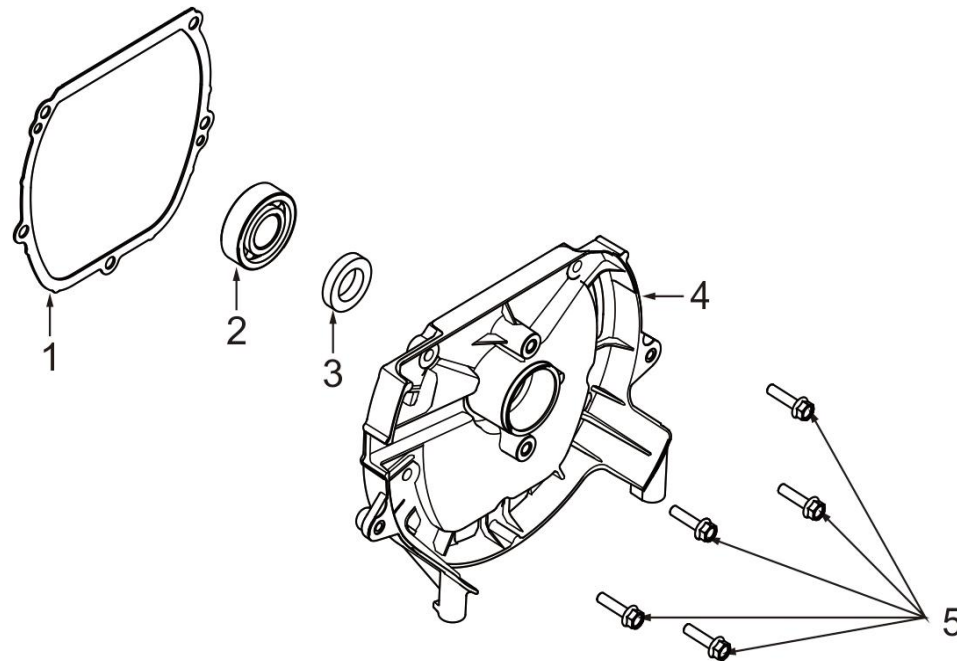
GM2000i

Inverter Generator



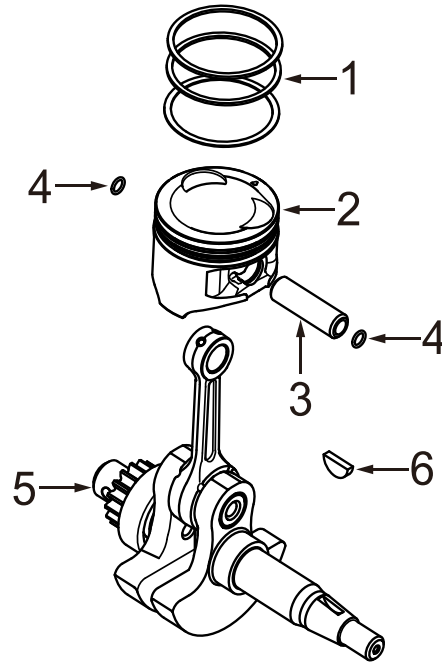
曲轴箱 (Crankcase)

序号 No.	零部件图号 Part No.	零部件名称	Description	数量 Quantity
1	7571.145.0010.00.00	凸轮轴销	Camshaft pin	1
2	3170.145.004V.00.00	定位销 5*10	Set pin	4
3	3020.145.0020.00.00	缸头垫	Gasket, Cylinder head	1
4	1230.164.001V.00.00	机油尺组件	Oil gauge ass.	1
5	1000.B02.0011.00.00	曲轴箱体	Crankcase body	1
6	1020.145.0011.00.00	机油传感器	Oil protector	1
7	5787.06012.00.01	带盘螺栓 M6*12	Bolt	2
8	1040.B02.0010.00.00	凸轮轴组件	Camshaft ass.	1



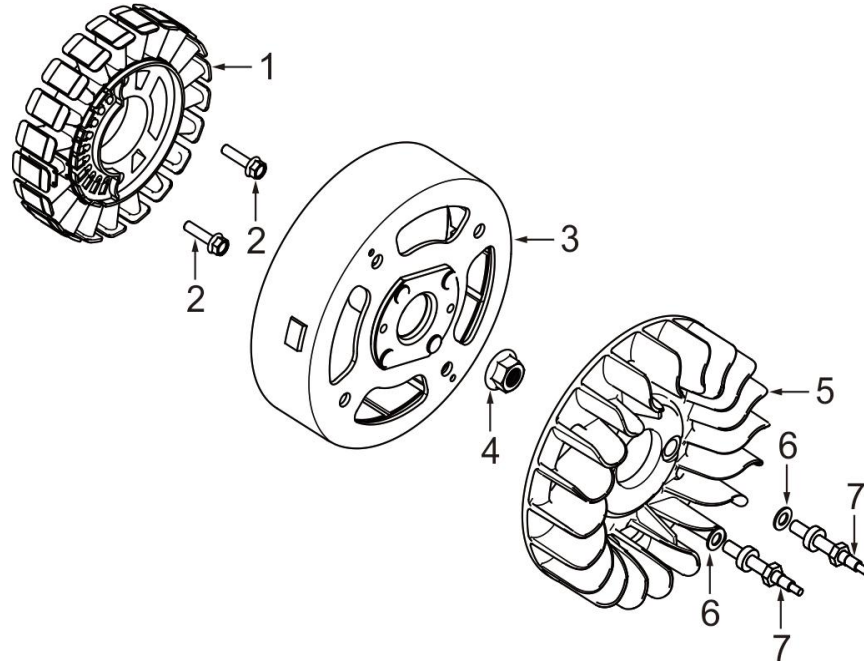
曲轴箱盖 (Crankcase cover)

序号 No.	零部件图号 Part No.	零部件名称	Description	数量 Quantity
1	3040.145.004V.00.00	曲轴箱垫片	Gasket, Crankcase	1
2	0270.152.R001V.00.00	轴承6203	Ball bearing	1
3	3150.145.0020.00.00	油封17*28*5.5	Oil seal	1
4	1010.B02.0011.00.00	曲轴箱盖	Crankcase cover	1
5	5789.05020.00.11	带盘螺栓 M5*20	Bolt	5



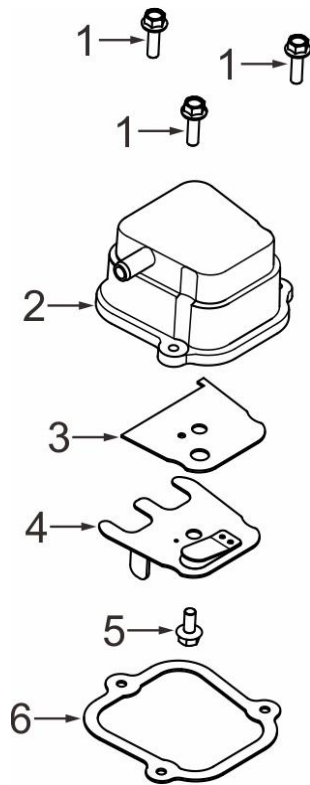
曲轴 (Crankshaft)

序号 No.	零部件图号 Part No.	零部件名称	Description	数量 Quantity
1	0210.148.001V.00.00	活塞环组件	Piston ring ass.	1
2	0200.148.001V.00.00	活塞	Piston	1
3	0220.148.001V.00.00	活塞销	Piston pin	1
4	0230.148.001V.00.00	活塞销卡圈	Clip,Piston pin	2
5	0180.B02.0020.60.00	曲轴组件	Grankshaft ass.	1
6	010991.030513.00.00	半圆键	Woodruff key	1



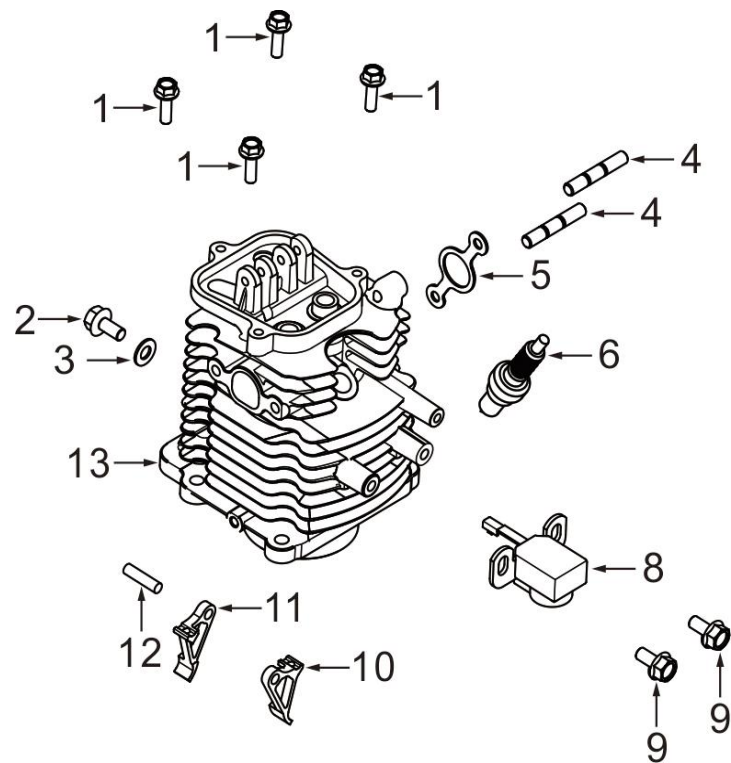
电机组件 (Motor assembly)

序号 No.	零部件图号 Part No.	零部件名称	Description	数量 Quantity
1	4000.452.0060.00.02	电机定子	Motor stator	1
2	5787.06025.00.01	螺栓 M6*25	Bolt	2
3	4000.452.0020.00.01	电机转子	Motor rotor	1
4	6177.10000.05.01	螺母 M10*1.25	Nut	1
5	2030.145.001V.63.00	飞轮风扇	Flywheel fan	1
6	0097.06000.00.01	平垫圈 Φ6	Flat washer	2
7	1983.145.0010.00.00	叶轮安装双头螺栓	Impeller mounting stud	2



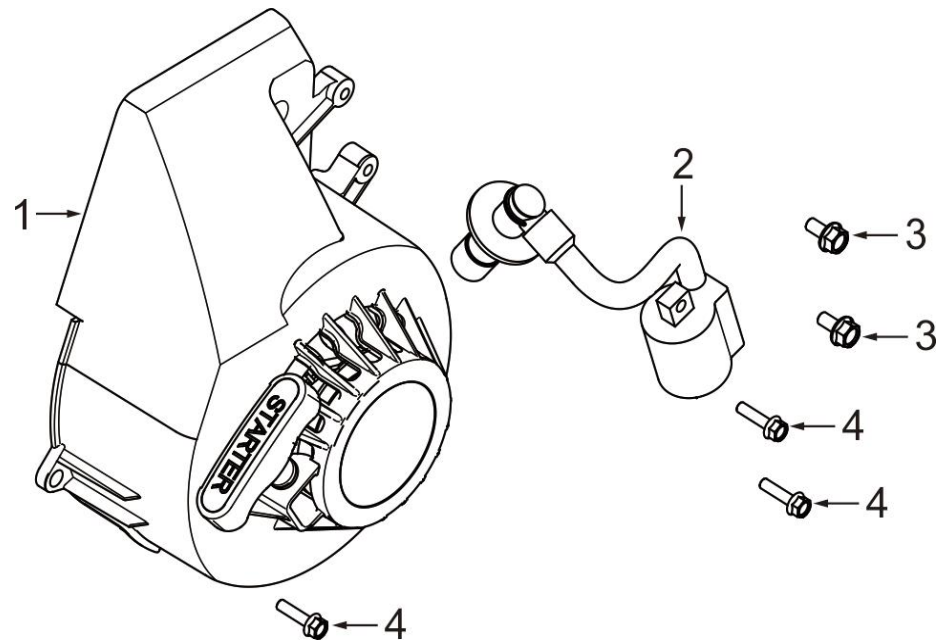
缸头盖组件 (Cylinder head cover assembly)

序号 No.	零部件图号 Part No.	零部件名称	Description	数量 Quantity
1	5789.05014.00.011	螺栓M5*14	Bolt	3
2	0001.B02.0010.00.00	缸头盖 79cc	Cylinder head cover	1
3	7061.B02.0020.00.01	呼吸阀垫	Breathing valve pad	1
4	7061.B02.0010.00.00	呼吸阀组件	Breathing valve assembly	1
5	5789.05010.00.01	螺栓 M5*10	Bolt	1
6	3000.B02.0020.00.00	缸头盖垫	Cylinder head cover pad	1



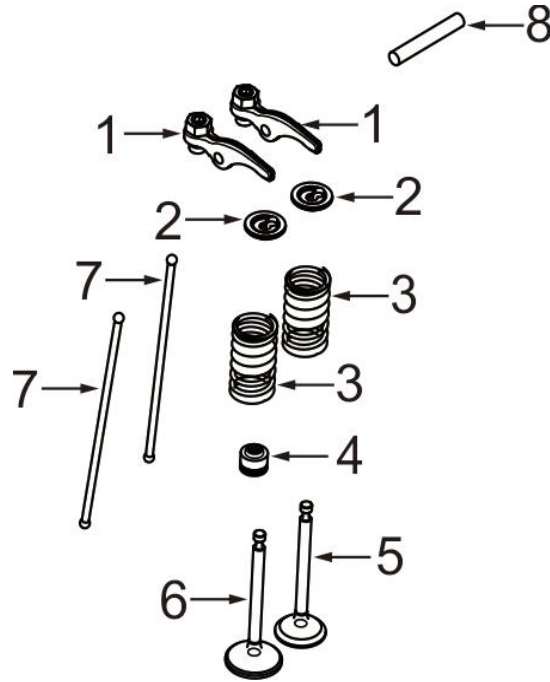
缸头组件 (Cylinder head parts)

序号 No.	零部件图号 Part No.	零部件名称	Description	数量 Quantity
1	5787.06018.00.10	带盘螺栓 M6*18	Bolt	4
2	5787.06008.00.01	螺栓 M6*8	Bolt	1
3	4200.750.001V.00.28	铝平垫 Φ6	Aluminum flat pad	1
4	0900.06025.00.01	双头螺栓 6*25	Stud bolt	2
5	3100.B02.0010.00.00	排气口垫	Exhaust gasket	1
6	2160.148.R001V.00.00	火花塞	Spark plug	1
7	2230.B02.0010.00.00	下导风罩	Wind guide	1
8	2050.T48.002V.00.00	触发线圈组件	Trigger coil assembly	1
9	5787.06012.00.01	螺栓 M6*12	Bolt	2
10	1554.145.001V.00.00	下摇臂 (排)	Lower rocker arm	1
11	1553.145.001V.00.00	下摇臂 (进)	Lower rocker arm	1
12	1555.145.001V.00.00	下摇臂销	Lower rocker pin	1
13	0010.B02.0011.00.00	缸头组件	Cylinder head parts	1



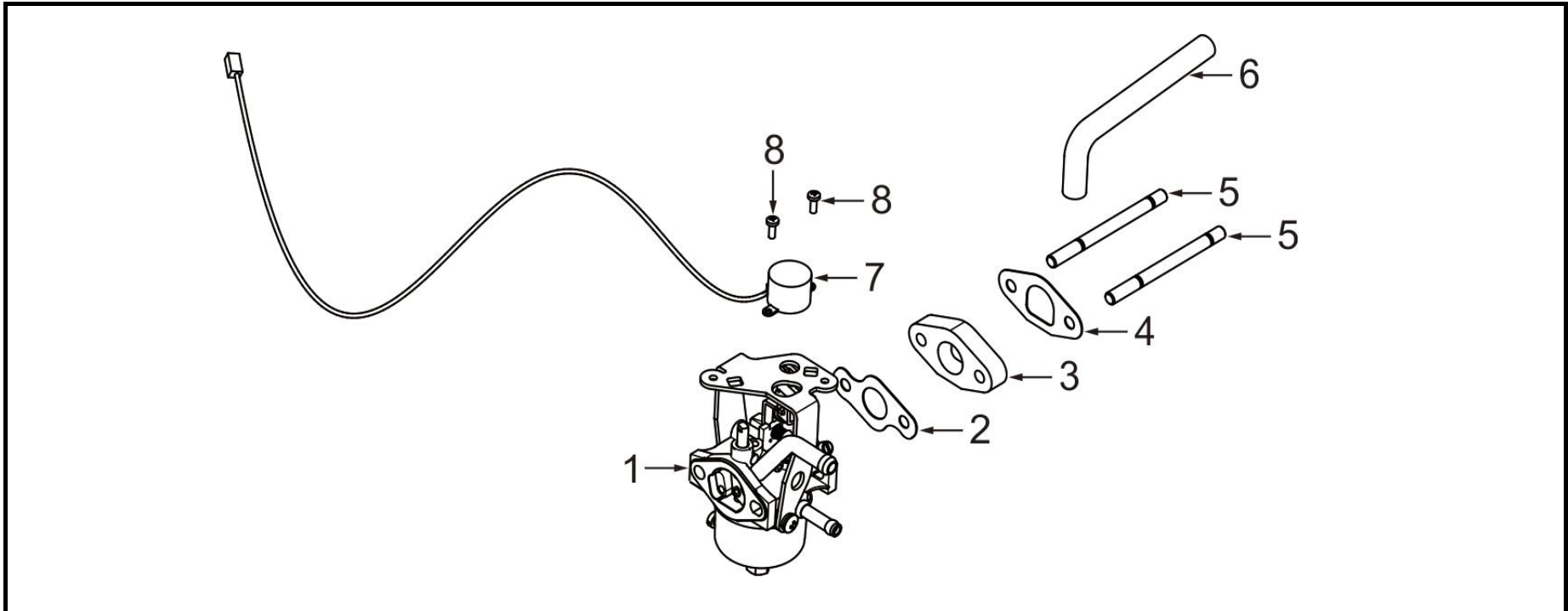
单机起动器 (Engine Starter)

序号 No.	零部件图号 Part No.	零部件名称	Description	数量 Quantity
1	2000.B02.0020.00.00	单机起动器组件	Engine starter ass.	1
2	1522.145.0010.00.00	高压包	High pressure bag	1
3	5789.05020.00.11	螺栓 M5*20	Bolt	2
4	5789.05016.00.11	螺栓 M5*16	Bolt	3



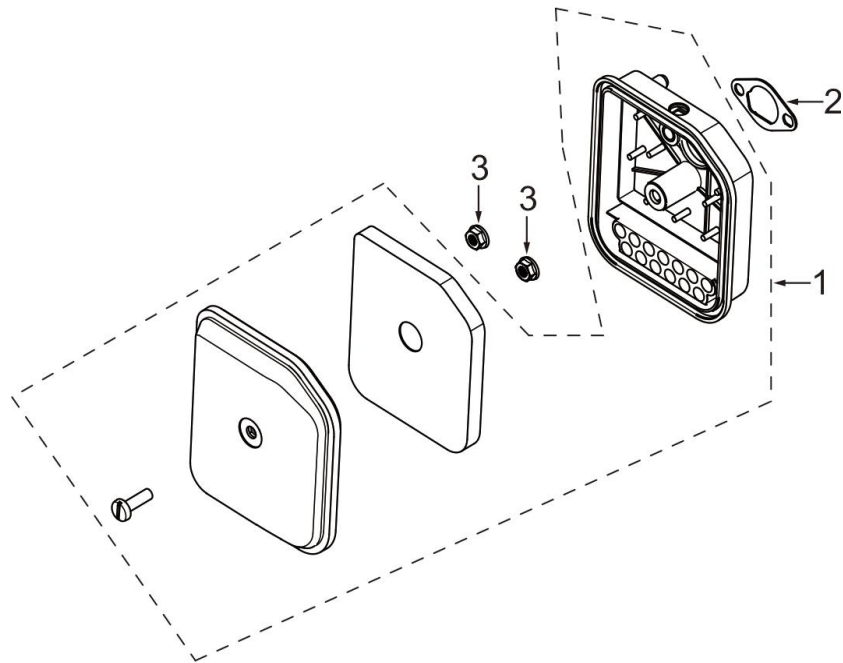
配气机构 (Camshaft parts)

序号 No.	零部件图号 Part No.	零部件名称	Description	数量 Quantity
1	0100.145.003V.00.00	摇臂	Rocker ass.	2
2	0060.148.001V.00.00	气门弹簧座	Valve spring seat	2
3	0040.B02.0010.00.00	气门弹簧	Valve spring	2
4	0085.148.001V.00.00	挡油罩	Oil seal, Intake valve	1
5	0030.148.001V.00.00	排气门	Exhaust valve	1
6	0020.148.001V.00.00	进气门	Intake valve	1
7	0160.B02.0010.00.00	推杆	Pusher	2
8	0101.145.001V.00.00	摇臂销	Rocker pin	1



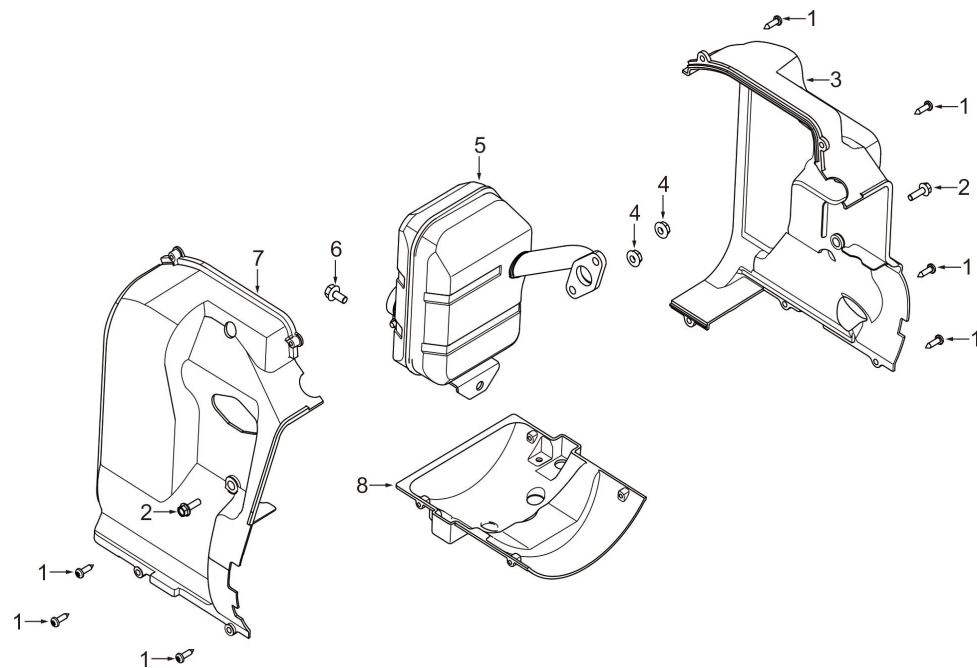
化油器部件 (Carburetor parts)

序号 No.	零部件图号 Part No.	零部件名称	Description	数量 Quantity
1	2260.B02.0020.00.00	化油器组件	Carburetor ass.	1
2	3060.B02.0010.00.00	进气口垫片	Gasket, inlet port	1
3	2300.B02.0010.00.00	化油器接块	Carburetor block	1
4	3060.148.001V.00.00	进气口垫片	Gasket, inlet port	1
5	0900.06085.00.01	排气双头螺栓 6*85	Exhaust stud	2
6	2370.B02.0010.00.00	废气管	Exhaust pipe	1
7	4000.474.0040.00.00	步进电机	Stepper motor	1
8	0818.03008.00.01	十字圆头螺钉 3*8	Cross pan head screw	1



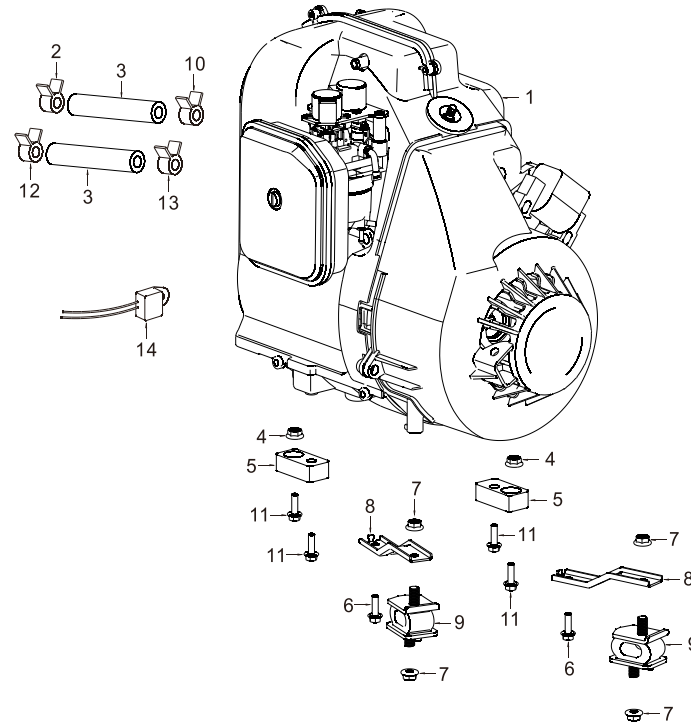
空滤器 (Air cleaner)

序号 No.	零部件图号 Part No.	零部件名称	Description	数量 Quantity
1	2280.145.001V.00.00	空滤器组件	Air cleaner ass.	1
2	3080.145.0010.00.00	化油器纸垫	Carburetor paper pad	1
3	6177.06000.00.01	螺母M6	Nut	2



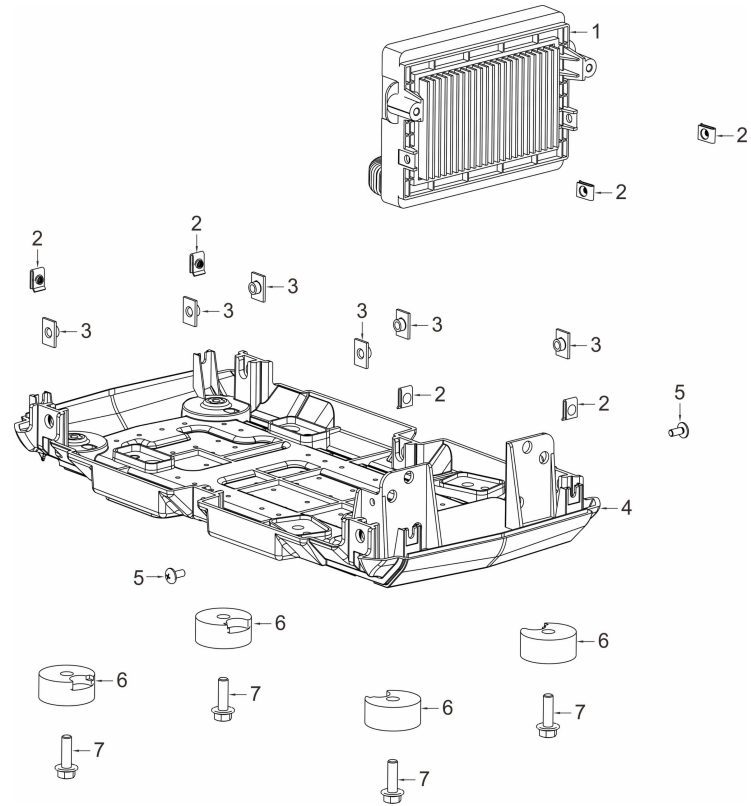
消声器 (Muffler parts)

序号 No.	零部件图号 Part No.	零部件名称	Description	数量 Quantity
1	0845.40016.00.01	自攻螺钉 M4*16	Self tapping screw	7
2	5789.05014.00.11	螺栓 M5*14	Bolt	2
3	7957.B02.0010.00.00	排气侧导风罩	Exhaust side hood	1
4	6177.06000.00.01	螺母 M6	Nut	2
5	2400.452.0011.00.00	消声器组件	Muffler ass.	1
6	5789.06012.00.10	螺栓 M6*12	Bolt	1
7	7958.B02.0010.00.00	进气侧导风罩	Air guide hood on intake side	1
8	2230.B02.0010.00.00	下导风罩	Wind guide	1



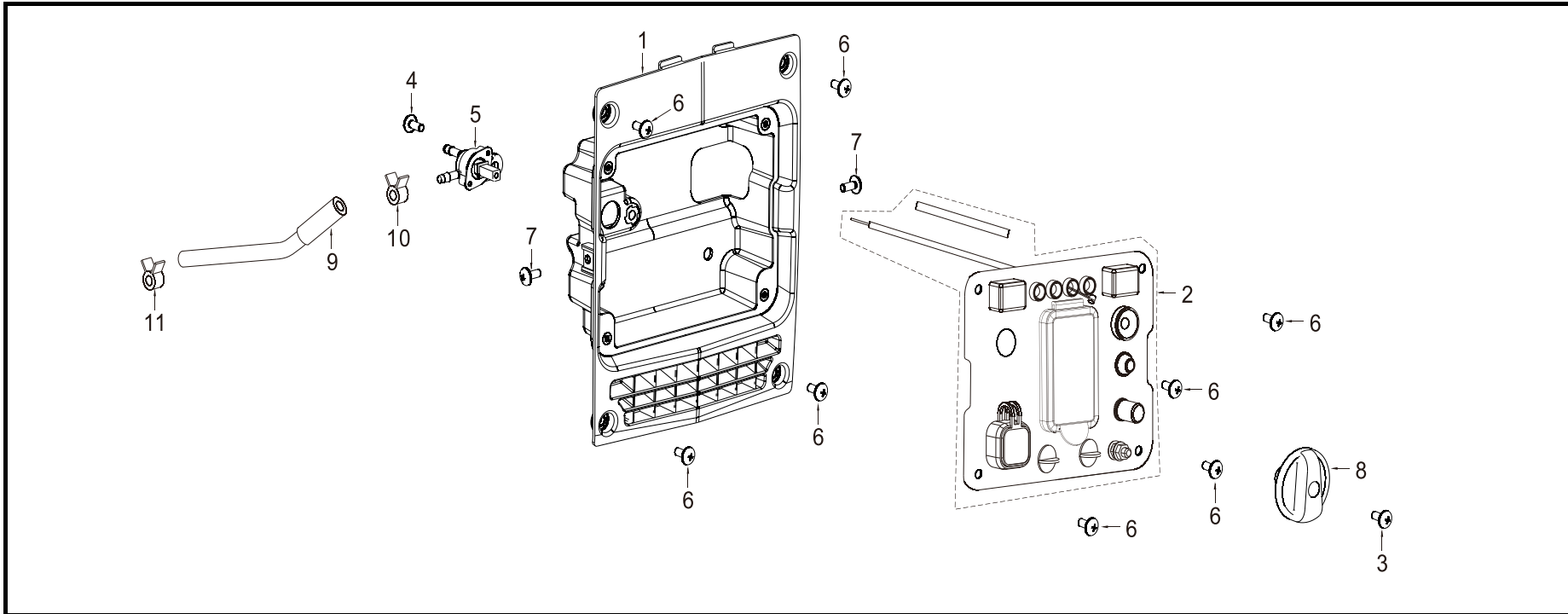
发动机 (Engine)

序号 No.	零部件图号 Part No.	零部件名称	Description	数量 Quantity
1	BP00.048.010.06	148F/P-3	148F/P-3	1
2	2360.458.R007V.00.00	带形油管夹 Φ11	Strip tubing clamp	1
3	2330.168.C430.00.21	燃油蒸发收集管	Fuel evaporation collection pipe	2
4	6177.06000.00.01	螺母 M6	Nut	2
5	3360.452.0010.00.00	发动机减震垫	Engine Mounting	2
6	5789.06014.00.01	螺栓 M6*14	Bolt	2
7	6177.08000.00.01	螺母 M8	Nut	4
8	7328.452.0010.00.00	发动机支架	Engine support	2
9	3360.446.0010.00.00	支架减震垫	Bracket damping pad	2
10	2360.458.R003V.00.00	带形油管夹 Φ8	Strip tubing clamp	1
11	5787.06016.00.01	螺栓 M6*16	Bolt	4
12	2360.458.R004V.00.00	带形油管夹 Φ10	Strip tubing clamp	1
13	2360.458.002V.00.00	带形油管夹 Φ8.5	Strip tubing clamp	1
14	3524.460.0050.00.00	防篡改器	Tamper-proof device	1



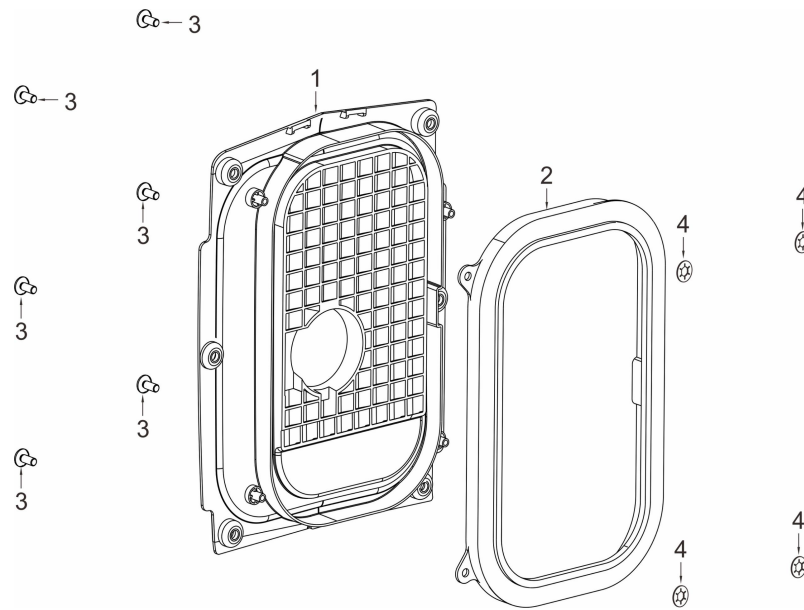
底板/逆变器 (Backplane / Inverter)

序号 No.	零部件图号 Part No.	零部件名称	Description	数量 Quantity
1	2470.452.0020.04.00	逆变器	Inverter	1
2	6178.05000.00.04	夹片螺母 M5	Nut	6
3	3145.469.001V.00.00	T形螺母 M6*20长*14宽*7高	Nut	6
4	3340.452.0010.04.00	底板部件	Base plate components	1
5	5789.05016.00.01	螺栓 M5*16	Bolt	2
6	3350.467.001V.00.00	减震座	Shock mount	4
7	5789.06018.00.01	螺栓 M6*18	Bolt	4



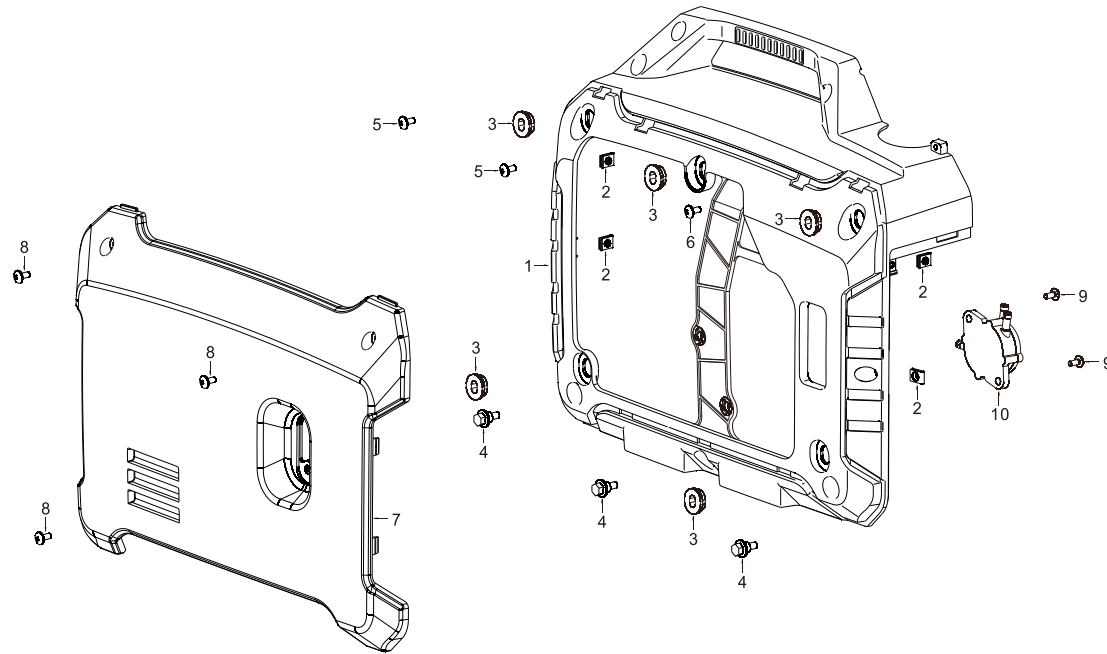
面板 (Panel)

序号 No.	零部件图号 Part No.	零部件名称	Description	数量 Quantity
1	6655.452.0030.00.00	面板座	Panel seat	1
2	3370.452.0160.00.99	面板组件	Panel as	1
3	0818.04014.00.01	螺钉 M4*14	Screw	1
4	5789.06014.00.01	螺栓 M6*14	Bolt	1
5	3210.467.001V.00.00	油开关组合	Oil switch combination	1
6	0818.05016.00.07	螺钉 5*16	Screw	8
7	0818.05010.00.07	螺钉 5*10	Screw	2
8	2141.467.001V.P4.00	三合一开关旋钮	Three in one switch knob	1
9	2330.168.C430.00.21	油管	Tubing	1
10	2360.458.R004V.00.00	带形油管夹 $\Phi 11$	Ribbon tubing clamp	1
11	2360.458.R003V.00.00	带形油管夹 $\Phi 8$	Ribbon tubing clamp	1



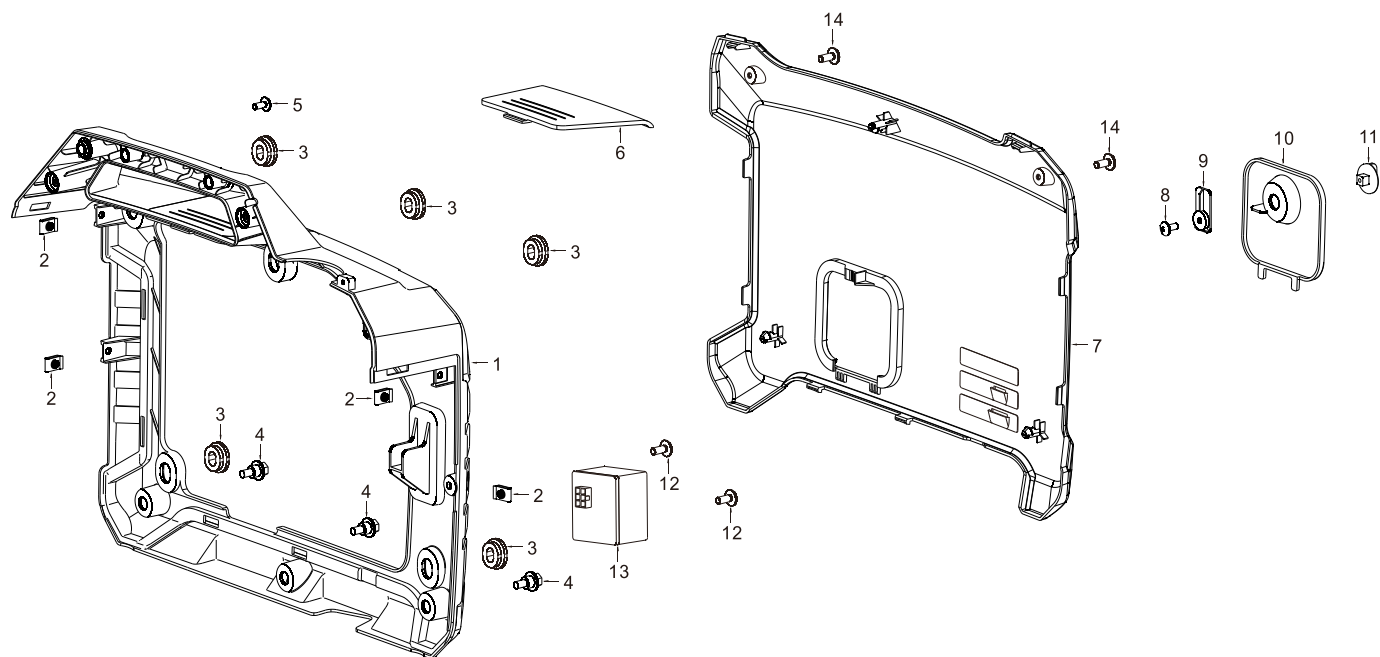
消声器护罩 (Muffler shield)

序号 No.	零部件图号 Part No.	零部件名称	Description	数量 Quantity
1	2420.452.0020.04.00	消声器护罩	Muffler shield	1
2	7824.452.0010.00.00	消声器密封胶套	Muffler sealant sleeve	1
3	0818.05016.00.07	螺钉 5*16	Screw	6
4	5598.467.001V.00.00	梅花孔挡圈	Plum blossom hole retaining ring	4



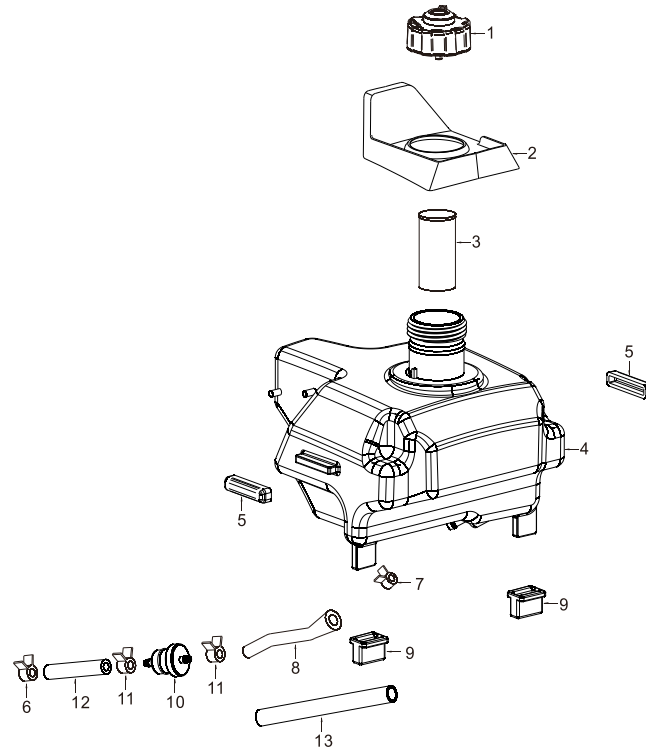
左外观盖板 (Left exterior cover)

序号 No.	零部件图号 Part No.	零部件名称	Description	数量 Quantity
1	2220.452.0030.04.00	左外壳	Left shell	1
2	6178.05000.00.04	夹片螺母 M5	Nut	4
3	5522.467.002V.00.00	油箱支撑胶套B	Oil tank support rubber sleeve B	5
4	4789.467.001V.00.00	台阶螺栓 M6*16.5	Bolt	3
5	0818.05016.00.07	螺钉 5*16	Screw	2
6	0845.42016.00.01	螺钉 M4.2*16	Screw	1
7	5596.452.0070.P4.00	左外观盖板	Left exterior cover	1
8	0818.05010.00.07	螺钉 5*10	Screw	3
9	5787.06016.00.01	螺栓 6*16	Bolt	2
10	1559.452.0010.00.00	燃油泵	Fuel pump	1



右外观盖板 (Right exterior cover)

序号 No.	零部件图号 Part No.	零部件名称	Description	数量 Quantity
1	2222.452.0030.04.00	右外壳	Right shell	1
2	6178.05000.00.04	夹片螺母 M5	Nut	4
3	5522.467.002V.00.00	油箱支撑胶套B	Oil tank support rubber sleeve B	5
4	4789.467.001V.00.00	台阶螺栓 M6*16.5	Bolt	3
5	0818.05016.00.07	螺钉 5*16	Screw	1
6	4259.452.0010.04.00	火花塞盖板	Spark plug cover plate	1
7	5596.452.0080.P4.00	右外观盖板	Right exterior cover plate	1
8	0845.04012.00.01	螺钉 4*12	Screw	1
9	6542.528.001V.00.00	限位挡块 37*18*7	Limit stop	1
10	7540.452.0010.P4.00	机油维护盖	Oil maintenance cover	1
11	6378.528.001V.00.00	护门旋钮 $\Phi 25 \times 18$	Knob	1
12	6111.469.0050.00.00	螺栓 M3*10	Bolt	2
13	5528.460.0011.00.00	CO报警器	CO alarm	1
14	0818.05010.00.07	螺钉 5*10	Screw	2



燃油箱部件 (Fuel tank components)

序号 No.	零部件图号 Part No.	零部件名称	Description	数量 Quantity
1	3200.467.C05V.04.01	油箱盖	Tank cap	1
2	3200.452.0010.00.03	进油口胶套	Oil inlet rubber sleeve	1
3	3200.467.001V.00.02	油箱滤网	Fuel filter	1
4	3200.452.C010.00.00	油箱部件	Fuel tank components	1
5	7868.469.001V.00.00	油箱支撑胶垫	Oil tank support rubber pad	2
6	2360.458.R003V.00.00	带形油管夹 Φ8	Ribbon tubing clamp	1
7	2360.458.R007V.00.00	带形油管夹 Φ11	Ribbon tubing clamp	1
8	2330.452.C010.00.21	燃油蒸发收集管 7*11*80	Tubing	1
9	7868.452.0010.00.00	油箱支撑胶垫	Oil tank support rubber pad	2
10	2325.469.0010.00.00	燃油过滤器	Fuel filter	1
11	2360.458.R005V.00.00	带形油管夹 Φ9	Ribbon tubing clamp	2
12	2330.168.C430.00.21	燃油蒸发收集管 4*8*7*10*80	Tubing	1
13	2332.467.007V.00.00	硅胶保护套 Φ12*50	Silicone protective cover	1