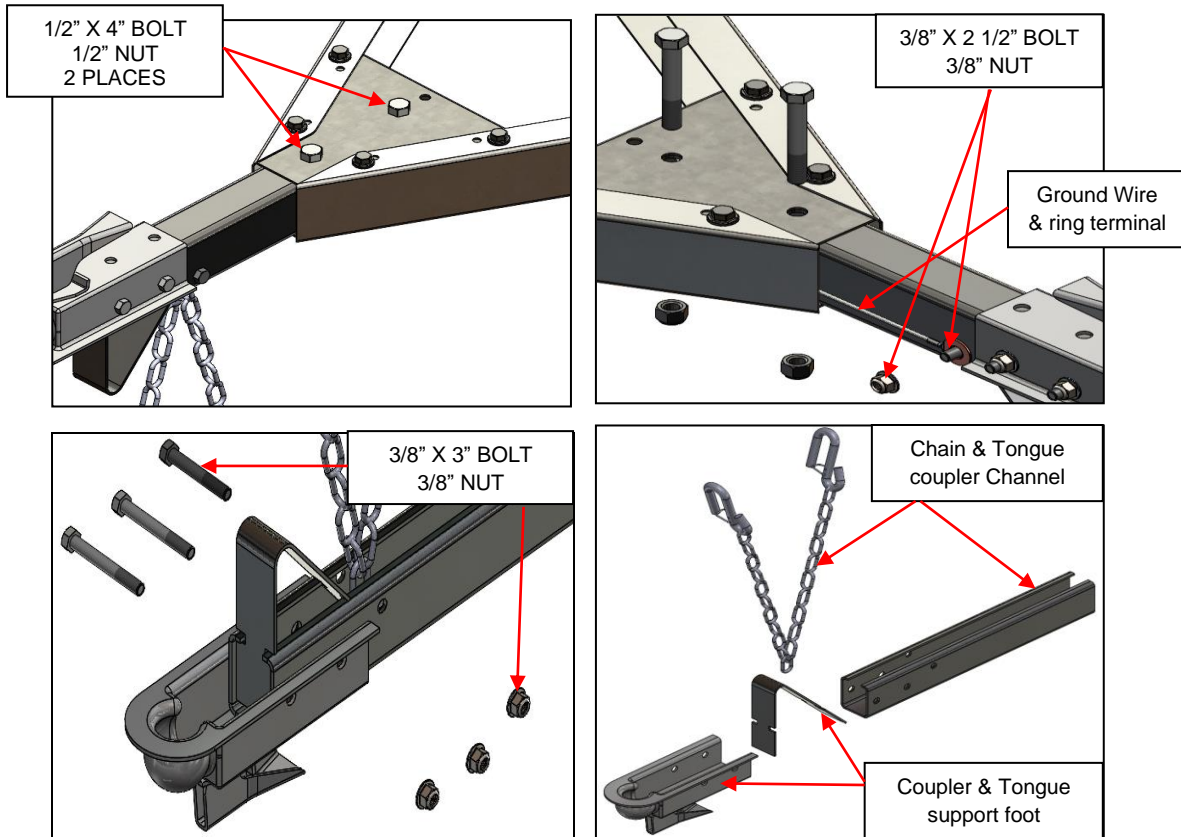


Trailer Tongue Extension

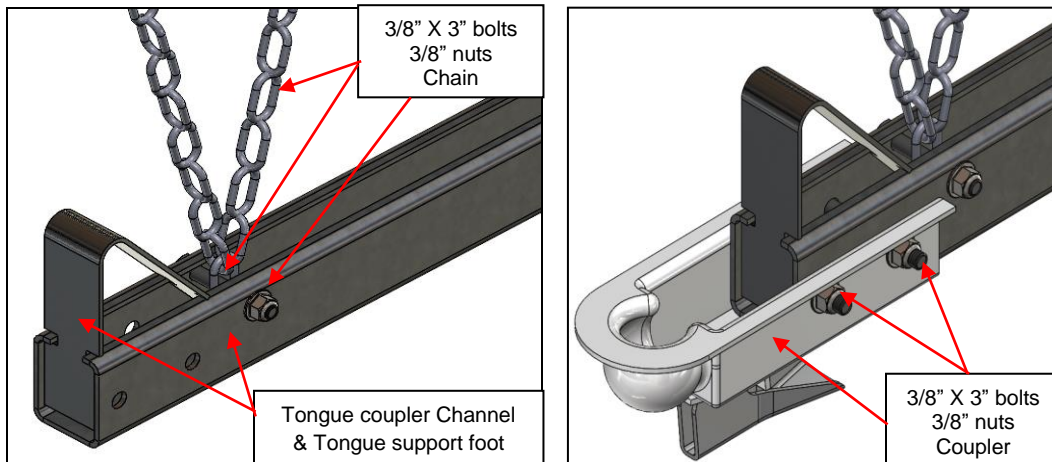
1: Tongue Removal

- Remove the 1/2"-13 x 3 1/2" bolts and nuts from the tongue support plate.
- Remove the tongue from the tongue connection bracket.
- Unbolt the ground wire which is mounted on a 3/8"-16 X 2 1/2" bolt.
- Remove the tongue and place it on a flat surface upside down.
- Remove the 3/8"-16 X 3" bolts and nuts to disassemble the coupler from the tongue channel.
- Disassemble coupler, chain, and tongue support foot to reuse it on the new tongue.

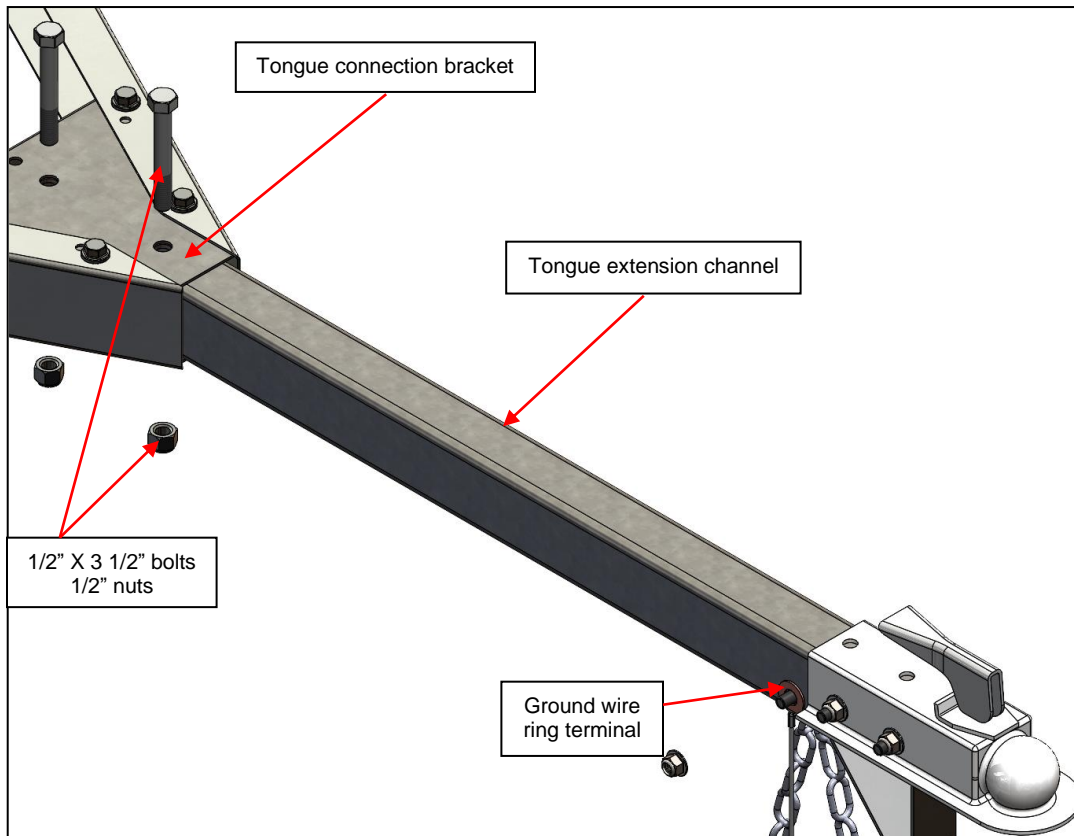


2: Tongue Extension Installation

- Slide tongue support foot into tongue coupler channel first.
- Insert the 3/8"-16 X 3" bolt and nut into the tongue coupler channel to hold the chain in place.
- Assemble the coupler on the tongue coupler channel with the help of 3/8"-16 X 3" bolts and 3/8" nuts.



- d) Slide the tongue extension into the tongue connection bracket and align both holes.
 - e) Insert the 1/2"-13 x 3 1/2" bolts to hold tongue extension in place and tighten up with same size nuts.
 - f) Put ground wire ring terminal on the 3/8"-16 X 3" bolt and tighten up with nut.
- *** Make sure not to damage ring terminal while tightening up nut*****



Final Assembly View