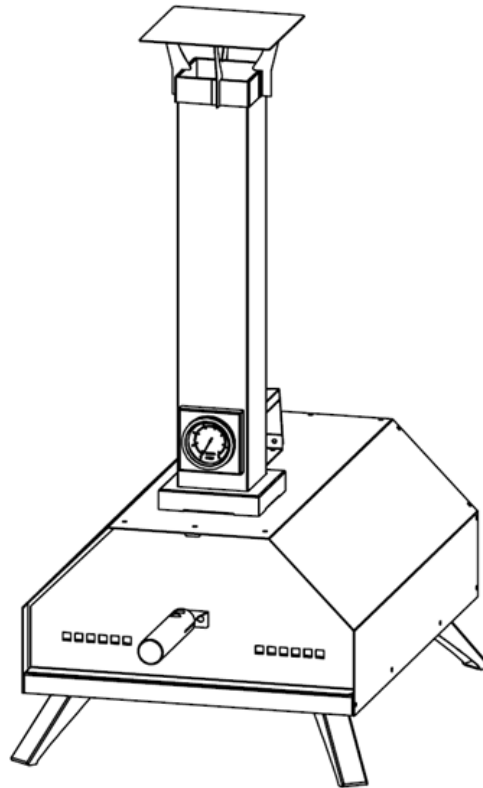




Pizza oven

Owner's Manual

Model: WPO11SS



Assembly Required

The following common tools (not included) are required for assembly:

Phillips screwdriver, and an adjustable wrench, or pliers



OUTDOOR USE ONLY! NEVER USE INDOORS!



Read and follow **all** of these manufacturer instructions **before beginning assembly or operation**. Failure to do so could result in **fire, burns, or other serious personal injury**.



Keep this owner's manual for future reference.

Contents

Important Safety Information and Warnings	3
California Proposition 65 Warning	3
Preparation Safety	4
About Fuel	4
Grill Use Safety	4
Preparation	4
Parts Diagram	5
Parts and Hardware	5
Assembly	6
Lighting instructions	7
Limited Warranty	8
Customer Service	8

IMPORTANT SAFETY INFORMATION!

WARNING

CALIFORNIA PROPOSITION 65

- 1) **Combustible by-products produced when using this product contain chemicals known to the State of California to cause cancer, birth defects, or other reproductive harm.**
- 2) **This product contains chemicals, including lead and lead compounds, known to the State of California to cause cancer, birth defects, or other reproductive harm.**

ALWAYS wash your hands after handling this product!

Please kindly take some times to review the safety guide before using this appliance.

- Pellet Pizza Oven give off carbon monoxide when in use, which is poisonous. So please do not use it indoors or either in a tent, garage or any other enclosed area. Just use it outdoors only.
- Just like as all fire-based products, children and animals should not be left unattended while it is lit.
- Oven remains hot even after visible flames have died down. Please kindly allow it to cool down at least 1 hour after using before moving, cleaning or removing parts.
- Please use the dry natural firewood, twigs, and other woody biomass fuel only. Plywood, vinyl and liquid fuel will cause damage or fire.
- Please be sure to place this product in a flat and stable place to prevent tumbling. But do not use it on wood deck or dead grass and keep it away from wooden fences, overhanging trees and other flammable or combustible materials: gasoline, flammable vapours and liquids.
- Please protect your oven from adverse weather conditions, including high winds and rain. We recommend you to store it in a warm, dry environment when it is not in use. Ensure that it is cool and dry.
- It is dangerous to modify the pizza oven and it is not permitted. Failure to follow the instructions in this manual could result in a serious injury or property damage.
- When the pellet in the pizza oven is burning, the door must be closed unless food needs to be put in or take out. Always operate the door with provided handle. Make sure oven gloves or mitts are used.

Preparation Safety

WARNING

- **DO NOT** use this oven unless **all parts are in working condition and properly installed**.
- **Use care** when lifting or moving this oven to prevent strains and back injuries.

About Fuel

WARNING

Recommended fuels for this product are as follows.

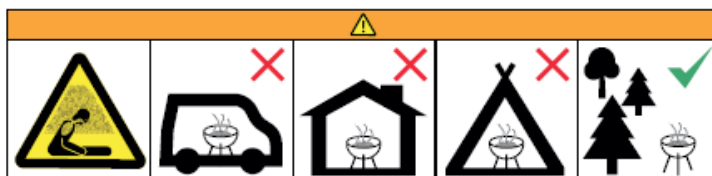
Small wood branch -----Cut within 10cm long
-----A natural piece of wood divided into about 1cm
------(conifer or broad leaf tree)

Other woody biomass fuel -----Pellet

Grill Use Safety

WARNING

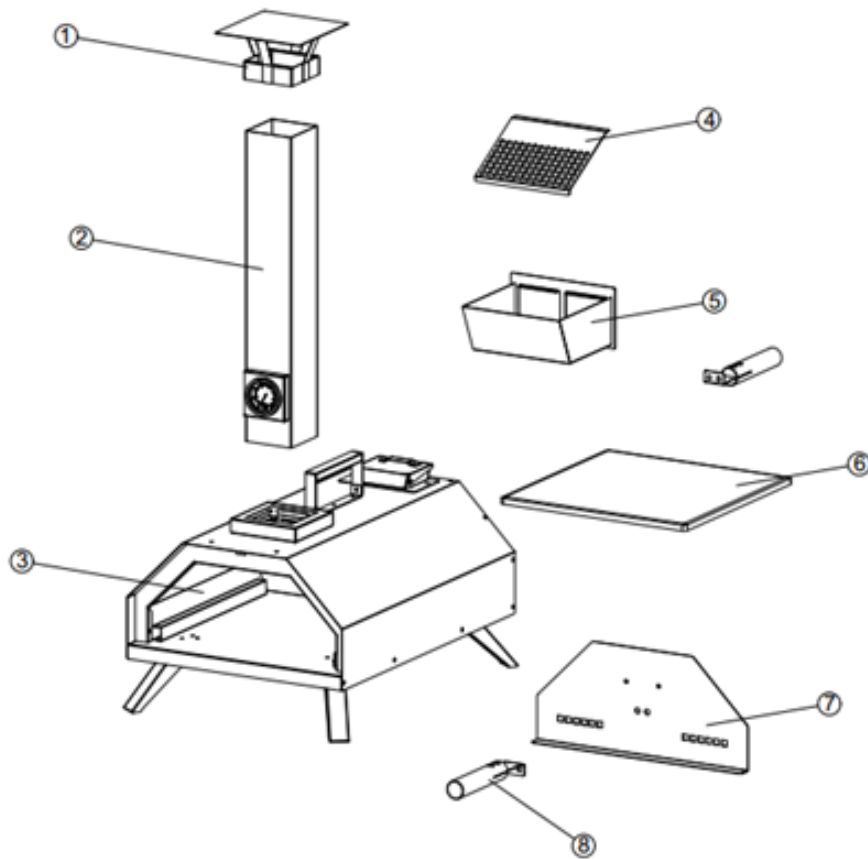
- **DO NOT** use the oven in **windy conditions**.
- **NEVER** leave a hot oven unattended.
- **Oven is hot when in use**. To avoid burns
 - **DO NOT** attempt to move the oven while **lit** or still **hot**.
 - **ALWAYS** wear **protective gloves** or **oven mitts**.
 - **DO NOT TOUCH** any hot oven surfaces
- **DO NOT** wear loose clothing or allow hair to come in contact with oven.
- **USE EXTREME CAUTION** when **adding pellet** and/or **wood** to the grill **while cooking**.



Preparation

1. Assemble the pizza oven by following the assembly instructions carefully.
2. Wash the pizza stone in warm water with soap and a sponge.

Parts Diagram

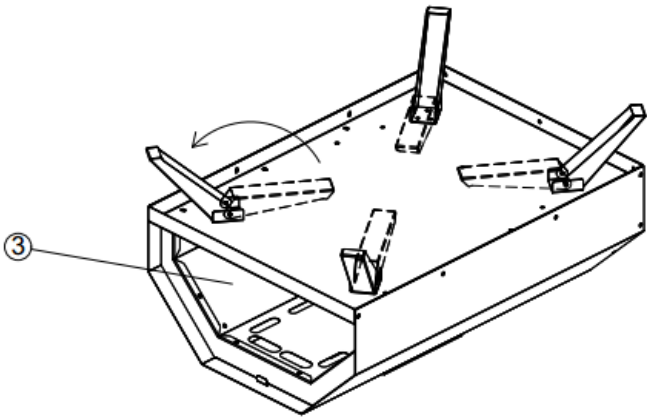


Parts and Hardware

Item	Name	Q'ty	Item	Name	Q'ty
1	Chimney Hat	1	5	Pellet box	1
2	Chimney Pipe	1	6	Pizza Stone	1
3	Oven Body	1	7	Door	1
4	Clapboard for pellet box	1	8	Handle	2
Item	Description			Q'ty	
A	M5 * 10 (sus201)			2	

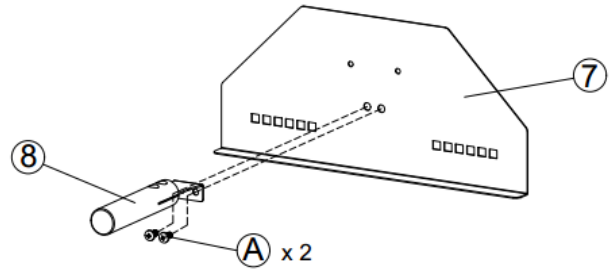
Assembly

STEP 1



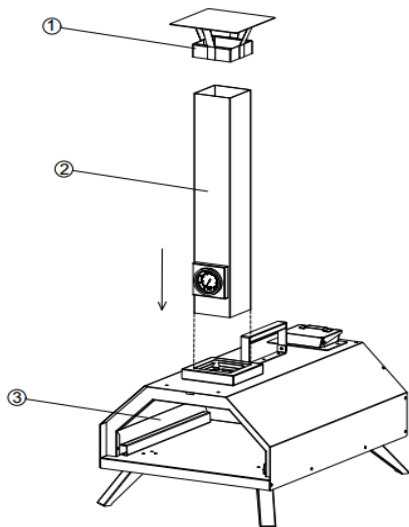
Unfold the legs in the direction of the arrow.

STEP 2

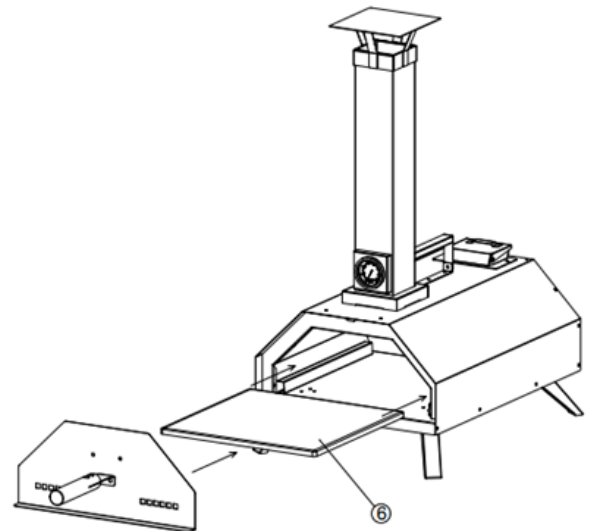


Use two M5*10 screws to fix the handle to the door.

STEP 3

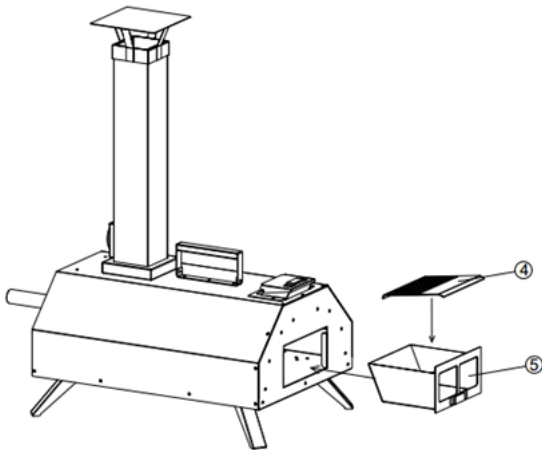


Insert the chimney into the slot of the oven body, place the Chimney Hat onto the chimney.



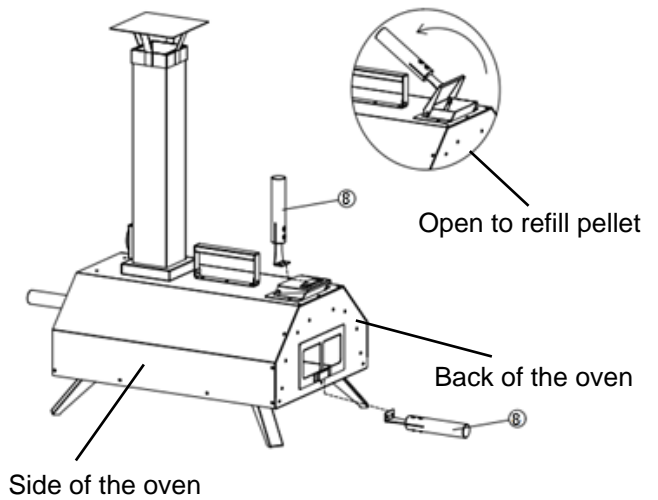
Put pizza stone into the oven, and close the door.

STEP 5



Put clapboard and pellet box into the oven and your oven is ready for use.

STEP 6



Please hold either handle (8) when refilling pellet.



To avoid burns, **DO NOT** stand at the back of the oven to refill the pellet, please stand on either side of the oven body to refill the fuel.

Lighting instructions

- 1) Put the pizza oven on a level surface and keep it away from areas likely to catch fire. The bottom of the pizza oven will get very hot, so ensure it stands on a suitable surface.
- 2) Make sure the door is closed, do not open it unless food needs to be put in or take out.
- 3) Take out the fire box, put 300g 100% natural hardwood pellets into the fire box.
- 4) Place the fire box onto a level and non-flammable surface. Ignite the pellets with an igniter or fire starter and wait for around 45-90 seconds to let the fire on.
- 5) Put the fuel box back into the pizza oven by handle, make sure the door is closed and let it keep burning for about 15 minutes.
- 6) Open the door carefully and put the food onto middle of pizza stone inside the combustion chamber, then close the door.

Cooking temperature recommendations (the temperature varies depending on the outside air temperature.)	
Oven temperature	Heating time
300°C / 572°F	about 15 minutes
400°C / 752°F	about 25 minutes

Limited Warranty

Dong Fang Jun Ma Trade Co., Ltd.(hereafter, DFJM) warrants that this Product shall be free from defects in workmanship and materials, for a period of 1 Year from the date of original purchase. Our obligation under this warranty shall be limited to replacement of parts during the warranty period. Our liability shall not extend beyond replacement of parts, This warranty excludes, normal wear & tear such as paint loss, discoloration and rust on the Product and its parts or components, and any damage arising from any of the following: negligent use or misuse of the Product, use contrary to this User's Manual, or alteration by any one other than DFJM. All warranty coverage is void if this grill is ever used for commercial or rental purposes; this warranty is valid only in the USA. The warranty period of 1 year shall not be extended or renewed by the repair or replacement of parts or compensation for the Product. If your Product is defective or otherwise requires service or parts, please call DFJM Customer Service toll-free at MONDAY TO FRIDAY, between 8:30 a.m. and 4:30 p.m. CST. Consumer is responsible for shipping, handling and processing of warranty claims after 30 days of purchase date. As proof of Purchase, a copy of your original purchase receipt must accompany any service request,

LIMITATION OF REMEDIES AND LIABILITY

We shall not be liable for any incidental or consequential damages for breach of any express or implied warranty on its Product. Except to the extent prohibited by applicable law, any implied warranty or merchantability or fitness for a particular purpose on this Product shall be limited to the duration of the above warranty. Neither us nor anyone else who has been involved in the creation, production, or delivery of the Product shall be liable for damages of any type, including but not limited to any lost profits, lost savings, loss of anticipated benefits, or other incidental or consequential damages which may arise out of the purchase, use, or inability to use the Product, whether arising out of contract, negligence, strict tort, or under any warranty, or otherwise, even if you have been advised of the possibility of such damage or any other claim by any other party. Our liability for any breach of warranty shall be limited to repair or replacement of the defective part or parts as described above. Some states do not allow the exclusion or limitation of incidental or consequential damages, so the above limitation or exclusion may not apply to you. The above warranty gives you specific legal rights, and you may have other rights which vary from state to state.

Thank you for purchasing this product! If you have questions about the assembly or operation of this product, are missing parts, or have defective parts, please e-mail us at:

customerservice@dongfangjm.com

Or, call us toll free (M-F 8:30am to 4:30pm Central Time) at:

1-866-273-2284

Manufactured by:
Dong Fang Jun Ma
MADE IN CHINA