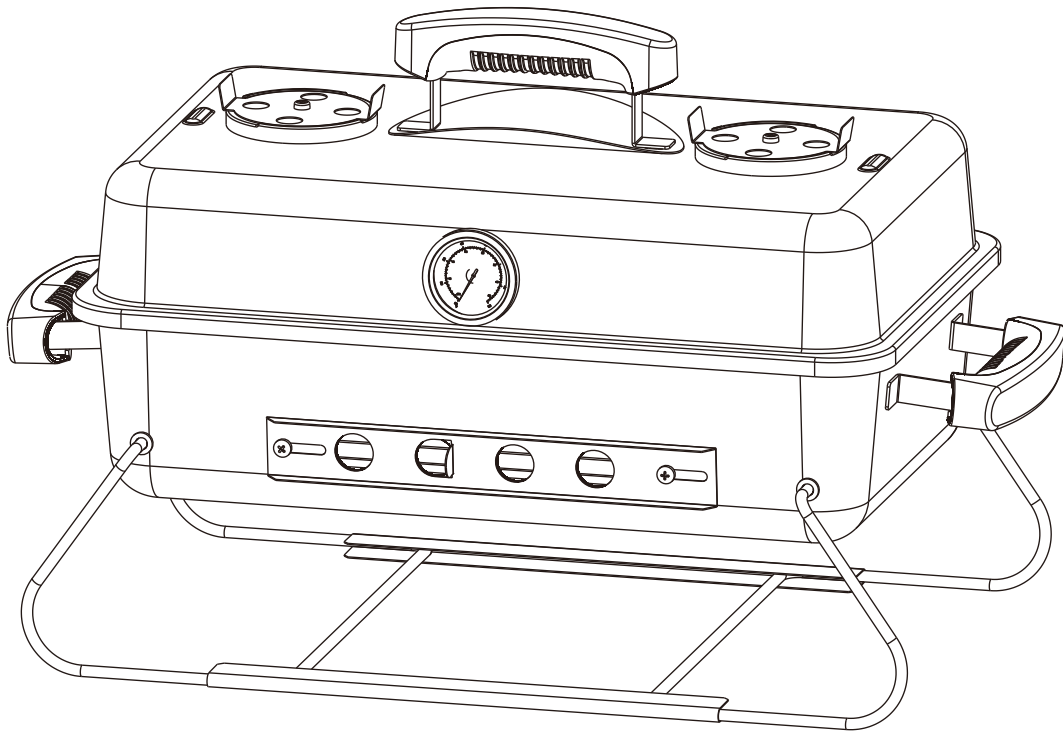




# Tabletop Charcoal Grill

## Owner's Manual

Model: WGT1714-2



### Assembly Required

The following common tools (not included) are required for assembly:

Phillips screwdriver, and an adjustable wrench, or pliers



**OUTDOOR USE ONLY! NEVER USE INDOORS!**



Read and follow **all** of these manufacturer instructions **before beginning assembly or operation**. Failure to do so could result in **fire, burns, or other serious personal injury**.



Keep this owner's manual for future reference. If you sell or give this product to someone else, **make sure this manual accompanies this product**.

# Contents

<b>Important Safety Information and Warnings .....</b>	<b>3</b>
<b>Carbon Monoxide Warning .....</b>	<b>3</b>
<b>California Proposition 65 Warning .....</b>	<b>3</b>
<b>Safe Grill Placement .....</b>	<b>3</b>
<b>Grill Preparation Safety .....</b>	<b>4</b>
<b>Charcoal Lighting Safety .....</b>	<b>4</b>
<b>Grill Use Safety .....</b>	<b>4</b>
<b>After Use Safety.....</b>	<b>5</b>
<b>Preparation .....</b>	<b>5</b>
<b>Parts List .....</b>	<b>6</b>
<b>Hardware List .....</b>	<b>6</b>
<b>Parts Diagram .....</b>	<b>7</b>
<b>Assembly .....</b>	<b>8</b>
<b>Care and Maintenance .....</b>	<b>10</b>
<b>Limited Warranty .....</b>	<b>11</b>
<b>Customer Service .....</b>	<b>11</b>

# IMPORTANT SAFETY INFORMATION!

## DANGER

### CARBON MONOXIDE HAZARD!

Burning charcoal releases **carbon monoxide**, a toxic odorless gas which **can cause serious injury or death**. **NEVER burn charcoal inside homes, inside vehicles, or inside any other enclosed areas!** If used indoors, **toxic fumes, including carbon monoxide**, will accumulate and cause **serious injury or death**.

**OUTDOOR USE ONLY!**

## WARNING

### CALIFORNIA PROPOSITION 65

- 1) Combustible by-products produced when using this product contain chemicals known to the State of California to cause cancer, birth defects, or other reproductive harm.
- 2) This product contains chemicals, including lead and lead compounds, known to the State of California to cause cancer, birth defects, or other reproductive harm.

**ALWAYS wash your hands after handling this product!**

## Safe Grill Placement

## WARNING

- This grill is for **OUTDOOR USE ONLY!** **NEVER** use this grill in an enclosed area or under an overhead cover of any kind, including a tent, patio cover, or any other building or structure.
- **DO NOT** use this grill **within 10 feet (3.05 meters)** of any **combustible material**, including, but not limited to, **bushes, trees, wood or treated-wood decks, fences, patios, porches, walls, vehicles, gasoline, lighter fluid, or any other flammable liquids**.
- **ONLY** use this grill on a **hard, level, non-combustible, stable surface** (e.g., concrete) that is able to support the weight of the grill. **NEVER** use on **wood or other combustible surfaces**.
- **NEVER** use this grill where **children or pets** could come into contact with the grill.
- **DO NOT** store or use grill near **gasoline** or other **flammable liquids, gases** or where **flammable vapors** may be present.
- **Avoid fire**. Keep a fire extinguisher nearby. Refer to your local authority to determine proper size and type of fire extinguisher.
- **For residential use only! NOT for commercial use! DO NOT** use this grill for other than its intended purpose. Any commercial use voids all warranties.

## Grill Preparation Safety

### **WARNING**

- **DO NOT** use this grill without the ash catcher (if available), ash pan, or ash tray in place.
- **DO NOT** use this grill unless **all parts are in working condition and properly installed**.
- **Use care** when lifting or moving this grill to prevent strains and back injuries.

## Charcoal Lighting Safety

### **WARNING**

- We recommend a **charcoal chimney starter** to avoid the dangers of charcoal starter fluid. **ALWAYS** read and follow the chimney starter manufacturer's instructions and warnings. **Failure to do so** could result in **serious injury**.
- If you use charcoal starter fluid, **ONLY** use starter fluid **approved for lighting charcoal**.
- **NEVER** use **gasoline, alcohol, kerosene, or any other highly flammable liquid**. Use of any of these or similar products could cause an explosion possibly leading to severe bodily injury.
- **Carefully read the charcoal and starter fluid manufacturer's warnings and instructions before using this grill**. **Failure to do so** could result in **serious injury**.
- **ALWAYS** clean up any **starter fluid spills** before lighting charcoal.
- **ALWAYS** allow charcoal starter fluid to **completely burn off prior to closing the grill lid** (approximately 20 minutes). Failure to do so could **trap fumes in the grill** and might result in a **flash fire or explosion** when the lid is opened.
- **NEVER** add charcoal starter fluid to hot or warm coals! **Flare up** could occur and cause burns.
- **ALWAYS** store charcoal starter fluid **safely away** from grill. **DO NOT** store starter fluid or other flammable liquids or materials under the grill.

## Grill Use Safety

### **WARNING**

- **DO NOT** use the grill in **windy conditions**.
- **NEVER** leave a **hot grill unattended**.
- **Grill is hot when in use**. To avoid burns:
  - **DO NOT** attempt to move the grill while **lit** or still **hot**.
  - **ALWAYS** wear **protective gloves** or **oven mitts**.
  - **DO NOT TOUCH** any hot grill surfaces.
- **DO NOT** wear loose clothing or allow hair to come in contact with grill.
- **NEVER** add pre-soaked charcoal to hot or warm coals or ashes! **Dangerous** or **explosive flare ups** could occur and result in bodily harm.
- **USE EXTREME CAUTION** when **adding charcoal and/or wood** to the grill **while cooking**, as

charcoal is **still hot** and **can cause burns**.

- **AVOID INJURY! ALWAYS** wear **oven mitts or grilling gloves** when lifting the lid, adjusting the grates, or in any other way touching the grill **while it is hot**.
- **Lids** are heavy, and will be **very hot during** and **after use**.
  - Removable lid: **NEVER** set **hot lid** on grass, furniture, deck or combustible materials.
  - Hinged lid: **ALWAYS open lid completely** and **secure** to prevent unexpected closing.
- Some grills have shelves. **NEVER** place more than 8 pounds (3.6 kg) on any shelf (if equipped). **DO NOT lean** on any shelf. **ALWAYS** make sure shelves are **attached securely** to the grill.
- **NEVER** raise or lower the charcoal grate when smoking with water as **hot water may splash onto the coals** creating a **burst of steam and hot ash**.
- When grilling, **grease** from food may drip onto the charcoal and cause a **grease fire**. If this happens, close the lid to suffocate the flame. **NEVER use water to extinguish grease fires!**
- Keep hands, face, and body a **safe distance from the grill** when opening the lid. **Flare ups may occur** when flames or hot coals encounter increased airflow.
- **NEVER** try to remove the ash catcher **while coals are hot**. Doing so could **cause burns**.

## After Use Safety

### **WARNING**

- **ALWAYS** allow grill and all components to **cool completely before handling**.
- **DO NOT remove ashes or used coals** from the grill until they are fully extinguished.
- To extinguish charcoal, **close all vents** and **place lid on grill** until coals are completely out.
- **NEVER leave coals and ash unattended in the grill**. All extinguished coals and ash must be removed and carefully placed in a non-combustible metal container. **Saturate coals and ash with water** and allow them to remain in the metal container for **24 hours** before disposing.
- Keep extinguished coals and ash safely away from **combustible structures and materials**.
- Spray or douse the surfaces under and around the grill with water until completely wet to **extinguish any ashes, coals, or embers** that may have fallen during grilling or cleaning.
- Store the grill in a dry location **out of reach of children and pets** when not in use.

## Preparation


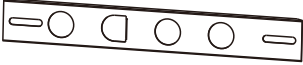
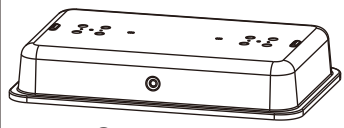
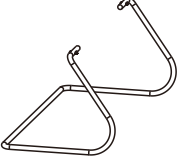


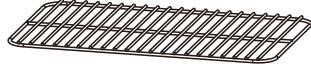

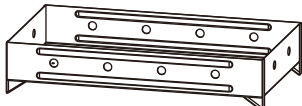

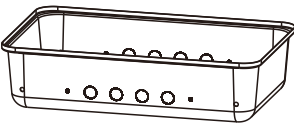

Remove all parts and hardware from the carton and place them on a clean soft surface.

Compare the contents with the parts list and hardware list to make sure nothing is missing.






Dispose of all packaging materials properly.

Please recycle whenever possible.

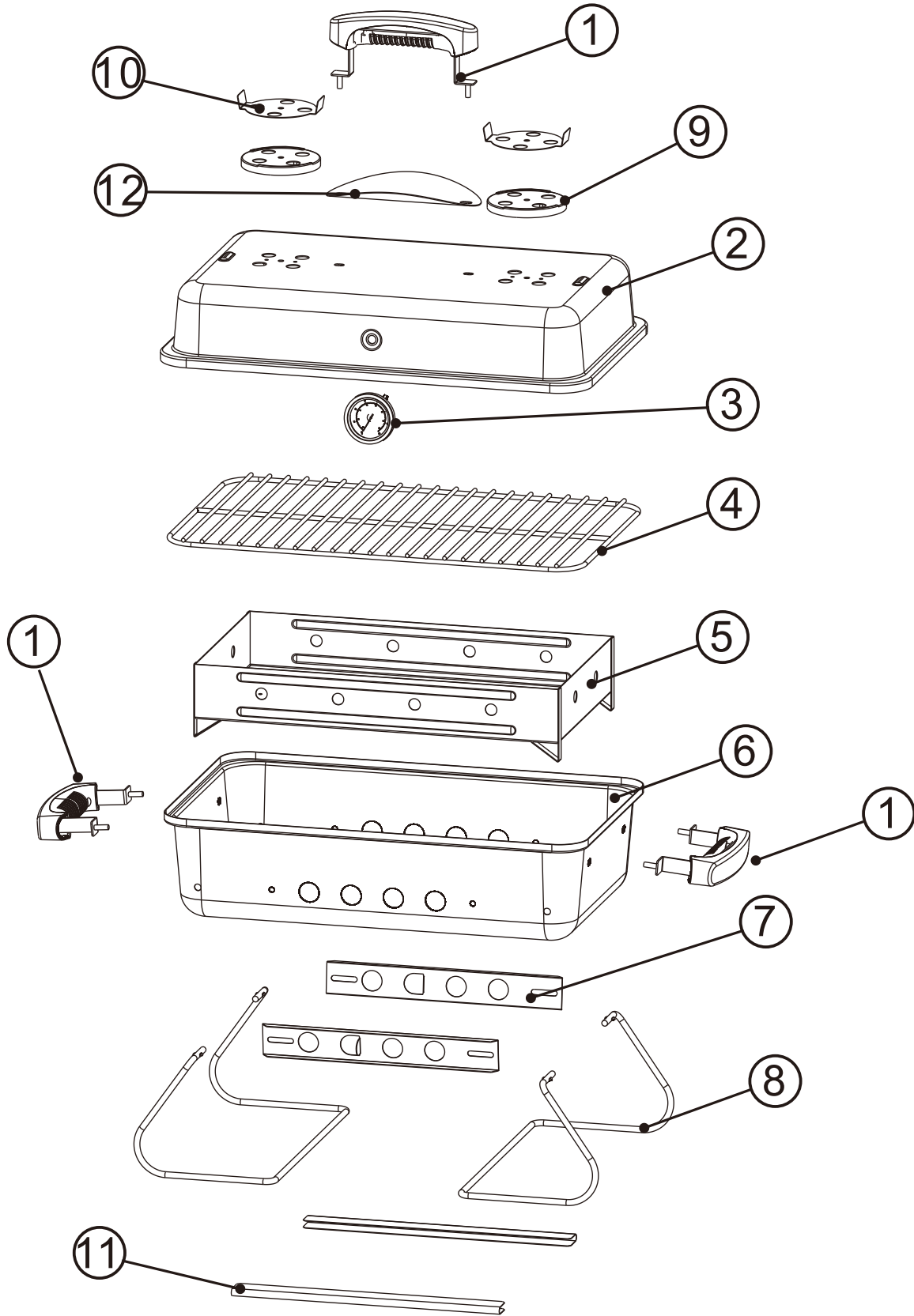
# Parts List

1	 Handle	3pcs	7	 Air vent on fire bowl	2pcs
2	 Grill lid	1pc	8	 Legs	2pcs
3	 Thermometer	1pc	9	 Air vent bottom	2pcs
4	 Cooking grid	1pc	10	 Air vent cap	2pcs
5	 Charcoal tray	1pc	11	 Leg support	2pcs
6	 Fire bowl	1pc	12	 Lid handle base	1pc

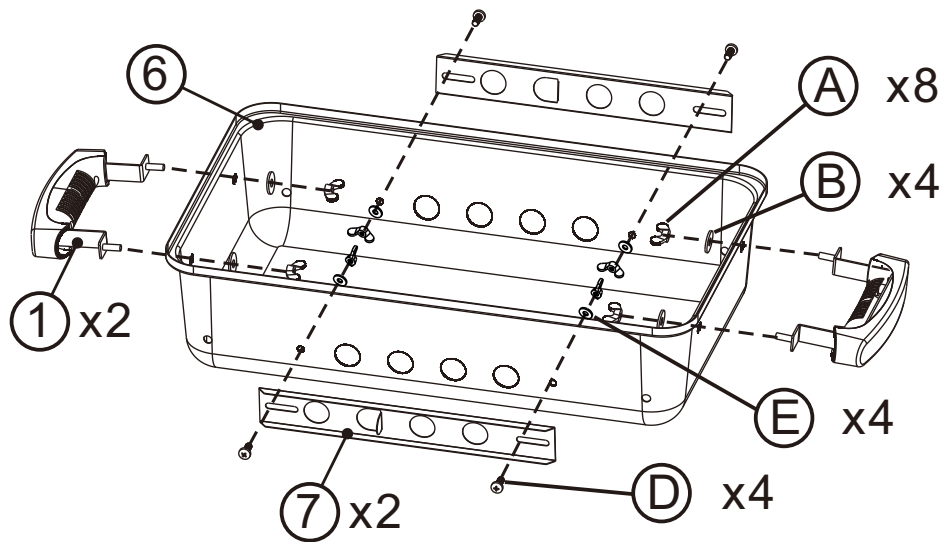
# Hardware List

A	Wing nut M5		12pcs
B	Washer $\varnothing$ 6x16mm		10pcs
C	Screw M5x16mm		2pcs
D	Screw M5x12mm		4pcs
E	Washer $\varnothing$ 5x12mm		6pcs

# Parts Diagram

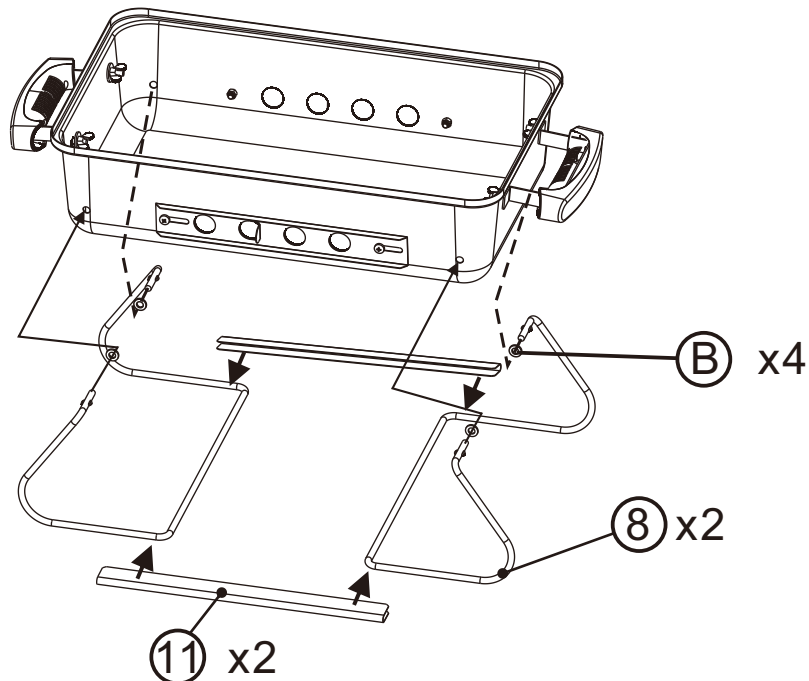


# Assembly



## STEP 1

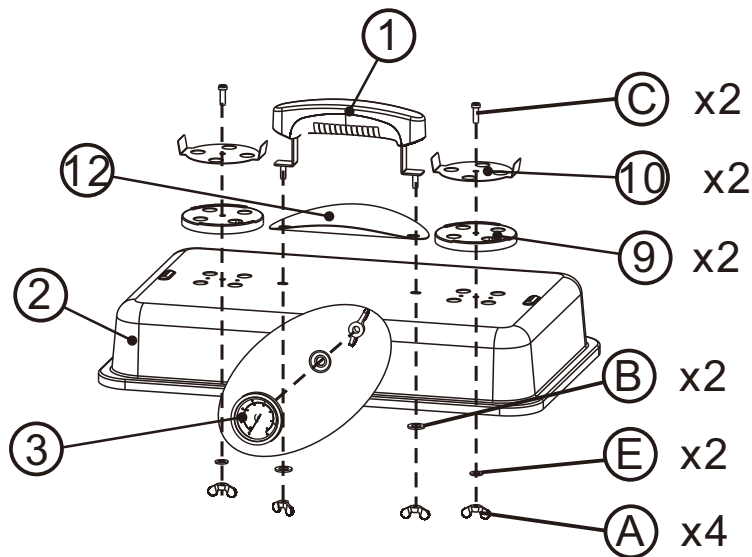
Attach both handles (1) to Fire bowl (6) with Wing nut M5 (A) and Washer 6x16 (B). Attach Fire bowl air vent (7) with Screw M5x12 (D) to both sides of Fire bowl (6), and secure the screws with Washer 5x12 (E) and Wing nut M5 (A).



## STEP 2

Attach Washer 6x16 (B) to the ends of two Legs (8) and secure them to the Fire bowl (6). Attach 2 pieces of Leg support (11) by clicking them to the legs.



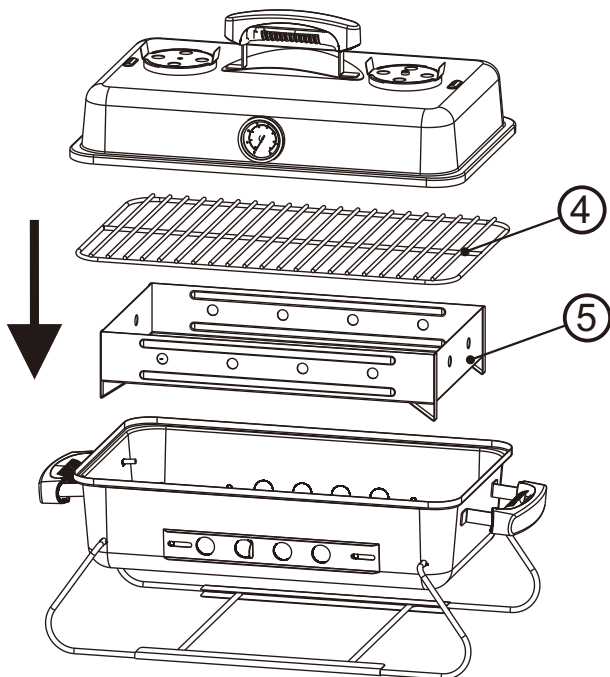


### STEP 3

Attach Air vent bottom (9) to Grill lid (2) first, then Air vent cap (10) and secure them with screw M5x16 (C), Washer 5x12 (E) and Wing nut M5 (A).

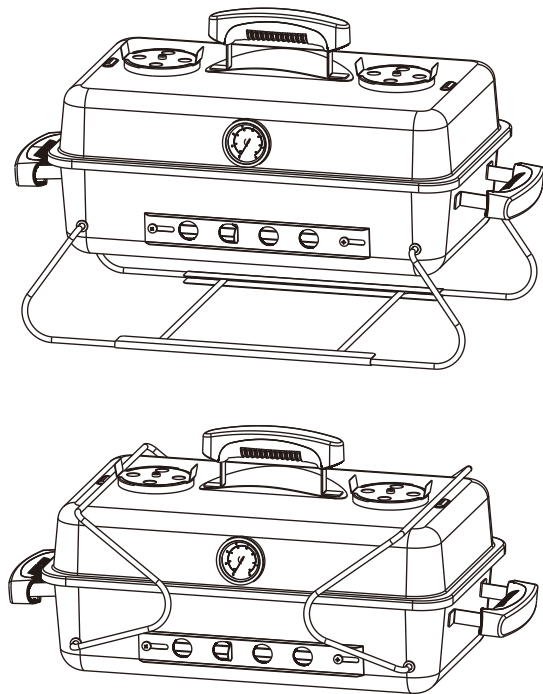
Attach Lid handle base (12) as shown in the illustration, then install the Handle (1) on top of it and secure them with Wing nut (A).

Install Thermometer (3) by using the pre-assembled nuts.



### STEP 4

Assemble the Cooking grid (4) and Charcoal tray (5) as shown.



Your grill is ready for use now.

## Care and Maintenance

- Wash cooking grids and charcoal grates with hot, soapy water. Rinse well and dry completely with a towel. NEVER allow grates to drip dry, or dry in a dishwasher. They will rust.
- After washing and drying, lightly coat grates and grids with vegetable oil or vegetable oil spray.
- Clean the inside and outside of the grill by wiping it with a damp cloth. Apply a light coat of vegetable oil or vegetable oil spray to the interior surfaces to prevent rusting.
- If rust appears on the **outside** of your grill, clean and buff the affected area with steel wool or fine grit emery cloth. Touch up spots with a good quality **high-temperature-resistant** paint.



**NEVER apply paint to the interior surface.** Doing so could cause a **fire** resulting in **serious bodily harm** or **property damage**.

- If rust appears on the **interior** surface of your grill, clean and buff the affected area with steel wool or fine grit emery cloth. Coat the interior lightly with vegetable oil or vegetable oil spray.

## Limited Warranty

Dong Fang Jun Ma Trade Co., Ltd.(hereafter, DFJM) warrants that this Product shall be free from defects in workmanship and materials, for a period of 1 Year from the date of original purchase. Our obligation under this warranty shall be limited to replacement of parts during the warranty period. Our liability shall not extend beyond replacement of parts, This warranty excludes, normal wear & tear such as paint loss, discoloration and rust on the Product and its parts or components, and any damage arising from any of the following: negligent use or misuse of the Product, use contrary to this User's Manual, or alteration by any one other than DFJM. All warranty coverage is void if this grill is ever used for commercial or rental purposes; this warranty is valid only in the USA. The warranty period of 1 year shall not be extended or renewed by the repair or replacement of parts or compensation for the Product. If your Product is defective or otherwise requires service or parts, please call DFJM Customer Service toll-free at MONDAY TO FRIDAY, between 8:30 a.m. and 4:30 p.m. CST. Consumer is responsible for shipping, handling and processing of warranty claims after 30 days of purchase date. As proof of Purchase, a copy of your original purchase receipt must accompany any service request,

### LIMITATION OF REMEDIES AND LIABILITY

We shall not be liable for any incidental or consequential damages for breach of any express or implied warranty on its Product. Except to the extent prohibited by applicable law, any implied warranty or merchantability or fitness for a particular purpose on this Product shall be limited to the duration of the above warranty. Neither us nor anyone else who has been involved in the creation, production, or delivery of the Product shall be liable for damages of any type, including but not limited to any lost profits, lost savings, loss of anticipated benefits, or other incidental or consequential damages which may arise out of the purchase, use, or inability to use the Product, whether arising out of contract, negligence, strict tort, or under any warranty, or otherwise, even if you have been advised of the possibility of such damage or any other claim by any other party. Our liability for any breach of warranty shall be limited to repair or replacement of the defective part or parts as described above. Some states do not allow the exclusion or limitation of incidental or consequential damages, so the above limitation or exclusion may not apply to you. The above warranty gives you specific legal rights, and you may have other rights which vary from state to state.

Thank you for purchasing this product! If you have questions about the assembly or operation of this product, are missing parts, or have defective parts, please e-mail us at:

**[customerservice@dongfangjm.com](mailto:customerservice@dongfangjm.com)**

Or, call us toll free (M-F 8:30am to 4:30pm Central Time) at:

**1-866-273-2284**

Manufactured by:  
Dong Fang Jun Ma  
**MADE IN CHINA**