

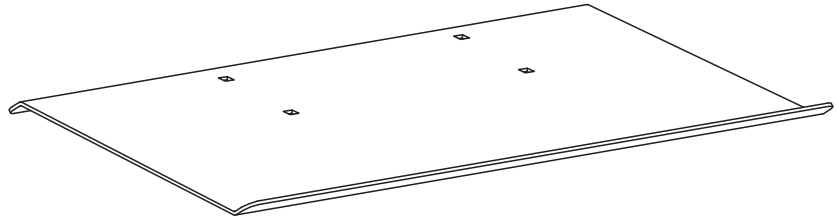


# 34" Log Table

## Operator's Manual

Model #	YUS850
Length	34"
Width	12.5"
Weight	14.5 lbs

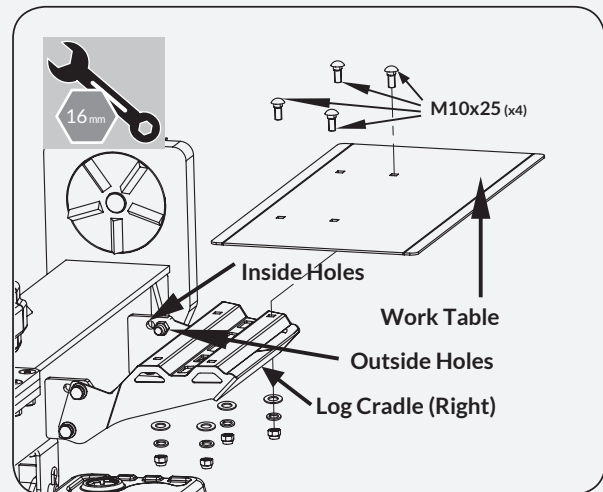
For use on all Full Beam Yardmax Log Splitters



### LOG TABLE ASSEMBLY

Refer to **Figures 10** and **11** to install the work table. Remove the bolts, flat washers, and nuts from the inside holes. Move the log cradle from the incline position to the horizontal position. Align the holes on the log cradle with the outside holes on the beam mount. Reinstall the bolts, flat washers, and nuts.

Place the work table over the holes in the log cradle and align the 4 holes from the work table plate and log cradle. Insert and tighten the M10x25 bolts, spring washers, flat washers, and nuts.



**Figure 11**



M10 X 25

X 4

**8**

*Tame the Great Outdoors®*

