

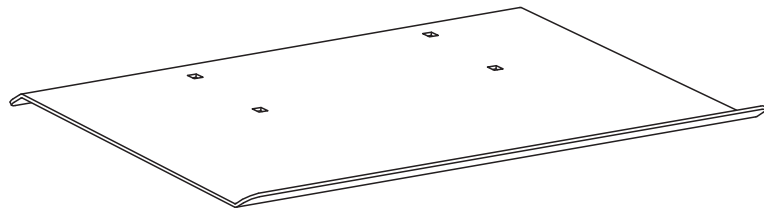


# 24" Log Table

## Operator's Manual

Model #	YSS610
Length	24"
Width	12.5"
Weight	10.5 lbs

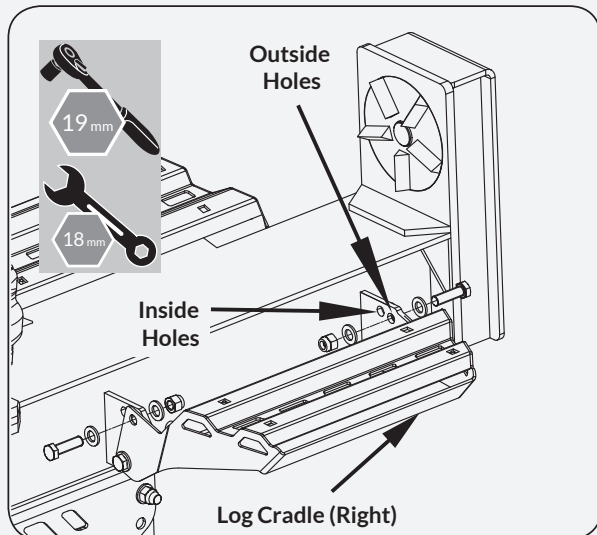
For use on all Half Beam Yardmax Log Splitters



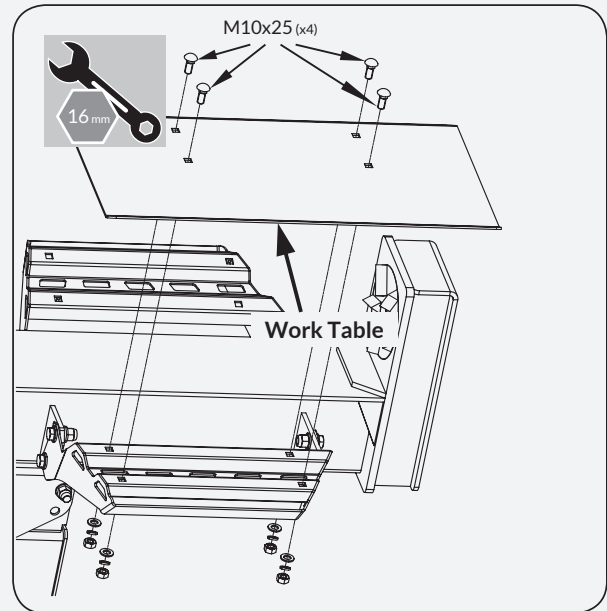
### LOG TABLE ASSEMBLY

Refer to **Figures 15a** and **15b** to install the work table. Remove the bolts, flat washers, and nuts from the inside holes. Move the log cradle from the incline position to the horizontal position. Align holes on the log cradle with the outside holes on the beam mount. Reinstall bolts, flat washers, and nuts.

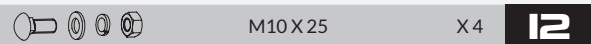
Place the work table over the holes in the log cradle and align the 4 holes from the work table plate and log cradle. Insert and tighten the M10x25 bolts, spring washers, flat washers, and nuts.



**Figure 15a**



**Figure 15b**



*Tame the Great Outdoors®*

