

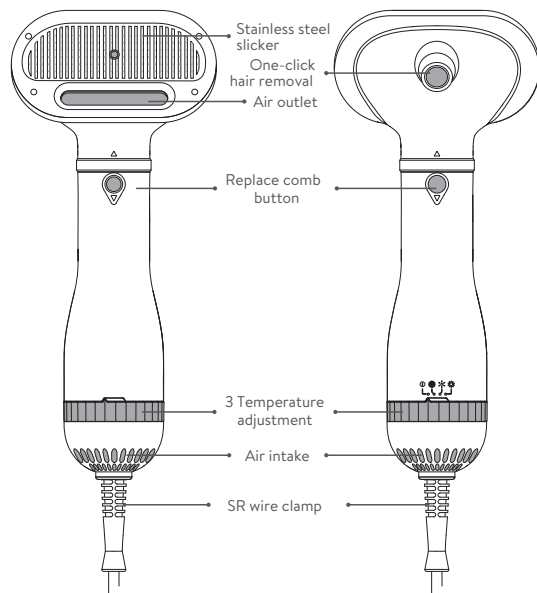
PET GROOMING DRYER

COMPONENTS:

- Stainless Steel Slicker Brush
- Air outlet
- Brush head release buttons
- Debris release button
- Air Intake filter
- SR wire clamp
- Power Cord

SPECIFICATIONS:

- Input: AC100~120V
- Power: 300W
- Frequency: 50Hz
- Cable length: 2m



WARNING:

- Pet parents understand the temperament and behavior of their animal best. The use of this grooming tool is at your own risk.
- Children are prohibited from using or cleaning grooming dryer appliance.
- This grooming dryer is intended for pet hair grooming purposes only. Not for use on humans.
- Keep away from water. Use caution when using tool when in close proximity to water. Water entering a power tool will increase the risk of electric shock.
- To reduce the risk of electrical shock, do not put cord or charging base in water or other liquid. Do not place or store appliance where it can fall or be pulled into a tub or sink.
- Keep cord away from heated surfaces.

Appliance has 3 Air/Heat settings:

1. Off / Cool
2. Low Heat/Speed (122°F / 50°C)
3. High heat/Speed (140°F / 60°C)

Adjust the airflow according to your need. The airflow temperatures may vary under different environment temperature.

ATTENTION:

Read this manual carefully before you use the appliance and keep it for future reference.

1. Before you connect the appliance ensure that the voltage indicated on the appliance corresponds to the local power voltage.
2. Do not use this appliance near bathtubs, showers, basins or other vessels containing water.
3. Do not use the appliance under damp conditions. Keep it in a dry place.
4. Always make sure your appliance is not wet (water splashes) and never handle it with wet hands.
5. Never move the appliance by pulling the cord. Do not wind the cord around the appliance and do not bend it.
6. Do not keep drying in the same area to avoid scalding injury.
7. Make sure the hair does not come into direct contact with the air intake opening.
8. The dust filter in the air intake opening prevents the hair from being sucked in. Without proper cleaning, the airflow will decrease progressively and the appliance may get damaged.
9. The appliance has auto power shut-off function. If the temperature is too high, the safety monitor inside will stop the appliance immediately. The appliance will restart after it cools down in a few minutes.
10. Check the cord for damages. Never use the appliance if cord or any part shows any signs of damage. If the cord is damaged, it must be replaced by a qualified electrician.
11. Before cleaning, always unplug the appliance.
12. Children are prohibited from using the appliance.
13. Do not use this appliance near corrosive or explosive gas and other hazardous environments.
14. This appliance cannot be used as a medical or industrial device.
15. Please unplug the power immediately if the appliance is not working properly.
16. For indoor use only. Keep it in a cool dry place free of dust.
17. Warning – Please keep the appliance dry.



Do not use this appliance near bathtubs, showers or other vessels containing water. Please do not use it for any purpose other than described in this manual.

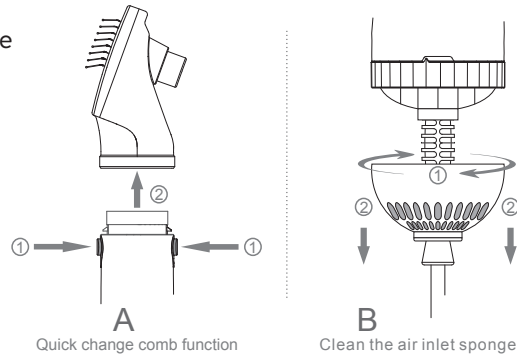
USING THIS PRODUCT:

- First, dry off your pet with a dry towel. This will shorten the drying time significantly and improve the grooming speed.
- To make sure your animal is comfortable, first try product without power. If you see any signs of distress, stop use.

(continued on next page)

USING THIS PRODUCT: *(continued)*

1. Please comfort your pets before using the appliance, let them sniff the appliance while it is turned off.
2. Make sure you are in a comfortable setting for your dog.
3. Select power setting.
4. Brush in a continuous motion; never hold the dryer in one spot to avoid discomfort or injury for your dog.
5. When finished drying, press easy hair release button on the back of the dryer head and discard debris.
6. To replace the brush head, press both release buttons under the brush head attached and gently pull upwards to detach.



TROUBLESHOOTING:

1. The appliance has auto power shut-off function. If the temperature is too high, the safety monitor inside will stop the appliance immediately. Check if there is anything blocking the air intake located under the brush pins and above the debris release button.
2. If the appliance does not work at all:
 - a. Check to see if the power socket you are using is live.
 - b. Check to see if the power cord is damaged in any way.
3. Do not repair or disassemble the product by yourself.

CLEANING AND CARE:

1. Unplug the appliance and wait until it cools down before cleaning.
2. Make sure the air intake and outlet grills are free of dust or any other objects.
3. Clean the appliance with a lightly dampened cloth.
4. Do not wind the power cord around the appliance.

STORAGE:

1. Put the appliance in a safe dry place.
2. Keep it out of the reach of children.



ENVIRONMENT:

Do not dispose of this product with general household wastes.
To prevent possible harm to the environment and human health from uncontrolled waste disposal, recycle it responsibly.



MADE IN CHINA

PROBLEMS OR QUESTIONS?

Email us at consumerservice@pennplax.com, visit us at www.penn-plax.com/customerservice or call **866-625-2385** (US & Canada Only)

© 2020 PENN-PLAX, INC., 35 MARCUS BLVD., HAUPPAUGE, NY 11788 USA

PRINTED IN CHINA 2008-GC KW

DOGGR7-INSTRUCTIONS.ai



PRODUCT MANUAL

