

# TABLE OF CONTENTS

## TOWING

Weight Distribution Hitches .....	3-5
Weight Distribution Shanks .....	6
Trailer Fenders .....	7
5th Wheel Hitches .....	8-12
5th Wheel Brackets .....	13-14
Gooseneck Hitches .....	15-16
Receiver Hitches .....	17-25
Hitch Balls.....	26
Ball Mounts.....	27-28
Couplers.....	29
Hitch Accessories .....	30
Bike Racks .....	31
Cargo Carriers.....	32-33
Coolers.....	34-35
Electric Jacks.....	36-37
Manual Jacks.....	38
Stabilizers.....	39
Electrical Wiring .....	40-49
Brake Controls .....	50-52
Brake Assemblies .....	52-55
Brake & Axle Replacement Parts.....	56-64
Idler Hubs.....	65

## POWER & LIGHTING

Surge Protectors .....	67
Adapters .....	68-70
Extension Cords .....	71
Battery Boxes .....	72
Generator Adapters .....	72
Fixture Lighting .....	73-75
Replacement Bulbs.....	76-79

## FRESHWATER

Water Pumps .....	81
Water Hoses .....	82
Washdown Hose Kit .....	82
RV Starter Kits.....	82
Fresh Water Accessories .....	83

## SANITATION

Waste Water Transporter Tanks .....	85
Sewer Hose Kits .....	86-87
Sewer Hose Supports.....	87
Sewer Hoses .....	88
Sewer Hose Fittings .....	89

## VENTILATION

Fan Blades.....	91
Vent Covers .....	91
Vent Insulator .....	91
Vent Lids.....	92-93
Insect Screens .....	94-97

## OUTDOOR LIVING

Novelty Lighting .....	99
Door Push Bar.....	100
Table Leg Bases .....	100
Multi-Purpose Mats.....	101-103
Folding Chairs .....	104-105
Grills.....	106
Portable Kitchen .....	106
Folding Cooler .....	106
Picnic Tables .....	107
Collapsible Utility Container .....	107

## MERCHANDISING

Hitch Displays .....	109
Towing Planograms .....	110-114
Electrical Planograms .....	115-117
Freshwater Planogram .....	118
Ventmate Products Planogram .....	119
Sanitation Planograms.....	120-121
Cooler Planogram .....	122
Countertop Displays .....	123

# TOWING



## WEIGHT DISTRIBUTION HITCHES



# CENTER LINE<sup>®</sup> FS



TOWING

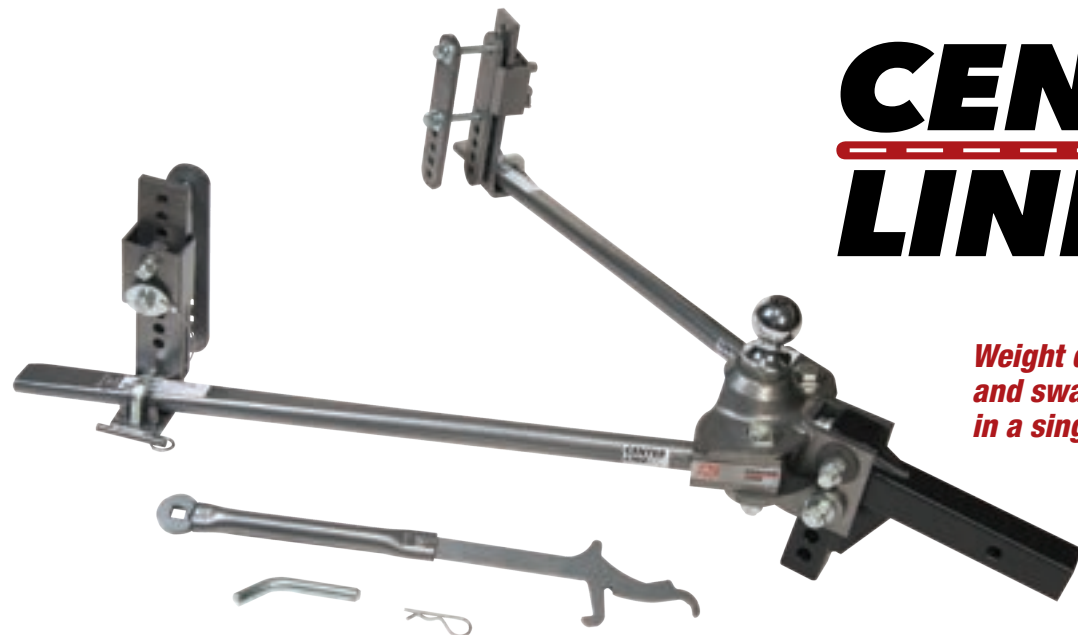
### CENTER LINE<sup>®</sup> FS

The Center Line Friction Sway 2-Point Weight Distribution System provides effective 2-point sway control with fewer components and faster installation time. A pair of spring bars are connected to the trailer frame using heavy-duty, adjustable support brackets that hold the spring bars in place laterally and vertically. Engagement pins create extra security and friction which allows the CLFS to deliver a smooth, safe ride, and prevents the trailer from traveling side to side. In addition to the integrated sway control, the CLFS features a pin-style locking system for the round bars and a new pre-set head that eliminates the use of washers for adjustment. Center Line hitches also come with the shank and the trailer ball pre-attached and pre-torqued, something not offered by other brands. A durable, powder-coated finish ensures the highest level of corrosion resistance for years of worry-free use.

### 2-POINT WEIGHT DISTRIBUTING HITCH SYSTEM

- Combines weight distribution and sway control in a single unit – no need for additional hardware
- Universal EZ adjust frame brackets for easy installation and adjustment
- Provides sway control, superior performance, and value
- Forged and hardened steel components deliver excellent long-term durability and service
- Hitch ball is factory pre-installed and properly torqued
- Lighter weight than competing products
- Handle can be used to connect and remove bars
- Limited lifetime warranty

PART #	TONGUE WEIGHT RANGE	HITCH BALL SIZE	GROSS TRAILER WEIGHT
33310	400-600 lb	2-5/16" Ball	Up to 6,000 lb
33311	600-800 lb	2-5/16" Ball	Up to 8,000 lb
33312	800-1,200 lb	2-5/16" Ball	Up to 12,000 lb



# CENTER LINE<sup>®</sup> TS

*Weight distribution and sway control in a single unit!*

## CENTER LINE<sup>®</sup> TS

Combines weight distribution and sway control in a single unit without additional hardware. Hitch ball is factory installed and tightened to the correct torque specifications. Includes universal frame brackets for easy installation and adjustment. Each kit contains everything necessary to install this hitch – no separate components!

### WEIGHT DISTRIBUTION AND SWAY CONTROL ENGINEERED TO PERFORM!

- The Center Line TS top plate is forged 1035 steel; Forged 1035 produces a much stronger hitch with excellent fatigue properties
- The trunnions are heat treated, hardened alloy steel which ensures exceptional strength and wear properties
- Tapered spring bars deliver a superior fit and appearance; Superior fit delivers superior sway control
- Combines weight distribution and sway control in a single unit
- Universal EZ Adjust frame brackets for easy installation and adjustment
- Exacting tolerances in spring bar, head and lift brackets: The Center Line TS reacts to trailer sway conditions earlier than competing products & delivers a smoother, quieter ride
- Forged and hardened steel components deliver excellent long-term durability and service
- Hitch ball is factory pre-installed and properly torqued
- Significantly lighter weight than competing products
- Handle can be used to hook up and remove bars
- Frame brackets work with 4" - 8" tall frames
- No need for additional hardware
- Outstanding performance – drive it and see!

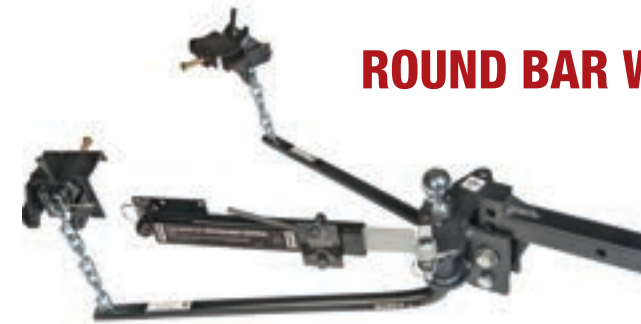
### Replacement Parts:

- 32337 CLTS WD "L" pins with lanyard
- 32334 CLTS WD hitch replacement lift handle
- 33120 Replacement mounting bracket and hardware
- 32335 Spring bar retaining pin 400-1200 kits
- 33052 Spring bar retaining pin 1400 kits
- 33053 8,000 lb 2" ball

PART #	TONGUE WEIGHT RANGE	HITCH BALL SIZE	GROSS TRAILER WEIGHT
32215	400-600 lb	2" Ball	Up to 6,000 lb
32216	400-600 lb	2-5/16" Ball	Up to 6,000 lb
32217	600-800 lb	2-5/16" Ball	Up to 8,000 lb
32218	800-1200 lb	2-5/16" Ball	Up to 12,000 lb
33092	800-1200 lb	2-5/16" Ball w/o Shank*	Up to 12,000 lb
33039	1000-1400 lb	2-5/16" Ball	Up to 14,000 lb

\*Alternate shank sizes available for taller vehicles

## ROUND BAR WEIGHT DISTRIBUTION



### ROUND BAR HITCHES

Features a bolt-together ball mount / 10" shank assembly for 2" applications, dual sway control platform for greater coupler clearance, chains and assembly hardware. 8" height adjustment. (rise: 6-1/4"; drop: 1-3/4"). 1-1/4" hole-on-head assembly requires 1-1/4" shank on hitch ball. \*2-1/2" x 2" shank. Balls not included.

### ROUND BAR KITS

Ready for safe towing right out of the box!

Comes with the same features as the Round Bar Weight Distribution Hitches, PLUS a dual friction, sway control system that diminishes sway from windy conditions and passing vehicles, and a pre-assembled and torqued hitch ball and sway control ball.

PART #	TONGUE WEIGHT RANGE	GROSS TRAILER WEIGHT	PRE-TORQUED BALL	INCLUDES SWAY CONTROL	INCLUDES 2"x2" SHANK
<b>ROUND BAR WEIGHT DISTRIBUTION HITCHES</b>					
31421	400-600 lb	6,000 lb	NO	NO	YES
31422	500-800 lb	8,000 lb	NO	NO	YES
31423	800-1,200 lb	12,000 lb	NO	NO	YES
31425	1,000-1,400 lb	14,000 lb	NO	NO	YES
<b>ROUND BAR WEIGHT DISTRIBUTION KITS</b>					
31995	400-600 lb	6,000 lb	2"	YES	YES
31986	400-600 lb	6,000 lb	2-5/16"	YES	YES
31997	500-800 lb	8,000 lb	2-5/16"	YES	YES
30849	800-1,200 lb	12,000 lb	2-5/16"	YES	YES
33093	800-1,200 lb	12,000 lb	2-5/16"	YES	NO

- Replacement Parts:** 31527 Spring bar retainer pack  
31524 Round bar lift handle

## TRUNNION BAR WEIGHT DISTRIBUTION



### TRUNNION BAR HITCHES

Features a bolt-together hitch head and 10" shank assembly, raised ball platform for greater coupler clearance and turning radius and a built-in dual sway control platform. Fits all Class III / IV 2" receivers. 8" of height adjustment (rise: 7-1/2"; drop: 1"). 1-1/4" hole-on-head assembly. Requires 1-1/4" shank on hitch ball. Balls not included. Limited lifetime warranty.

PART #	TONGUE WEIGHT RANGE	GROSS TRAILER WEIGHT	PRE-TORQUED BALL	INCLUDES SWAY CONTROL	INCLUDES 2"x2" SHANK
<b>TRUNNION BAR WEIGHT DISTRIBUTION HITCHES</b>					
31331	500-800 lb	8,000 lb	NO	NO	YES
31335	800-1,200 lb	12,000 lb	NO	NO	YES

## SWAY CONTROL KITS AND COMPONENTS

Diminishes lateral trailer movement in windy conditions and from passing vehicles. Dual friction brake pad system provides constant and adjustable sway reduction. Detaches quickly for storage. Secures with socket & spring clip connectors. Select from a complete left or right kit or build your own kit. **Note:** For trailers 24' and longer, the use of both right hand and left hand sway controls is recommended.

### \*COMPLETE KIT:

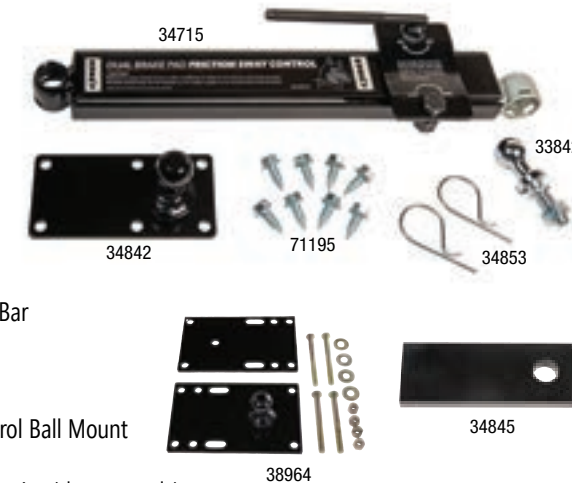
- 34715 Right Hand Kit
- 37498 Left Hand Kit

\*Complete Sway Control Kits include Right or Left Sidebar, Sway Control Ball, Spring Clips, Sway Control Ball and Screws

### REPLACEMENT PARTS:

- 33842 Sway Control Ball
- 34853 Spring Clip
- 34845 Weld-on Ball Mount Bar
- 34846 Slide Bar
- 34847 Crank Handle
- 34842 Tongue Ball Plate
- \*\*38964 Clamp-on Sway Control Ball Mount
- 71195 Screws, 8/pkg

\*\*38964 is an alternate mounting option (clamp on style)



### SWAY CONTROL BALL MOUNT ADAPTER

- Fits most standard 2" Class III/IV ball mounts
- Easy bolt-on installation
- Can be installed on right or left side
- Durable black powder coat finish
- Works with most sway controls

- 39585 Sway Control Ball Mount Adapter



**WEIGHT DISTRIBUTION HITCH SHANKS**

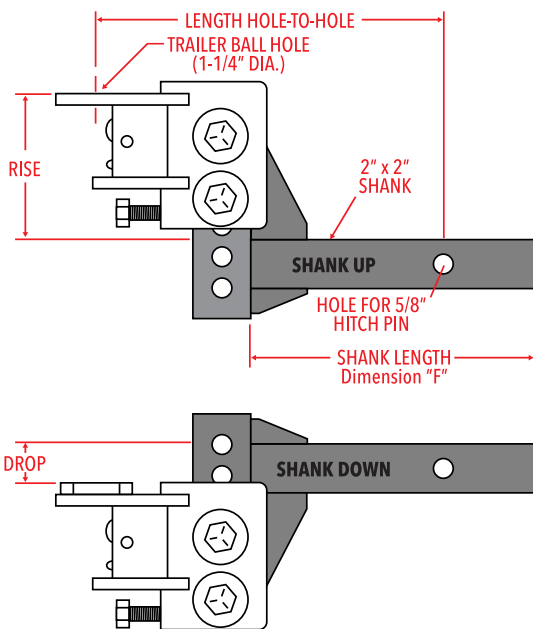
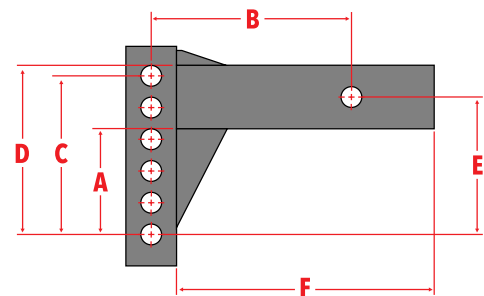
Slides into your receiver and provides the attachment point for your weight distribution.



PART#	DIMENSION A	DIMENSION B	DIMENSION C	DIMENSION D	DIMENSION E	DIMENSION F
<b>2" x 2" WELDED SHANKS</b>						
31518	4-1/4"	7-3/4"	6-1/4"	6-1/4"	5-1/4"	10"
30857	7-1/2"	7-3/4"	6-1/4"	9-1/2"	8-1/2"	10"
30859	11-1/4"	9-3/4"	5"		12-1/4"	12"
30856	4-1/4"	11-3/4"	6-1/4"	6-1/4"	5-1/4"	14"
30858	7-1/2"	11-3/4"	6-1/4"	9-1/2"	8-1/2"	14"
<b>2.5" x 2" WELDED SHANKS</b>						
32459	4-1/4"	7-3/4"	6-1/4"	6-3/4"	5-1/2"	10"
32554	7-1/2"	7-3/4"	6-1/4"	10"	8-3/4"	10"
32550	11-1/4"	9-3/4"	6-1/4"		12-1/2"	12"
32553	4-1/4"	11-3/4"	6-1/4"	6-3/4"	5-1/2"	14"
32555	7-1/2"	11-3/4"	6-1/4"	10"	8-3/4"	14"

**Note:** Weight carrying capacity of shanks listed above is 6,000 lb maximum and weight distribution is 14,000 lb maximum.

**SHANK USAGE**



PART#	TYPE	SHANK LENGTH	RISE	DROP	HOLE TO HOLE LENGTH
<b>ROUND BAR WEIGHT DISTRIBUTION</b>					
31518	2x2 W	10"	6-1/4"	1-3/4"	12-1/8"
30857	2x2 W	10"	9-1/2"	5"	12-1/8"
30859	2x2 W	12"		8-3/4"	14-1/8"
30856	2x2 W	14"	6-1/4"	1-3/4"	16-1/8"
30858	2x2 W	14"	9-1/2"	5"	16-1/8"
32459	2.5x2 W	10"	6-1/4"	2-1/4"	12-1/8"
32554	2.5x2 W	10"	9-1/2"	5-1/2"	12-1/8"
32550	2.5x2 W	12"		9-1/4"	14-1/8"
32553	2.5x2 W	14"	6-1/4"	2-1/4"	16-1/8"
32555	2.5x2 W	14"	9-1/2"	5-1/2"	16-1/8"
<b>TRUNNION BAR WEIGHT DISTRIBUTION</b>					
31518	2x2 W	10"	7-1/2"	1"	12-3/8"
30857	2x2 W	10"	10-3/4"	3-3/4"	12-3/8"
30859	2x2 W	12"		7-1/2"	14-3/8"
30856	2x2 W	14"	7-1/2"	1/2"	16-3/8"
30858	2x2 W	14"	10-3/4"	3-3/4"	16-3/8"
32459	2.5x2 W	10"	7-1/2"	1"	12-3/8"
32554	2.5x2 W	10"	10-3/4"	4-1/4"	12-3/8"
32550	2.5x2 W	12"		8"	14-3/8"
32553	2.5x2 W	14"	7-1/2"	1"	16-3/8"
32555	2.5x2 W	14"	10-3/4"	4-1/4"	16-3/8"
<b>CENTER LINE TS</b>					
31518	2x2 W	10"	6-5/8"	1-3/8"	12-5/8"
30857	2x2 W	10"	9-7/8"	4-5/8"	12-5/8"
30859	2x2 W	12"		8-3/8"	14-5/8"
30856	2x2 W	14"	6-5/8"	1-3/8"	16-5/8"
30858	2x2 W	14"	10-3/4"	4-5/8"	16-5/8"
32459	2.5x2 W	10"	6-5/8"	1-7/8"	12-5/8"
32554	2.5x2 W	10"	9-7/8"	5-1/8"	12-5/8"
32550	2.5x2 W	12"		8-7/8"	14-5/8"
32553	2.5x2 W	14"	6-5/8"	1-7/8"	16-5/8"
32555	2.5x2 W	14"	9-7/8"	5-1/8"	16-5/8"

**TRAILER FENDERS**



**SINGLE DOUBLE RADIUS FENDER**

This fender is constructed of a 16 gauge cold roll steel and incorporates a 1 inch radius on the front and the back of the fender. This fender is designed to accommodate one wheel of any given axle.

(C2X)F0005 7" W x 10" H x 28" L

**SINGLE SQUARE BACK STEEL FENDER**

This fender is constructed of a 16 gauge cold roll steel and incorporates a 1 inch radius on the front and a 90 degree bend on the back of the fender.

(C2X)F0007 7.75" W x 10" H x 28" L  
 (C2X)F0008 9" W x 15" H x 32" L  
 (C2X)F0006 10.75" W x 20" H x 36" L

**TANDEM SQUARE BACK WITHOUT VALANCE STEEL FENDER**

This fender is constructed of a 16 gauge cold roll steel. It is the same width at the top and bottom. The front radius is one inch and the back is formed a 90 degrees downward. No Valance is provided in this fender design. This fender is designed to accommodate a tandem axle trailer. There are no additional light mounting holes or brackets.

(C2X)F0009 9" W x 20.5" H x 72" L

**TANDEM SQUARE BACK WITH VALANCE STEEL FENDER**

This fender is constructed of a 16 gauge cold roll steel. It is the same width at the top and bottom. The front radius is one inch and the back is formed at 90 degrees downward. The teardrop valance measures 7-5/8" tall from the top of the fender to the bottom of the valance. This fender is designed to accommodate a tandem axle trailer and is provided without additional light mounting holes or brackets.

(C2X)F0012 9" W x 20.5" H x 72" L  
 (C2X)F0010 10.75" W x 20.5" H x 72" L  
 (C2X)F0011 9" W x 19.75" H x 66" L

**SINGLE STEEL FENDER BACK**

Round Fender backs are made of 18 gauge steel and are designed to cover the inside back of a fender.

(C2X)F0001 10.50" W x 14" H x 29" L  
 (C2X)F0002 15" W x 25" H x 72" L

**SINGLE JEEP® STEEL FENDER**

Jeep style fenders are flat on top and have two equal flat legs on each side. This fender configuration incorporates a 1 inch radius on both sides and are made of 16 gauge cold roll steel.

(C2X)F0004 8" W x 8" H x 24" L  
 (C2X)F0003 10" W x 19.25" H x 36" L

**TWO WHEEL STRAIGHT - BRIGHT TREAD ALUMINUM**

(C2X)MFJ007 10" W x 17" H x 33" L  
 Aluminum Diamond Plate Single Jeep Style

**REPLACEMENT PARTS:**

- (C2X)BK2000 Bearing Kit For 2000LB
- (C2X)BK3500 Bearing Kit For 3500LB
- (C2X)BK5200 Bearing Kit For 5200LB
- (C2X)BK6000 Bearing Kit For 6000LB
- (C2X)BK7000 Bearing Kit For 7000LB
- (C2X)GC2K35K Dust Cap w/Plug
- (C2X)SS175 Spring Seats - 1.75"
- (C2X)SS238 Spring Seats - 2.375"
- (C2X)SS300 Spring Seats - 3"
- (C2X)UBK238510 U-Bolt Kit 5-1/10" L x 2-3/8" W, 1/2"-20 nut
- (C2X)UBK300650 U-Bolt Kit 6-1/2" L x 3" W, 1/2"-20 nut
- (C2X)UBK300725 U-Bolt Kit 7-1/4" L x 3" W, 1/2"-20 nut



**5TH WHEEL HITCHES FOR OEM PUCK SYSTEMS**

**16KS SERIES FOR FORD, RAM & GM**

- Use with factory 5th wheel/gooseneck prep package
- Single pivot head
- Includes pop-out safety indicator for safe hookup
- Features a self-locking handle & slide bar jaw
- Powder-coated finish and zinc-plated fasteners
- Meets SAEJ2638 5th wheel standards



Ford® Upright Shown

**16KW SERIES FOR FORD, RAM & GM**

- Use with factory 5th wheel/gooseneck prep package
- Fully articulating head
- Includes pop-out safety indicator for safe hookup
- Features a self-locking handle and patented anti-walk wraparound jaw
- Powder-coated finish and zinc-plated fasteners
- Meets SAEJ2638 5th wheel standards



RAM® Upright Shown

**26KW SERIES FOR FORD, RAM & GM**

- Use with factory 5th wheel/gooseneck prep package
- Fully articulating head
- Includes pop-out safety indicator for safe hookup
- Features a self-locking handle and patented anti-walk wraparound jaw
- Powder-coated finish and zinc-plated fasteners
- Meets SAEJ2638 5th wheel standards



GM®/Chevy® Upright Shown

PART #	MODEL	YEARS	SERIES	WEIGHT CARRYING	TONGUE CAPACITY	BED SIZE
<b>FORD</b>						
33018K	F-250/350/450	2011-2022	16KS	16,000 lb	4,000 lb	Long bed
33013K	F-250/350/450	2011-2022	16KW	16,000 lb	4,000 lb	Long bed
33017K	F-250/350/450	2011-2022	26KW	26,000 lb	6,500 lb	Long bed
<b>CHEVROLET / GMC</b>						
33183K	Silverado/Sierra 2500/3500	2020-2022	16KS	16,000 lb	4,000 lb	Long bed
33184K	Silverado/Sierra 2500/3500	2020-2022	16KW	16,000 lb	4,000 lb	Long bed
33185K	Silverado/Sierra 2500/3500	2020-2022	26KW	26,000 lb	6,500 lb	Long bed
33151K	Silverado/Sierra 2500/3500	2016-2019	16KS	16,000 lb	4,000 lb	Long bed
33152K	Silverado/Sierra 2500/3500	2016-2019	16KW	16,000 lb	4,000 lb	Long bed
33153K	Silverado/Sierra 2500/3500	2016-2019	26KW	26,000 lb	6,500 lb	Long bed
<b>RAM</b>						
33012K	2500/3500	2013-2022	16KS	16,000 lb	4,000 lb	Long bed
33011K	2500/3500	2013-2022	16KW	16,000 lb	4,000 lb	Long bed
33021K	2500/3500	2013-2022	26KW	26,000 lb	6,500 lb	Long bed

Short Bed trucks with OEM Puck Systems need to use Husky Roller or Glider with vehicle specific OEM Adapters.

**5TH WHEEL HITCH ACCESSORIES**

**5TH WHEEL WEDGE**

- Allows Husky 5th wheel hitch to be used with Sidewinder™ pin box
- Permanently attaches behind the kingpin of the pin box
- Helps restrict movement between 5th wheel hitch and pin box
- Includes mounting hardware
- Protected by a highly durable powder coat finish
- Only fits 16KW and 26KW Husky towing 5th wheel heads



33173 5th Wheel Wedge

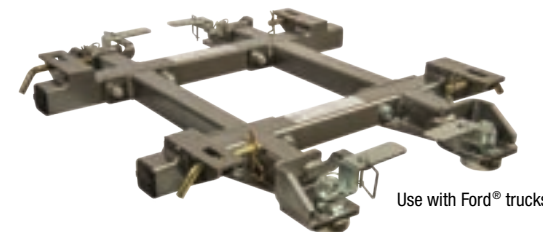


Use with GM® and Chevrolet® trucks

**GM®/CHEVROLET® OEM 5TH WHEEL PUCK ADAPTER**

- Use with factory GM/Chevrolet 5th wheel/gooseneck hitch prep package
- 16,000 lb weight carrying / 4,000 lb tongue capacity
- Powder-coated finish with zinc-plated fasteners
- Meet SAE J2638 5th wheel standards
- For use with most industry 16K 5th wheel hitches with 20-5/8" footprint
- Pucks and feet are made from 100% heat treated alloy steel for superior strength

33056 GM/Chevrolet Puck Adapter  
Fitment: 2016-2019 Chevrolet/GM 2500/3500 HD



Use with Ford® trucks

**FORD® OEM 5TH WHEEL PUCK ADAPTER**

- Use with factory Ford 5th wheel/gooseneck hitch prep package
- 16,000 lb weight carrying / 4,000 lb tongue capacity
- Powder-coated finish with zinc-plated fasteners
- Meet SAE J2638 5th wheel standards
- For use with most industry 16K 5th wheel hitches with 20-5/8" footprint
- Pucks and feet are made from 100% heat treated alloy steel for superior strength

33117 Ford Puck Adapter for Glider & Roller Hitches



Use with RAM® trucks

**RAM® OEM 5TH WHEEL DUAL PUCK ADAPTER**

- Use with factory RAM 5th wheel/gooseneck towing prep package
- 24,000 lb weight carrying / 6,000 lb tongue capacity
- Powder-coated finish with zinc-plated fasteners
- Meet SAE J2638 5th wheel standards
- For use with most industry 16K 5th wheel hitches with 20-5/8" and 29" footprint
- Pucks and feet are made from 100% heat treated alloy steel for superior strength

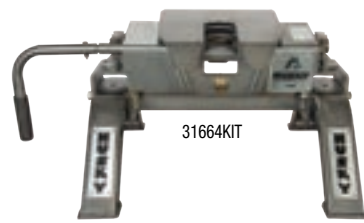
33146 RAM Dual Puck Adapter



**FIFTH WHEEL LUBE DISCS**

- Prevents scratches to the hitch head
- Makes coupling to the trailer a little smoother
- Reduces friction without grease
- Slip lube disc onto the pin; fits all types of 5th wheel trailers

33862 Lube Disc, 8"  
34914 Lube Disc, 10"  
32256 Lube Disc, 12"  
34914010 Lube Disc, 10" Retail Shelf/Counter Box of 10 (New)



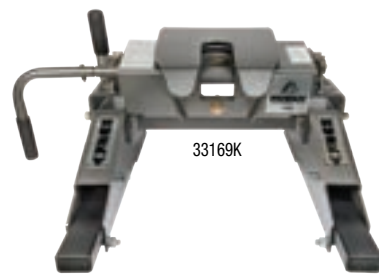
31664KIT



31665KIT



32354KIT

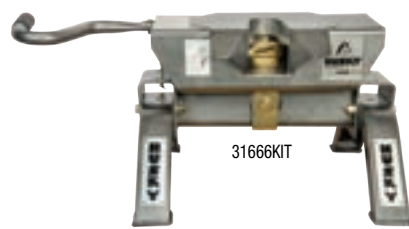


33169K

**16KS 5TH WHEEL HITCH**

- 16,000 lb weight carrying / 4,000 lb tongue capacity
- Single pivot head
- Includes pop-out safety indicator for safe hookup
- Features a self-locking handle & slide bar jaw
- Powder-coated finish and zinc-plated fasteners
- Meets SAEJ2638 5th wheel standards
- Requires 5th wheel trailer hitch mounting kit

31664KIT 16KS & 16K Uprights  
31665KIT 16KS & 16K Glider  
32354KIT 16KS & 16K Roller  
33169K 16KS & 26K HD Roller



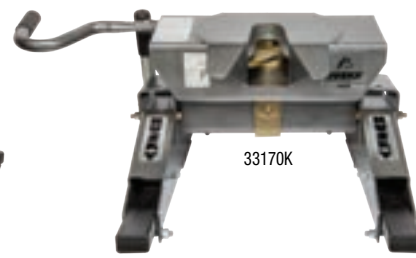
31666KIT



31667KIT



32392KIT



33170K

**16KW 5TH WHEEL HITCH**

- 16,000 lb weight carrying / 4,000 lb tongue capacity
- Fully articulating head
- Includes pop-out safety indicator for safe hookup
- Features a self-locking handle
- Patented anti-walk wraparound jaw
- Improved crossmember with castle nut
- Powder-coated finish and zinc-plated fasteners
- Meets SAEJ2638 5th wheel standards
- Requires 5th wheel trailer hitch mounting kit

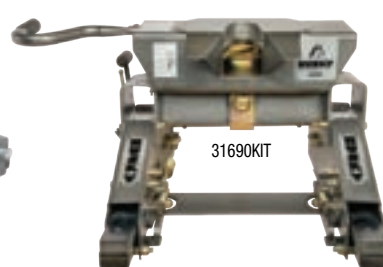
31666KIT 16KW & 16K Uprights  
31667KIT 16KW & 16K Glider  
32392KIT 16KW & 16K Roller  
33170K 16KW & 26K HD Roller



31668KIT



33171K



31690KIT

**26KW 5TH WHEEL HITCH**

- 26,000 lb weight carrying / 6,500 lb tongue capacity
- Fully articulating head
- Includes pop-out safety indicator for safe hookup
- Features a self-locking handle
- Patented anti-walk wraparound jaw
- Improved crossmember with castle nut
- Powder-coated finish and zinc-plated fasteners
- Meets SAEJ2638 5th wheel standards
- Requires 5th wheel trailer hitch mounting kit

31668KIT 26KW & 26K Uprights  
31690KIT 26KW & 26K Glider  
33171K 26KW & 26K HD Roller

**16K 5TH WHEEL HITCH ROLLER**

- 16,000 lb weight carrying / 4,000 lb tongue capacity
- Provides 9" of travel; providing clearance during low speed maneuvering
- Installs with just four pins and clips
- Lift adjustments lets you minimize the distance between the wheels and the rails for smooth operation and less noise
- Works in the base rail slots spaced 20-5/8" apart (base rails not included)
- Includes center bolt kit
- Meets SAE J2638 5th Wheel Standards

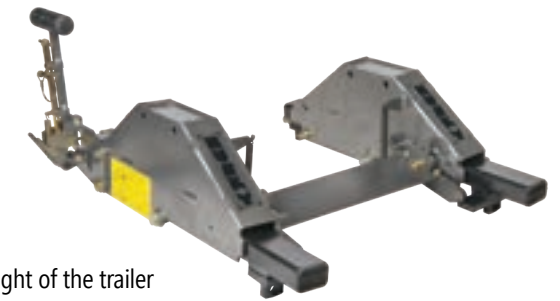
32220 16K 5th Wheel Hitch Roller



**16K 5TH WHEEL HITCH GLIDER**

- 16,000 lb weight carrying / 4,000 lb tongue capacity
- Provides 10" of travel; providing clearance during low speed maneuvering
- Installs with just four pins and clips
- Moves on high-tech composite glide rails for quiet operation
- Rails are UV and corrosion resistant, and virtually maintenance free
- Works in the base rail slots spaced 20-5/8" apart (base rails not included)
- Includes center bolt kit for strength
- Patented "no bind" handle allows for easy no jamming or binding operation
- T-Handle allows for comfortable ergonomics and ease of usage
- Patented mechanism allows for consistent handle operation. No more fighting the weight of the trailer
- Meets SAE J2638 5th Wheel Standards

31196 16K 5th Wheel Hitch Glider



**26K 5TH WHEEL HITCH HD ROLLER**

- 26,000 lb weight carrying / 6,500 lb tongue capacity
- Provides 10" of travel; providing clearance during low speed maneuvering
- Balanced foot print design; Large handle for more ergonomic grip
- Includes center bolt kit for strength
- Meets SAE J2638 5th wheel standards
- Powder coated finish with zinc plated fasteners
- Can be used with Husky 16KS, 16KW, or 26KW 5th wheel heads
- Works in the base rail slots spaced 20-5/8" apart (base rails not included)
- No operating handle interference
- Height adjustments 15-1/4" to 18-5/8"
- Meets SAE J2638 5th Wheel Standards

33143 26K 5th Wheel Hitch HD Roller



**26K 5TH WHEEL HITCH GLIDER**

- 26,000 lb weight carrying / 6,500 lb tongue capacity
- Provides 10" of travel needed truck-to-trailer clearance for low speed maneuvers
- Installs with just four pins and clips
- Moves on high-tech composite glide rails for quiet operation
- Rails are UV and corrosion resistant, and virtually maintenance free
- Works in the base rail slots spaced 20-5/8" apart (base rails not included)
- Includes center bolt kit for strength
- Patented mechanism allows for consistent handle operation. No more fighting the weight of the trailer
- T-Handle allows for comfortable ergonomics and ease of usage
- Patented "no bind" handle allows for easy no jamming or binding operation

32042 26K 5th Wheel Hitch Glider



PART#	DESCRIPTION	COMPONENTS	COMPONENT DESCRIPTION
<b>OEM KITS</b>			
33012K	RAM 16KS OEM 5TH WHEEL HITCH	33000	RAM OEM UPRIGHTS
		31453	16KS HEAD ASSEMBLY KIT
		32999	16KS OEM CROSSMEMBER KIT
33011K	RAM 16KW OEM 5TH WHEEL HITCH	33000	RAM OEM UPRIGHTS
		31569	16KW HEAD AND YOKE ASSEMBLY
		32998	16KW/26KW OEM CROSSMEMBER
33021K	RAM 26KW OEM 5TH WHEEL HITCH	33000	RAM OEM UPRIGHTS
		33157	26KW HEAD AND YOKE ASSEMBLY
		32998	16KW/26KW OEM CROSSMEMBER
33018K	FORD 16KS OEM 5TH WHEEL HITCH	32997	FORD OEM UPRIGHTS
		31453	16KS HEAD ASSEMBLY KIT
		32999	16KS OEM CROSSMEMBER KIT
33013K	FORD 16KW OEM 5TH WHEEL HITCH	32997	FORD OEM UPRIGHTS
		31569	16KW HEAD AND YOKE ASSEMBLY
		32998	16KW/26KW OEM CROSSMEMBER
33017K	FORD 26KW OEM 5TH WHEEL HITCH	32997	FORD OEM UPRIGHTS
		33157	26KW HEAD AND YOKE ASSEMBLY
		32998	16KW/26KW OEM CROSSMEMBER
33151K	GM 16KS OEM 5TH WHEEL HITCH	31453	16KS HEAD ASSEMBLY KIT
		32999	16KS OEM CROSSMEMBER KIT
		33118	GM OEM UPRIGHTS
33152K	GM 16KW OEM 5TH WHEEL HITCH	31569	16KW HEAD AND YOKE ASSEMBLY
		32998	16KW/26KW OEM CROSSMEMBER
		33118	GM OEM UPRIGHTS
33153K	GM 26KW OEM 5TH WHEEL HITCH	33157	26KW HEAD AND YOKE ASSEMBLY
		32998	16KW/26KW OEM CROSSMEMBER
		33118	GM OEM UPRIGHTS
33183K	GM 16KS OEM 2020+ 5TH WHEEL KIT	33221	2020+ GM HD OEM 5TH WHEEL LEGS
		31453	KIT 16K S HEAD AND HARDWARE
		32999	OEM 16KS CROSSMEMBER KIT
33184K	GM 16KW OEM 2020+ 5TH WHEEL KIT	33221	2020+ GM HD OEM 5TH WHEEL LEGS
		33158	16K HEAD & YOKE KIT (HEAD ONLY)
		32998	16/26KW CROSS MEMBER
33185K	GM 26KW OEM 2020+ 5TH WHEEL KIT	33221	2020+ GM HD OEM 5TH WHEEL LEGS
		33157	26K HITCH HOUSING/YOKE/HEAD
		32998	16/26KW CROSS MEMBER
<b>5TH WHEEL KITS</b>			
31664KIT	16KS 5TH WHEEL W/UPRIGHT KIT	31313	16KS HITCH HEAD & CROSSMEMBER
		31314	16K UPRIGHTS
32354KIT	16KS 5TH WHEEL W/ROLLER KIT	31313	16KS HITCH HEAD & CROSSMEMBER
		32220	16K ROLLER
31665KIT	16KS 5TH WHEEL W/GLIDER KIT	31313	16KS HITCH HEAD & CROSSMEMBER
		31196	16K COMPOSITE GLIDER
33169K	16KS 5TH WHEEL W/26K HD ROLLER	31313	16KS HITCH HEAD & CROSSMEMBER
		33143	26K HD ROLLER
31326KIT	16KW HEAD & CROSSMEMBER KIT	31567	16KW CROSSMEMBER
		31569	16KW HEAD AND YOKE ASSEMBLY
31666KIT	16KW 5TH WHEEL W/UPRIGHT KIT	31567	16KW CROSS MEMBER
		31569	16KW HEAD AND YOKE ASSEMBLY
		31314	16K UPRIGHTS
31667KIT	16KW 5TH WHEEL W/GLIDER KIT	31567	16KW CROSSMEMBER
		31569	16KW HEAD AND YOKE ASSEMBLY
		31196	16K COMPOSITE GLIDER
32392KIT	16KW 5TH WHEEL W/16K ROLLER KIT	31567	16KW CROSSMEMBER
		31569	16KW HEAD AND YOKE ASSEMBLY
		32220	16K ROLLER
33170K	16KW 5TH WHEEL W/26K HD ROLLER	31569	16KW HEAD AND YOKE ASSEMBLY
		31567	16KW CROSSMEMBER
		33143	26K HD ROLLER
31318KIT	26KW HEAD & CROSSMEMBER KIT	31568	26KW CROSSMEMBER
		33157	26KW HEAD AND YOKE ASSEMBLY
31668KIT	26KW 5TH WHEEL W/UPRIGHT KIT	31568	26KW CROSSMEMBER
		33157	26KW HEAD AND YOKE ASSEMBLY
		31325	26K UPRIGHTS
31690KIT	26KW 5TH WHEEL W/GLIDER KIT	31568	26KW CROSSMEMBER
		33157	26KW HEAD AND YOKE ASSEMBLY
		32042	26K COMPOSITE GLIDER
33171K	26KW 5TH WHEEL W/26K HD ROLLER	33157	26KW HEAD AND YOKE ASSEMBLY
		31568	26KW CROSSMEMBER
		33143	26K HD ROLLER

**CUSTOM BRACKET KITS, REQUIRED FOR USE WITH 30686 BASE RAIL**

PART#	YEARS	MAKE / MODEL	BED LENGTH	DRILLING REQUIRED	PIECE COUNT	BOLT COUNT
<b>CHEVROLET / GMC</b>						
31402	1988 - 1998	C/K 1500, 88-99, C/K 2500/3500	6-1/2', 8'	YES	4 Pieces	4 Bolts
31415	1999 - 2010	Silverado/Sierra, All (includes up to 07 classic) plus 07-09 2500HD & 3500	6-1/2', 8'	YES	4 Pieces	4 Bolts
32831	2007 - 2022	Silverado/Sierra 1500	5-1/2', 6-1/2', 8'	YES	2 Pieces	4 Bolts
33201	2019 - 2023	Silverado/Sierra 1500 New Body	5-1/2', 6-1/2', 8'	YES	2 Pieces	4 Bolts
31397	2001 - 2010	2500/3500, plus 99-07 Classic 1500	6-1/2', 8'	YES	2 Pieces	4 Bolts
31852	2011 - 2019	Pickup 2500/3500	6-1/2', 8'	NO	2 Pieces Bolt-on Bracket Kit	4 Bolts
33220	2020 - 2023	Pickup 2500/3500 (except '22, not 8' bed)	6-1/2', 8'	NO	2 Pieces Bolt-on Bracket Kit	4 Bolts
<b>DODGE / RAM</b>						
31565	2002 - 2008	Ram Pickup 1500, plus '06 1500 Mega Cab	6-1/2', 8'	YES	2 Pieces	4 Bolts
31413	2002 - 2008	Ram Pickup 1500, (except '06 1500 non-Mega Cab)	6-1/2', 8'	NO	4 Pieces Bolt-on Bracket Kit	4 Bolts
31566	2009 - 2018	Ram Pickup 1500, All Models (except '13-'17 factory air suspension)	5-1/2', 6-1/2', 8'	NO	4 Pieces Bolt-on Bracket Kit	4 Bolts
33204	2019 - 2022	Ram Pickup 1500 (excluding TRX model)	5-1/2', 6-1/2', 8'	NO	4 Pieces Bolt-on Bracket Kit	4 Bolts
31565	2003 - 2009	Ram Pickup 2500, 3500 (except 3500HD 4WD)	6-1/2', 8'	YES	2 Pieces	4 Bolts
31413	2003 - 2012	Ram Pickup 2500, 3500	6-1/2', 8'	NO	4 Pieces Bolt-on Bracket Kit	4 Bolts
32556	2014 - 2022	Ram Pickup 2500 ONLY, All Models	6-1/2', 8'	YES	4 Pieces	4 Bolts
32221	2013 - 2022	Ram Pickup 3500 ONLY, All Models (except '14-'17 factory air suspension)	6-1/2', 8'	NO	4 Pieces Bolt-on Bracket Kit	4 Bolts
33073	2013 - 2022	Ram Pickup 3500 ONLY, All Models	6-1/2', 8'	NO	4 Pieces Bolt-on Bracket Kit	4 Bolts
<b>FORD</b>						
31564	2004 - 2014	F-150 (clamp-on)	6-1/2', 8'	NO	4 Pieces Bolt-on Bracket Kit	4 Bolts
32858	2015 - 2022	F-150 (new aluminum body)	5-1/2', 6-1/2', 8'	YES	4 Pieces	4 Bolts
31406	1999 - 2004	F-250/350 Super Duty	6-1/2', 8'	YES	4 Pieces	4 Bolts
31407	1999 - 2007	F-250/350 Super Duty	6-1/2', 8'	NO	2 Pieces Bolt-on Bracket Kit	4 Bolts
31408	2008 - 2016	F-250/350/450 Super Duty (except chassis cab)	6-1/2', 8'	YES	2 Pieces	4 Bolts
33094	2017 - 2022	F-250/350/450 Super Duty (except chassis cab) (new aluminum body)	6-1/2', 8'	YES	2 Pieces Bolt-on Bracket Kit	4 Bolts
33139	2005 - 2016	F-250/350/450 Super Duty (except chassis cab) (new aluminum body)	6-1/2', 8'	YES	4 Pieces	4 Bolts
31412	2005 - 2015	F-250 (except '11-'15 diesel pick-ups)	6-1/2', 8'	YES	4 Pieces	4 Bolts
31412	2005 - 2016	F-350 plus '08-'09 F-450 Super Duty (except '11-'16 diesel pick-ups)	6-1/2', 8'	YES	4 Pieces	4 Bolts
<b>NISSAN</b>						
31395	2004 - 2015	Titan King Cab plus '08-'09 Titan Crew Cab Pickup	5-1/2', 6-1/2', 8'	YES	4 Pieces	4 Bolts
<b>TOYOTA</b>						
31410	2007 - 2021	Tundra Pickup	5-1/2', 6-1/2', 8'	YES	N/A	4 Bolts

**UNIVERSAL BRACKET KITS**

UNIVERSAL BRACKET KITS					
INTENDED FOR USE WITH VEHICLES PRIOR TO 2018 WITH NO CUSTOM BRACKET KIT.					
31563	Universal Style, for full size pickups See instructions at www.huskytow.com for fits	6-1/2', 8'	Drilling Required	4 Pieces	4 Bolts
31622	Universal Style, for full size pickups See instructions at www.huskytow.com for fits	6-1/2', 8'	Drilling Required	4 Pieces	10 Bolts

SEE BELOW FOR ADDITIONAL SUPPLEMENTARY COMPONENTS

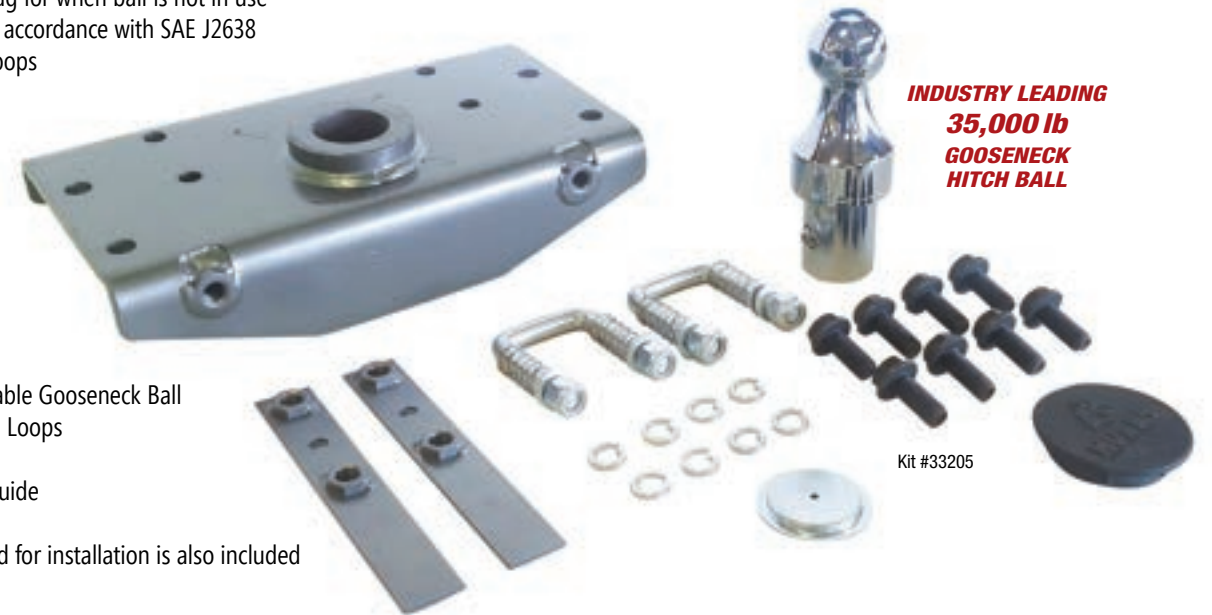
PART#	YEARS	MAKE / MODEL	BED LENGTH	DRILLING REQUIRED	DESCRIPTION	BOLT COUNT
<b>4 BOLT BASE RAIL ADAPTER BRACKET KITS. THESE KITS REQUIRE THE PURCHASE OF UNIVERSAL KIT 31563.</b>						
30665	2009 - 2022	Ram 1500 (Classic)	6-1/2', 8'	YES	2 Piece Adaptor Bracket Kit	4 Bolts
30607	2002 - 2013	Ram Full Size 2500 (except Mega Cab)	6-1/2', 8'	YES	2 Piece Adaptor Bracket Kit	4 Bolts
30607	2002 - 2012	Ram Full Size 3500 (except Mega Cab)	6-1/2', 8'	YES	2 Piece Adaptor Bracket Kit	4 Bolts
30607	1996 - Older	Ford F-150	6-1/2', 8'	YES	2 Piece Adaptor Bracket Kit	4 Bolts
30607	1997 - Older	Ford F-250/350	6-1/2', 8'	YES	2 Piece Adaptor Bracket Kit	4 Bolts
30607	1999 - 2016	Ford F-250/350/450 Super Duty (except chassis cab)	6-1/2', 8'	YES	2 Piece Adaptor Bracket Kit	4 Bolts

PART#	ADDITIONAL BRACKETS & HARDWARE	QTY / HITCH
31385	Straight "L" Bracket Service Kit	1
31401	Left & Right Angle Bracket Replacement Kit	1
31418	Hardware Service Kit for 31563	1
31419	Base Rail 1/4" Spacer Kit	1
31712	Base Rail Tall Spacer Block kit, Bag/4	1
32254	Base Rail Spacer Tube Pkg/4	1
32767	Clip-On Nut Service Kit	1
33346	Wheel Bolt Kit Pkg/8	1
33156	Center Bolt Kit w/longer hardware	1
33150	Center Bolt Kit to use with Aluminum Beds	1
31576	ISR Series 5th Wheel Baserail Hitch Pins Pkg/4	1

**GOOSENECK HITCHES**

**UNDERBED GOOSENECK HITCHES**

- Durable steel construction, finished with a hammered grey powder coat, features a bolt-on design
- With the removal of the hitch ball, the underbed design allows the entire bed of the truck to be used
- 35,000 lb GTW; 8,750 lb tongue weight capacity
- 2-5/16" OEM hitch ball with secure fit included
- Includes rubber plug for when ball is not in use
- Tested for safety in accordance with SAE J2638
- 5/8" Safety chain loops



**Kit Includes:**

- (1) Center Section
  - (1) 35,000 lb Removable Gooseneck Ball
  - (2) 5/8" Safety Chain Loops
  - (1) Rubber Plug
  - (1) Underbed Drill Guide
  - (2) Nut Plates
- All hardware required for installation is also included

**INDUSTRY LEADING  
35,000 lb  
GOOSENECK  
HITCH BALL**



PART#	YEARS	MODEL
<b>CHEVROLET / GMC</b>		
35202	2020-2023	Silverado/Sierra 2500/3500 HD
<b>FORD</b>		
34201	2017-2022	F-250/350/450
<b>RAM</b>		
33205	2019-2022	2500/3500
33207	2014-2018	2500
33206	2013-2018	3500





**GOOSENECK BALL, ANCHORS & PLATFORMS**

**GOOSENECK BALL & SAFETY CHAIN ANCHORS**

- Gooseneck ball rated at 35,000 lb GTW
- Fits trucks with OEM 5th wheel/gooseneck hitch prep package
- Gooseneck ball constructed from heat treated alloy steel with durable chrome plating
- Tie downs constructed from high strength steel with rust-resistant powder coat
- Zinc-plated components
- Anchors offer a safe and secure connection for safety chain hooks
- Quick and easy to install
- Includes drawstring bag for convenient storage of tie downs, gooseneck ball and plug

- 33099 OEM GN Ball & Tie Down Kit For RAM Trucks (shown)
- 33215 OEM GN Ball & Tie Down Kit For 2021+ RAM Trucks
- 33100 OEM GN Ball & Tie Down Kit For Ford/GM/Nissan Trucks, 2023 GM Puck System
- 34199 Replacement Drawstring Bag & Rubber Plug



**GOOSENECK FIXED BALL PLATFORMS**

- Ideal for trucks that tow gooseneck trailers (livestock and equipment trailers)
- Includes built-in safety chain attachments and a 2-5/16" ball
- Required center bolt kit included
- Built in safety chain attachments
- 25,000 lb capacity
- Meets SAE J2638 standards
- \* Base rails are sold separately

- 31368 Fixed Ball Gooseneck Hitch
- 30686 Base Rail\*



**OEM 35K GOOSENECK HITCH BALL**

- Use with Ford, RAM, GM and Nissan OEM towing package
- 35,000 lb towing capacity / 8,750 lb tongue capacity
- 2-5/16" ball fits OEM gooseneck hitches
- Easy to install
- Chrome-plated and made from 100% heat treated alloy for superior strength
- Meets SAE J2638 standards

- 33055 OEM Gooseneck Hitch Ball

**CLASS III RECEIVER HITCHES**

Husky® offers a full line of unique hitch models to provide a custom fit for nearly every vehicle on the road today. Husky® receiver hitches are engineered and rigorously tested to SAE J684 standards for safety. Each hitch is protected inside and out with an industry-leading, rust-resistant finish.

- Manufactured with a vehicle-specific design for a custom fit
- Precisely welded for superior strength and fit
- Co-cured in a rust-resistant liquid Bonderite® coating
- Strengthened with a welded, seamless collar
- Open-back receiver for easy cleaning



TOWING

TOWING

### HUSKY® CLASS III RECEIVER HITCH APPLICATION CHART

MAKE / MODEL	STYLE	YEARS	REC. SIZE	PART#	FOOTNOTES	GTW / TW	WD / WDTW	INSTALL TIME
<b>ACURA</b>								
MDX	--	22 - 23	2	69651C	AA, Z	6.0 / 900	8.0 / 900	30 - 60
	--	14 - 20	2	69549C	AA, Z	6.0 / 900	8.0 / 900	30 - 60
	--	07 - 13	2	69576C	BB, M, I, Z	4.0 / 400	5.0 / 500	30 - 60
	--	01 - 06	2	69471C	AA, Z	3.5 / 350	5.0 / 500	30 - 60
RDX	--	13 - 18	2	69570C	AA, Z	4.0 / 600	--	30 - 60
<b>AUDI</b>								
Q5	--	18 - 21	2	69643C	AA, D, Z	5.0 / 750	--	60 - 90
	Excluding hybrid	09 - 17	2	69572C	BB, M, Z	5.0 / 750	--	30 - 60
<b>BMW</b>								
X3	--	11 - 17	2	69597C	AA, Q, V, Z	3.5 / 350	4.0 / 400	90+
X4	--	15 - 18	2	69597C	AA, Q, V, Z	3.5 / 350	4.0 / 400	90+
X5	--	07 - 18	2	69568C	A, E, M, Z	6.0 / 600	6.0 / 600	90+
X6	--	14 - 19	2	69568C	A, E, M, Z	6.0 / 600	6.0 / 600	90+
<b>BUICK</b>								
Enclave	--	08 - 22	2	69639C	AA, Q, Z	5.0 / 750	5.0 / 750	30 - 60
	--	08 - 17	2	69477C	AA, Z	5.0 / 500	6.0 / 600	30 - 60
<b>CADILLAC</b>								
SRX	--	10 - 16	2	69566C	AA, Z	5.0 / 500	6.0 / 600	30 - 60
<b>CHEVROLET</b>								
Blazer	Excluding Premier	19 - 23	2	69630C	AA, Z	5.0 / 750	6.0 / 750	30 - 60
C10	Excluding 10" step bumper	75 - 86	2	69593C	--	6.0 / 600	10 / 1000	60 - 90
C20	Excluding with 10" step bumper Cab & chassis	76 - 86	2	69593C	--	6.0 / 600	10 / 1000	60 - 90
		78 - 86	2	69593C	--	6.0 / 600	10 / 1000	60 - 90
C2500	Cab & chassis	88 - 00	2	69593C	--	6.0 / 600	10 / 1000	60 - 90
C30	Excluding with 10" step bumper Cab & chassis	76 - 86	2	69593C	--	6.0 / 600	10 / 1000	60 - 90
		78 - 86	2	69593C	--	6.0 / 600	10 / 1000	60 - 90
C3500	4-door crew cab Cab & chassis	88 - 91	2	69593C	--	6.0 / 600	10 / 1000	60 - 90
		88 - 00	2	69593C	--	6.0 / 600	10 / 1000	60 - 90
C3500HD	Cab & chassis with 34" wide frame	91 - 22	2	69593C	--	6.0 / 600	10 / 1000	60 - 90
Colorado	--	15 - 22	2	69531C	AA, M, T, Z	6.0 / 900	8.0 / 900	30 - 60
		15 - 22	2	69534C	AA, T, Z	8.0 / 800	10 / 1000	30 - 60
Equinox	Excluding diesel	18 - 22	2	69640C	AA, HE, Z	4.5 / 675	4.5 / 675	30 - 60
		05 - 17	2	69488C	Z, M	3.5 / 350	4.0 / 400	30 - 60
Express 1500	--	96 - 14	2	69469C	Z	6.0 / 600	10 / 1000	30 - 60
Express 2500/3500	Excluding cutaway models	96 - 22	2	69469C	Z	6.0 / 600	10 / 1000	30 - 60
K10	Excluding 10" step bumper	76 - 86	2	69593C	--	6.0 / 600	10 / 1000	60 - 90
K20	Excluding with 10" step bumper Cab & chassis	75 - 86	2	69593C	--	6.0 / 600	10 / 1000	60 - 90
		75 - 86	2	69593C	--	6.0 / 600	10 / 1000	60 - 90
K2500	Cab & chassis	88 - 22	2	69593C	--	6.0 / 600	10 / 1000	60 - 90
K3500	Cab & chassis	88 - 22	2	69593C	--	6.0 / 600	10 / 1000	60 - 90
Silverado 1500	Without factory receiver Excluding roll pan bumper, Tommy Gate lift or 10" drop bumper	19 - 22	2	69627C	AA, Z	6.0 / 600	10 / 1000	60 - 90
		14 - 18	2	69524C	AA, Z	6.0 / 600	10 / 1000	30 - 60
		07 - 18	2	69456C	T, Z	6.0 / 600	10 / 1000	30 - 60
		99 - 13	2	69652C	M, Z	6.0 / 600	10 / 1000	30 - 60
		99 - 06	2	69551C	Z	6.0 / 600	10 / 1000	30 - 60

MAKE / MODEL	STYLE	YEARS	REC. SIZE	PART#	FOOTNOTES	GTW / TW	WD / WDTW	INSTALL TIME
<b>CHEVROLET</b>								
Silverado 1500 Classic	Excluding roll pan bumper, Tommy Gate lift or 10" drop bumper	07 - 07	2	69652C	M, Z	6.0 / 600	10 / 1000	30 - 60
		07 - 07	2	69551C	Z	6.0 / 600	10 / 1000	30 - 60
Silverado 1500 HD	Excluding roll pan bumper, Tommy Gate lift or 10" drop bumper	05 - 06	2	69652C	M, Z	6.0 / 600	10 / 1000	30 - 60
		05 - 06	2	69551C	Z	6.0 / 600	10 / 1000	30 - 60
		01 - 03	2	69652C	M, Z	6.0 / 600	10 / 1000	30 - 60
		01 - 03	2	69551C	Z	6.0 / 600	10 / 1000	30 - 60
Silverado 1500 HD Classic	Excluding roll pan bumper, Tommy Gate lift or 10" drop bumper	07 - 07	2	69652C	M, Z	6.0 / 600	10 / 1000	30 - 60
		07 - 07	2	69551C	Z	6.0 / 600	10 / 1000	30 - 60
Silverado 1500 LD	--	19 - 19	2	69524C	AA, Z	6.0 / 600	10 / 1000	30 - 60
		19 - 19	2	69456C	T, Z	6.0 / 600	10 / 1000	30 - 60
Silverado 2500	Excluding Tommy Gate lift, 10" drop bumper or cab & chassis	99 - 04	2	69652C	M, Z	6.0 / 600	10 / 1000	30 - 60
		99 - 04	2	69551C	Z	6.0 / 600	10 / 1000	30 - 60
		99 - 04	2	69593C	--	6.0 / 600	10 / 1000	60 - 90
Silverado 2500 HD	6' bed, excluding factory receiver, Tommy Gate lift or cab & chassis	15 - 19	2	69625C	AA, Z	8.0 / 800	12 / 1200	30 - 60
		01 - 06	2	69593C	--	6.0 / 600	10 / 1000	60 - 90
Silverado 2500 HD Classic	Cab & chassis	07 - 07	2	69593C	--	6.0 / 600	10 / 1000	60 - 90
Silverado 3500	Cab & chassis	01 - 06	2	69593C	--	6.0 / 600	10 / 1000	60 - 90
Silverado 3500 Classic	Cab & chassis	07 - 07	2	69593C	--	6.0 / 600	10 / 1000	60 - 90
Silverado 3500 HD	6' bed, excluding factory receiver, Tommy Gate lift or cab & chassis	15 - 19	2	69625C	AA, Z	8.0 / 800	12 / 1200	30 - 60
Traverse	--	18 - 23	2	69639C	AA, Q, Z	5.0 / 750	5.0 / 750	30 - 60
		18 - 20	2	69615C	BB, HE, M, Z	5.0 / 750	7.5 / 750	30 - 60
		09 - 17	2	69477C	AA, Z	5.0 / 500	6.0 / 600	30 - 60
<b>CHRYSLER</b>								
Pacifica	--	17 - 22	2	69616C	BB, D, HE, M, Z	4.0 / 400	5.0 / 500	30 - 60
Town & Country	--	08 - 16	2	69479C	Z	4.0 / 400	5.0 / 500	30 - 60
Voyager	All	20 - 22	2	69616C	BB, D, HE, M, Z	4.0 / 400	5.0 / 500	30 - 60
<b>DODGE</b>								
Dakota	--	97 - 04	2	69575C	Z	5.0 / 500	8.0 / 800	30 - 60
		87 - 96	2	69575C	--	5.0 / 500	8.0 / 800	30 - 60
Durango	Excluding SRT	11 - 22	2	69530C	BB, I, M, Z	6.0 / 600	7.5 / 750	30 - 60
Grand Caravan	--	08 - 20	2	69479C	Z	4.0 / 400	5.0 / 500	30 - 60
Journey	--	09 - 20	2	69505C	M, Z	4.0 / 400	4.0 / 400	30 - 60
Promaster 1500/2500/3500	--	14 - 22		69665C	BB, Z	5.0 / 500	--	30 - 60
Ram 1500	Excluding factory receiver	03 - 10	2	69458C	K, Z	6.0 / 600	10 / 1000	30 - 60
		09 - 10	2	69607C	BB, M, Z	6.0 / 600	10 / 1000	30 - 60
		68 - 01	2	69571C	--	6.0 / 600	10 / 1000	60 - 90
Ram 2500	Excluding factory receiver	03 - 10	2	69458C	K, Z	6.0 / 600	10 / 1000	30 - 60
Ram 2500	Excluding roll pan bumper	68 - 02	2	69571C	--	6.0 / 600	10 / 1000	60 - 90
Ram 3500	Excluding factory receiver Excluding roll pan bumper	03 - 10	2	69458C	K, Z	6.0 / 600	10 / 1000	30 - 60
		68 - 02	2	69571C	--	6.0 / 600	10 / 1000	60 - 90
Sprinter 2500	Step bumper	07 - 09	2	69556C	Z	5.0 / 500	7.5 / 750	30 - 60
Sprinter 3500	170" WB with factory step bumper	07 - 09	2	69556C	Z	5.0 / 500	7.5 / 750	30 - 60
Sprinter 2500/3500	Standard bumper	07 - 09	2	69664C	BB, Z	6.0 / 600	10 / 1000	30 - 60

MAKE / MODEL	STYLE	YEARS	REC. SIZE	PART#	FOOTNOTES	GTW / TW	WD / WDTW	INSTALL TIME
<b>FORD</b>								
Bronco	Full size	21 - 22	2	69659C	AA, Z	3.5 / 350	--	20 - 40
		78 - 96	2	69571C	--	6.0 / 600	10 / 1000	60 - 90
Bronco Sport	--	21 - 22	2	69666C	AA, D, Z	3.5 / 525	--	45 - 60
Crown Victoria	--	92 - 11	2	69586C	--	4.0 / 400	6.0 / 600	30 - 60
E-150	Econoline Van	00 - 14	2	69498C	M	6.0 / 600	8.0 / 800	30 - 60
E-250	Econoline Van	00 - 14	2	69498C	M	6.0 / 600	8.0 / 800	30 - 60
E-350 Super Duty	Econoline Van (not cab & chassis)	00 - 14	2	69498C	M	6.0 / 600	8.0 / 800	30 - 60
Edge	-- Fits beneath factory 1-1/4" receiver hitch	15 - 23	2	69550C	BB, M, V	4.0 / 600	--	30 - 60
		07 - 14	2	69491C	BB, D, V	4.0 / 400	--	60 - 90
Escape	-- -- Excluding S --	20 - 22	2	69636C	AA, HE, Z	3.5 / 525	--	30 - 60
		13 - 19	2	69518C	AA, V	3.5 / 350	5.0 / 500	30 - 60
		13 - 19	2	69623C	BB, M	3.5 / 525	5.0 / 525	30 - 60
		05 - 12	2	69463C	M	3.5 / 350	5.0 / 500	30 - 60
Explorer	--	20 - 22	2	69635C	AA, D, V, Z	6.0 / 600	--	60 - 90
		11 - 19	2	69621C	BB, M, Z	4.0 / 400	5.0 / 500	30 - 60
F-350/450/550	Cab & chassis with 34" frame width (O.D.)	88 - 97	2	69593C	--	6.0 / 600	10 / 1000	60 - 90
F-100	Excluding 10" drop bumper, old body	73 - 83	2	69571C	--	6.0 / 600	10 / 1000	60 - 90
F-150	Without factory receiver Without factory receiver, excluding Police Responder -- Excluding 10" drop bumper, old body	15 - 22	2	69650C	BB, Z	3.5 / 900	10 / 1000	30 - 60
		15 - 20	2	69608C	AA, Z	6.0 / 900	10 / 1000	30 - 60
		09 - 14	2	69512C	BB, Z	6.0 / 600	11 / 1100	30 - 60
F-250	Old body, excluding 10" drop bumper and 73 - 79 crew cab Crew cab	73 - 99	2	69571C	--	6.0 / 600	10 / 1000	60 - 90
		75 - 79	2	69593C	--	6.0 / 600	10 / 1000	60 - 90
F-350	Old body, excluding with 10" drop bumper Cab & chassis with 34" frame width (O.D.)	73 - 97	2	69571C	--	6.0 / 600	10 / 1000	60 - 90
		73 - 97	2	69593C	--	6.0 / 600	10 / 1000	60 - 90
Flex	With dual exhaust	09 - 20	2	69552C	BB, M, Z	4.0 / 400	4.0 / 400	30 - 60
LTD Crown Victoria	--	87 - 91	2	69586C	--	4.0 / 400	6.0 / 600	30 - 60
Mustang Mach-E	--	21 - 22	2	69655C	AA, D, Z	2.0 / 200	--	60 - 90
Police Interceptor Utility	--	13 - 19	2	69621C	BB, M, Z	4.0 / 400	5.0 / 500	30 - 60
Ranger	--	19 - 22	2	69629C	AA, Z	6.0 / 900	8.0 / 900	30 - 60
		83 - 11	2	69563C	M	4.0 / 400	6.0 / 600	30 - 60
Transit-150/250/350	--	15 - 23	2	69543C	BB, M, Z	6.0 / 900	8.0 / 900	30 - 60
Transit Connect	--	14 - 22	2	69558C	BB, M, Z	3.5 / 525	4.0 / 525	30 - 60
<b>FREIGHTLINER</b>								
Sprinter 2500	Cargo van with standard bumper Cargo van with factory step bumper	07 - 22	2	69664C	BB	6.0 / 600	10 / 1000	30 - 60
		07 - 22	2	69556C	Z	5.0 / 500	7.5 / 750	30 - 60
Sprinter 3500	Cargo van with standard bumper Cargo van, 170" WB with factory step bumper	07 - 22	2	69664C	BB	6.0 / 600	10 / 1000	30 - 60
		07 - 22	2	69556C	Z	5.0 / 500	7.5 / 750	30 - 60
<b>GMC</b>								
Acadia	Excluding AT4	17 - 23	2	69645C	BB, V, Z	5.0 / 750	--	30 - 60
	--	07 - 16	2	69477C	AA, Z	5.0 / 500	6.0 / 600	30 - 60

MAKE / MODEL	STYLE	YEARS	REC. SIZE	PART#	FOOTNOTES	GTW / TW	WD / WDTW	INSTALL TIME
<b>GMC</b>								
Acadia Limited	--	17 - 17	2	69477C	AA, Z	5.0 / 500	6.0 / 600	30 - 60
C15	Excluding 10" step bumper	75 - 87	2	69593C	--	6.0 / 600	10 / 1000	60 - 90
C25	Excluding with 10" step bumper Cab & chassis	75 - 78	2	69593C	--	6.0 / 600	10 / 1000	60 - 90
		75 - 78	2	69593C	--	6.0 / 600	10 / 1000	60 - 90
C2500	-- Cab & chassis	79 - 86	2	69593C	--	6.0 / 600	10 / 1000	60 - 90
		79 - 00	2	69593C	--	6.0 / 600	10 / 1000	60 - 90
C35	Excluding with 10" step bumper Cab & chassis	75 - 78	2	69593C	--	6.0 / 600	10 / 1000	60 - 90
		75 - 78	2	69593C	--	6.0 / 600	10 / 1000	60 - 90
C3500	-- Cab & chassis	79 - 86	2	69593C	--	6.0 / 600	10 / 1000	60 - 90
		79 - 00	2	69593C	--	6.0 / 600	10 / 1000	60 - 90
C3500HD	Cab & chassis	91 - 02	2	69593C	--	6.0 / 600	10 / 1000	60 - 90
Canyon	-- --	15 - 21	2	69531C	AA, M, T, Z	6.0 / 900	8.0 / 900	30 - 60
		15 - 21	2	69534C	AA, T, Z	8.0 / 800	10 / 1000	30 - 60
K25	Excluding with 10" step bumper Cab & chassis	75 - 78	2	69593C	--	6.0 / 600	10 / 1000	60 - 90
		75 - 78	2	69593C	--	6.0 / 600	10 / 1000	60 - 90
K2500	-- 4-door crew cab Cab & chassis	79 - 86	2	69593C	--	6.0 / 600	10 / 1000	60 - 90
		88 - 91	2	69593C	--	6.0 / 600	10 / 1000	60 - 90
		79 - 00	2	69593C	--	6.0 / 600	10 / 1000	60 - 90
K35	Excluding with 10" step bumper Cab & chassis	75 - 78	2	69593C	--	6.0 / 600	10 / 1000	60 - 90
		75 - 78	2	69593C	--	6.0 / 600	10 / 1000	60 - 90
K3500	-- 4-door crew cab Cab & chassis	79 - 86	2	69593C	--	6.0 / 600	10 / 1000	60 - 90
		88 - 91	2	69593C	--	6.0 / 600	10 / 1000	60 - 90
		79 - 00	2	69593C	--	6.0 / 600	10 / 1000	60 - 90
Savana 1500	Full size van with standard rear bumper	96 - 14	2	69469C	Z	6.0 / 600	10 / 1000	30 - 60
Savana 2500	Full size van with standard rear bumper	96 - 22	2	69469C	Z	6.0 / 600	10 / 1000	30 - 60
Savana 3500	Excluding cutaway models	96 - 22	2	69469C	Z	6.0 / 600	10 / 1000	30 - 60
Sierra 1500	Without factory receiver Excluding roll pan bumper, Tommy Gate lift or 10" drop bumper	19 - 21	2	69627C	AA, Z	6.0 / 600	10 / 1000	60 - 90
		14 - 18	2	69524C	AA, Z	6.0 / 600	10 / 1000	30 - 60
		07 - 18	2	69456C	T, Z	6.0 / 600	10 / 1000	30 - 60
		99 - 13	2	69652C	M, Z	6.0 / 600	10 / 1000	30 - 60
		99 - 06	2	69551C	Z	6.0 / 600	10 / 1000	30 - 60
Sierra 1500 Classic	Excluding roll pan bumper, Tommy Gate lift or 10" drop bumper --	07 - 07	2	69652C	D, M, Z	6.0 / 600	10 / 1000	30 - 60
		07 - 07	2	69551C	Z	6.0 / 600	10 / 1000	30 - 60
Sierra 1500 HD	Excluding 10" drop bumper, roll pan bumper or Tommy Gate lift -- --	05 - 06	2	69652C	M, Z	6.0 / 600	10 / 1000	30 - 90
		05 - 06	2	69551C	Z	6.0 / 600	10 / 1000	30 - 60
		01 - 03	2	69652C	M, Z	6.0 / 600	10 / 1000	30 - 60
Sierra 1500 HD	--	01 - 03	2	69551C	Z	6.0 / 600	10 / 1000	30 - 60
Sierra 1500 HD Classic	Excluding roll pan bumper, Tommy Gate lift or 10" drop bumper --	07 - 07	2	69652C	D, M, Z	6.0 / 600	10 / 1000	30 - 60
		07 - 07	2	69551C	Z	6.0 / 600	10 / 1000	30 - 60
Sierra 1500 Limited	-- --	19 - 19	2	69524C	AA, Z	6.0 / 600	10 / 1000	30 - 60
		19 - 19	2	69456C	T, Z	6.0 / 600	10 / 1000	30 - 60
Sierra 2500	Excluding Tommy Gate lift, 10" drop bumper or cab & chassis -- Cab & chassis	99 - 04	2	69652C	M, Z	6.0 / 600	10 / 1000	30 - 60
		99 - 04	2	69551C	Z	6.0 / 600	10 / 1000	30 - 60
		99 - 04	2	69593C	--	6.0 / 600	10 / 1000	60 - 90

MAKE / MODEL	STYLE	YEARS	REC. SIZE	PART#	FOOTNOTES	GTW / TW	WD / WDTW	INSTALL TIME
<b>GMC</b>								
Sierra 2500 HD	6' bed, excluding factory receiver, Tommy Gate lift or cab & chassis	15 - 19 01 - 06	2 2	69625C	AA, Z	8.0 / 800	12 / 1200	30 - 60
				69593C	--	6.0 / 600	10 / 1000	60 - 90
Sierra 2500 HD Classic	Cab & chassis	07 - 07	2	69593C	--	6.0 / 600	10 / 1000	60 - 90
Sierra 3500	Cab & chassis with 34" wide frame	01 - 23	2	69593C	--	6.0 / 600	10 / 1000	60 - 90
Sierra 3500 Classic	Cab & chassis with 34" wide frame	07 - 23	2	69593C	--	6.0 / 600	10 / 1000	60 - 90
Sierra 3500 HD	6' bed, excluding factory receiver, Tommy Gate lift or cab & chassis	15 - 19	2	69625C	AA, Z	8.0 / 800	12 / 1200	30 - 60
Terrain	Excluding diesel	18 - 23 10 - 17	2 2	69640C	AA, HE, Z	4.5 / 675	4.5 / 675	30 - 60
				69488C	M, Z	3.5 / 350	4.0 / 400	30 - 60
<b>HONDA</b>								
CR-V	Excluding Hybrid and Touring	21 - 22 17 - 20 12 - 16 07 - 11 02 - 06	2 2 2 2 2	69622C	AA, B, D, Z	3.5 / 525	--	30 - 60
				69622C	AA, B, D, Z	3.5 / 525	--	30 - 60
				69510C	BB, M, V, Z	3.5 / 350	--	30 - 60
				69555C	M, Z	3.5 / 350	--	30 - 60
				69581C	Z	3.5 / 350	--	30 - 60
Odyssey	--	18 - 23 99 - 17	2 2	69634C	BB, M, Z	3.5 / 525	5.0 / 525	30 - 60
				69476C	BB, M, Z	3.5 / 350	5.0 / 500	30 - 60
Pilot	--	16 - 22 03 - 08	2 2	69549C	AA, Z	6.0 / 900	8.0 / 900	30 - 60
				69471C	AA, Z	3.5 / 350	5.0 / 500	30 - 60
<b>HYUNDAI</b>								
Palisade	--	20 - 23	2	69641C	AA, M, Z	5.0 / 750	6.0 / 750	30 - 60
Santa Cruz	--	22 - 23	2	69660C	AA, Z	5.0 / 750	--	30 - 60
Santa Fe	--	21 - 22 19 - 20 13 - 18	2 2 2	69653C	AA, Z	4.0 / 600	--	30 - 60
				69548C	BB, M, Z	5.0 / 500	--	30 - 60
				69559C	Z	6.0 / 900	8.0 / 900	30 - 60
Santa Fe Sport	--	13 - 18	2	69547C	BB, M, V, Z	6.0 / 900	8.0 / 900	30 - 60
Santa Fe XL	--	19 - 19	2	69559C	Z	6.0 / 900	8.0 / 900	30 - 60
Tucson	-- Excluding Night	22 - 23 16 - 21 10 - 15	2 2 2	69657C	AA, Z	3.5 / 525	--	30 - 60
				69565C	AA, Z	3.5 / 525	--	30 - 60
				69570C	AA, Z	3.5 / 525	5.2 / 525	30 - 60
<b>INFINITI</b>								
QX60	--	14 - 20	2	69554C	AA, D, Z	4.0 / 600	5.0 / 600	30 - 60
<b>JEEP</b>								
Cherokee	Concealed main body Exposed main body --	19 - 22 14 - 19 14 - 18	2 2 2	69646C	AA, V, Z	4.5 / 675	5.5 / 750	30 - 60
				69595C	BB, Z	5.0 / 750	6.0 / 750	30 - 60
				69573C	AA, D, Z	5.0 / 750	6.0 / 750	30 - 60
Compass	Built in USA	11 - 16	2	69509C	AA, D, Z	4.0 / 400	--	30 - 60
Gladiator	Pick up	20 - 23	2	69637C	AA, Z	5.0 / 500	--	30 - 60
Grand Cherokee	L Excluding SRT, SRT8 Excluding SRT, SRT8, Trackhawk or diesel Excluding SRT8 WK, excludes SRT, SRT8, & Trackhawk WK Classic	21 - 23 12 - 21 11 - 17 05 - 10 12 - 21 22 - 22	2 2 2 2 2 2	69661C	AA, Z	7.5 / 750	--	90+
				69530C	BB, M, Z	6.0 / 600	7.5 / 750	30 - 60
				69532C	AA, Z	5.0 / 500	7.5 / 750	30 - 60
				69533C	K, Z	5.0 / 500	5.5 / 550	30 - 60
				69530C	BB, M, Z	6.0 / 600	7.5 / 750	30 - 60
				69530C	BB, M, Z	6.0 / 600	7.5 / 750	30 - 60

MAKE / MODEL	STYLE	YEARS	REC. SIZE	PART#	FOOTNOTES	GTW / TW	WD / WDTW	INSTALL TIME
<b>JEEP</b>								
Liberty	--	08 - 12	2	69567C	Z	5.0 / 500	7.5 / 750	30 - 60
Patriot	--	11 - 17	2	69509C	AA, D, Z	4.0 / 400	--	30 - 60
Renegade	--	15 - 22	2	69574C	BB, HE, M, Z	3.5 / 525	--	30 - 60
Wrangler	JL, excluding diesel TJ	18 - 23 97 - 06	2 2	69613C	B, HE, Z	3.5 / 350	4.0 / 400	30 - 60
				69612C	Z	4.0 / 400	--	30 - 60
<b>KIA</b>								
Carnival	--	22 - 23	2	69654C	AA, V, Z	4.0 / 600	--	30 - 60
Sedona	--	15 - 21	2	69585C	BB, M, Z	4.0 / 400	4.0 / 400	30 - 60
Sorento	--	21 - 23 16 - 20 14 - 15	2 2 2	69653C	AA, Z	4.0 / 600	--	30 - 60
				69548C	BB, M, Z	5.0 / 750	--	30 - 60
				69547C	BB, M, V, Z	6.0 / 900	8.0 / 900	30 - 60
Sportage	--	2023 17 - 22 11 - 16	2 2 2	69657C	AA, Z	3.5 / 525	--	30 - 60
				69603C	AA, Z	3.5 / 525	--	30 - 60
				69570C	AA, Z	3.5 / 525	5.2 / 525	30 - 60
Telluride	--	20 - 22	2	69642C	AA, M, V, Z	5.0 / 750	6.0 / 750	30 - 60
<b>LEXUS</b>								
GX460	--	10 - 22	2	69590C	Z	5.0 / 500	5.0 / 500	30 - 60
GX470	--	03 - 09	2	69577C	M, Z	5.0 / 500	5.5 / 550	30 - 60
RX350	--	16 - 19 10 - 15	2 2	69584C	AA, Z	4.0 / 600	5.0 / 600	30 - 60
				69557C	AA, V, Z	4.0 / 400	5.0 / 500	30 - 60
RX350L	--	18 - 20	2	69633C	AA, D, Z	5.0 / 500	--	30 - 60
RX450h	--	10 - 15	2	69557C	AA, V, Z	4.0 / 400	5.0 / 500	30 - 60
<b>LINCOLN</b>								
Aviator	--	20 - 23	2	69635C	AA, D, V, Z	6.0 / 600	--	60 - 90
Corsair	--	20 - 22	2	69636C	AA, HE, Z	3.5 / 525	--	30 - 60
MKT	With EcoBoost	10 - 17	2	69552C	BB, M, Z	4.0 / 400	4.0 / 400	30 - 60
MKX	--	07 - 15	2	69491C	BB, V	4.0 / 400	--	60 - 90
Town Car	--	81 - 11	2	69586C	--	4.0 / 400	6.0 / 600	30 - 60
<b>MAZDA</b>								
B2300	--	01 - 09 94 - 97	2 2	69563C	M	4.0 / 400	6.0 / 600	30 - 60
				69563C	M	4.0 / 400	6.0 / 600	30 - 60
B2500	--	98 - 01	2	69563C	M	4.0 / 400	6.0 / 600	30 - 60
B3000	--	98 - 07 94 - 96	2 2	69563C	M	4.0 / 400	6.0 / 600	30 - 60
				69563C	M	4.0 / 400	6.0 / 600	30 - 60
B4000	--	94 - 09	2	69563C	M	4.0 / 400	6.0 / 600	30 - 60
CX-5	--	13 - 22	2	69602C	AA, Z	4.0 / 600	--	30 - 60
CX-9	--	16 - 22	2	69617C	AA, Z	4.0 / 600	5.0 / 600	30 - 60
Tribute	--	08 - 11 05 - 06	2 2	69463C	M	3.5 / 350	5.0 / 500	30 - 60
				69463C	M	3.5 / 350	5.0 / 500	30 - 60
<b>MERCEDES-BENZ</b>								
Sprinter 2500	Cargo van with standard bumper Cargo van with factory step bumper	10 - 22 10 - 22	2 2	69664C	BB	6.0 / 600	10 / 1000	30 - 60
				69556C	Z	5.0 / 500	7.5 / 750	30 - 60
Sprinter 3500	Cargo van with standard bumper Cargo van, 170" WB with factory step bumper	10 - 22 10 - 22	2 2	69664C	BB	6.0 / 600	10 / 1000	30 - 60
				69556C	Z	5.0 / 500	7.5 / 750	30 - 60

MAKE / MODEL	STYLE	YEARS	REC. SIZE	PART#	FOOTNOTES	GTW / TW	WD / WDTW	INSTALL TIME
<b>MERCURY</b>								
Grand Marquis	--	79 - 09	2	69586C	--	4.0 / 400	6.0 / 600	30 - 60
Mariner	--	05 - 11	2	69463C	M	3.5 / 350	5.0 / 500	30 - 60
<b>MITSUBISHI</b>								
Outlander	--	14 - 20	2	69578C	BB, M, Z	4.0 / 600	4.0 / 600	30 - 60
Outlander Sport	--	11 - 22	2	69609C	BB, M, Z	3.5 / 350	--	30 - 60
RVR	--	11 - 21	2	69609C	BB, M, Z	3.5 / 350	--	30 - 60
<b>NISSAN</b>								
Frontier	--	05 - 22	2	69499C	AA, Z	5.0 / 500	8.0 / 800	30 - 60
Murano	--	15 - 23	2	69540C	M, Z	3.5 / 350	--	30 - 60
NV 1500/2500/3500	--	12 - 21	2	69663C	BB, Z	7.5 / 750	10 / 1000	20 - 40
Pathfinder	--	17 - 20	2	69647C	AA, D, Z	6.0 / 900	6.0 / 900	30 - 60
	--	13 - 16	2	69554C	AA, D, Z	4.0 / 600	5.0 / 600	30 - 60
Rogue	--	21 - 23	2	69649C	AA, Z	3.5 / 525	--	30 - 60
	Excluding Krom	08 - 20	2	69544C	AA, Z	3.5 / 525	--	30 - 60
Rogue Select	--	14 - 15	2	69544C	AA, Z	3.5 / 525	--	30 - 60
Titan	--	17 - 22	2	69610C	BB, M, Z	8.0 / 800	12 / 1200	30 - 60
Xterra	--	05 - 15	2	69569C	M, Z	4.0 / 400	6.0 / 600	30 - 60
<b>PORSCHE</b>								
Macan	--	15 - 18	2	69572C	BB, D, M	5.0 / 750	--	30 - 60
<b>RAM</b>								
C/V	--	12 - 15	2	69479C	Z	4.0 / 400	5.0 / 500	30 - 60
ProMaster 1500	--	14 - 21	2	69665C	BB, Z	6.0 / 750	7.5 / 750	30 - 60
	--	14 - 21	2	69589C	BB, Z	5.0 / 500	--	30 - 60
ProMaster 2500	Full size van	14 - 22	2	69665C	BB, Z	6.0 / 750	7.5 / 750	30 - 60
	--	14 - 22	2	69589C	BB, Z	5.0 / 500	--	30 - 60
ProMaster 3500	--	14 - 22	2	69665C	BB, Z	6.0 / 750	7.5 / 750	30 - 60
	Full size van	14 - 22	2	69589C	BB, Z	5.0 / 500	--	30 - 60
1500	With class 3 factory bumper hitch	19 - 22	2	69631C	K, Z	6.0 / 600	--	30 - 60
	Classic body	19 - 22	2	69458C	K, Z	6.0 / 600	10 / 1000	30 - 60
	Classic body style	11 - 22	2	69607C	BB, M, Z	6.0 / 600	10 / 1000	30 - 60
1500 Classic	Excluding factory receiver	19 - 21	2	69458C	K, Z	6.0 / 600	10 / 1000	30 - 60
	--	19 - 22	2	69607C	BB, M, Z	6.0 / 600	10 / 1000	30 - 60
2500	Excluding factory receiver	11 - 13	2	69458C	K, Z	6.0 / 600	10 / 1000	30 - 60
3500	Excluding factory receiver	11 - 13	2	69458C	K, Z	6.0 / 600	10 / 1000	30 - 60
<b>SUBARU</b>								
Crosstrek	Excluding hybrid	18 - 23	2	69614C	AA, HE, Z	3.5 / 525	--	30 - 60
	--	16 - 17	2	69605C	AA, Z	3.5 / 525	--	30 - 60
	Hybrid only	16 - 16	2	69605C	AA, Z	3.5 / 525	--	30 - 60
Forester	--	19 - 22	2	69628C	BB, HE, M	3.5 / 525	--	30 - 60
	--	14 - 18	2	69546C	BB, M	3.5 / 525	--	30 - 60
	--	09 - 13	2	69564C	BB, M, Z	4.0 / 400	--	30 - 60
Legacy	--	20 - 21	2	69658C	BB, D, Z	4.0 / 600	--	45 - 60
	--	10 - 19	2	69542C	BB, M	4.0 / 600	--	30 - 60

MAKE / MODEL	STYLE	YEARS	REC. SIZE	PART#	FOOTNOTES	GTW / TW	WD / WDTW	INSTALL TIME
<b>SUBARU</b>								
Outback	--	20 - 23	2	69658C	BB, D, Z	4.0 / 600	--	45 - 60
	--	14 - 19	2	69541C	BB, M	4.0 / 600	--	30 - 60
XV Crosstrek	--	13 - 15	2	69605C	AA, Z	3.5 / 525	--	30 - 60
<b>TOYOTA</b>								
4Runner	--	03 - 09	2	69577C	M, Z	5.0 / 500	5.5 / 550	30 - 60
Highlander	--	20 - 23	2	69662C	AA, D, Z	5.0 / 500	--	30 - 60
	--	14 - 19	2	69529C	BB, D, M, Z	6.0 / 900	8.0 / 900	30 - 60
	--	14 - 19	2	69633C	AA, D, Z	5.0 / 500	--	30 - 60
	--	08 - 13	2	69475C	J, M, Z	5.0 / 500	--	30 - 60
RAV4	--	19 - 22	2	69632C	AA, Z	4.0 / 600	4.0 / 600	30 - 60
	--	06 - 18	2	69470C	BB, M, Z	3.5 / 525	4.0 / 525	30 - 60
Sienna	--	21 - 23	2	69648C	AA, M, V, Z	3.5 / 350	5.0 / 500	30 - 60
	--	04 - 20	2	69481C	BB, M, V, Z	3.5 / 350	5.0 / 500	30 - 60
Tacoma	Excluding factory receiver	16 - 22	2	69545C	AA, Z	6.0 / 900	8.0 / 900	30 - 60
	--	05 - 15	2	69472C	Z	5.0 / 500	5.5 / 550	30 - 60
	--	95 - 04	2	69553C	Z	5.0 / 500	6.0 / 600	30 - 60
Venza	--	09 - 16	2	69580C	BB, M, Z	3.5 / 350	4.0 / 400	30 - 60
<b>VOLKSWAGEN</b>								
Atlas		21 - 23	2	69656C	AA, Z	6.0 / 900	--	90+
Routan	--	09 - 14	2	69479C	AA, Z	4.0 / 400	5.0 / 500	30 - 60
Tiguan	--	18 - 23	2	69620C	AA, Z	3.5 / 525	--	30 - 60
	--	09 - 17	2	69591C	AA, Z	3.5 / 350	--	30 - 60
<b>VOLVO</b>								
XC60	--	10 - 17	2	69619C	AA, V, Z	4.0 / 400	4.5 / 450	60 - 90

#### FOOTNOTES

<b>A</b> - Allow additional installation time	<b>H</b> - Will not fit vehicles with twin tailpipes	<b>R</b> - Boxed due to bolt-on arms
<b>AA</b> - Main body concealed	<b>HE</b> - Hole enlargement required	<b>T</b> - Minor modifications required
<b>B</b> - Relocate or modify exhaust	<b>I</b> - Will not fit with full size spare	<b>TG</b> - Compatible with Tommy Gate lifts
<b>BB</b> - Main body exposed	<b>J</b> - No spare tire relocation	<b>U</b> - May require battery removal
<b>CC</b> - Roll pan modification required	<b>K</b> - OEM-style hitch	<b>V</b> - Undercar trimming (not fascia) required
<b>CF</b> - Carbide black finish	<b>L</b> - Fixed draw bar	<b>VT</b> - Vertical receiver tube
<b>D</b> - Minor fascia trim required	<b>M</b> - Round tube main body	<b>W</b> - Only vehicles with boxed rear bumper
<b>E</b> - Noticeable fascia trim required	<b>N</b> - Continued while supplies last	<b>X</b> - 158" WB models require brace removal 118" WB models require spare tire relocation
<b>F</b> - Will not fit vehicles with ground effects	<b>P</b> - Not with roll pan bumper	
<b>G</b> - Additional install with load level air compressors	<b>Q</b> - Temporary bumper removal	<b>Z</b> - No drilling required

**SOLID STEEL HITCH BALLS**

- Forged from a single piece of solid steel
- Durable chrome-plated finish
- Various shank lengths available
- Accommodates a variety of ball platform thicknesses
- Rated from Class I to Class IV
- Designed with "wrench flats" for ease of installation
- Tested to SAE J684 standards
- Includes lock-washer and nut
- Retail packaged, unless indicated by a \*(bulk)

PART#	SHANK DIAMETER	SHANK LENGTH	MAX GTW	BALL PLATFORM
<b>1-7/8" BALL DIAMETER</b>				
33844*	3/4"	1-3/4"	2,000 lb	3/8"-3/4"
33846*	1"	2-1/8"	2,000 lb	3/8"-3/4"
<b>2" BALL DIAMETER</b>				
34917	3/4"	1-3/4"	3,500 lb	3/8"-3/4"
33849*	3/4"	1-3/4"	3,500 lb	3/8"-3/4"
33850*	3/4"¹	2-5/16"	3,500 lb	1/2"-1-3/8"
34918	1"	2-1/8"	6,000 lb	3/8"-3/4"
33851*	1"	2-1/8"	6,000 lb	3/8"-3/4"
32913*	1"	2-1/8"	7,500 lb	3/8"-3/4"
34924	1"	2-7/8"	6,000 lb	3/4"-1-3/4"
33852*	1"	2-7/8"	6,000 lb	3/4"-1-3/4"
32914*	1"	2-7/8"	7,500 lb	3/4"-1-3/4"
30601*	1"²	2"	5,000 lb	3/8"-3/4"
33853*	1-1/4"	2-5/8"	8,000 lb	1/2"-1"
<b>2-5/16" BALL DIAMETER</b>				
34919	1"	2-1/8"	6,000 lb	3/8"-3/4"
33855*	1"	2-1/8"	6,000 lb	3/8"-3/4"
30255	1-1/4"	2-5/8"	12,000 lb	3/8"-1"
39386*	1-1/4"	2-5/8"	12,000 lb	3/8"-1"
30678*	1-1/4"	2-5/8"	14,000 lb	3/8"-1"

¹Required for certain step bumper equipped pickups w/ball platforms thicker than 3/4". Always use a lock-washer and tighten nut with a torque wrench for proper torque.

²Lift Height 1".

\*Bulk packaged.

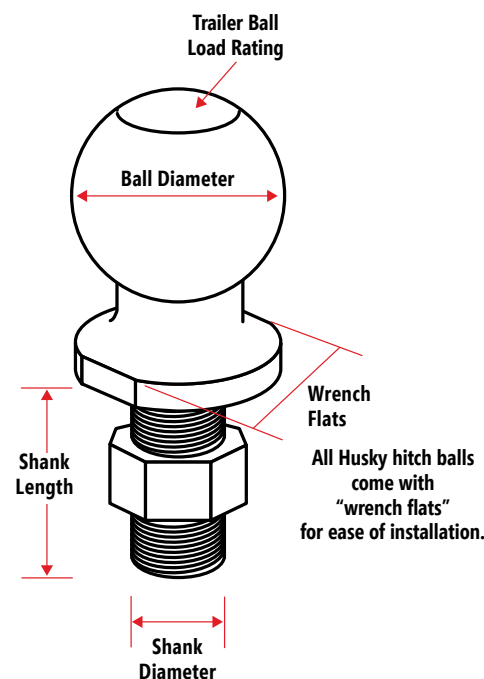
Follow these easy steps to properly determine the correct hitch ball for your application:

**A. Determine Ball & Coupler Size** - Most couplers are stamped with the required hitch ball size. Common sizes are: 1-7/8", 2" and 2-5/16".

**B. Gross Trailer Weight (GTW)** - Select the appropriate hitch ball to match or exceed the Gross Trailer Weight rating of the trailer.

**C. Match the Hitch Ball Shank to the Ball Platform Thickness & Hole Size** - When mounted in the ball platform, the threaded ball shank must protrude beyond the bottom of the lock washer and nut at least two threads.

**D. Hole Size** - The hitch ball shank must be matched to the platform hole diameter size. Standard hole sizes are: Class I: 3/4" diameter, Class II: 3/4" diameter, Class III/IV: 1" diameter, Weight Distribution: 1-1/4" diameter.



**One quick switch. One tough hitch.**

No fumbling between setups. The Switch Hitch by Husky® has a solid core with a swivel design making it faster to switch over than any other tri-ball trailer hitch.

33140 Switch Hitch

**Standard Features:**

- Powder Coated Finish
- Indexing Pin Design
- Grease Fitting
- Class IV Tested
- Patented 3-Ball Swivel System
- Limited Lifetime Warranty

2" - 6,000 lb  
Gross Towing Weight

1-7/8" - 2,000 lb  
Gross Towing Weight

2-5/16" - 10,000 lb  
Gross Towing Weight



**BALL MOUNTS**

Ball mounts vary by weight rating, shaft length, and rise/drop measurements. Husky's Class II, III & IV ball mounts are manufactured with a precise rise or drop to suit each application. Weight rating is limited to vehicle tow rating; see vehicle owner's manual. Retail packaged, unless indicated by a \*(bulk). Limited lifetime warranty.

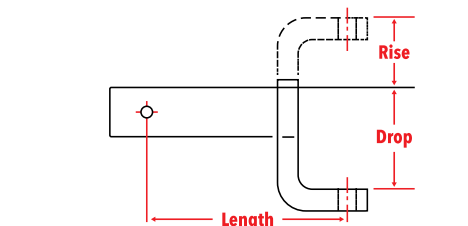


PART#	BALL THREAD DIAMETER	LENGTH	RISE	DROP	GTW
<b>CLASS II, 1-1/4"</b>					
31341	3/4"	6-5/8"	5/8"	1-1/4"	3,500 lb
31342	3/4"	7-7/8"	2-1/4"	2-7/8"	3,500 lb
<b>CLASS II/III/IV, 2"</b>					
31357	1"	8"	3/4"	2"	6,000 lb
31359	1"	6-3/4"	2"	3-1/4"	6,000 lb
31360	1"	9"	1"	2-1/4"	6,000 lb
31358	1"	10"	3"	4-1/4"	5,000 lb
31361*	1"	9"	1	8"	3,500 lb
31362	1"	10-1/2"	1"	2-1/4"	6,000 lb
31363	1"	11-1/2"	4-3/4"	6"	5,000 lb
31369	1"	12"	1"	2-1/4"	6,000 lb
<b>CLASS V, 2.5"</b>					
33004	1-1/4"	9-1/2"	1"	2-1/2"	12,000 lb
33005	1-1/4"	9-1/2"	3-1/4"	4-3/4"	12,000 lb
<b>STRAIGHT ECONOMY</b>					
31364	1"	8"	3/4"	2"	6,000 lb

¹Not to be used in rise position.

A: Measure from the ground to the top of the hitch.  
B: Measure from the ground to the INSIDE top of the trailer coupler (when level)  
C: Determine the "DROP" or "Rise"

DROP: if the coupler is LOWER than the hitch:  
ADD the height of the hitch ball (usually 3")  
RISE: if the coupler is HIGHER than the hitch:  
SUBTRACT: the height of the hitch ball (usually 3")  
EXAMPLE: a 7" DROP is needed to make this trailer level.  
4" (Hitch - Coupler) + 3" (Hitch Ball Ht.) = 7" (DROP)



FOR BALL MOUNT RISE:  
A = Distance from ground to bottom of trailer coupler.  
B = Distance from ground to top I.D. of the receiver tube opening.  
C = Amount of rise necessary to keep trailer level.

FOR BALL MOUNT DROP:  
A = Distance from ground to bottom of trailer coupler.  
B = Distance from ground to top I.D. of the receiver tube opening.  
C = Amount of drop necessary to keep trailer level.



**PRE-TORQUED TOW KITS**

Class IV. Fits 2 Inch Receiver. 6000 lb GTW. Non-swivel; non-extendable. 1 Inch ball shank diameter; with 2 inch ball; powder-coated black steel; includes pin and clip.

- 31366 2" Ball, 2" Drop, 3/4" Rise
- 31367 2" Ball, 3-1/4" Drop, 2" Rise



**TRI-BALL ADJUSTABLE BALL MOUNT**

- Chrome ball, zinc plated hardware
- Black powder-coat finish
- Head adjusts up and down on a reversible shank
- Anti-rattle adjustment bolt on the head
- Easy pull pin adjustment
- 1-7/8" Ball: 2,000 lb capacity, 2" Ball: 6,000 lb capacity and 2-5/16" Ball: 10,000 lb capacity
- All hardware included
- Weight rating is limited to vehicle tow rating; see vehicle owner's manual

30001 Tri-Ball adjustable mount



**ADJUSTABLE BALL MOUNT KIT WITH BALL PLATFORM**

Includes a solid steel ball mount accessory, and accepts 1" tube diameter, hitch balls (not included). Adjustable 6-3/4 Inch Drop or 5-1/4 Inch Rise. GTW: 6000 lb. Two high strength clevis pins allows for easy removal and swift interchangeability of accessories and height adjustments. Rust-resistant powder-coat finish.

33108 2" Receiver



**DOUBLE TOW BALL MOUNT**

- Chrome ball, zinc plated hardware
- Black powder-coat finish
- 8" pin hole to ball center
- 2" trailer ball and 2-5/16" hitch ball rating 5,000 lb
- Class III

31354 Double tow ball mount



**TRIPLE TOW BALL MOUNT**

- Black powder-coat finish
- 8" pin hole to 2-5/16" ball
- 7" pin hole to other balls
- 12" overall shank length
- 1-7/8" Hitch ball rating: 2,000 lb, 2" Hitch ball rating: 5,000 lb and 2-5/16" Hitch ball rating: 10,000 lb
- Class IV

31349 Triple tow ball mount



**PINTLE COMBO**

Includes a solid forged steel pintle combo with ball. Easy removal and swift interchangeability of accessories and height adjustments. Rust-resistant powder-coat finish.

- 33114 2-5/16" Ball 13,000 lb/6.5 Ton
- 33258 2-5/16" Ball 20,000 lb/10 Ton



**REPLACEMENT PINS FOR ADJUSTABLE BALL MOUNT KITS**

33111 Replacement Pins for 33104/33108/33109 Ball Mounts

**LOCKING PINS SET FOR ADJUSTABLE BALL MOUNT KITS**

33112 Locking Pins Set



**ADJUSTABLE BALL MOUNT KIT WITH DUAL BALL**

Quick, easy to adjust. Solid 2" shank platform fits 2" receivers. Works with pintle hook combo balls, clevis mounts and more. Includes a solid steel, 2-5/16" ball (14,000 lb GTW) and a 2" ball (10,000 lb GTW).

- 33104 2" Receiver, 6" Drop
- 33255 2" Receiver, 10" Drop
- 33254 2-1/2" Receiver, 6" Drop



**ADJUSTABLE BALL MOUNT/PINTLE COMBO KIT**

Includes a solid forged steel pintle combo with ball, and 2 clevis pins for easy removal and swift interchangeability of accessories and height adjustments. Rust-resistant powder-coat finish.

- 33109 2" Receiver, 2" Ball 10,000 lb GTW
- 33110 2" Receiver, 2-5/16" Ball 13,000 lb GTW



**ADJUSTABLE MOUNT STEP PLATFORM (Mount sold separately)**

- Provides a convenient 16 inch step
- Folds up and out of the way when not in use
- 350 lb weight capacity
- Cast steel construction with a highly durable powder-coat finish
- Channel mount attachment allows for versatile height adjustment

33257 Adjustable Mount Step Platform

**STRAIGHT TRAILER COUPLERS**

- For safe towing of trailers requiring 1-7/8" and 2" couplers
- Built to the highest industry standards: tested and certified to VESC V-5 and SAE J684 standards
- Includes safety pin and retainer chain to keep the ball clamp in a locked position
- The quick release assembly allows for fast and safe locking and unlocking of the ball clamp enabling faster hook-up and disconnect



Retainer chain

PART#	BALL SIZE	INSIDE WIDTH	MAX GTW
87070	1-7/8"	2"	2,000 lb
87071	1-7/8"	2-1/2"	2,000 lb
87072	1-7/8"	3"	2,000 lb
87073	2"	2"	3,500 lb
87074	2"	2-1/2"	3,500 lb
87075	2"	3"	3,500 lb
87076	2"	3"	6,000 lb

**A-FRAME TRAILER COUPLERS**

- Designed to be welded to trailers with 50 degree A-frame tongues
- Rated for SAE Class III, IV & V applications
- Includes a jack mount cutout that accepts all A-frame tongue jacks
- #87077 includes a chain to eliminate loss of the safety pin

PART#	DESCRIPTION
87077	2" A-Frame Coupler with Chain, 5,000 lb
87079	2" A-Frame Coupler, Flat Lock, 5,000 lb
87080	2-5/16" A-Frame Coupler, 10,000 lb
87081	2-5/16" A-Frame Coupler, 14,000 lb

**Note:** Tow rating is limited to the lowest rated component of the system; see Vehicle Owner's Manual.



**PIN COUPLER LOCK**

- Easy to install theft-deterrent to protect your investment
- Fits most straight and A-frame coupler latches
- Solid die cast zinc body with high quality brass plated finish
- Weather-resistant brass 5-pin tumbler lock
- Convenient lock adjustment at every 1/4 turn of the key
- Quick and easy installation: no holes to drill and no tools required

33164 Coupler Lock, 1/cd



**COUPLER REPAIR KITS**

PART#	DESCRIPTION
87082	Coupler Repair Kit for 1-7/8" Couplers, 2,000 lb
87083	Coupler Repair Kit for 2" Couplers, 3,500 lb
87084	Coupler Repair Kit for 2" Couplers, 5,000 lb

**HITCH BOX ADAPTERS AND ACCESSORIES**



**1-1/4" - 2" HITCH BOX ADAPTER**

Install 2" accessories into a 1-1/4" hitch box. 350lb tongue weight; 3,500lb gross trailer weight.

32848 1-1/4" to 2" Adapter



**2" - 1-1/4" HITCH BOX ADAPTER**

Install 1-1/4" accessories into a 2" hitch box. 350lb tongue weight; 3,500lb gross trailer weight.

32849 2" to 1-1/4" Adapter



**2" HITCH BOX EXTENSION**

Extend a 2" hitch box an additional 12". 350lb tongue weight; 3,500lb gross trailer weight.

32850 2" Extension



**3" - 2" REDUCER**

33129 3" to 2" Reducer



**3" - 2.5" REDUCER**

33131 3" to 2.5" Reducer



**2.5" - 2" REDUCER**

33133 2.5" to 2" Reducer



**LOCKING RECEIVER PINS**

Locking trailer hitch pin with dust cap.

- 33165 1/2" Pin Diameter  
Fits 1-1/4" Receivers
- 33159 5/8" Pin Diameter,  
Fits 2"-2-1/2" Receivers
- 33160 5/8" Pin Diameter, Super Duty  
Fits 3" Receivers



**HITCH PINS**

Replacement pin and clip.

- 34521 1/2" Pull Pin & Clip, Crd/1
- 33253 1/2" Hitch Pin Only, Bulk
- 30003 1/2" Hitch Pin 4 pk
- 33792 Spring Clip, Bulk
- 34853 Spring Clip Pkg/2
- 30004 Spring Clip 4 pk
- 33790 5/8" Pin & Clip, Crd/1
- 33791 5/8" Pull Pin Only, Bulk



**RECEIVER CAPS**

Durable, black plastic caps protect and conceal receiver opening when not in use.

38446 2" Pinned



**5TH WHEEL KING PIN LOCK**

Protect your 5th wheel from theft. Slide the U-bracket into the grooved portion of the king pin and insert the lock pin.

33161 5th Wheel King Pin Lock

**BIKE RACKS**



**HITCH MOUNT 2-BIKE RACK**

- Mounts to 2" receiver
- Drop down feature allows quick access to rear of most vehicles
- Rubber cradles can be locked to protect bikes from theft
- Holds two bicycles
- Heavy gauge steel
- Powder-coated finish
- Load capacity: 60 lb

81146 Hitch Mount 2-Bike Rack

**HITCH MOUNT 4-BIKE RACK**

- Mounts to 2" receiver
- Deluxe steel carrier converts from 2 to 4 bike carrier with easy to use included extension
- Drop down feature allows quick access to rear of most vehicles
- Rubber cradles can be locked to protect bikes from theft
- Heavy gauge steel
- Powder-coated finish
- Load capacity: 120 lb

81147 Hitch Mount 4-Bike Rack

**BIKE RACK EXTENSION**

**2-BIKE RACK EXTENSION**

- For use with the Husky Towing Products #81146
- Easily bolts onto existing 2-bike carrier
- Carries up to 2 extra bikes
- Fits most frame sizes, shapes and styles
- Rubber coated "V-cradles" can be locked to protect bikes from theft
- Has red reflector built-in for safety
- Lockable with padlocks (sold separately)
- Load capacity: 80 lb

81144 2-Bike Rack Extension



Two bike carrier converts into a Four bike carrier





**CARGO HELPER**

- Adjustable rack adds support for oversized cargo such as building materials, supplies and recreational equipment up to 350lb
- Can be attached horizontally to extend the length of the tailgate, or vertically for bedrail or rooftop support
- Steel construction with a durable black powder coated finish
- Integrated tie-down points help secure cargo during transport
- Installs in seconds into 2" receiver, hitch pin sold separately
- Can be disassembled and easily stowed in the truck bed or cab
- Includes red safety flag

944H Cargo Helper



Horizontal tailgate support adjusts from 17" to 23-3/4" above the hitch



Vertical bedrail or rooftop support adjusts from 55" to 62" above the hitch

**ALUMINUM CARGO AND MOBILITY PRODUCTS CARRIER**



Gradual slope ramp allows easy loading and unloading

- The extra wide bed of this aluminum cargo carrier accommodates most mobility products, including power wheelchairs and scooters, up to 500 lb
- Aluminum construction makes it lightweight and easy to handle
- The gradual slope on the fold-up ramp makes loading and unloading a breeze
- Attaches to any 2" trailer hitch
- Deck planking is engineered to provide more surface area for better traction
- 2 tie-down anchor points secure and stabilize load during transport
- Carrier measures: 50-1/2" L x 30" W x 4" H, Ramp: 47" L x 29-1/2" W
- 500 lb capacity

88133 Cargo/Mobility Products Carrier

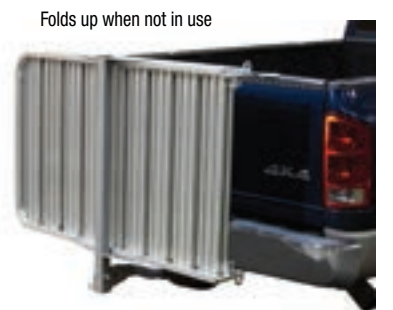


Deck planking is engineered to provide more surface area for easy loading

Extra wide deck



Fold-up ramp locks in place for secure and reliable transport



Folds up when not in use

**HEAVY-DUTY FOLDABLE CARGO CARRIER**



- Outside dimensions: 60" L x 20" W x 6" H
- Inside dimensions: 58" L x 18" W x 5.5" H
- Heavy duty, all steel square tubular construction
- Extension bar fits 2" receiver
- Corrosion-resistant
- Folds up when not in use
- 500 lb capacity

81149 Heavy-Duty Cargo Carrier



Folds up when not in use

**EXTRA WIDE CARGO CARRIER**



- 60" L x 23-1/2" W x 3" H
- Rugged long lasting powder coated steel construction
- Extra tie down holes to easily secure cargo
- Fits 2" hitch receiver
- Non-folding
- 500 lb capacity

81148 Extra Wide Cargo Carrier

# BIG DOG

- Extremely tough roto-molded thermoplastic construction
- Exterior surfaces are UV protected to prevent sun damage
- Polyurethane foam filling and freezer style gasket insulate contents from extreme temperatures
- Air pressure relief valve releases vacuum for easy opening
- Dual stainless steel latches secure the lid and double as bottle openers
- Ruler molded into non-slip textured surface
- Non-skid rubber feet prevent shifting during transport



BDC45

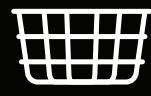
**Key Features:**



Cutting board\*



Cup holders



Basket / exterior basket holder\*\*



Keeps ice 5+ days

\*\*20 qt cooler does not include exterior basket mount

\*110 qt cooler includes two cutting boards



BDC20



BDCR60



BDC110



BDCR45



BDC75



BDC110

PART#	QUARTS	MODEL	LENGTH	WIDTH	HEIGHT
BDC20	20 qt	Hard Sided	19-5/8"	12-3/8"	13-7/8"
BDC45	45 qt	Hard Sided	26-3/8"	15-5/8"	16"
BDC75	75 qt	Hard Sided	33-1/4"	17-1/8"	17-3/8"
BDC110	110 qt	Hard Sided	37-5/8"	19-1/4"	19-1/8"
BDCR45	45 qt	Hard Sided Rolling	21-5/8"	18-3/8"	21-3/8"
BDCR60	60 qt	Hard Sided Rolling	26-3/8"	18-3/8"	21-3/8"



## COOLER ACCESSORIES

### BASKETS

Manufactured with steel wire construction and black powder dipped

PART#	COMPATIBILITY
BASKET1	BDC20
BASKET2	BDC45 / BDCR60
BASKET3	BDC75
BASKET4	BDC110
BASKET5	BDCR45



### BASKET HOLDER

Installs in minutes and is manufactured with durable steel construction with black powder coating

PART#	COMPATIBILITY
BSKTHLDR	BDC45 / BDCR45 / BDCR60 / BDC75 / BDC110



### DRAIN PLUGS

Constructed with ABS plastic with a UV inhibitor to keep the gloss black color

PART#	COMPATIBILITY
DRNPLG1	BDC20 / BDCR45 / BDC75 / BDC110
DRNPLG2	BDCR45 / BDCR60



### RUBBER CLAMPS

Constructed with high strength natural rubber for long life and durability

PART#	COMPATIBILITY
RBBCLAMP	ALL BIGDOG COOLERS



### SIDE HANDLES

Made with high-strength nylon straps with stainless steel buckles and ABS molded handle grip

PART#	COMPATIBILITY
SDHANDLES	BDC45 / BDCR45 / BDCR60 / BDC75 / BDC110



### CUTTING BOARDS

These double-sided cutting boards are made with food-grade polypropylene and meets all FDA testing requirements

PART#	COMPATIBILITY
CTTNGBRD1	BDC20
CTTNGBRD2	BDC45 / BDCR45 / BDCR60
CTTNGBRD3	BDC75
CTTNGBRD4	BDC110



### CUP HOLDERS

Manufactured with steel wire construction and black powder dipped

PART#	COMPATIBILITY
CUPHLDR1	BDC20
CUPHLDR2	BDC45 / BDCR45 / BDCR60 / BDC75 / BDC110



### PRESSURE RELEASE VALVE

Manufactured with ABS plastic and stainless steel spring

PART#	COMPATIBILITY
PRVALVE	ALL BIGDOG COOLERS



### BOTTLE OPENERS

Manufactured with T304 stainless steel for lasting, corrosion-free performance

PART#	COMPATIBILITY
BTTLOPNR	ALL BIGDOG COOLERS



### ANTI-SKID RUBBER FEET

Made with high strength natural rubber with molded traction bars

PART#	COMPATIBILITY
RBBRFEET	ALL BIGDOG COOLERS



**BRUTE & SUPER BRUTE SERIES POWER ELECTRIC JACKS**

Brute was the first jack in its class to offer a ball screw for low rolling friction, compared to the sliding friction of standard power jacks with ACME screws. Rolling friction means the motor works less, draws less amperage, creates less heat, reduces noise and increases motor and jack life. A ball screw is standard on all Brutes. The Super Brute #82022 is equipped with a hi-capacity ball nut for a higher rated load. #87641 and #82022 include remote control to make leveling more convenient.

- Exclusive "SmartStop" feature that prevents mechanical hard stops on end of stroke
- All Brute & Super Brute jacks feature a total lift of 24", a stroke of 18" and a drop leg of 6"
- Advanced 20mm Ball Screw design provides superior lifting capacity, reduces friction, amperage draw and motor wear
- Hi-capacity ball nut in #82022 gives 33% increase in rated capacity
- Weather-protected, soft-trigger switches with back-lit panel
- Connector Storage Kit for electric jacks found on page 46

**Replacement Parts:**

- 32335 Replacement Pin
- 87491 Replacement Foot Plate



**BRUTE SERIES**      **SUPER BRUTE SERIES**

SPECIFICATIONS	#87248	#87247	#87641	#88141	#82084	#82022
LIFT CAPACITY	3000 lb	4500 lb	4500 lb	4500 lb	4000 lb	5000 lb
OUTER TUBE DIAMETER	2.25"	2.25"	2.25"	2.25"	2.25"	2.25"
COVER COLOR	Dark Grey	Dark Grey	Dark Grey	White	Silver	Silver
LEVEL INCLUDED	no	yes	yes	yes	yes	yes
REMOTE CONTROL	no	no	yes	no	no	yes
AMP DRAW AT FULL LOAD	15A	19A	19A	19A	18A	21A
TRAVEL SPEED (6" UP & 6" DOWN)	52 sec.	52 sec.	52 sec.	52 sec.	52 sec.	52 sec.
FULL 18" STROKE	✓	✓	✓	✓	✓	✓
UV-RESISTANT COVER	✓	✓	✓	✓	✓	✓
WATER-RESISTANT COVER	✓	✓	✓	✓	✓	✓
WEATHER-PROTECTED SWITCHES	✓	✓	✓	✓	✓	✓
3 MULTI-BULB WORKLIGHTS	Standard LEDs	Standard LEDs	Standard LEDs	Standard LEDs	Extra Bright LEDs	Extra Bright LEDs
DURABLE POWDER-COAT FINISH	✓	✓	✓	✓	✓	✓
HARDENED STEEL GEARS	✓	✓	✓	✓	✓	✓
STAINLESS STEEL FASTENERS	✓	✓	✓	✓	✓	✓
LOW FRICTION, BALL SCREW	3 circuit	3 circuit	3 circuit	3 circuit	3 circuit	4 circuit
12V OPERATION	✓	✓	✓	✓	✓	✓
INTERNAL AUTOMATIC THERMAL PROTECTION	25A	25A	25A	25A	25A	25A
RESETTABLE CIRCUIT BREAKER	30A	30A	30A	30A	30A	30A
SOLDERED ELECTRICAL CONNECTIONS	✓	✓	✓	✓	✓	✓

**ELECTRIC TONGUE JACKS**

SuspensionPro® Electric Tongue Jacks make setting up a weight distribution system easier than ever, replacing tedious hand cranking with a push of a button. They deliver an industry-leading duty cycle for a lifetime of reliable performance.

**SuspensionPro® features include:**

- Exclusive "SmartStop" feature that prevents mechanical hard stops on end of stroke
- All SuspensionPro jack ratings are working load ratings, not just intermittent load
- All jacks, except 81200, have a 6" telescoping foot pad
- 81200 has a removable foot pad that slides over the end of the inner tube

**Replacement Parts:**

- 32335 Replacement Pin
- 87491 Replacement Foot Plate



SPECIFICATIONS	#81199	#81200	#81201	#88142
LIFT CAPACITY	2500 lb	3000 lb	3500 lb	3500 lb
OUTER TUBE DIAMETER	2.25"	2"	2.25"	2.25"
COVER COLOR	Black	Black	Black	White
AMP DRAW AT FULL LOAD	20A	23A	18A	18A
TRAVEL SPEED (6" UP & 6" DOWN)	55 sec.	60 sec.	80 sec.	80 sec.
FULL 18" STROKE	✓	✓	✓	✓
UV-RESISTANT COVER	✓	✓	✓	✓
WATER-RESISTANT COVER	✓	✓	✓	✓
WEATHER-PROTECTED SWITCHES	✓	✓	✓	✓
3 MULTI-BULB WORKLIGHTS	Standard LEDs	Standard LEDs	Standard LEDs	Standard LEDs
DURABLE POWDER-COAT FINISH	✓	✓	✓	✓
HARDENED STEEL GEARS	✓	✓	✓	✓
STAINLESS STEEL FASTENERS	✓	✓	✓	✓
3/4" DRIVE SCREW	✓	✓	✓	✓
12V OPERATION	✓	✓	✓	✓
SELF-LUBRICATING DRIVE NUT	✓	✓	✓	✓
INTERNAL AUTOMATIC THERMAL PROTECTION	✓	✓	✓	✓
RESETTABLE CIRCUIT BREAKER	✓	✓	✓	✓
SOLDERED ELECTRICAL CONNECTIONS	✓	✓	✓	✓

**A-FRAME TOP-WIND & SIDE-WIND JACKS**

- Durable powder-coat and zinc plate finish
- All A-frame tongue jacks have a pin hole for casters and foot pads
- Maximum stroke 14-7/8" for top-wind jacks and 15-3/8" for side-wind jacks
- Designed to accept a foot pad
- Zerk fitting provided for convenient lubrication



**SIDE-WIND SWIVEL JACK**

- Easily swivels to horizontal towing position
- 1,000 lb rated tongue load
- Ergonomic handle grip
- Fits tongues up to 3" thick x 3"-5" height
- 10" Vertical travel
- Heavy duty polypropylene wheel
- Side crank with heavy duty drive screw
- Zinc plated finish
- Heavy duty pivot joint
- Zerk fitting provided for convenient lubrication
- Mounting hardware and instructions included



**JACK CAPS**

- 88131 1,000 lb Side-wind
- 88132 2,000 lb Side-wind



PART#	CAPACITY	STROKE	OUTER TUBE	INNER TUBE	EXTENDED HEIGHT**	RETRACTED HEIGHT**
<b>TOP-WIND JACK</b>						
30774	1,000 lb	14-7/8"	2"	1-3/4"	23-3/8"	8-1/2"
88126*	1,000 lb	14"	2"	1-3/4"	23-3/8"	8-1/2"
30775	2,000 lb	14"	2-1/4"	2"	23-1/4"	9-1/4"
88127*	2,000 lb	14"	2-1/4"	2"	23-1/4"	9-1/4"
30780	5,000 lb	14-1/2"	2-1/4"	2"	25-1/2"	11"
88128*	5,000 lb	14-1/2"	2-1/4"	2"	25-1/2"	11"
<b>SIDE-WIND JACK</b>						
30781	1,000 lb	15-3/8"	2"	1-3/4"	24-1/4"	8-7/8"
30782	2,000 lb	15-3/8"	2"	2"	23-1/2"	9-1/8"
88130*	2,000 lb	15-3/8"	2"	2"	23-1/2"	9-1/8"
<b>SIDE-WIND SWIVEL JACK</b>						
30655	1,000 lb	N/A	2"	1-3/4"	N/A	N/A

\*These items are in bulk packaging. \*\*From the mounting plate.

**SCISSOR JACKS**

- Levels and stabilizes 5th wheel and travel trailers
- Constructed with durable steel and finished with rust-resistant black e-coating
- Designed for today's larger and heavier units
- Conveniently concealed when not in use
- Easy to install, extend and retract
- Large 26 square inch foot pad
- Bolt-on front and rear universal applications



**DRILL SOCKET ADAPTER**

- Enables faster raising and lowering of scissor jacks
- Fits all 3/4" hex drive jacks
- Durable, zinc-plated non-corrosive finish
- Made from steel for strength and durability
- Fits 3/8" and larger drill chucks

88120 Drill Socket Adapter



**Accessories:**

- 76850 Speed handle for 7,500 lb. jack
- 88123 Speed handle for 5,000 lb. jack
- 71195 Screw kit, 8/pkg

PART#	QUANTITY	MODEL	CAPACITY	HANDLE	LIFT	WEIGHT	RETRACTED HEIGHT**
<b>SCISSOR JACKS</b>							
76862*	Pair	Heavy Duty	7,500 lb (each)	Swivel	24"	12.3 lb (each)	4-5/16"
72139	Single	Heavy Duty	7,500 lb	Not included	24"	12.3 lb	4-5/16"
88124*	Pair	Standard	5,000 lb (each)	Non-swivel	30"	15.7 lb (each)	4-5/16"
88125	Single	Standard	5,000 lb	Not included	30"	15.7 lb	4-5/16"
88121*	Pair	Economy	5,000 lb (each)	Non-swivel	24"	10.2 lb (each)	4-5/16"
88122	Single	Economy	5,000 lb	Not included	24"	10.2 lb	4-5/16"
88134*	Pair	Leveling	5,000 lb (each)	Non-swivel	20"	10 lb (each)	4-5/16"
88135	Single	Leveling	5,000 lb	Not included	20"	10 lb	4-5/16"

\*Jacks packaged in pairs come with crank handles, mounting screws and instructions. Single jacks are individual replacements only.

**5TH WHEEL STABILIZERS**

- Reduces side-to-side and fore-to-aft movement of parked 5th wheels.
- Legs adjust to fit king pin heights from 34" to 56" (adjustable stabilizer) or 33" to 54" (non-adjustable stabilizer).
- Chain with S hook for quick and easy adjustments.
- Adjustable stabilizer features an adjustable, lockable hitch cup to fine-tune the height for a perfect fit and help prevent theft.
- Both have a maximum vertical load rating of 5,000 pounds.
- **No tools required!** Assemble feet and legs with lynch pins.

- 33162 Non-Adjustable 5th Wheel Stabilizer
- 33163 Adjustable 5th Wheel Stabilizer



Allows fine adjustment of king pin cup height up to 4-1/2".



**ECONOMY SLIDE-OUT STABILIZERS**

- Greater stability; reduces sag
- Prevent wear and tear and costly slide-out frame repairs
- Easy to operate; no assembly required
- Heavy duty steel construction
- Durable powder coat and zinc finish
- Includes a 5" foot pad, 2/box

- 81079 16-1/2" - 29-1/4"
- 81080 22-3/4" - 38-5/8"
- 81081 26-1/4" - 49-1/4"



Weight Rating: 5,000 lb per pair

**PLASTIC WHEEL CHOCKS**

- Use when vehicle is parked
- Prevents rolling when changing tires
- Durable, high impact plastic
- Cross-ribbed surface

- 95036 Wheel Chocks 6/pkg
- 38511 Wheel Chocks 2/pkg



**HUSKY ADAPTERS & CONNECTORS**



**7 Blade to 4 Flat**



**7-WAY RV BLADE TO 4 FLAT LED FLEX ADAPTER**

- LED lights verify electrical function
- Easy pull-grip design
- Includes dust cover and protective wire covering

30468 Flex-Adpt 7RV to 4 Flat w/Led

**7 Blade to 4 & 5 Flat**



**NITE-GLOW™ 7-WAY BLADE TO 4 & 5-WAY FLAT ADAPTER**

- Two towing options from one connector
- Illuminates upon taillight function to verify electrical continuity
- Includes dust covers

33401 7 Blade to 4 & 5 Flat Adapter

**7 Blade to 6 Round**



**7-WAY RV BLADE TO 6-WAY ROUND ADAPTER**

- Easy-pull grip and corrosion-resistant tin plated terminals
- Universal center pin can be switched to auxiliary or electrical brake
- Includes dust cover

30314 Center Pin Auxiliary

**7 Blade to 7 Round**



**7-WAY RV BLADE TO 7-WAY ROUND CONNECTOR ADAPTER**

- Flexible wire
- Features protective convoluted wire tubing

13064 7RV Blade To 7Pin Adapter

**7 Blade to 4 Flat**



**NITE-GLOW™ 7-WAY BLADE TO 4-WAY FLAT FLEX-COIL™ LED CONNECTOR**

- Illuminates upon taillight function to verify continuity
- Features tin plated terminals and easy-grip connectors
- Stretches to 3 feet

15181 Flex Coil Adapter W/Nite-Glow

**7 Blade to 4 Flat**



**7-WAY RV BLADE TO 4-WAY FLAT PLUG-IN SOLUTION® LED ADAPTER**

- LED lights verify electrical function
- Ergonomic one-piece design
- Impact and corrosion resistant
- Includes dust cover

15174 Adapter 7Rv Blade To 4Flat Led

**7 Blade to 4 Flat**



**7-WAY RV BLADE TO 4-WAY FLAT ADAPTER**

- Ergonomic one-piece design
- Impact and corrosion resistant
- Includes dust cover

30313 7Blade to 4Flat Adapter

**7 Blade Specialty**



**NITE-GLOW™ 7-WAY BLADE TO 4 OR 6-WAY ROUND FLEX-COIL™ LED CONNECTORS**

- Illuminates upon taillight function to verify continuity
- Features tin plated terminals and easy-grip connectors
- Stretches to 8 feet

30500 7RV Male To 4Rd Male Flex Adpt



30501 7RV Male To 6Rd Male Flex Adpt

**7 Blade Specialty**



**MULTI-TOW™ 7-WAY RV BLADE TO 6-WAY ROUND & 4-WAY FLAT ADAPTER**

- Two towing options from one connector
- Universal center pin can be switched to auxiliary or electrical brake
- Includes dust cover

13176 7 to 6&4 Multi-Tow (Center Pin Auxiliary Power)  
13177 7 to 6&4 Multi-Tow (Center Pin Electric Brake)

**7 Blade to 4 Flat**



**7-WAY RV BLADE TO 4-WAY FLAT CONNECTOR ADAPTER**

- Flexible wire
- Includes dust cover and protective wire covering

13170 7Blade To 4Flat Adapter

**7 Blade to 5 Flat**



**7-WAY RV BLADE TO 5-WAY FLAT ADAPTER**

- For use with marine trailers equipped with surge brakes
- Includes dust cover
- Enhanced weatherproofing

30692 Adapter 7Blade To 5Flat

**7 Blade to 5 Flat**



**7-WAY RV BLADE TO 4 & 5-WAY FLAT ADAPTER**

- Two towing options from one connector
- Includes dust covers

14437 Adapt Multi Tow 7 to 5 4

**7 Blade Specialty**



**MULTI-TOW™ 7-WAY RV BLADE TO 6-WAY ROUND AND 4 & 5-WAY FLAT ADAPTER**

- Four towing options from one connector, no cutting or splicing
- Features tin plated terminals and easy-grip connectors
- Includes overbuilt hinge, lid, connector housings and grease packet

30484 Adapter 7Rv To 4&5 Flat

**7 Round to 4 Flat**



**7-WAY ROUND TO 4-WAY FLAT ADAPTER**

- Impact and corrosion resistant
- Easy-pull grip
- Includes dust cover

30341 Adapter 7Pin to 4Flat

**7 Round Specialty**



**SPECIALTY ADAPTER EXPANSION**

- Flexible wire
- Features protective convoluted wire tubing

15253 Adapter 7Pin To 7RV

**7 Round Specialty**



**SPECIALTY ADAPTER EXPANSION**

- Flexible wire
- Set for auxiliary power

15258 Adapter 7Pin To 6 Round

**6 Round to 4 Flat**



**6-WAY ROUND TO 4-WAY FLAT ADAPTER**

- Impact and corrosion resistant
- Easy-pull grip
- Includes dust cover

30315 Adapter 6Round To 4Flat

**6 Round to 4 Flat**



**6-WAY ROUND TO 4-WAY FLAT CONNECTOR ADAPTER**

- Flexible wire
- Includes dust cover

13168 6Round To 4Flat Adapter

**HUSKY VEHICLE SIDE CONNECTORS**



**6 Round Specialty**



**6-WAY ROUND TO 7-WAY RV BLADE ADAPTER**

- Flexible wire
- Die cast zinc 6-way pin
- Corrosion-resistant terminals

30693 6 Round to 7 Blade

**4 Flat to 4 Flat Extensions**



**4 WIRE FLAT EASY-PULL™ CONNECTORS**

- Hassle-free connection and disconnection
- Ergonomic finger pull
- LED option verifies electrical function

33060 4 Flat Extension (48")  
33066 LED 4 Wire Flat Extension (12")

**4 Flat to 4 Flat Extensions**



**4 WIRE FLAT EXTENSION HARNESS**

- Ergonomic one-piece design
- Impact and corrosion resistant

30170 18"L,Bulk  
30280 12"L, 1/card  
30312 12"L,Bulk

**7 Blade**



**ENDURANCE™ MULTI-TOW® 4-WAY FLAT TO 7-WAY BLADE & 4-WAY FLAT CONNECTOR**

- Multiple towing options from one connector
- Impact and corrosion-resistant
- Easy-open, weatherproof lid opens 180 degrees
- Mounting bracket and grease packet included

33061 MT 7 Blade & 4 Flat 1/card

**7 Blade**



**MULTI-TOW™ 7-WAY RV BLADE, 4 & 5-WAY FLAT CONNECTOR**

- Multiple towing options from one connector
- Impact and corrosion-resistant
- Easy-open, weatherproof lid opens 180 degrees
- Mounting bracket and grease packet included

30498 7 to 4&5 Flat Multi-Tow Adapter

**7 Blade**



**7-WAY RV BLADE PLASTIC TRAILER CONNECTOR CAR END**

- Impact and corrosion-resistant
- Weatherproof design

30015 Car End, 1/Card

**4 Flat to 7 Blade**



**4-WAY FLAT TO 7-WAY BLADE ADAPTER**

- Flexible wire
- Includes dust cover and protective wire covering

13166 Plastic, Each

**4 Flat Specialty**



**MULTI-TOW™ 7:4 ADAPTER**

- Weatherproof design
- Includes dust cover and mounting bracket

13165 4 to 7:4 Multi-Tow Harness

**4 Round to 4 Flat**



**4-WAY ROUND TO 4-WAY FLAT CONNECTOR ADAPTER**

- Flexible wire
- Includes dust cover

13173 4Round to 4Flat Adapter

**7 Blade Specialty**



**HARNESS ADAPTER: DODGE / CHRYSLER / JEEP OEM QUICK-INSTALL™ WIRING KIT**

- With Quick-Install™ connector
- Easy-open, weatherproof lid opens 180 degrees

30406 Harness Adapter 7Way

**7 Blade Specialty**



**ENDURANCE™ MULTI-TOW® 7-WAY BLADE & 4-WAY FLAT GM TWIST-MOUNT CONNECTOR**

- Multiple towing options from one connector
- Impact and corrosion-resistant
- For use with over 30 different vehicle applications equipped with a factory tow package

33057 MT 7 Blade & 4 Flat 1/card



TOWING

TOWING

**7 Blade Specialty**



**ENDURANCE™ MULTI-TOW® 7-WAY BLADE & 4-WAY FLAT VEHICLE 4-HOLE MOUNT CONNECTOR**

- Multiple towing options from one connector, connects to OEM connector
- Impact and corrosion-resistant
- For use with over 30 different vehicle applications equipped with a factory tow package

33058 MT 7 Blade & 4 Flat 1/card

**7 Round**



**7-WAY ROUND METAL CAR END CONNECTOR**

- Made of heavy duty die-cast zinc
- Impact and corrosion-resistant

30465 7 Pole Rd Car End (Metal)

**7 Blade**



**7-WAY BLADE FORD/CHEVY/GMC OEM REPLACEMENT CONNECTOR**

- Plug-In Simple® allows quick and easy installation
- Durable lid opens 180 degrees
- Weatherproof design

30175 Socket Uscar 7-Way

**7 Blade**



**ENDURANCE™ 7-WAY RV BLADE FORD/CHEVY/GMC OEM REPLACEMENT CONNECTOR**

- Plug-In Simple® allows quick and easy installation
- Durable lid opens 180 degrees
- Premium, Weatherproof design

32564 Connect 7-Way Prem Car End

**6 Round**



**6 POLE VEHICLE END**

- Made of heavy duty die-cast zinc
- Impact and corrosion-resistant

32568 Connector 6-Way Znc Car Bulk

**5 Flat**



**ENDURANCE™ 5 WIRE VEHICLE SIDE**

- Protective nylon wire sleeve and heat-shrink tubing
- Heavy duty connector housing with built-in mounting holes
- Includes molded-in dust cover

30485 5 Flat Vehicle Side (48")

**4 Flat**

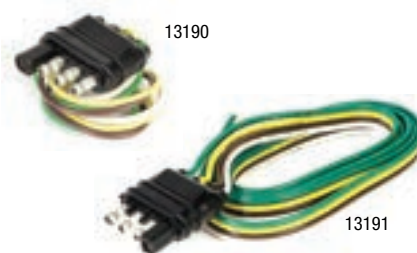


**4 WIRE FLAT EASY-PULL™ CONNECTORS**

- Hassle-free connection and disconnection
- Ergonomic finger pull
- LED option verifies electrical function

33062 4 Flat Vehicle Side (48")  
33063 LED 4 Flat Vehicle Side (48")

**4 Flat & Connector Sets**



**4 WIRE FLAT EXTENSION CAR END CONNECTORS**

- For use with small boats, jet skis, snowmobiles and small camper trailers

13190 Car End, 12"  
13191 Car End, 48"



**HUSKY TRAILER SIDE CONNECTORS**



**7-Way Junction Box**



**7-WAY JUNCTION BOX**

- Easy color-coded and labeled wire terminals
- Molded-in strain relief for cables
- Rugged weather-resistant, nylon housing
- Open and closed rubber grommets included

33200 7-Way Junction Box

**7 Blade**



**7-WAY RV BLADE TRAILER END METAL CONNECTOR WITH BRACKET**

- Ergonomic pistol grip for easy handling
- Includes terminal grease and mounting bracket
- Die cast housing for durability and weatherproofing

30499 7RV Trailer End Conn (Metal)

**7 Blade**



**7-WAY BLADE TRAILER END CONNECTOR WITH LED TEST**

- LED lights illuminate to confirm electrical continuity
- 6 foot long wire is heavily insulated with jacketed wire sleeving
- Easy pull-grip design

33402 7 Blade Trailer End Conn w/LED Test

**7 Blade**



**MULTI-TOW® 7-WAY BLADE AND 4-WAY FLAT LED CONNECTOR**

- LED illuminates to verify wiring continuity
- Confirms your trailer connection

33068 LED 7 Blade Trailer 1/card

**7 Blade**



**NITE-GLOW™ 7-WAY BLADE TRAILER END LED CONNECTOR**

- Illuminates upon taillight function to verify continuity
- Confirms your trailer connection

33067 NG 7 Blade Trailer 1/card

**7 Blade**



**7-WAY RV BLADE METAL TRAILER CONNECTOR**

- Made with aluminum housing
- Corrosion-resistant terminals

32427 7-Way Metal Trl End Bulk

**7 Blade**



**7-WAY RV BLADE TRAILER CONNECTOR END**

- Impact and corrosion resistant
- Easy-pull grip design

30135 Trailer End, 1/card  
30140 Trailer End, Bulk

**7 Blade**



**7-WAY TRAILER END CONNECTOR WIRING KIT**

- Made from heavy duty rubber
- Fits with thermostatic or metal 7-Way car-end connectors
- UL approved

19356 With 8' Cable

**Connector Sets**



**4 WIRE FLAT EXTENSION SET (48" VEHICLE END, 12" TRAILER END CONNECTORS)**

- Wire functions printed on wire for easy reference
- Ridges on body add extra grip
- Corrosion-resistant terminals

30227 Connector 4-Way Flat 56" Kit



30247 Connector 4-Way Flat 60" Kit

**LED Tester Keychain**



**4 WIRE FLAT LED TESTER KEYCHAIN**

- LED indicator lights test left or right turn, brake and taillight
- Red LED lights will glow if connection is correct when the function is activated

30178 Circuit Tester 4-Way Flat

**6 Round**



**6-WAY TRAILER END CONNECTOR**

- Made of die-cast zinc for durability
- Impact and corrosion resistant

32569 Connector 6-Way Zinc Trl Bulk

**5 Flat**



**ENDURANCE™ 5 WIRE TRAILER SIDE**

- Protective nylon wire sleeve and heat-shrink tubing
- Easy pull grip design
- Includes printed wire functions and molded-in dust cover

30486 5 Flat Trailer Side (18")

**4 Flat & Connector Sets**

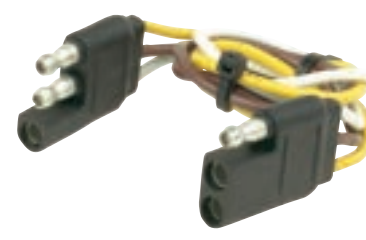


**4 WIRE FLAT EASY-PULL™ CONNECTORS**

- Hassle-free connection and disconnection
- Ergonomic finger pull
- LED option verifies electrical function

33064 4 Flat Trailer Side (12")  
33065 LED 4 Flat Trailer Side (12")

**Specialty Connectors**



**3 WIRE FLAT EXTENSION HARNESS**

- Multi-use, male and female connectors
- 2 function wires with 1 ground wire

30311 Connector 3-Way Flat Bulk

**Specialty Connectors**



**HUSKY 2 POLE IN-LINE SET**

- Allows for any length wires to be attached and set in protective rubber boot
- Easy install to rear of connector, commonly on 12V accessories
- Corrosion-resistant tin-plated terminals

30258 Connector 2-Pin Round

**Specialty Connectors**



**2 WIRE FLAT EXTENSION HARNESS**

- Multi-use positive or negative mating connectors
- Corrosion-resistant tin-plated terminals
- Wire can be cut to provide 2 replacement plugs or a plug-in connection for a hardwired accessory

30310 Connector 2-Way Flat Bulk  
30259 Connector 2-Way Flat Pkg/2

TOWING

TOWING

**4 Flat & Connector Sets**

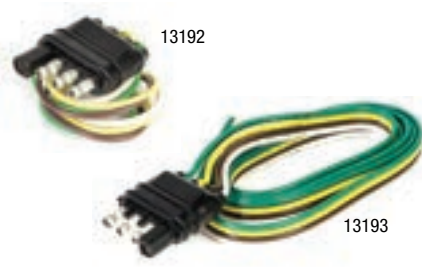


**4 WIRE FLAT TRAILER END WITH Y-HARNESS**

- Easy pull-grip
- Features protective wire sleeve and corrosion-resistant terminals
- Heavy duty housing with built-in mounting holes

30495 4 Wire Flat Trailer End, 12"  
30496 4 Wire Flat Trailer End W/Y-Harness, 20'

**4 Flat & Connector Sets**



**4 WIRE FLAT EXTENSION TRAILER END CONNECTORS**

- For use with small boats, jet skis, snowmobiles and small camper trailers

13192 Trailer End, 12"  
13193 Trailer End, 48"

**Connector Storage**



**UNIVERSAL CONNECTOR STORAGE KIT**

- Protects trailer connector from dirt, dust, the weather and UV damage
- Adjustable straps to fit 2" – 2-1/4" jacks with round tubes, including Super Brute & Brute jacks
- Fits 7-pin and 9-pin trailer connectors

81497 Universal Connector Storage Kit

**Towing Lights**



**MAGNETIC TOWING LIGHTS**

- Wired to industry standard 4-Way flat connector
- Includes tow vehicle hook-up plug and 20' cord
- Features e-coated magnet cap and plug cover for dust, corrosion, and rust-resistance

17929 Magnetic Towing Lights





**HUSKY WIRING EXTRAS**



**Mounting Brackets**



**UNIVERSAL MOUNTING BRACKET**

- Works with all 7 RV blade vehicle side connectors
- Fits Multi-Tow® and Endurance™ 6 pole round vehicle side connectors
- Slotted bracket for easy prewired installation

33069 Universal Bracket 1/card

**Specialty Connectors**



**MULTI-TOW™ 7:4 ADAPTER**

- Weatherproof design
- Includes dust cover, cable ties, mounting bracket, and grease packet

13092 7 to 7:4 Multi-Tow Adapter

**Specialty Connectors**



**MULTI-TOW™ 7:4 ADAPTER**

- Utilizes OEM connectors
- 2 door connector protection provides weatherproof design
- Includes mounting bracket

17363 Husky Multi Tow 7:4 OEM Repl

**Specialty Connectors**



**MULTI-TOW® 7-WAY BLADE & 4-WAY FLAT CONNECTOR**

- Exact OEM replacement for enhanced fit and weatherproofing
- Constructed with high impact ABS plastic featuring 2 door connector protection
- Designed to fit OEM cutout, mounting bracket not included

33059 MT 7 Blade & 4 Flat 1/card  
33072 MT 7 Blade & 4 Flat Bulk

**Mounting Brackets**



**CONNECTOR MOUNTING BRACKETS**

- For use with 7 RV blade and 6 pole round vehicle end socket
- Bolt-on installation
- 90 degree bend

32582 Trailer Wiring Connector Mtg Bracket, Bulk

**Mounting Brackets**



**CONNECTOR MOUNTING BRACKET**

- For use with 4-way connector
- Folds over connector and attaches to vehicle bumper for secure fit
- Includes hardware and dust cover

33400 Connector Mtg Bracket

**Taillight Converters**



**POWER TAILLIGHT CONVERTER (RELAY SYSTEM)**

- Provides isolation needed to bypass sensitive vehicle electronics
- Power is taken directly from the battery for isolation and brighter trailer taillights

13162 Pwr Taillight Conv

**5th Wheel**



**FIFTH WHEEL HARNESSES**

- Route electrical functions to the truck bed for 5th wheel trailers
- Reinforced 90 degree angle
- Plugs into OEM wiring system

30342 5th Wheel Harness 10', Ford/GM & 2010+ Ram  
30345 5th Wheel Harness 10', 00-09 Ram  
30392 5th Wheel T-Connector

**Break-Away Switches**

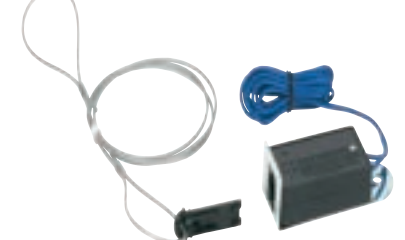


**LED BREAK-AWAY SWITCH**

- LED verifies 12V power transfer to trailer brakes
- Features durable pin and vehicle hookup cable
- 44" coated lanyard

30462 LED Breakaway Switch, Bulk, 2 per pack

**Break-Away Switches**



**BREAK-AWAY SWITCH (44" WIRES)**

- Features durable nylon pin and vehicle hookup cable
- 44" coated lanyard and mounting bracket included

30457 Brake-Away Switch, Bulk

**Taillight Converters**



**SHORT-PROOF POWER TAILLIGHT CONVERTER**

- Protects tow vehicle electronics and itself from wiring shorts, self-resetting
- Power is taken directly from the battery for isolation and brighter trailer taillights
- Power up to 8.0 Amps per output

13163 Short Proof Pwr Conv

**Taillight Converters**

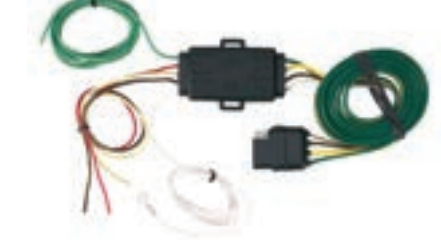


**TAILLIGHT CONVERTER, 48"**

- Adapts an independent bulb taillight system of the tow vehicle to the common bulb taillight system
- With integrated circuit protection
- 2.1 Amps per output

13186 Tail Light Conv

**Taillight Converters**



**LED COMPATIBLE TAILLIGHT CONVERTER**

- Adapts tow vehicles taillight system to the trailer, mounted in trunk
- Double molded, weatherproof design includes dust covers and corrosion-resistant terminals
- Powers up to 2.1 Amps

30428 Tail Light Conv Husky

**Splice-In Diodes**



**VEHICLE TOWING VEHICLE TAILLIGHT ISOLATING KIT**

- Permanently installs on towed vehicle near headlights
- Includes converter and isolators

13189 Traditional Splice-In Diodes 4pk

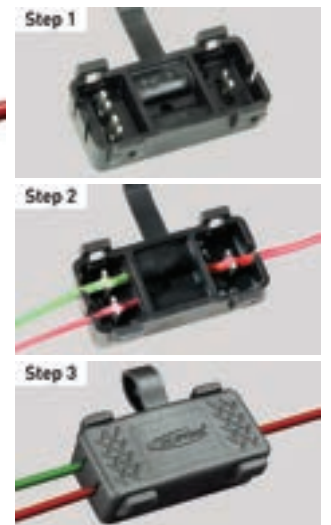
**Splice-In Diodes**



**QUICK-LOCK DIODES™**

- Saves installation time over traditional diode blocks
- 5 Amp capacity
- Enhanced weatherproofing

33070 Quick Lock Diodes 4/card  
33071 Quick Lock Diodes 1/card



**TOWING**



**ASCEND®  
FLEXIBLE MOUNT  
PROPORTIONAL  
TRAILER BRAKE CONTROL**

Husky Ascend puts your trailer brake control within easy reach so you can safely keep your eyes on the road. The modular design lets you mount the LED display and controller wherever they are most accessible to you, while the system's electronic brain is mounted out of sight.

- Advanced proportional control technology mirrors the braking action of the tow vehicle
- On-the-fly sensitivity adjustment with 7 settings for different loads and driving conditions



**1. LED DISPLAY**

Can be located directly within your field of vision for optimal viewing

- Compact size mounts independent of the other two components for better placement
- Mounts to dash for safer heads-up viewing
- Wiring is hidden and routed on the A-pillar
- Adjustable to set driver's best viewing angle



**2. MANUAL BRAKE CONTROL**

Mount within easy reach of either hand

- Use the manual slide to activate the brakes
- Mount for either right or left hand dexterity
- Slide indicators are back-lit and glow at night for easier visibility



**3. ELECTRONIC BRAIN**

Can be mounted completely out of sight

- Inertia and brake pedal activation
- Dual-axis accelerometer with forward and reverse proportional/progressive braking
- 8-brake capacity
- Short protected
- Mounts under dash to multiple surface types 360° vertical and 10° horizontal range
- Requires no leveling
- Quick-connect plug included



31624 Ascend w/ Connector, 8 Brakes

**QUEST®  
PROPORTIONAL  
TRAILER BRAKE CONTROL**

- Proportional brake control mirrors the braking action of the vehicle. Quest comes with a simple plug-in connector allows for instant connection to your factory tow package.
- Digital power level (gain) and sensitivity (response) settings for precise and easy setup
- On-the-fly sensitivity adjustment; 5 preset options for optimal control from the touch of a button
- Easy-to-adjust for full or empty loads
- Digital power scale from 5-to-99
- Advanced inertial accelerometer instantly activates brakes
- Ergonomic vertical slide is easy to use
- 8 brake capacity
- Short protected

31899 Quest Brake Control w/Connector, 8 Brakes



**ESCORT®  
DIGITAL  
TIME-RAMP  
TRAILER BRAKE CONTROL**

- Time-ramp braking is activated by brake pedal. Escort Digital comes with a simple plug-in connector allows for instant connection to your factory tow package and a large digital readout.
- Power settings are easy to set and adjust
- Ergonomic vertical slide is easy to use
- Exact brake force is displayed digitally as a percentage of full power
- 6-brake capacity
- Short protected

31898 Escort Brake Control w/Connector, 6 Brakes



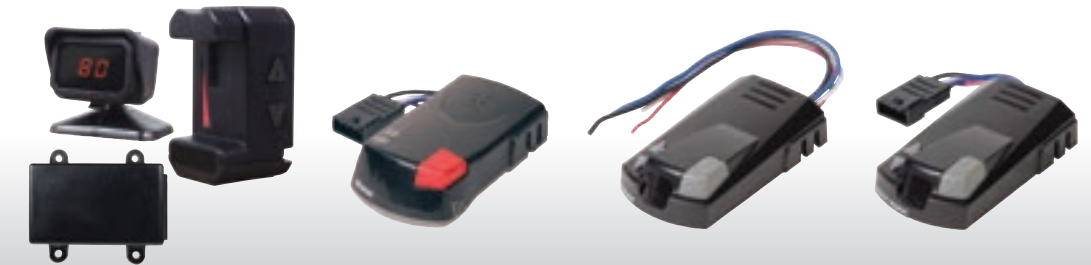
**ESCORT®  
TIME-RAMP  
TRAILER BRAKE CONTROL**

- Multi-color LED display changes color with braking power, to help you set the right braking power
- Innovate vertical slide for manual braking.
- Activates upon depression of the tow vehicle brake pedal
- Mount in any position vertically or horizontally
- 6 brake capacity
- Short protected

31555 Escort Brake Control w/o Connector, 6 Brakes



**BRAKE CONTROL SPECIFICATIONS**



	<b>ASCEND®</b>	<b>QUEST®</b>	<b>ESCORT®</b>	<b>ESCORT® DIGITAL</b>
<b>PART#</b>	<b>31624</b>	<b>31899</b>	<b>31555</b>	<b>31898</b>
Braking Application	Proportional/Progressive	Proportional/Progressive	Preset Braking	Preset Braking
Braking Capacity	8	8	6	6
Braking Display	Digital	Digital	Multi-Color Bulb	Digital
Braking Output	% of Braking Capacity	% of Braking Capacity	Color = Braking Intensity	% of Braking Capacity
Flexible Mounting Options	Yes	No	Yes	Yes
Quick Connect Plug	Yes	Yes	No	Yes
Trailer Brake Short Notification	Yes	Yes	No	Yes
Electric Over Hydraulic	Yes	Yes	No	Yes
Custom Brake Settings	7	5	Fixed	Fixed
Warranty	Limited Lifetime	Limited Lifetime	Limited Lifetime	Limited Lifetime



**HUSKY® CUSTOM WIRING HARNESSES FOR BRAKE CONTROLS**

For the Husky Quest®, Escort® Digital and Ascend®. Look for the full line of Husky® custom wiring harnesses. These fit all Husky® brake controls that have a similar shaped plug. Simply attach the adapter to the Husky® brake control. The safest/easiest way to wire a brake control to your tow-prepped vehicle. Clamshell packed. Use appropriate wiring harness for quick brake control installation.



MAKE / MODEL	YEARS	PLUG TO PLUG PART#	OEM TO BARE WIRES PART#
<b>BUICK</b>			
Enclave	08-21	31871	N/A
<b>CADILLAC</b>			
Escalade	03-06	31866	31691
	00-02	31865	N/A
Escalade / EXT / ESV	14-20	32253	N/A
<b>CHEVROLET</b>			
Avalanche	03-06	31866	31691
	2002	31865	N/A
Silverado (Classic)	2007	31866	31691
Silverado	03-06	31866	31691
	99-02	31865	N/A
Silverado 1500 / 2500 / 3500	15-19	32253	N/A
Suburban	03-06	31866	31691
	00-02	31865	N/A
Suburban 1500 / 2500 / 3500	15-20	32253	N/A
Suburban 3500 HD	15-19	32253	N/A
	15-20	32253	N/A
Tahoe	03-06	31866	31691
	00-02	31865	N/A
Traverse	13-20	31871	N/A
<b>CHRYSLER</b>			
Aspen	07-09	31864	31687
<b>DODGE</b>			
Dakota	97-11	31864	31687
Durango w/ tow pkg.	11-20	30012	N/A
	98-09	31864	31687
Ram 1500	2009	31869	31870
	15-21	33038	N/A
	13-14	32079	32080
Ram Pickup w/ tow pkg.	95-09	31864	31687
	10-12	31869	31870
<b>FORD</b>			
Bronco	94-96	31860	31689
E-150 / 250 / 350	09-15	31863	30013
E-350 / 450 RV	09-11	31863	30013
Econoline Van	92-08	31860	31689
Excursion	00-05	31860	31689
	15-20	31862	N/A
Expedition	13-14	31863	30013
	97-12	31860	31689
Explorer	01-20	31860	31689
F-150	09-20	31862	N/A
	94-08	31860	31689
F-250 / 350	05-16	31863	30013
F-250 / 350	94-04	31860	31689
F-250 / 350 / 450 / 550	17-22	31862	N/A
F-450 / 550	08-16	31863	30013
	05-07	31861	N/A
F-53 Motor Home Chasis	00-14	31860	31689
Flex	12-19	31862	N/A
	06-11	31860	31689
Transit Van 150 / 250 / 350	15-20	31863	30013
Windstar	95-0	31860	31689
<b>GMC</b>			
Acadia	07-22	31871	N/A
Acadia Limited	2017	31871	N/A
Sierra Denali	14-19	32253	N/A
Sierra Denali	03-06	31866	31691
Sierra Denali	99-02	31865	N/A
Sierra (Classic)	2007	31866	31691

MAKE / MODEL	YEARS	PLUG TO PLUG PART#	OEM TO BARE WIRES PART#
<b>GMC</b>			
Sierra	03-06	31866	31691
	99-02	31865	N/A
Sierra 1500 / 2500 / 3500	14-22	32253	N/A
Yukon / Yukon XL	15-20	32253	N/A
Yukon	03-06	31866	31691
	00-02	31865	N/A
<b>HONDA</b>			
Pilot	06-21	31868	30010
Ridgeline	17-19	31868	30010
	06-14	31868	30010
<b>HUMMER</b>			
H2	03-07	31866	31691
H2 SUT	05-07	31866	31691
<b>INFINITI</b>			
QX56	04-15	31858	N/A
QX60	14-19	31858	N/A
QX80	14-21	31858	N/A
<b>JEEP</b>			
Grand Cherokee w/ tow pkg.	11-20	30012	N/A
<b>LAND ROVER</b>			
LR3	05-09	31860	31689
LR4	10-16	31860	31689
Range Rover	10-21	31860	31689
Range Rover HSE	2016	31860	31689
	05-09	31860	31689
Range Rover Evoque	12-16	31860	31689
<b>LEXUS</b>			
GX 460	10-18	31867	31697
GX 470	03-11	31867	31697
LX 470	03-07	31867	31697
LX 570	08-11	31867	31697
	13-18	31867	31697
<b>LINCOLN</b>			
Mark LT	07-08	31860	31689
MKT	12-19	31862	N/A
	10-11	31860	31689
Lincoln Navigator	15-20	31862	N/A
	13-14	31863	30013
	98-12	31860	31689
<b>MERCURY</b>			
Mountaineer	00-11	31860	31689
<b>NISSAN</b>			
Armada	2017	31858	N/A
	04-20	31858	N/A
Frontier	04-19	31858	N/A
NV Van	12-20	31858	N/A
Pathfinder	05-20	31858	N/A
Titan	04-19	31858	N/A
Titan XD	16-19	31858	N/A
Xterra	04-13	31858	N/A
<b>SATURN</b>			
Outlook	07-09	31871	N/A
<b>TOYOTA</b>			
4-Runner	03-22	31867	31697
Land Cruiser	13-15	31867	31697
	03-11	31867	31697
Sequoia	03-19	31867	31697
Tacoma	05-15	31867	31697
Tundra	03-14	31867	31697

**HUSKY® ELECTRIC BRAKE ASSEMBLIES FOR AXLE TEK, DEXTER, FAYETTE, HAYES & ALKO ELECTRIC BRAKES**

Save time and money by installing Husky Brake Assemblies. Why replace shoes, magnets, springs, adjusters, etc.? If you have to replace two or more of these components, it is easier and more economical to install the complete assembly. With Husky, you get back on the road fast! Reduce precious time and aggravation on difficult brake repairs by using Husky easy to install complete brake assemblies. These CSA certified kits provide durability, and reliability in braking performance. These kits fit Axle Tek, Dexter, Fayette, and Hayes, with these flange patterns: 3" hole diameter x 4-holes x 4" bolt center on 7" and 10" brakes; 3.25" hole diameter x 5-holes x 3.88" bolt center on 12" brakes. All kits are individually boxed.



30788 (Front)



30788 (Back)

**ELECTRIC BRAKE ASSEMBLIES**

**7" x 1.25", 600-2,200 lb Rated Axle Capacity**

- 30789 Complete Brake Assembly LH
- 30788 Complete Brake Assembly RH (shown at left)

**10" x 2.25", 2,300-3,500 lb Rated Axle Capacity**

- 30793 Complete Brake Assembly LH
- 30794 Complete Brake Assembly RH

**12" x 2", 4,000-6,000 lb Rated Axle Capacity**

- 30799 Complete Brake Assembly LH
- 30800 Complete Brake Assembly RH

**12" x 2", 7,000 lb Rated Axle Capacity**

- 30797 Complete Brake Assembly LH
- 30798 Complete Brake Assembly RH

**HUSKY® HYDRAULIC BRAKE ASSEMBLIES FOR AXLE TEK, ATWOOD, ALKO, DEXTER HYDRAULIC BRAKES**

Easy installation and interchangeability are just two features that rate Husky Uni-servo hydraulic brake assemblies among the best in the industry. These assemblies interchange with most major brands of axles, without modifying the axle or mounting flange. These assemblies also interchange with Atwood, Axle Tek, and Dexter hydraulic brake assemblies. Hub Pattern: 3" x 4-holes on 10" brakes; 3.25" x 5-holes on 12" brakes. All assemblies are individually boxed.



30786

**HYDRAULIC BRAKE ASSEMBLY KITS**

**10" x 2.25", 3,500 lb Rated Axle Capacity**

- 30785 Complete Brake Assembly LH, Black Painted
- 30784 Complete Brake Assembly RH, Black painted

**12" x 2", 6,000 lb Rated Axle Capacity**

- 30786 Complete Brake Assembly LH, Black Painted (shown at left)
- 30787 Complete Brake Assembly RH, Black painted



**HUSKY® ELECTRIC BRAKE ASSEMBLY FOR AXLE TEK OR DEXTER**

Complete assembly. Fits or replaces Axle Tek or Dexter. All assemblies are individually boxed.

**ELECTRIC BRAKE ASSEMBLY**

**10" x 2.25", 4,400 lb Rated Axle Capacity**

- 32559 Complete Brake Assembly LH, Standard Wire (Red) (shown at right)
- 32560 Complete Brake Assembly RH, Standard Wire (Red)



32559

**HUSKY® SELF-ADJUSTING ELECTRIC BRAKE ASSEMBLIES FOR AXLE TEK OR DEXTER**

Complete assembly. Fits or replaces Axle Tek or Dexter. All assemblies are individually boxed.

**SELF-ADJUSTING ELECTRIC BRAKE ASSEMBLIES**

**10" x 2.25", 3,500 lb Rated Axle Capacity**

- 32288 Complete Brake Assembly LH
- 32289 Complete Brake Assembly RH

**10" x 2.25", 4,400 lb Rated Axle Capacity**

- 32561 Complete Brake Assembly LH, Standard Wire (Red) (shown at right)
- 32562 Complete Brake Assembly RH, Standard Wire (Red) (shown at right)

**12" x 2", 6,000 lb Rated Axle Capacity**

- 32292 Complete Brake Assembly LH
- 32293 Complete Brake Assembly RH

**12" x 2", 7,000 lb Rated Axle Capacity**

- 32290 Complete Brake Assembly LH
- 32291 Complete Brake Assembly RH



32561



32562

**HUSKY® ELECTRIC BRAKE ASSEMBLY FOR AXLE TEK OR DEXTER**

- Automotive-grade friction material molded to brake shoes
- Pads are fully bonded to shoes for long life and more braking torque
- Less chance of cracking and crumbling that can lead to mechanical lockup, thanks to tapered edge and circular grinding
- E-coated backing plate resists wear and corrosion

Complete assembly. Fits or replaces Axle Tek or Dexter. All assemblies are individually boxed.

**ELECTRIC BRAKE ASSEMBLY**

**12.25" x 3.375", 4-Bolt, 8,000 lb Axle Capacity**

- 33074 Complete Brake Assembly LH, Standard Wire (Red) (shown at left)
- 33095 Bulk, Brake Assembly LH
- 33075 Complete Brake Assembly RH, Standard Wire (Red)
- 33096 Bulk, Brake Assembly RH



33074

**HUSKY® GENERAL DUTY SELF-ADJUSTING ELECTRIC BRAKE ASSEMBLIES FOR AXLE TEK OR DEXTER**

Complete assembly. Fits or replaces Axle Tek or Dexter. All assemblies are individually boxed.

**SELF-ADJUSTING ELECTRIC BRAKE ASSEMBLIES**

**12.25" x 3.375", 7-Bolt, 10,000 lb Axle Capacity**

- 33076 Complete Brake Assembly LH, Standard Wire (Red) (shown at left)
- 33077 Complete Brake Assembly RH, Standard Wire (Red) (shown at left)

**12.25" x 5", 7-Bolt, 12,000 lb Axle Capacity**

- 33078 Complete Brake Assembly LH, Standard Wire (Red)
- 33079 Complete Brake Assembly RH, Standard Wire (Red)



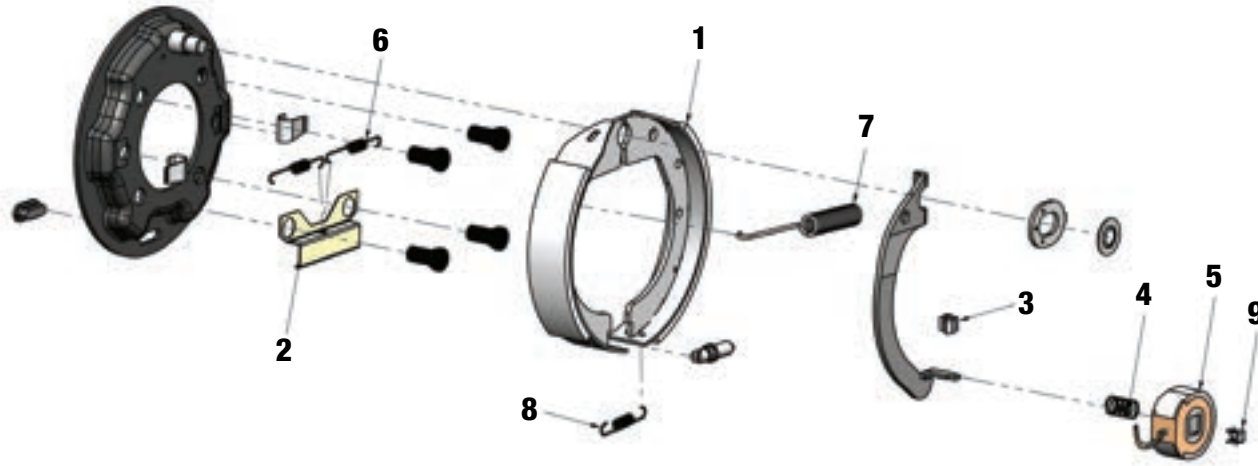
33076



33077

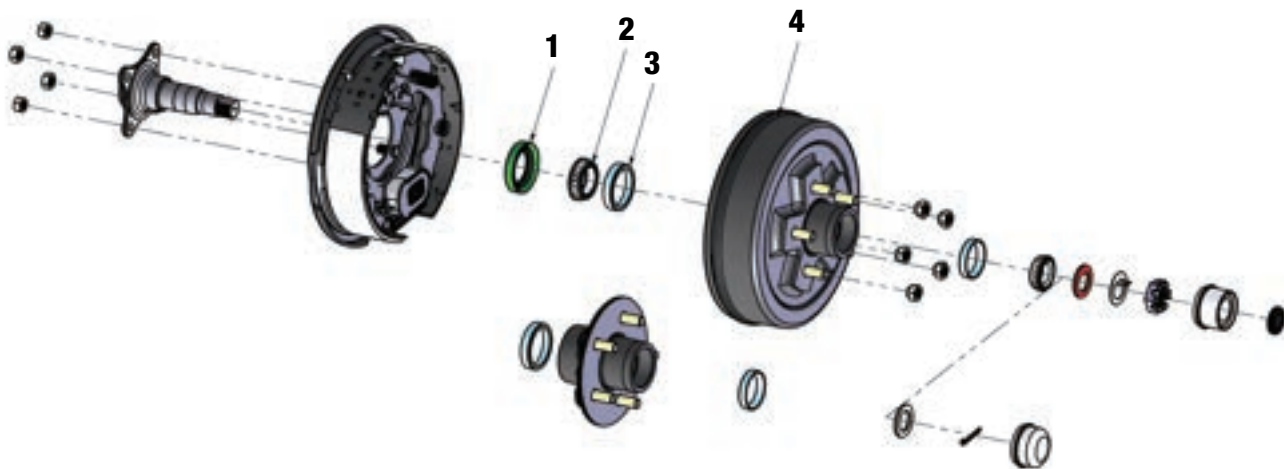
**QUALITY REPLACEMENT PARTS AXLE TEK, DEXTER - 7" X 1.25" Electric Brakes**

CSA Compliant



Ref.	Husky Part #	Mfr./Axel Tek#	Dexter #	Description
		<b>REPLACES</b>		
	30789	#KB7E-01	K23-047-00	Complete Brake Assembly LH
	30788	#KB7E-02	K23-048-00	Complete Brake Assembly RH
1, 2	30816	#KB7E-05	K71-045-00	Shoe/Lining Kit
3, 4, 5	30817	#KB7E-06	K71-057-00	Magnet Kit
4, 6, 7, 8	30824	#KBE-363-00	K71-363-00	Spring Kit
9	30830	#KBE-321-00	5121	Retainer Clip Pkg/10

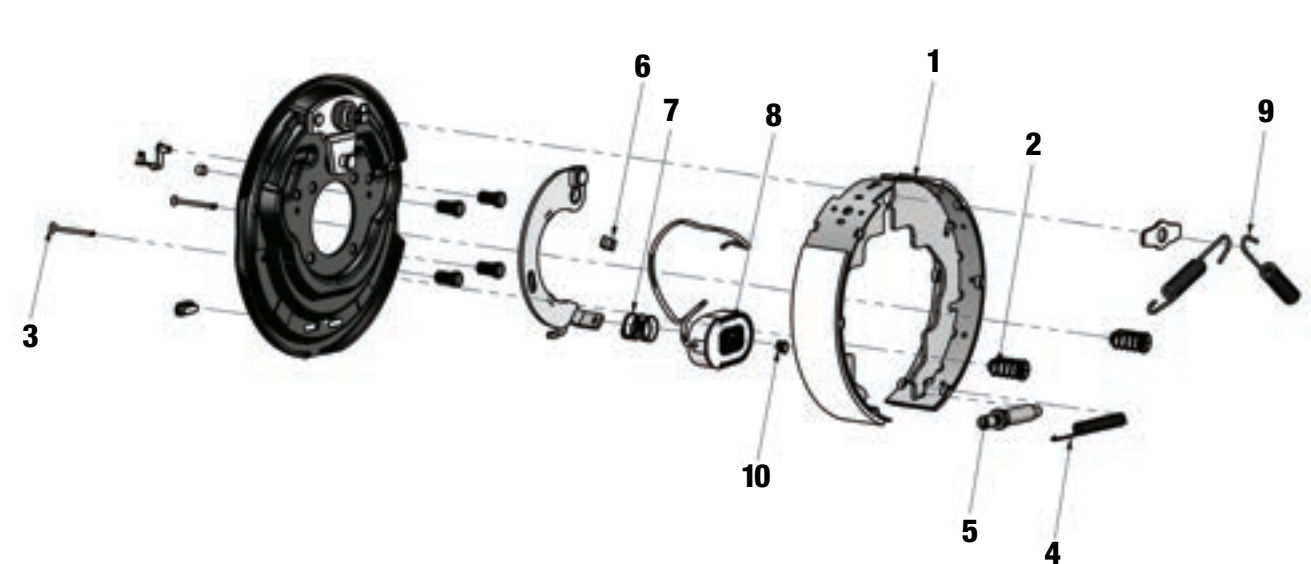
**QUALITY REPLACEMENT PARTS AXLE TEK, DEXTER - 7" X 1.25" & 7" X 1.75" Hubs-Drums & Idler Hubs, Electric/Hydraulic**



Ref.	Husky Part #	Mfr./Axel Tek#	Dexter #	Description
		<b>REPLACES</b>		
1	95912	#DL150-20		Grease Seals, 1.5" ID, Sleeve of 20
2, 3	30812	#L44649/10	K71-306-00	Bearing Cone & Cup L44610 / L44649
4	30792	#KBD-54522-17	008-257-05	Hub-Drum 5-4.5" BC Elec. 1.25"

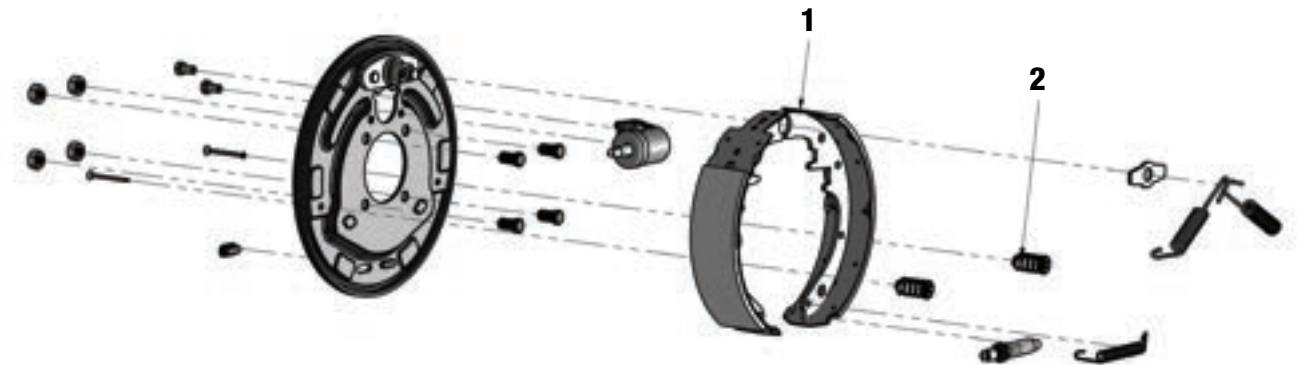
**QUALITY REPLACEMENT PARTS AXLE TEK, DEXTER - 7" X 1.25" ELECTRIC BRAKE**

CSA Compliant



Ref.	Husky Part #	Mfr./Axel Tek#	Dexter #	Description
		<b>REPLACES</b>		
	30793	#KB10E-01	K23-026-00	Complete Brake Assembly LH
	30794	#KB10E-02	K23-027-00	Complete Brake Assembly RH
1, 2, 3	30821	#KB10E-05	K71-047-00	Shoe/Lining Kit
4, 5	30826	#KBE-324-00	K71-324-00	Adjusting Screw Kit
6, 7, 8	30818	#KB10E-06	K71-104-00	Magnet Kit
2, 4, 7, 9	30824	#KBE-363-00	K71-363-00	Spring Kit
2, 3	30825	#KBE-353-00	5353	Hold-Down Kit (Axle Set)
10	30830	#KBE-321-00	5121	Retainer Clip Pkg/10

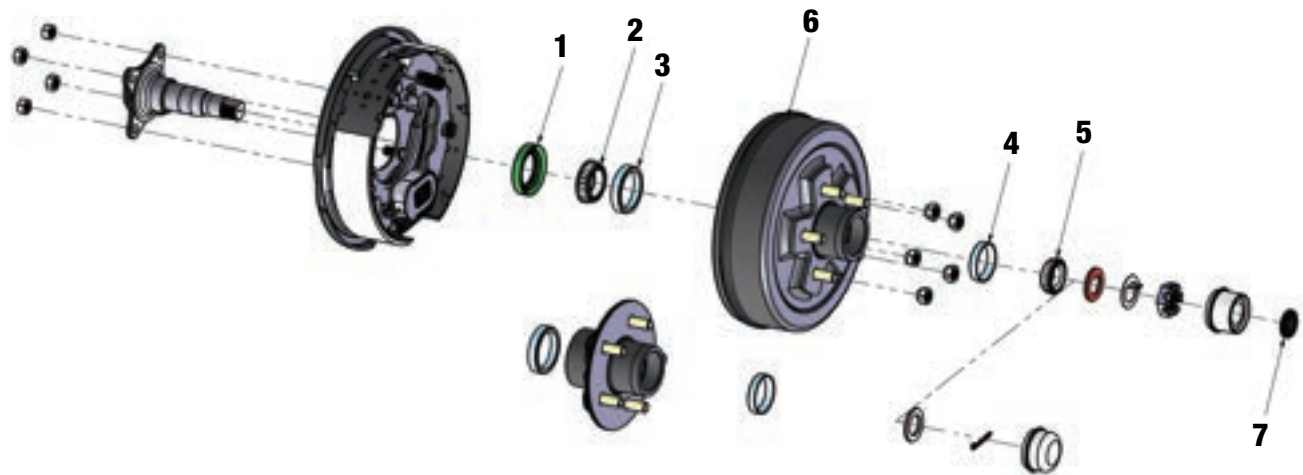
**QUALITY REPLACEMENT PARTS AXLE TEK, DEXTER - 10" X 2.25" Hydraulic Brakes**



Ref.	Husky Part #	Mfr./Axel Tek#	Dexter #	Description
		<b>REPLACES</b>		
	30785	#KB10H-01	K23-312-00	Complete Brake Assembly LH Uni-Servo
	30784	#KB10H-02	K23-313-00	Complete Brake Assembly RH Uni-Servo
1, 2	30822	#KB10H-05-2	K71-267-00	Shoe/Lining Kit (Axle Set)

**QUALITY REPLACEMENT PARTS**

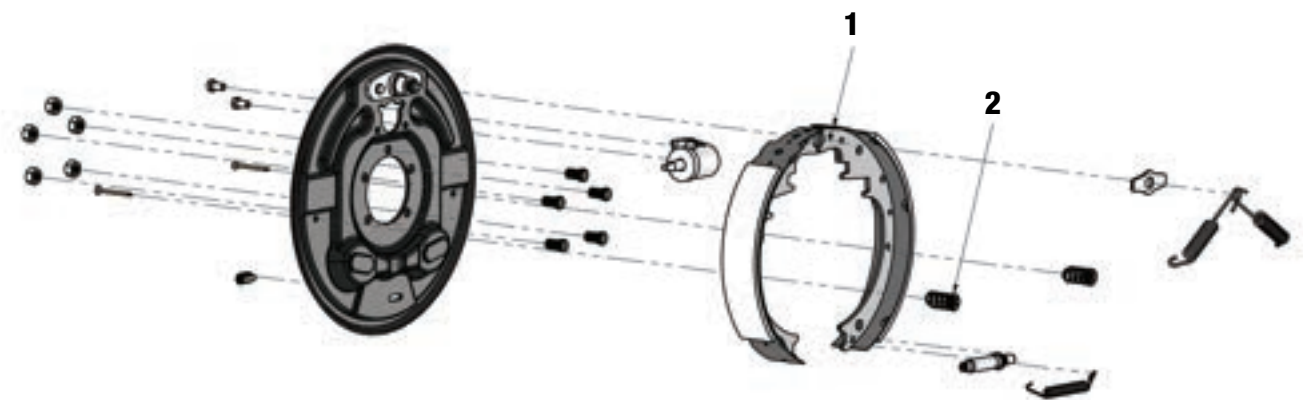
**AXLE TEK, DEXTER - 10" X 2.25" Hubs-Drums & Idler Hubs, Electric/Hydraulic**



REPLACES				
Ref.	Husky Part #	Mfr./Axel Tek#	Dexter #	Description
1	30828	#DL-172-03	K71-303-00	Grease Seal Std. Pkg/2
1	95913	#DL172-10		Grease Seals, 1.875" ID, Sleeve of 10
2, 3	30815	#LM68149/11	K71-390-00	Inner Bearing Cone & Cup L6811 / L68149
4, 5	30812	#L44649/10	K71-306-00	Outer Bearing Cone & Cup L44610 / L44649
6	30796	#KBD-545-17	008-247-05	Hub-Drum 5-4.5" BC Electric/Hydraulic
7	31815	#DC-RP-2	K71-320-00	Rubber Lube Plug for 1.18" Cap Hole, Pkg/2

**QUALITY REPLACEMENT PARTS**

**AXLE TEK, DEXTER - 12" X 2" Hydraulic Brakes 7000 lb.**

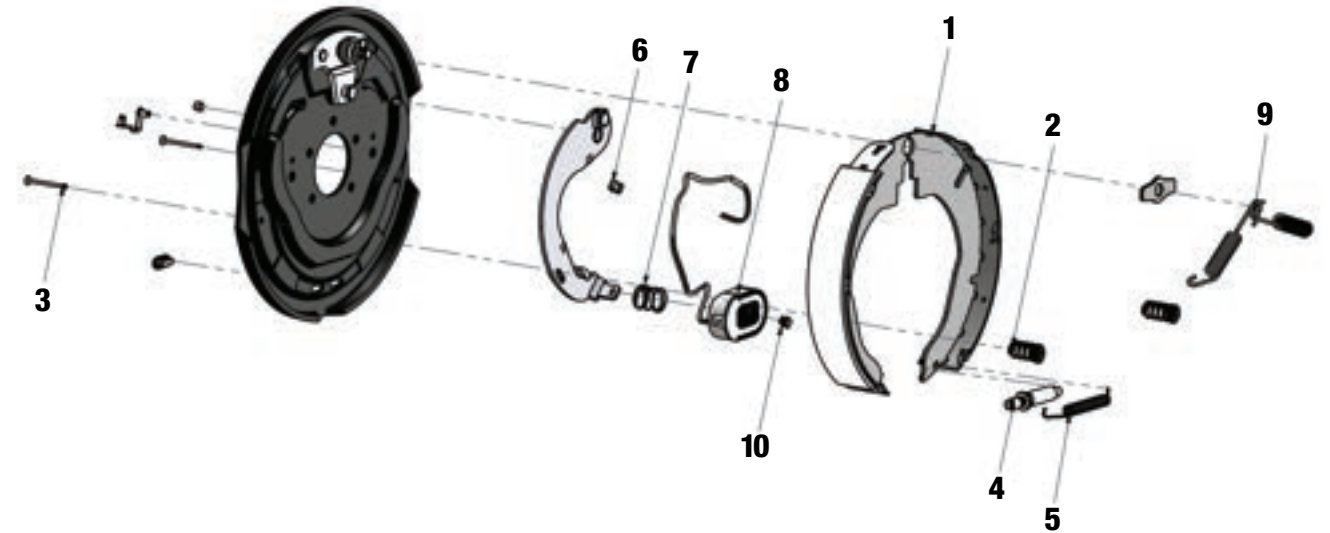


REPLACES				
Ref.	Husky Part #	Mfr./Axel Tek#	Dexter #	Description
	30786	#KB12H-01	K23-338-00	Complete Brake Assembly LH Uni-Servo
	30787	#KB12H-02	K23-339-00	Complete Brake Assembly RH Uni-Servo
1, 2	30823	#KB12H-05-2	K71-269-00 & K71-270-00	Shoe/Lining Kit (Axle Set)

**QUALITY REPLACEMENT PARTS**

**AXLE TEK, DEXTER - 12" X 2" Electric Brakes 5200 lb., 6000 lb., 7000 lb.**

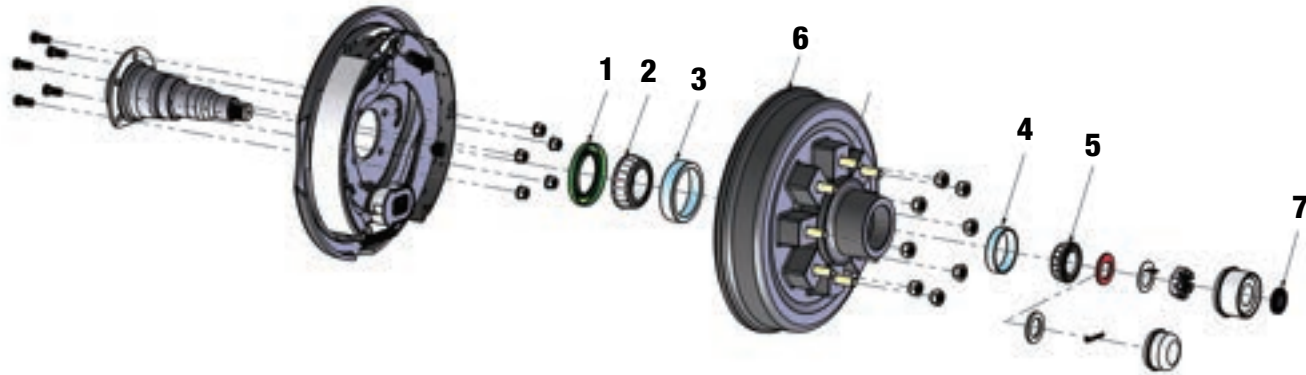
CSA Compliant



REPLACES				
Ref.	Husky Part #	Mfr./Axel Tek#	Dexter #	Description
<b>5200 lb. &amp; 6000 lb.</b>				
	30799	#KB12E-03	K23-105-00	Complete Brake Assembly LH
	30800	#KB12E-04	K23-106-00	Complete Brake Assembly RH
1, 2, 3	30820	#KB12E-05	K71-048-00	Shoe/Lining Kit
4, 5	30826	#KBE-324-00	K71-324-00	Adjusting Screw Kit
6, 7, 8	30819	#KB12E-06	K71-105-00	Magnet Kit
2, 5, 7, 9	30824	#KBE-363-00	K71-363-00	Spring Kit
2, 3	30825	#KBE-353-00	5353	Hold-Down Kit (Axle Set)
10	30830	#KBE-321-00	5121	Retainer Clip Pkg/10
<b>7000 lb.</b>				
	30797	#KB12E-01	K23-180-00	Complete Brake Assembly LH
	30798	#KB12E-02	K23-181-00	Complete Brake Assembly RH
1, 2, 3	30820	#KB12E-05	K71-127-00	Shoe/Lining Kit
4, 5	30826	#KBE-324-00	K71-324-00	Adjusting Screw Kit
6, 7, 8	30819	#KB12E-06	K71-125-00	Magnet Kit
2, 5, 7, 9	30824	#KBE-363-00	K71-363-00	Spring Kit
2, 3	30825	#KBE-353-00	5353	Hold-Down Kit (Axle Set)
10	30830	#KBE-321-00	5121	Retainer Clip Pkg/10

**QUALITY REPLACEMENT PARTS**

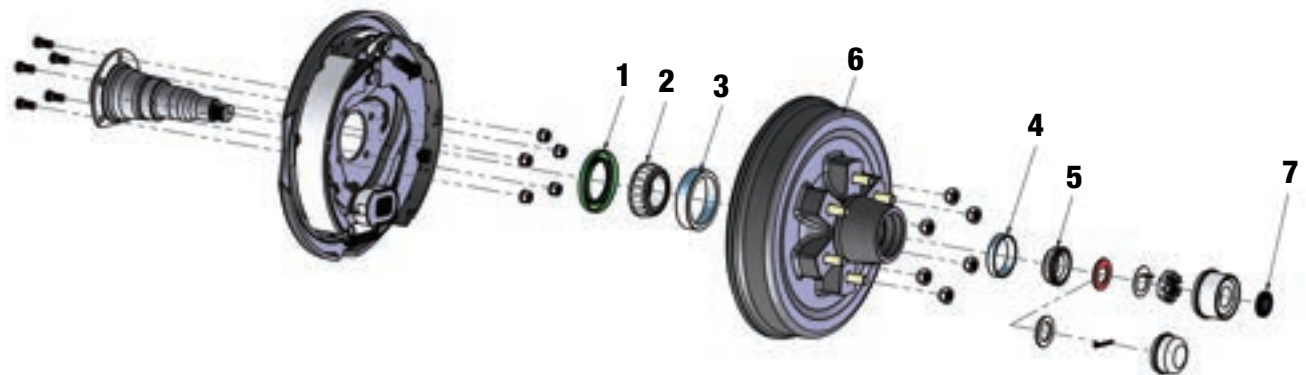
**AXLE TEK, DEXTER - 12" X 2" Hubs-Drums & Idler Hubs, 8 on 6.50 BC 6000 lb. & 7000 lb.**



Ref.	Husky Part #	REPLACES		Description
		Mfr./Axel Tek#	Dexter #	
1	30829	#DL-225-03	K71-305-00	Grease Seal Std. Pkg/2
2, 3	30813	#25580/20	K71-308-00	Inner Bearing Cone & Cup 25520 / 25580
4, 5	30811	#15123/245	K71-309-00	Outer Bearing Cone & Cup 15245 / 15123 6000 lb. (5-Spoke Demountable)
4, 5	30808	#14125A/14276	K71-310-00	Outer Bearing Cone & Cup 14276 / 14125A 7000 lb. 8-Bolt
6	30802	#KBD-865-17	008-219-04	Hub-Drum 8-6.50" BC 1/2" Studs 7000 lb.
7	31815	#DC-RP-2	K71-320-00	Rubber Lube Plug FOR 1.18" Cap Hole, Pkg/2K

**QUALITY REPLACEMENT PARTS**

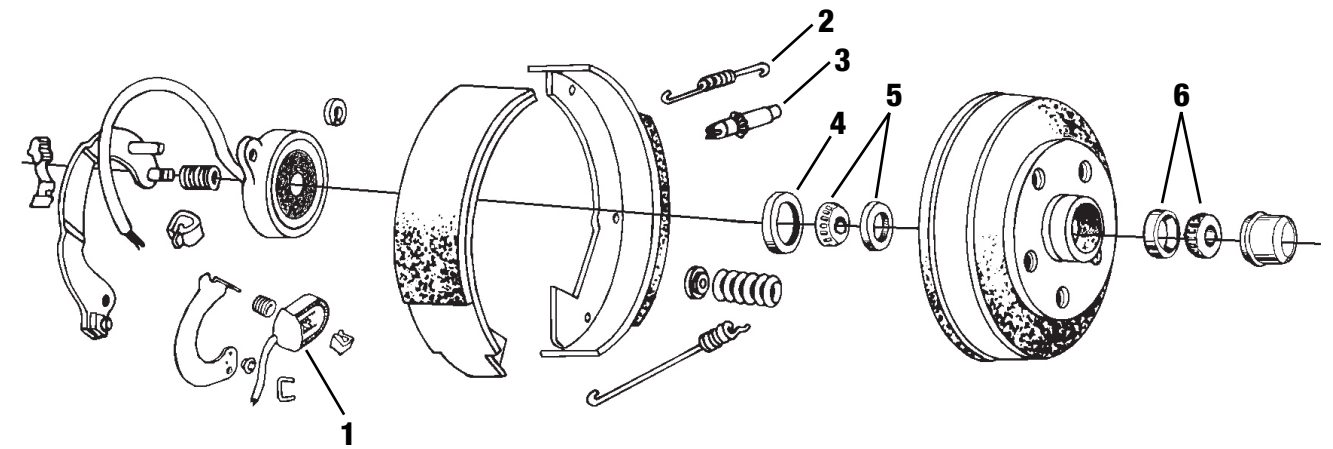
**AXLE TEK, DEXTER - 12" X 2" Hubs-Drums & Idler Hubs, 8 on 6.50 BC 5200 lb. & 6000 lb.**



Ref.	Husky Part #	REPLACES		Description
		Mfr./Axel Tek#	Dexter #	
1	30829	#DL-225-03	K71-305-00	Grease Seal Std., 2.25" I.D. (1998-current) Pkg/2
1	95914	#DL225-10		Grease Seals DL225, 2.25" I.D. (1998-current) Sleeve of 10
1	31816	#DL-2125-2		Grease Seal DL2125, 2.125" I.D. (pre-1998) Pkg/2
1	95922	#DL-2125		Grease Seals DL2125, 2.125" I.D. (pre-1998) Sleeve of 10
2, 3	30813	#25580/20	K71-308-00	Inner Bearing Cone & Cup 25520 / 25580
4, 5	30814	#LM67048/10	K71-307-00	Outer Bearing Cone & Cup LM67048 / LM67010 5200#
4, 5	30811	#15123/245	K71-309-00	Outer Bearing Cone & Cup 15123 / 15245 6000 lb.
6	30804	#KBD-655-17	008-201-09	Hub-Drum 6-5.50" BC 1/2" Studs 6000 lb. (requires #30811 bearing if used on 5200 lb. axle)
7	31815	#DC-RP-2	K71-320-00	Rubber Lube Plug for 1.18" Cap Hole, Pkg/2

**QUALITY REPLACEMENT PARTS**

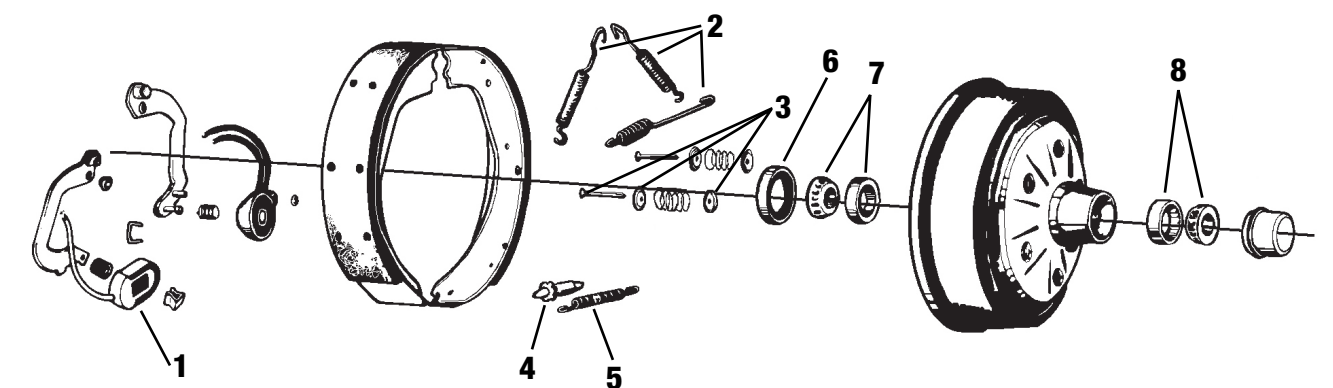
**HAYES - 10" X 1.625"**



Ref.	Husky Part #	Mfr.#	Description
1	30818	#KB10E-06	Magnet Kit (After mid 1987)
2, 3	30826	#KBE-324-00	Adjusting Screw Kit
4	30828	#DL-172-03	Grease Seal (Axle Set)
4	95913	#DL172-10	Grease Seals DL172, Sleeve of 10
5	30814	#LM67048/10	Inner Bearing Set
6	30812	#L44649/10	Outer Bearing Set

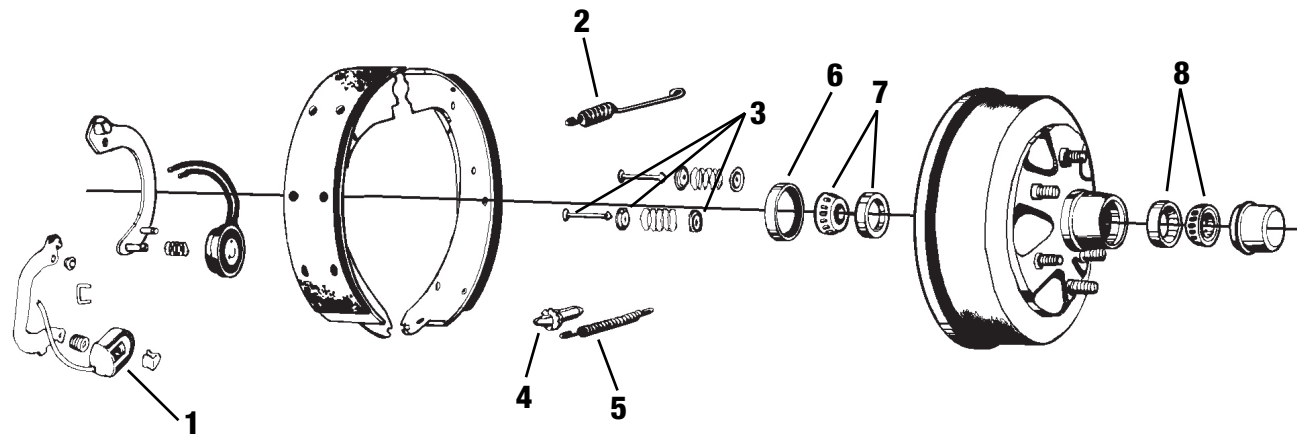
**QUALITY REPLACEMENT PARTS**

**HAYES - 10" X 2.25"**



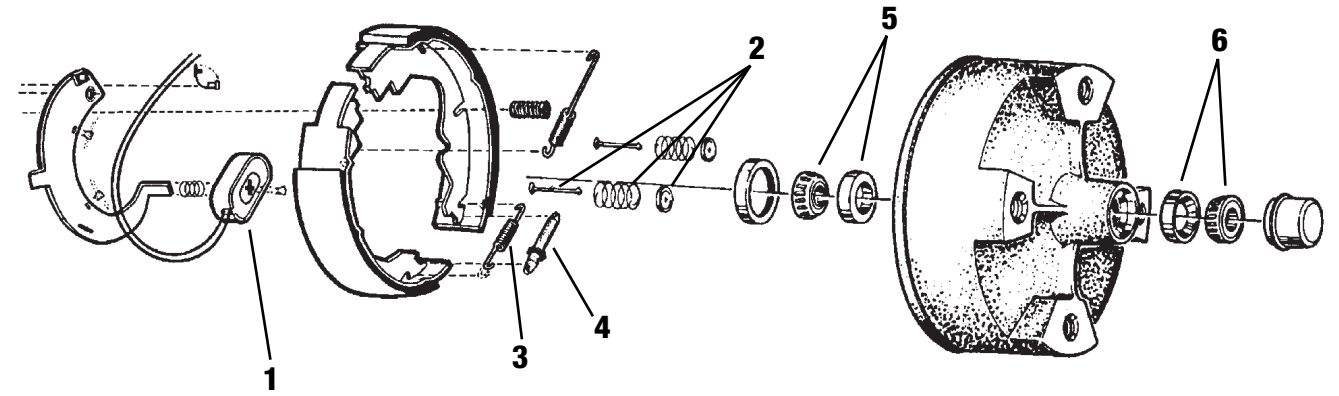
Ref.	Husky Part #	Mfr.#	Description
1	30818	#KB10E-06	Magnet Kit (After mid 1987)
2	30824	#KBE-363-00	Spring Kit
3	30825	#KBE-353-00	Hold-Down Kit (Axle Set)
4, 5	30826	#KBE-324-00	Adjusting Screw Kit
6	30828	#DL-172-03	Grease Seal (Axle Set)
6	95913	#DL172-10	Grease Seals DL172, Sleeve of 10
7	30815	#LM68149/11	Inner Bearing Set
8	30812	#L44649/10	Outer Bearing Set

**QUALITY REPLACEMENT PARTS HAYES - 12" X 2"**



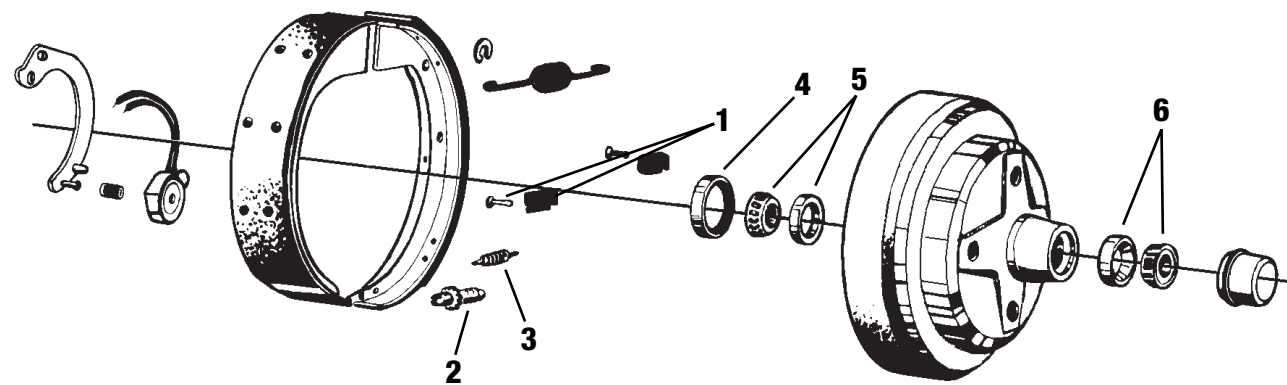
Ref.	Husky Part #	Mfr.#	Description
1	30819	#KB12E-06	Magnet Kit (After mid 1987)
2	30824	#KBE-363-00	Spring Kit
3	30825	#KBE-353-00	Hold-Down Kit (Axle Set)
4, 5	30826	#KBE-324-00	Adjusting Screw Kit
6	30829	#DL-225-03	Grease Seal (Axle Set)
6	95914	#DL225-10	Grease Seals DL172, Sleeve of 10
8	30813	#25580/20	Inner Bearing Set
9	30814	#LM67048/10	Outer Bearing Set

**QUALITY REPLACEMENT PARTS AL-KO - 10" X 2.25"**



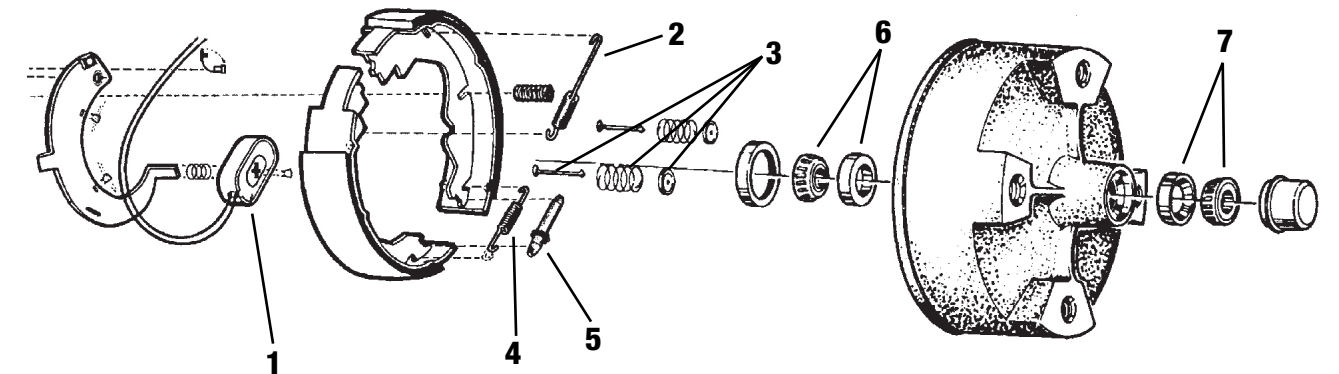
Ref.	Husky Part #	Mfr.#	Description
1	30818	#KB10E-06	Magnet Kit
2	30825	#KBE-353-00	Hold-Down Kit (Axle Set)
3, 4	30826	#KBE-324-00	Adjusting Screw Kit
5	30815	#LM68149/11	Inner Bearing Set
6	30812	#L44649/10	Outer Bearing Set

**QUALITY REPLACEMENT PARTS HAYES - 10" X 2" Centerline**



Ref.	Husky Part #	Mfr.#	Description
1	30825	#KBE-353-00	Hold-Down Kit (Axle Set)
2, 3	30826	#KBE-324-00	Adjusting Screw Kit
4	30829	#DL-225-03	Grease Seal (Axle Set) 2.25" I.D.
4	95914	#DL225-10	Grease Seals DL225, 2.25" I.D., Sleeve of 10
4	31816	#DL-2125-2	Grease Seal (Axle Set) 2.125" I.D.
4	95922	#DL-2125	Grease Seals DL2125, 2.125" I.D., Sleeve of 10
5	30813	#25580/20	Inner Bearing Set
6	30814	#LM67048/10	Outer Bearing Set

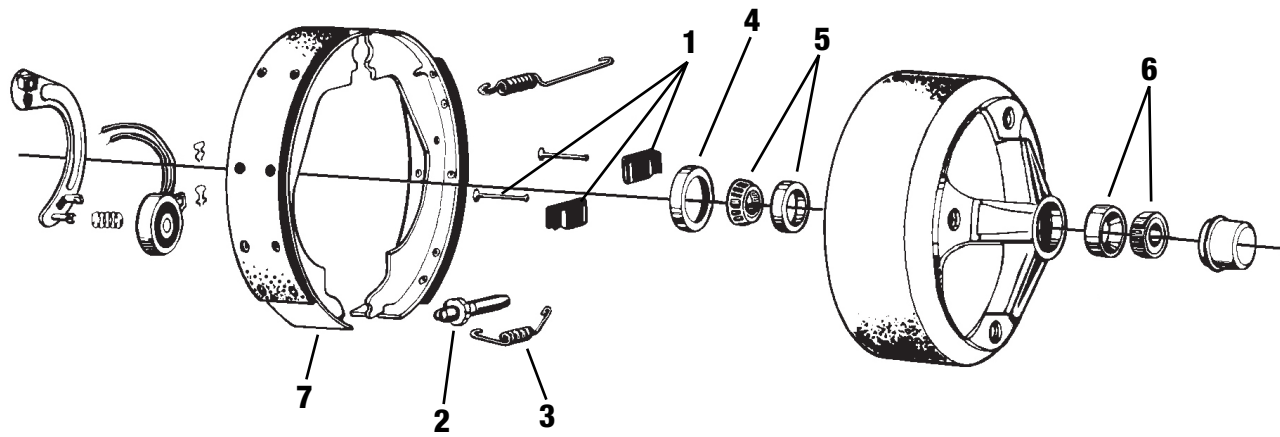
**QUALITY REPLACEMENT PARTS AL-KO - 12" X 2"**



Ref.	Husky Part #	Mfr.#	Description
1	30819	#KB12E-06	Magnet Kit 6 & 7K
2	30824	#KBE-363-00	Spring Kit
3	30825	#KBE-353-00	Hold-Down Kit (Axle Set)
4, 5	30826	#KBE-324-00	Adjusting Screw Kit
6	30813	#25580/20	Inner Bearing Set
7	30814	#LM67048/10	Outer Bearing Set

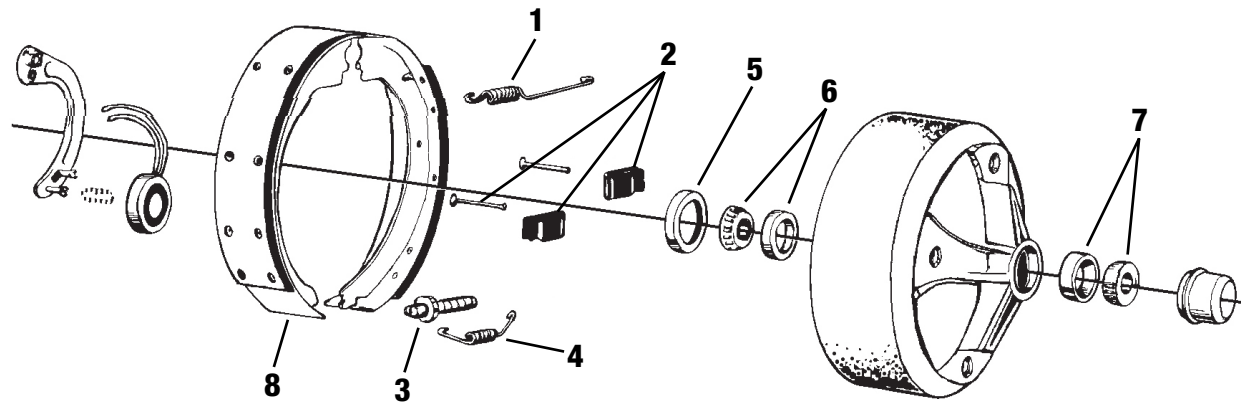


**QUALITY REPLACEMENT PARTS FAYETTE - 10" X 2.25"**



Ref.	Husky Part #	Mfr.#	Description
1	30825	#KBE-353-00	Hold-Down Kit (Axle Set)
2, 3	30826	#KBE-324-00	Adjusting Screw Kit
4	30828	#DL-172-03	Grease Seal (Axle Set)
4	95913	#DL172-10	Grease Seals DL172, Sleeve of 10
5	30815	#LM68149/11	Inner Bearing Set
6	30812	#L44649/10	Outer Bearing Set
7	30821	#KB10E-05	Shoe/Lining Kit

**QUALITY REPLACEMENT PARTS FAYETTE - 12" X 2"**



Ref.	Husky Part #	Mfr.#	Description
1	30824	#KBE-363-00	Spring Kit
2	30825	#KBE-353-00	Hold-Down Kit (Axle Set)
3, 4	30826	#KBE-324-00	Adjusting Screw Kit
5	30829	#DL-225-03	Grease Seal (Axle Set) 2.25" I.D.
5	95914	#DL225-10	Grease Seals DL225, 2.25" I.D., Sleeve of 10
5	31816	#DL-2125-2	Grease Seal (Axle Set) 2.125" I.D.
5	95922	#DL-2125	Grease Seals DL2125, 2.125" I.D., Sleeve of 10
6	30813	#25580/20	Inner Bearing Set
7	30814	#LM67048/10	Outer Bearing Set
8	30820	#KB12E-05	Shoe/Lining Kit

**HUSKY® IDLER HUBS FOR AXLE TEK OR DEXTER**

- Provides gripping area when the brake shoes are activated
- Compatible with electric and hydraulic drum brakes
- Zinc and paint blended coating for durability
- Black paint finish
- Corrosion resistant, zinc-finished pressed in studs

**2,000 lb IDLER HUBS**

**4-4.00; L44610/L44610; Black push-in studs**

33080 Idler Hub, 2,000 lb (shown at right)

**5-4.50; L44610/L44610; Black push-in studs; Standard Flange**

33081 Idler Hub, 2,000 lb

**5-4.50; L44610/L44610; Black push-in studs; Large Flange**

33082 Idler Hub Kit, 2,000 lb (shown at right)

**3,500 lb IDLER HUBS**

**5-4.50; L68111/L44610; Black push-in studs**

33083 Idler Hub, 3,500 lb

**5-4.75; L68111/L44610; Large Flange/Large Bride**

33084 Idler Hub, 3,500 lb

**5-5.00; L68111/L44610; Large Flange/Large Bride**

33085 Idler Hub, 3,500 lb

**5-5.50; L68111/L44610; Black push-in studs**

33086 Idler Hub, 3,500 lb

**6-5.50; L68111/L44610; Black push-in studs**

33087 Idler Hub, 3,500 lb (shown at right)

**6,000 lb. & 7,000 lb IDLER HUBS**

**6-5.50; 25520/15245; 1/2-20; Push-in studs**

33088 Idler Hub, 6,000 lb

**6-5.50; 25520/15245; 9/16-18; Push-in studs**

33089 Idler Hub, 6,000 lb

**8-6.50; 25520/14276; 1/2-20; Push-in studs**

33090 Idler Hub, 7,000 lb

**8-6.50; 25520/14276; 9/16-18; Push-in studs**

33091 Idler Hub, 7,000 lb (shown at right)



33080



33081



33082

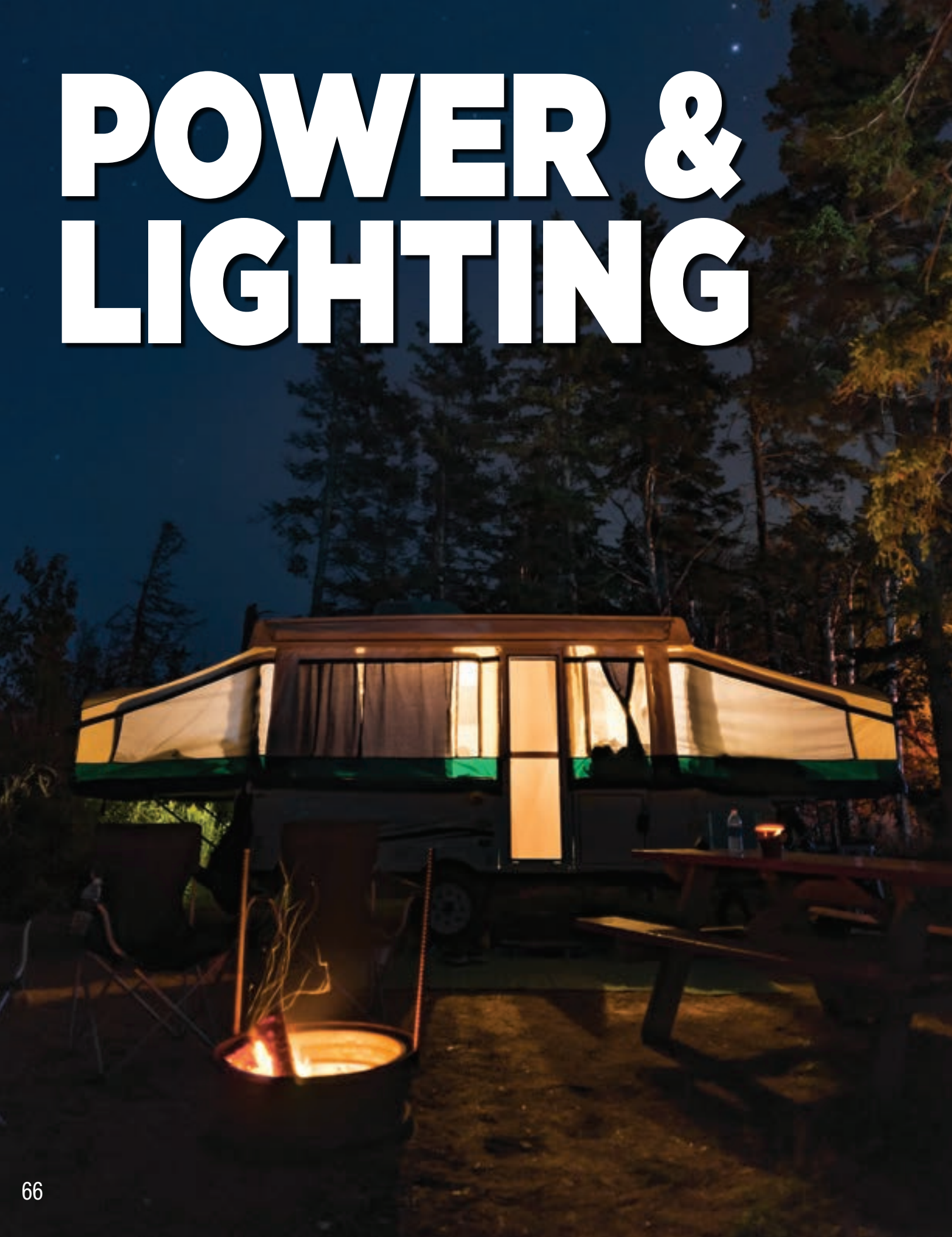


33091

**TOWING**

**TOWING**

# POWER & LIGHTING



## SURGE PROTECTORS

**Arcon**<sup>®</sup>

### 30A & 50A SURGE PROTECTORS

- Protects valuable downstream electronics and RV appliances
- Absorbs and diverts high voltage spikes and surges
- Has the highest surge absorption capacity (Joules rating) among portable RV surge protectors
- Detects and alerts of low voltage and improper wiring conditions
- Comes with multi lightning strike protection which diverts the strike energy to ground
- Individually retail packaged

#### 30A 120V SURGE PROTECTOR

- Operating current: 30A
- Operating voltage: 120V
- Operating wattage: 3600W
- Frequency: 60Hz
- Plug/Receptacle type: TT-30P / TT-30R
- Low voltage detection: Appx.  $\leq 106V$
- 3600 Joules of power suppression
- 3 Modes of protection: Hot, ground, & neutral

19658 30A 120V Surge Protector

#### 50A 240V SURGE PROTECTOR

- Operating current: 50A
- Operating voltage: 240V (120V per line)
- Operating wattage: 12,000W
- Frequency: 60Hz
- Plug/Receptacle type: 14-50P / 14-50R
- Low voltage detection: Appx.  $\leq 106V$  (per line)
- 7200 Joules of power suppression
- 4 Modes of protection: Hot L1, hot L2, ground, & neutral

19666 50A 240V Surge Protector



*Tested to UL Specifications*

**POWER & LIGHTING**



14366

### PREMIUM SERIES PIGTAIL ADAPTERS

- Sturdy pull-handle is designed for easy retrieval
- Pull-handle lays flat against plug
- Outlet covers can be fully closed over plug during use
- High-visibility yellow
- Constructed of durable PVC with solid brass contacts
- Individually retail packaged

### Premium Series FLAT WIRE PIGTAIL ADAPTERS

Flexible flat bonded 10/3 ga. wire. Retail packaged; Yellow/Black

14366	30A F-15A M, 12", not certified
14368	30A F-50A M, 18", not certified
14372	50A F-30A M, 18", not certified

### Premium Series TEMPORARY PIGTAIL ADAPTERS

Retail packaged; Yellow/Black

14245	30A F-15A M, 9", not certified
14362C	15A F-30A M, 18", CSA
14365C	30A F-15A M, 18", CSA
14367C	30A F-50A M, 18", CSA
14371C	50A F-30A M, 18", CSA

*Products with a cULus, CSA or cETLus designation are certified for sale in Canada.*



14372



14368



14245



14362C



14365C



14367C



14371C

### ECONOMY SERIES PIGTAIL ADAPTERS

- Made of durable PVC with solid brass contacts
- Black cord
- Bulk packaged
- Easy grip on both ends
- Manufactured of flexible flat bonded 10/3 gauge wire

### Economy Series FLAT WIRE PIGTAIL ADAPTERS

Bulk; Black

14243	30A F-50A M, 18", not certified
14244	50A F-30A M, 18", not certified
14246	30A F-15A M, 12", not certified

### Economy Series TEMPORARY PIGTAIL ADAPTERS

Bulk; Black

14239C	15A F-30A M, 18", CSA
14240C	30A F-15A M, 18", CSA
14241C	30A F-50A M, 18", CSA
14242C	50A F-30A M, 18", CSA
14370	30A F-15A M, 9", not certified

*Products with a cULus, CSA or cETLus designation are certified for sale in Canada.*



14246



14244



14243



14370



14239C



14240C



14241C



14242C

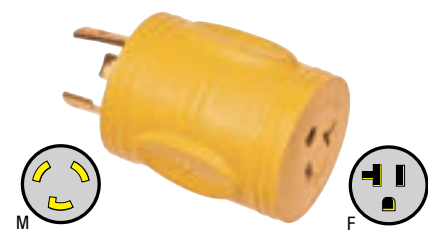
### PREMIUM ADAPTERS

Arcon Premium Adapter Plugs are made of durable UV protected PVC with solid brass contacts.



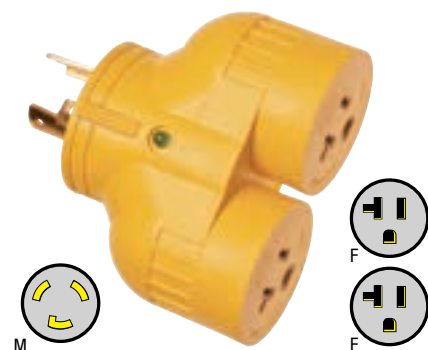
### 30A RV PREMIUM TWIST LOCK ADAPTER

14398 L5-30 x 30A Adapter, cULus



### 30A RV PREMIUM TWIST LOCK ADAPTER

11827 L5-30 x 5-20 Adapter, not certified Bulk



### 30A PREMIUM DUAL TWIST LOCK ADAPTER WITH LED POWER INDICATOR

11828 L5-30 M - (2) 5-20 F, not certified Bulk



### 125V 15A ROUND TEMPORARY ADAPTER

14057C 15A F-30A M, CSA  
14058C 15A F-30A M, CSA Bulk



### 125V 30A ROUND TEMPORARY ADAPTER

13218 30A F-15A M, CSA Cd/1  
13333 30A F-15A M, CSA Bulk



### 125V 15A TRIANGULAR TEMPORARY ADAPTER

14053C 15A F-30A M, CSA  
14054C 15A F-30A M, CSA Bulk



### 125V 30A TRIANGULAR TEMPORARY ADAPTER

13993 30A F-15A M, CSA Cd/1  
13995 30A F-15A M, CSA Bulk



### 30A 90° TEMPORARY ADAPTER

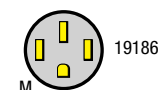
14081C 30A F-15A M, CSA  
14082C 30A F-15A M, CSA Bulk



### REPLACEMENT RECEPTACLE & PLUG WITH FOLDING HANDLES 30A

- Used for creating custom extension cords and adapters
- Yellow grasp handles allow for easier plug removal and night visibility
- Constructed of high impact plastic and solid brass contacts

18203 30A Male Cord End, cULus  
18206 30A Female Cord End, cULus



### REPLACEMENT RECEPTACLE & PLUG WITH FOLDING HANDLES 50A

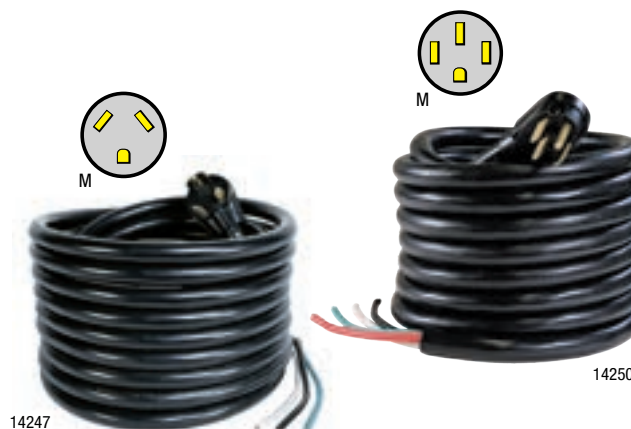
19186 50A Male Cord End, cETLus



### PREMIUM SERIES EXTENSION CORDS

- Sturdy pull-handle is designed for easy retrieval
- Pull-handle lays flat against plug
- Outlet covers can be fully closed over plug during use
- High-visibility yellow
- Constructed of durable PVC with solid brass contacts

11533 Premium 30A, 25ft. w/handle, cULus  
11534 Premium 30A, 50ft. w/handle, cULus  
11535 Premium 50A, 30ft. w/handle, cULus



### STRIPPED POWER CORDS

Feature molded male plug on one end and stripped other end

14247 30A M-Stripped, 25ft., cULus  
14250 50A M-Stripped, 25 ft., cULus



### EXTENSION CORDS

Feature molded male plug on one end and molded female plug on the other

14248 30A, 25ft., cULus  
14249 30A, 50ft., cULus  
14251 50A, 30ft., CSA



### PREMIUM SERIES STRIPPED 18" PIGTAILS

- Made of durable PVC with pull-handle
- Solid brass contacts

14363 30A F-Stripped, 18", cULus  
14369 30A M-Stripped, 18", cULus



### STRIPPED 18" PIGTAILS

- Made of durable PVC
- Solid brass contacts

14237 30A F-Stripped, 18", cULus  
14238 30A M-Stripped, 18", cULus

### BATTERY BOXES

Heavy-duty "strap-style" battery boxes are vented and made of lightweight, high-strength polypropylene to withstand impact and battery acid. Our battery boxes meet USCG specs. Each box comes complete with lid, strap and mounting brackets. Available in 3 popular sizes.

- 13034 Group 24 Battery Box  
11.5"L x 8"W x 8.5"H
- 13035 Group 27 Battery Box  
14"L x 8"W x 8.5"H
- 13228 Group GC-2 Battery Box  
11.5"L x 8"W x 9.5"H



### BATTERY HOLD-DOWN STRAPS

Straps include a woven polypropylene strap with firm grip buckle plus a hardware kit of two polypropylene tie-down brackets and stainless steel screws.

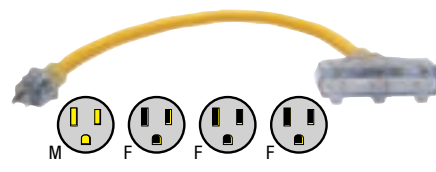
- 12024 42" Strap Kit
- 13339 42" Strap Kit, Bulk
- 11796 54" Strap Kit



### GENERATOR ADAPTER

Enables you to connect a 30A 120V RV extension cord to your generator's twist-lock L5-30 power receptacle.

- 14977 L5-30 M - TT-30 F, 12", cULus



### GENERATOR POWER BLOCK

- Adapts one 5-15 plug to three lighted 5-15 receptacles
- Lighted ends confirm power

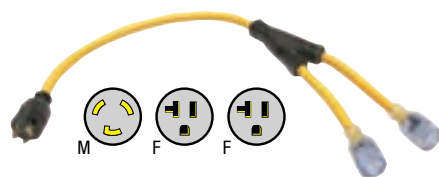
- 17360 5-15 M - (3) 5-15 F, cULus



### MULTI-MAX ADAPTER KIT

- Two 17" 30A cords attached to one 6" 50A cord
- Uses two 120V/30A circuits to provide 240V/50A of service
- Use the included 30A-15A adapter and one leg of your Multi-Max to hook your 50A RV service cord to the 120V outlet at your home

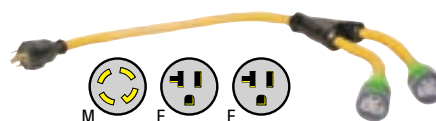
- 17341 Multi-Max Adapter, not certified



### GENERATOR Y-ADAPTER

Adapts twist-lock L5-30 120V/30A plug to two lighted 5-20 receptacles

- 17361 L5-30 M - (2) 5-20 F, not certified



### GENERATOR Y-ADAPTER

Adapts one 125/250 volt L14-30 twist-lock to two lighted 5-20 receptacles.

- 17362 L14-30 M - (2) 5-20 F, not certified

### UNIVERSAL PORCH/UTILITY LIGHTS

- Illuminate the surrounding area to improve security and visibility
- Surface mount lights with an optional rocker switch for power
- Black or white base with clear or amber snap-in lens
- Rectangular lights use replacement bulb #1003 and are 5.75" L x 3.5" W
- Oval shaped lights use replacement bulb #1141 and are 6.4" L x 4.2" W
- Replacement Lens Dimensions: 5.25" L x 2.5" W

PART#	LED/INCANDESCENT	BASE COLOR	LENS COLOR	SWITCH	LIGHT EMISSION
<b>RECTANGULAR LIGHTS</b>					
20672	LED	White	Clear	No	Bright White
20673	LED	White	Clear	Yes	Bright White
20674	LED	White	Amber	No	Bright White
20675	LED	White	Amber	Yes	Bright White
20676	LED	Black	Clear	No	Bright White
20677	LED	Black	Clear	Yes	Bright White
18109	Incandescent	White	Amber	No	—
18111	Incandescent	White	Amber	Yes	—
18102	Incandescent	White	Clear	No	—
18104	Incandescent	White	Clear	Yes	—
51309	Incandescent	Black	Clear	No	—
51308	Incandescent	Black	Clear	Yes	—
<b>OVAL LIGHTS</b>					
20678	LED	White	Clear	No	Bright White
20679	LED	White	Clear	Yes	Bright White
20680	LED	Black	Clear	No	Bright White
20681	LED	Black	Clear	Yes	Bright White
51251	Incandescent	White	Clear	No	—
51252	Incandescent	White	Clear	Yes	—



20674



20677

### Replacement Lenses:

- 18107 Rectangular Lens, Amber
- 18106 Rectangular Lens, Clear
- 51299 Oval Lens, Clear



20679



20675



20678



20681

Limited 1 year warranty on light fixtures

### SCARE/SECURITY LIGHTS

- Lens design creates a wide area of illumination for enhanced security
- Durable stainless steel housing with clear acrylic lens
- Cost-efficient 18 LED configuration produces 2.7 W/215 lumens\*

- 16193 Incandescent Scare Light w/Clear Lens
- 10705 Incandescent Scare Light w/Clear Lens, Bulk
- 20761\* LED Scare Light w/Clear Lens



16193

### DIMMABLE LED EURO-STYLE LIGHTS

- Offer a sleek single or double design
- Sliding switch adds convenience of light output control
- Features on/dim/off settings
- Uses replacement bulb #1141
- Single light dimensions: 8" x 4.75", requires 4 mounting screws (not included)
- Double Light dimensions: 11" x 4.75" requires 6 mounting screws (not included)

#### Single Light:

- 51265 Bright White, White Lens
- 51266 Bright White, Optic Lens

#### Double Light:

- 51267 Bright White, White Lens
- 51268 Bright White, Optic Lens



51265

51267

51266

51268

### STANDARD EURO-STYLE LIGHTS

- Offer a sleek single or double design
- Colonial or white base with squeeze-to-remove white or optic lens
- Single lights offer a 2-position switch (off/on)
- Double lights offer 3-position switch (off/1 light/2 light)
- Uses replacement bulb #1141
- Single light dimensions: 8" x 4.75" (requires 4 mounting screws not included)
- Double Light dimensions: 11" x 4.75" (requires 6 mounting screws not included)



18122

18124

20670

20669

20726

14655

14656

20667

20668

11825

11824

PART#	LED/INCANDESCENT	BASE COLOR	LENS COLOR	LIGHT EMISSION
<b>SINGLE LIGHTS</b>				
20669	LED	White	Optic	Bright White
20725	LED	White	White	Bright White
20711	LED	White	Optic	Soft White
20713	LED	White	White	Soft White
18122	Incandescent	White	Optic	—
18121	Incandescent	White	White	—
<b>DOUBLE LIGHTS</b>				
20670	LED	White	Optic	Bright White
20726	LED	White	White	Bright White
20712	LED	White	Optic	Soft White
20714	LED	White	White	Soft White
18124	Incandescent	White	Optic	—
18123	Incandescent	White	White	—
18015	Incandescent	Colonial White	Optic	—
17926	Incandescent	Colonial White	White	—

#### Replacement Lenses:

- 18017 Optic
- 18016 White
- 11587 Clear

### ECONOMY EURO-STYLE LIGHTS

- Low profile interior lights are economical, energy-efficient, and provide bright light
- Easy to clean, snap-out lens offered in clear or optic
- Single lights offer a 2-position switch (off/on) and use replacement bulb #1016
- Double lights offer 3-position switch (off/1 light/2 light) and use replacement bulb #1141
- Single light dimensions: 6.25" x 5.5" x 1-5/8" (requires 4 mounting screws not included)
- Double light dimensions: 11.5 x 5.5 x 1-5/8" (requires 6 mounting screws not included)

PART#	LED/INCANDESCENT	BASE COLOR	LENS COLOR	LIGHT EMISSION
<b>SINGLE LIGHTS</b>				
11824	Incandescent	White	Optic	—
14655	Incandescent	White	White	—
20667	LED	White	Clear	Bright White
20715	LED	White	Clear	Soft White
<b>DOUBLE LIGHTS</b>				
11825	Incandescent	White	Optic	—
14656	Incandescent	White	White	—
20668	LED	White	Clear	Bright White
20716	LED	White	Clear	Soft White

#### Replacement Lenses:

- 11826 Optic
- 18530 White
- 14813 White, Bulk

**LED lights offer longer lasting, energy-efficient lighting and produce better light quality with low heat output**

Illuminate your space with efficient and effective lighting solutions. Available in incandescent and bright and soft white LED options, Arcon® bulbs replace standard industry bulb sizes. LED bulbs are more energy efficient, produce less heat output, and last longer than incandescent options. Find the full selection of replacement bulbs on our website.

BULB	PART#	LED/INCANDESCENT	LIGHT EMISSION	QUANTITY	AMPS	WATTS
<b>#53</b>						
	16751	Incandescent	—	2	0.12	1.4
	16750	Incandescent	—	10	0.12	1.4
<b>#57</b>						
	16753	Incandescent	—	2	0.24	2.9
	16752	Incandescent	—	10	0.24	2.9
<b>#67</b>						
	16755	Incandescent	—	2	0.59	7.1
	16754	Incandescent	—	10	0.59	7.1
<b>#71</b>						
	11971	Incandescent	—	2	0.8	10.0
<b>#93</b>						
	16760	Incandescent	—	2	1.04	12.5
	50429	LED	Soft White	1	1.04	13.3
	50430	LED	Soft White	6	1.04	13.3
<b>#94</b>						
	16761	Incandescent	—	2	1.04	12.0
<b>#193</b>						
	15753	Incandescent	—	2	0.33	4.6
<b>#194</b>						
	16800	Incandescent	—	2	0.27	3.2
	16762	Incandescent	—	10	0.27	3.2
	50557	LED	Bright White	1	0.065	0.8
	50558	LED	Bright White	6	0.065	0.8
<b>#211</b>						
	16763	Incandescent	—	2	0.68	8.2
	50664	LED	Soft White	1	0.68	8.2
<b>#211-2</b>						
	16764	Incandescent	—	2	0.68	8.2
	50687	LED	Soft White	1	0.028	0.4
<b>#212-2</b>						
	16793	Incandescent	—	2	0.57	6.8
	50702	LED	Soft White	1	0.028	0.4
<b>#906</b>						
	16765	Incandescent	—	2	0.69	8.3
	15754	Incandescent	—	10	0.69	8.3
<b>#912</b>						
	16801	Incandescent	—	2	1	12.0
	15755	Incandescent	—	10	1	12.0
	50610	LED	Soft White	1	0.065	0.8
<b>#921</b>						
	16802	Incandescent	—	2	1.4	16.8
	16794	Incandescent	—	10	1.4	16.8
	50567	LED	Bright White	1	0.095	1.2
	51274	LED	Bright White	6	0.095	1.2
	50564	LED	Soft White	1	0.095	1.2
	51273	LED	Soft White	6	0.095	1.2



BULB	PART#	LED/INCANDESCENT	LIGHT EMISSION	QUANTITY	AMPS	WATTS
<b>#922</b>						
	16795	Incandescent	—	2	0.98	11.8
	50568	LED	Soft White	1	0.065	0.8
<b>#JC20</b>						
	50784	Halogen	—	2	0.6	7.7
<b>#JC10W</b>						
	16747	Halogen	—	2	0.84	10.0
<b>#1003</b>						
	16768	Incandescent	—	2	0.94	11.3
	16766	Incandescent	—	10	0.94	11.3
	50435	LED	Bright White	1	0.16	2.0
	50455	LED	Soft White	1	0.16	2.0
	50458	LED	Soft White	6	0.16	2.0
<b>#1004</b>						
	16769	Incandescent	—	2	0.94	11.3
	50474	LED	Soft White	1	0.16	2.0
<b>#1016</b>						
	16770	Incandescent	—	2	1.34	16.1
	50725	LED	Bright White	1	0.25	3.2
	50773	LED	Soft White	1	0.25	3.2
<b>#1073</b>						
	16772	Incandescent	—	2	1.8	21.6
	50398	LED	Bright White	1	0.25	3.2
<b>#1076</b>						
	16774	Incandescent	—	2	1.8	21.6
	16773	Incandescent	—	10	1.8	21.6
	50492	LED	Soft White	1	0.25	3.2
	50493	LED	Soft White	6	0.25	3.2
<b>#1139-IF (Inside frosted)</b>						
	16775	Incandescent	—	2	1.04	12.5
<b>#1141</b>						
	16777	Incandescent	—	2	1.44	17.3
	16776	Incandescent	—	10	1.44	17.3
	50368	24 LED	Bright White	1	0.25	3.2
	50380	24 LED	Bright White	6	0.25	3.2
	50367	24 LED	Soft White	1	0.25	3.2
	50377	24 LED	Soft White	6	0.25	3.2
	50373	18 LED	Bright White	1	0.19	2.4
	50386	18 LED	Bright White	6	0.19	2.4
	50369	18 LED	Soft White	1	0.19	2.4
	50385	18 LED	Soft White	6	0.19	2.4
	52231	LED-Rotatable	Bright White	1	1.4	17.9
	52230	LED-Rotatable	Soft White	1	1.4	17.9
<b>#1141-IF (Inside frosted)</b>						
	16778	Incandescent	—	2	1.44	17.3
<b>#1142</b>						
	16779	Incandescent	—	2	1.44	17.3

BULB	PART#	LED/INCANDESCENT	LIGHT EMISSION	QUANTITY	AMPS	WATTS
<b>#1156</b>						
	16783	Incandescent	—	2	2.1	25.2
	16782	Incandescent	—	10	2.1	25.2
	50387	24 LED	Bright White	1	0.25	3.2
	50392	24 LED	Bright White	6	0.25	3.2
<b>#1157</b>						
	16785	Incandescent	—	2	2.1	25.2
	16784	Incandescent	—	10	2.1	25.2
	50509	LED	Bright White	1	0.25	3.2
	50510	LED	Bright White	6	0.25	3.2
<b>#1383</b>						
	16788	Incandescent	—	2	1.54	18.5
	15758	Incandescent	—	10	1.54	18.5
	50524	LED	Soft White	1	0.417	5.3
<b>#1895</b>						
	16792	Incandescent	—	2	0.27	3.2
	16791	Incandescent	—	10	0.27	3.2
<b>#2099</b>						
	50829	LED	Soft White	1	0.25	3.2
<b>#3157</b>						
	16798	Incandescent	—	2	2.1	25.2

### Emergency Bulb Kit

Includes: 13 bulbs: (3 - #57 clearance bulbs, 1 - #67 license/courtesy bulb, 2 - #194 clearance bulbs, 1 - #906 interior/porch bulb, 2 - #1003 interior/porch bulbs, 2 - #1141 taillight/interior bulbs, 2 - #1157 taillight/interior bulbs.)  
16796 Emergency Bulb Kit

### Late Model Emergency Bulb Kit

Includes: 14 bulbs: (1 - #194, 1 - #912, 2 - #921, 2 - #1003, 1 - #1076, 2 - #1141, 1 - #1157, 2 - #3157, 2 - #JC10W.)  
51270 Late Model Emergency Bulb Kit



16796



### FLUORESCENT LIGHT

- Available in 16 watt
- Sleek Euro style design
- Surface mount for easy installation
- Features on/off rocker switch



16 watt is 16 7/8" L x 4 3/8" W; 1 3/8" H, uses two 8-Watt, 12" F8T5/CW fluorescent tubes. Draws only 1.8 total amps  
13812 Crd/1

### REPLACEMENT BULBS

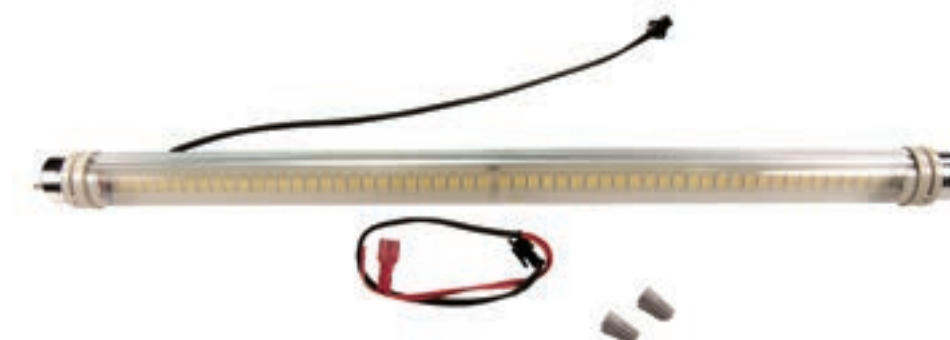


16749 8W, 12" Tubes, F8T5/CW Pkg/2

### SOFT WHITE LED REPLACEMENTS FOR FLUORESCENT TUBES



50708 12" Replacement for F8T5/CW; 30 LED 4.1W, Pkg/1 #T5-12-SW-1 10

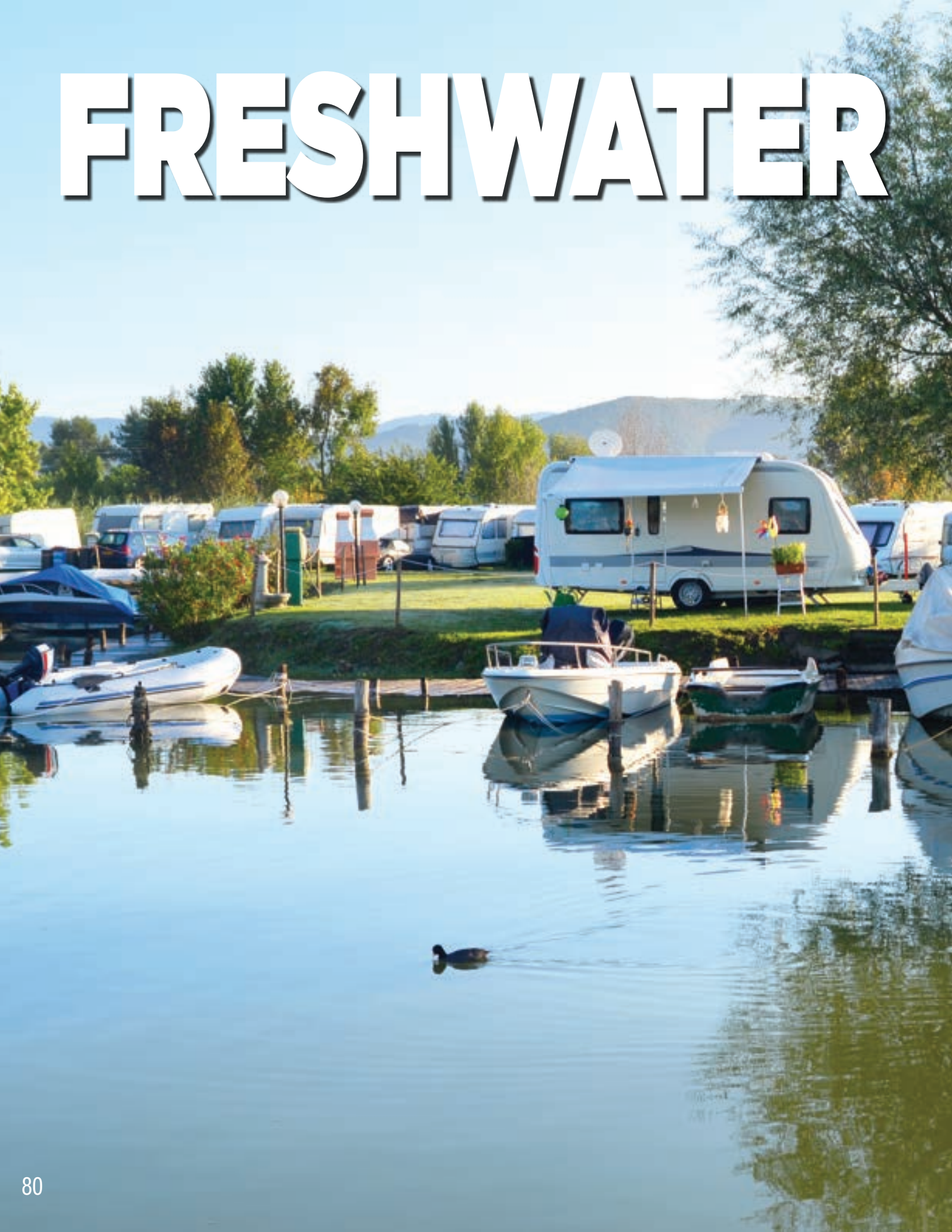


50713 18" Replacement for F15T8/CW; 54 LED, 7.5W, Pkg/1 #T8-18-SW-1 10





# FRESHWATER



## WATER PUMPS

**Aqua Pro®**



Powerful, on-demand, diaphragm pumps that respond smoothly to varying water flow demands. Compact and capable, they are a great fit for tight spaces. Equipped with 1/2" MNPS inlet and outlet fittings. Includes two 1/2" barbed adapters\* (to accommodate most OEM pump replacements) and a 50 mesh inlet strainer.

### UNIVERSAL HEAVY DUTY WATER PUMP 12V/5.5 GPM

#### Features:

- 5.5 GPM high flow pump
- Self-priming
- Run-dry safe
- On-demand, quiet operation
- Low power draw
- Built in check valve prevents back flow and allows for city water connection
- Non-adjustable pressure switch
- Thermal breaker motor protection
- Multi-fixture capacity
- Corrosion-resistant valves
- Steel mounting base with rubber feet dampens vibration, and uses industry standard mounting pattern
- Safe for use with propylene glycol (RV non-toxic) antifreeze
- Includes fittings and strainer
- Accumulator with a minimum volume of 25oz is recommended
- Ignition protected



21863 Universal 12V/5.5 GPM Heavy Duty Water Pump

CE

FDA



ISO 8846

SAE J1171

### UNIVERSAL WATER PUMPS, 12V/3.0 GPM & 115V/3.0 GPM

#### Features:

- Self-priming
- Run-dry safe
- Tested and guaranteed
- No surging; flows steadily
- Quiet operation
- Low power draw
- TRUE 3.0 GPM performance
- Corrosion-resistant valves
- Ignition protected (12V pump only)
- Thermal breaker motor protection
- Built in check valve prevents back flow and allows for city water connection
- Rubber mounting base dampens vibration and will not rust
- Safe for use with propylene glycol (RV non-toxic) antifreeze
- On-demand operation with variable flow technology
- Adjustable pressure switch (45 to 65 PSI)
- No accumulator tank necessary; less cycling



21847 Universal 12V/3.0 GPM Water Pump (AP3000)  
21849 Universal 12V/3.0 GPM Water Pump (AP3000)/6pk Bulk

CE

FDA



ISO 8846

SAE J1171



- Quick and easy installation
- Ideal for RVs, food trucks, park models and wash-down stations
- Pre-wired with a 36" cord for plug-in installation

21855 Universal 115V/3.0 GPM Water Pump (AP3300)

CE

FDA



lead-free



\*Barbed Hose Adapters



### 50 MESH STRAINER

- Prevents debris and other particles from entering pump
- Screws directly to the pump head
- Transparent design for easy inspection

21850 50 Mesh Strainer

FRESHWATER

### PREMIUM WATER HOSES

- Manufactured with NSF listed materials
- 120 PSI (5/8") - 160 PSI (1/2") working pressure
- High-flow fittings

W20869	1/2" x 15' Premium Water Hose
W20863	1/2" x 25' Premium Water Hose
W20865	1/2" x 50' Premium Water Hose
W20866	5/8" x 25' Premium Water Hose
W20867	5/8" x 50' Premium Water Hose



### WASHDOWN HOSE KIT

- UV-protected 20' polyurethane coil hose with molded end fittings to eliminate corrosion
- Comfort grip nozzle with anti-slip handle
- Adjustable spray tip
- Coiled hose reduces kinks and stores neatly and safely
- Ideal for boats, RV's and home clean up
- Includes 1/2" x 3/4" and 3/4" x 1" NPS pipe adapters, 1" NPS x 5/8" quick connect and 3/4" garden hose x 5/8" quick connect adapters
- Mate with Aqua Pro 3.0 GPM or 5.5 GPM water pump for a complete washdown system

21960 Washdown Hose Kit



**Everything you need to get on the road to adventure!**



### STANDARD RV STARTER KIT

27588A Standard RV Starter Kit

#### Standard kit includes:

One triangular electrical adapter 30A Female-15A Male; one 3" hose clamp; one sewer hose straight adapter; one 3" x 10' standard sewer hose; two Walex Porta-Paks; one 1/2" x 15' water hose; one roll super soft tissue; and one large pair of nitrile gloves.



### DELUXE RV STARTER KIT

27589A Deluxe RV Starter Kit

#### Deluxe kit includes:

One triangular electrical adapter 30A Female-15A Male; one 3" hose clamp; one sewer hose straight adapter; one 3" x 10' standard sewer hose; two Walex Porta-Paks; one 1/2" x 25' water hose; one Aqua Pro standard water regulator; one multi-surface level; one roll super soft tissue; and one large pair of nitrile gloves.

### STANDARD WATER REGULATOR



- Protects your plumbing system from damage due to excessive water pressure
- Outlet pressure regulated at 40-50 PSI
- Rated for inlet pressure up to 150 PSI
- Made with non-toxic, food-grade materials; lead-free
- Includes replaceable strainer

21851	Water Regulator, 1/Card
21852	Water Regulator, 1/Box

### WATER HEATER ANODE RODS

- Significantly extends water heater tank life
- Attracts and protects tank from elements that cause corrosion
- Simple replacement for MPT drain plug
- Replace annually for best results
- Lead free



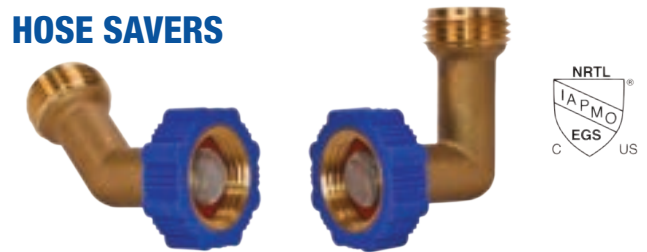
Magnesium Anode Rod for Suburban & Morflo Water Heaters, 9-1/2" L, 3/4" MPT:

69716	1/Card
69717	Bulk

Magnesium Anode Rod for Atwood Water Heaters, 4-1/2" L, 1/2" MPT:

69718	1/Card
69719	Bulk

### HOSE SAVERS



- Prevents hose kinks to ensure the free flow of water
- Pre-assembled EZ hose gripper
- Includes replaceable strainer
- Made with non-toxic, food-grade materials; lead-free

21853	45° Hose Saver, 1/Card
21854	90° Hose Saver, 1/Card

### CHECK VALVES



- Prevents back flow
- Replacement for Marshall Brass and Hydronamic Products
- Made with non-toxic, food-grade materials; lead-free
- Certified to IAPMO and NSF standards

20809	Check Valve, 1/2" MxF, 1/Card
20812	Check Valve, 1/2" MxF, Bulk
20818	Check Valve, 1/2" MxM, 1/Card
20810	Check Valve, 1/2" MxM, Bulk

### CAPS & PLUGS

- Keep dirt and debris out of water hoses or regulators
- Fits 3/4" garden hose



27838	Plug and Strap, Bulk
27839	Plug and Strap, 1/Card
27917	Cap and Strap, 1/Card

### WATER FILLS



- Surface mount models are available in durable powder coated steel, white plastic and brushed aluminum, have a 3" outside diameter and require a 1-1/4" diameter cutout
- Recessed models available in durable powder coated steel, have a 4-1/2" outside diameter and require a 3-1/2" diameter cutout

Powder Coated Steel Recessed Mounting Flange w/1/2" FPT:

27882	Recessed Model, Colonial White, 1/Card
27886	Recessed Model, Polar White, 1/Card

Brushed Aluminum Surface Mounting Flange w/1/2" FPT:

27884	Surface Mount Model, 1/Card
-------	-----------------------------

Powder Coated Steel Surface Mounting Flange w/1/2" FPT:

27883	Surface Mount Model, Polar White, Bulk
27881	Surface Mount Model, Polar White, 1/Card

White Plastic Surface Mounting Flange w/1/2" MPT:

27895	Surface Mount Model, Polar White, Bulk
27893	Surface Mount Model, Polar White, 1/Card

FRESHWATER

FRESHWATER

# SANITATION



## PORTABLE WASTE TRANSPORTERS

- Easy disposal of wastewater without having to break camp
- Low-profile design for easy storage
- Garden hose inlet for easy cleanup
- Blow-molded polyethylene construction is lightweight yet sturdy and won't rust or corrode
- Can be used with both grey and black water holding tanks
- All tanks come completely assembled
- Built-in storage compartment stocked with FREE accessories

### 4-WHEEL TOTE-N-STOR®

Available in 18, 25 & 38 gallon sizes

- Integrated ventilation system allows fast and easy filling and draining
- Translucent sight tube shows fill level
- Smart design lets you drain without lifting, allows filling without bulging, and prevents handle from falling to the ground
- Rubber wheels make steering easy
- Extended tow handle prevents tank from hitting your heels

20122	18 Gal.
20123	25 Gal.
20129	38 Gal.



### 2-WHEEL TOTE-N-STOR®

Available in 15, 25 & 32 gallon sizes

25607	15 Gal.
25608	25 Gal.
25609	32 Gal.



### CARRY TANK

Available in 6 gallon size

Easy to carry, without wheels

25951	6 Gal.
-------	--------



### FREE ACCESSORY KIT included with 4-wheel models



- KIT INCLUDES:**
- (1) 3/4" x 15" greywater hose
  - (2) 3" caps with 3/4" garden hose thread connection
  - (1) 3" x 36" sewer drain hose
  - (1) 3/4" garden hose cap and strap
  - (2) 3" straight hose adapters
  - (2) hose clamps

### FREE ACCESSORY KIT included with 2-wheel 15, 25 & 32 gallon models



- KIT INCLUDES:**
- (1) 3/4" x 15" greywater hose
  - (1) 3" cap with 3/4" garden hose thread connection
  - (1) 3" x 36" sewer drain hose
  - (1) 3/4" garden hose cap and strap
  - (1) 3" straight hose adapter
  - (1) hose clamp
  - (1) tow bracket

### 2-WHEEL REPLACEMENT PARTS

W013018	3/4" x 15" greywater hose
20099	3/4" garden hose cap and strap
24654	3" straight hose adapter
24655	3" cap with 3/4" garden hose thread connection
25644	Tow bracket
27282	Accessory compartment replacement lid
27551	Tire/wheel assy (1)
28209	3" x 36" sewer drain hose

### 4-WHEEL REPLACEMENT PARTS

W013018	3/4" x 15" greywater hose
20015	Tire/wheel assy, rear (1)
20016	Caster assy, front (1)
20020	T-valve holder assembly
20023	Axle, rear
20025	Tow bar clamp
27282	Accessory compartment replacement lid
20036	Replacement tow bars 38 Gal.
20037	Replacement tow bars 18 Gal.
20038	Replacement tow bars 25 Gal.
24655	3" cap with 3/4" garden hose thread connection
20683	3" plain cap
20099	3/4" garden hose cap and strap
28209	3" x 36" sewer drain hose

# GATOR SEWER HOSE KITS

## WIRE REINFORCED SEWER HOSE KITS

### 21 MIL POLYPROPYLENE HOSE

- Rigid hose resists crushing
- 21 mil polypropylene withstands abrasions
- Clear elbow shows when tank is empty
- Reinforced with steelwire ribbing
- Twist-lock fittings with gaskets



- 22003 15' Sewer Hose Kit,  
1 Hose Extends from 53" to 15',  
Includes Clear Elbow and 2 Drip Caps
- 22004 20' Sewer Hose Kit,  
2 Hoses, Each Extend from 38" to 10',  
Includes Clear Elbow and 4 Drip Caps
- 22007 30' Sewer Hose Kit,  
2 Hoses, Each Extend from 53" to 15',  
Includes Clear Elbow and 4 Drip Caps



## POLYMER RIBBED SEWER HOSE KITS

### 24 MIL POLYPROPYLENE HOSE

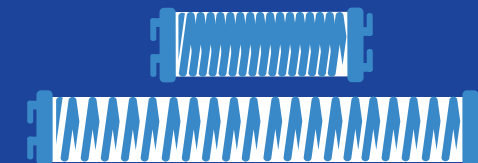
- Pliable hose recovers from crushing
- 24 mil polypropylene withstands abrasions
- Clear elbow shows when tank is empty
- Reinforced with resilient polymer ribbing
- Twist-lock fittings with gaskets



- 22005 15' Sewer Hose Kit,  
1 Hose Extends from 57" to 15',  
Includes Clear Elbow and 2 Drip Caps
- 22006 20' Sewer Hose Kit,  
2 Hoses, Each Extend from 39" to 10',  
Includes Clear Elbow and 4 Drip Caps
- 22008 30' Sewer Hose Kit,  
2 Hoses, Each Extend from 57" to 15',  
Includes Clear Elbow and 4 Drip Caps



## SWIVEL "TWIST LOCK" FITTINGS



## ADJUSTABLE LENGTH HOSE



### WIRE REINFORCED SEWER HOSE EXTENSION

- 22193 10' Sewer Hose Extension,  
1 Hose Extends from 38" to 10',  
\*DOES NOT Include Clear Elbow or Drip Caps
- 22195 15' Sewer Hose Extension,  
1 Hose Extends from 53" to 15',  
\*DOES NOT Include Clear Elbow or Drip Caps



### POLYMER RIBBED SEWER HOSE EXTENSION

- 22194 10' Sewer Hose Extension,  
1 Hose Extends from 39" to 10',  
\*DOES NOT Include Clear Elbow or Drip Caps
- 22196 15' Sewer Hose Extension,  
1 Hose Extends from 57" to 15',  
\*DOES NOT Include Clear Elbow or Drip Caps



### SEWER HOSE DRIP CAPS

- 22191 2 Drip Caps



### CLEAR 90° ELBOW

- 22192 Clear Elbow



### TPE SEALS

- 22190 Replacement TPE Seals (Qty 3)

## RV SEWER HOSE SUPPORTS

- Elevates sewer hose
- Flexible, durable and sturdy
- Deep groove hose support
- Slopes for drainage
- Easy to store
- Made of durable, heavy duty plastic

- 21856 10' RV Sewer Hose Support  
21857 15' RV Sewer Hose Support  
21858 20' RV Sewer Hose Support



Velcro Strap Included



**DRAIN HOSES**

Duraflex drain hoses are rugged, and remain flexible in all weather conditions. They are easy to install, and come in a variety of lengths. All drain hoses have a 3" inside diameter and are easy to compress for storage.

**STANDARD**



- 8-mil vinyl
- .0375" wire diameter
- 18 coils per foot

24950	10' Drain Hose / Boxed
24951	20' Drain Hose / Boxed
24948	10' Drain Hose / Bagged
24949	20' Drain Hose / Bagged

**HEAVY-DUTY**



- 12-mil vinyl
- .0375" wire diameter
- 20 coils per foot

24952	10' Drain Hose / Boxed
28273	15' Drain Hose / Boxed
24953	20' Drain Hose / Boxed

**DELUXE HEAVY-DUTY**



- 16-mil vinyl
- .045" wire diameter
- 25 coils per foot

24956	10' Drain Hose / Boxed
24957	20' Drain Hose / Boxed

**PREMIUM HEAVY-DUTY**



- 20-mil vinyl
- .054" wire diameter
- 30 coils per foot

24958	10' Drain Hose / Boxed
24959	20' Drain Hose / Boxed

**SEWER AND DRAIN FITTINGS**

All Duraflex adapters, caps and fittings interchange with all industry standard fittings. Slip sockets and spigots have flanges that attach to drain valves. Bayonet end attaches 3" bayonet fittings to drain valves. Made of durable, UV-stabilized ABS.



**SLIP SOCKET FLANGES**

27899	3"
27900	2"
27901	1-1/2"



**SPIGOT FLANGES**

27905	3"
27903	1-1/2"



**BAYONET FLANGE**

27902	3"
-------	----



**3" TERMINATION CAP W/ 3/4" GARDEN HOSE THREAD**

24655	w/ Bayonet Hooks & Cap, Carded
24651	w/ Bayonet Hooks & Cap, Bulk



**3" TERMINATION CAP**

24656	w/Bayonet Hooks, Carded
24652	w/Bayonet Hooks, Bulk



**3/4" HOSE CAP WITH STRAP**

20099	Bulk
-------	------



**3" STRAIGHT HOSE ADAPTER**

24654	3" Hose x 3" Bayonet Hooks, Carded
24650	3" Hose x 3" Bayonet Hooks, Bulk



**45° ANGLED HOSE ADAPTER**

24653	3" Hose x 3" Bayonet Hooks, Carded
24649	3" Hose x 3" Bayonet Hooks, Bulk



**45° HOSE ADAPTER**

- 45° angle eliminates hose kinks.
- Clear adapter allows you to see when your tank is rinsed clean.

27669	3" Hose x 3" Bayonet Hooks, Clear
-------	-----------------------------------



**BASIC WASTE VALVES**

- Threaded handle for easy replacement
- Stainless steel shafts
- Nitrile rubber seals for superior leak protection
- Includes plastic valves, handles and seals

24646	1-1/2"
24647	2"
24648	3"



**HOSE-TO-HOSE COUPLER**

Couple 2 or more 3" sewer hoses together for extended reach.

27906	3" Internal Coupler
-------	---------------------



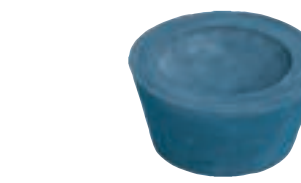
**4" SEWER HOSE BUMPER PLUG**

79403	Bumper Plug, 2/Card
70406	Bumper Plug, 1/Bulk



**CLOSET FLANGE SEAL Closed Cell Sponge Rubber**

20676	Closet Flange Seal, 9/16"
-------	---------------------------



**SEWER RING Closed Cell Sponge Rubber**

- Adapts fitting to sewer riser for a tight seal (Mandatory in some areas.)

21341	Sewer Ring
-------	------------

Limited 90 day warranty



**RV AND MARINE TOILET TISSUE**

- Soft, strong, absorbent and economical
- Facial quality tissue dissolves rapidly
- Flushes easily in all types of RV and marine toilets
- 2-ply tissue

25965	4 Roll Pkg. (Case Qty - 6 Pkgs)
-------	---------------------------------

SANITATION

SANITATION

# VENTILATION

## FAN BLADES / COVERS / INSULATOR



### FAN BLADES

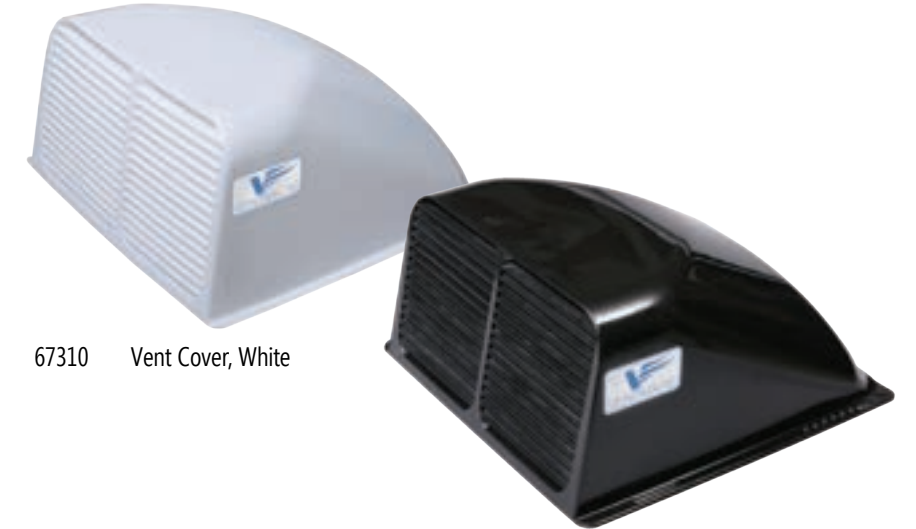
Impact resistant, plastic 6" white fan blades fit 12V powered roof vents and range hoods. Direction of spin is determined by looking down through the motor at the top of blade. CW=clockwise; CCW=counter clockwise.



- 65483 Ventline, 1/8" Round-Bore, CCW
- 65484 Ventline & Jensen 1/8" D-bore, CW
- 65485 Ventline & Jensen 1/8" D-bore, CCW
- 65491 Ventline 3/32" Round-bore, CCW

### VENT COVERS

Lets fresh air in while keeping the weather out! Aerodynamic design lets you keep the vents open even when it is raining. Includes installation hardware and a rubber roof vent kit, which means there is no need to remove existing vent mounting screws or drill holes.

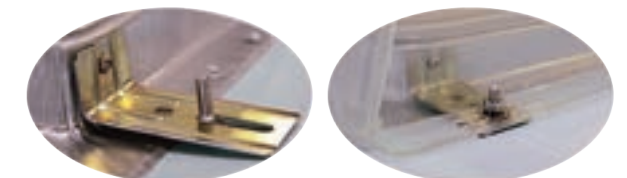


67310 Vent Cover, White

67313 Vent Cover, Black

### RUBBER ROOF VENT MOUNTING KIT

For installing vent covers without removing existing, sealed vent mounting screws.



65213 Rubber Roof Mtg. Kit

### VENT INSULATOR



Fits standard 14" x 14" vent openings



- Handy pull strap
  - Improves A/C efficiency
  - Keeps heat inside during winter and keeps heat and sun out during the summer
  - Removable cover for easy cleaning
- 67304 Vent Insulator With Pull Strap

### AIR CONDITIONER GASKETS



62901

65526

65527

- For perfect air conditioner installation
- Corners are pre-sealed for a water-tight fit

#### Air Conditioner Gasket

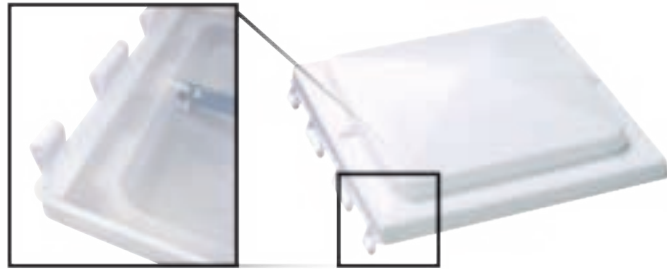
62901 A/C Seal 14" x 14"

65526 A/C Gasket Kit 14" x 14"

65527 A/C Gasket Kit 14" x 16"

## REPLACEMENT VENT LIDS FOR 14" x 14" VENTS

**FITS:**  
Pre-1995 Jensen Vents  
Heng's Pre-1995 Jensen Style Vents

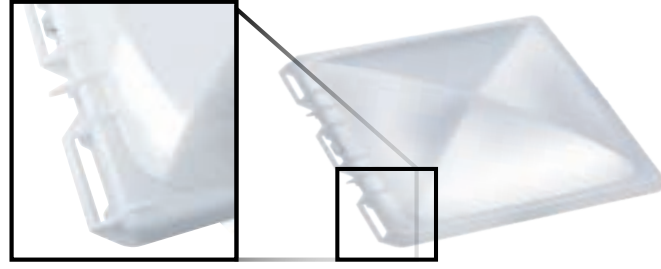


- 61628 White Assembled (Boxed)
- 63110 White Unassembled (Bagged)
- 63112 Smoke Unassembled (Bagged)



63112

**FITS:**  
1995+ Jensen Vents  
Heng's 1995+ Jensen Style Vents



- 69284 White Assembled (Boxed)
- 69282 White Unassembled (Bagged)
- 69283 Smoke Unassembled (Bagged)

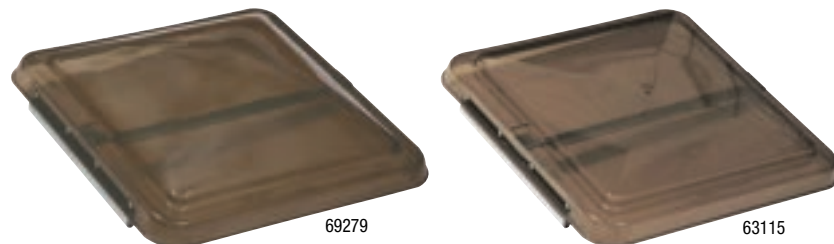


69283

**FITS:**  
All Ventline Vents  
1995+ Elixir Vents  
Heng's Universal Vents



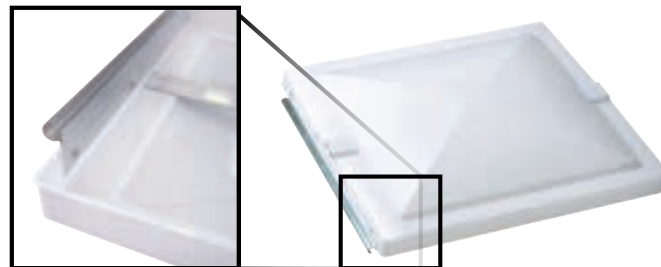
- 69280 White Assembled (Boxed)
- 65479 White Assembled (Boxed), Lifetime Warranty
- 69278 White Unassembled (Bagged)
- 69279 Smoke Unassembled (Bagged)
- 61255 White Assembled, Low Profile (Boxed)
- 63113 White Unassembled, Low Profile (Bagged)
- 63115 Smoke Unassembled, Low Profile (Bagged)



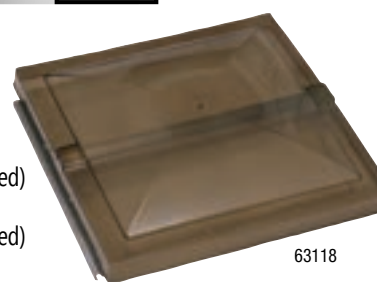
69279

63115

**FITS:**  
Pre-1995 Elixir Vents



- 61634 White Assembled (Boxed)
- 63116 White Unassembled (Bagged)
- 63118 Smoke Unassembled (Bagged)



63118

## REFRIGERATOR VENT LIDS

- Made of high-impact plastic
- UV-stabilized for long life
- Direct replacements for most New & Old style Dometic applications

### REFRIGERATOR VENT LIDS, WHITE



65528 Refrigerator Vent Lid, New Style Dometic



65529 Refrigerator Vent Lid, Old Style Dometic

### REFRIGERATOR VENT LIDS, BLACK



62712 Refrigerator Vent Lid, New Style Dometic

## UNIVERSAL REFRIGERATOR VENT LIDS & BASES

- Universal replacements that cover most Camco, Norcold and New & Old style Dometic refrigerator vent bases and lids
- Screws, alignment tools and detailed instructions are included for easy installation

### LID & BASE, POLAR WHITE

- 68290 Universal Refrigerator Vent Lid w/screws.
- 68291 Universal Refrigerator Vent Base w/screws.



### LID & BASE, BLACK

- 68292 Universal Refrigerator Vent Lid w/screws.
- 68294 Universal Refrigerator Vent Base w/screws.



ALIGNMENT TOOLS INCLUDED

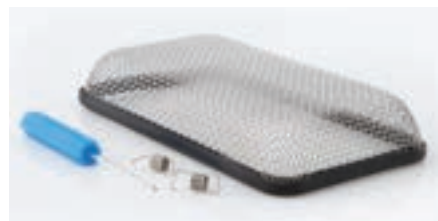


VENTILATION

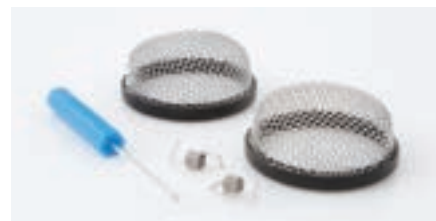
VENTILATION

## INSECT SCREENS

- Ventmate® insect screens prevent insects, mice, and other pests from entering and nesting inside your vented appliances while maintaining maximum airflow
- Unique silicone rubber edging provides scratch-free application\*
- Easy-grip tool with crossbar locator enables fast and easy spring installation\*
- Chrome-finished wire ties look great and are long lasting\*
- Protects children and pets from hot vent exposure



**VNT-F100 (Furnace Vent)**  
 Dimensions: 7-9/16"W x 4-1/8"H x 1-3/8"D  
 Use: Coleman, Hydro Flame, Sol-Aire, Suburban  
 Includes: (1) Screen, (2) 1" Springs, Installation Tool  
 68297 VNT-F100



**VNT-F200 (Furnace Vent)**  
 Dimensions: 2-7/8" Diameter x 1-3/16"D  
 Use: Duo-Therm (65900 Series), Suburban  
 Includes: (1) Screen, (2) 1" Springs, Installation Tool  
 68325 VNT-F200



**VNT-F300 (Furnace Vent)**  
 Dimensions: 4-7/8"W x 4-1/2"H x 1-1/8"D  
 Use: Hydro Flame 8500, 8900  
 Includes: (1) Screen  
 68304 VNT-F300



**VNT-F500 (Furnace Vent)**  
 Dimensions: 3-7/8"Diameter x 1-1/4"D  
 Use: Atwood 2004, Hydro Flame  
 Includes: (1) Screen, (2) 1" Springs, Installation Tool  
 68302 VNT-F500



**VNT-F600 (Furnace Vent)**  
 Dimensions: 6-7/8"W x 5-1/8"H x 2-3/8"D  
 Use: Atwood AFMD, Dometic  
 Includes: (1) Screen, (1) 1" Spring, (1) 1-3/4" Spring, Installation Tool  
 68660 VNT-F600



**VNT-R500 (Refrigerator Vent)**  
 Dimensions: 19-5/8"W x 1-1/4"D  
 Use: Norcold  
 Includes: (3) Screens, 6 Chrome Wire Ties  
 68393 VNT-R500



**VNT-R600 (Refrigerator Vent)**  
 Dimensions: 20"W x 1-1/2"D  
 Use: Dometic  
 Includes: (3) Screens, 6 Chrome Wire Ties  
 68339 VNT-R600



**VNT-R600A (Refrigerator Vent)**  
 Dimensions: 2-5/8"W x 1-5/8"D  
 Use: Dometic  
 Includes: (3) Screens, 3 Chrome Wire Ties  
 68671 VNT-R600A



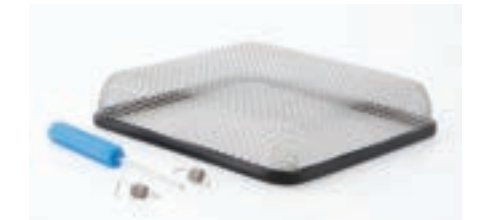
**VNT-R700 (Refrigerator Vent)**  
 Dimensions: 27-1/2"W x 1-1/4"D  
 Use: Norcold  
 Includes: (3) Screens, 6 Chrome Wire Ties  
 68585 VNT-R700



**VNT-R800 (Refrigerator Vent)**  
 Dimensions: 8"W x 1-1/2"D  
 Use: Dometic  
 Includes: (6) Screens, 12 Chrome Wire Ties  
 68401 VNT-R800



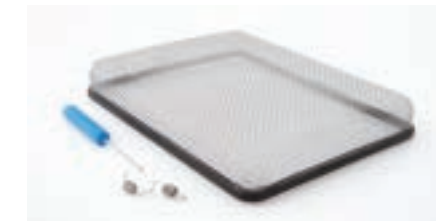
**VNT-W200 (Water Heater Vent)**  
 Dimensions: 4-1/2"W x 4-1/2"H x 1-1/4"D  
 Use: Suburban water heaters 6, 10, 12 & 16 gal with 4" louvers, 4" battery vents, Suburban furnace vents 8525, 8531, 8535, 8940 AC & 8940 DC  
 Includes: (1) Screen, (2) 1" Springs, Installation Tool  
 68327 VNT-W200



**VNT-W400 (Water Heater Vent)**  
 Dimensions: 6-3/4"W x 6-3/4"H x 1-1/2"D  
 Use: Suburban 6gal  
 Includes: (1) Screen, (2) 1" Springs, Installation Tool  
 68322 VNT-W400



**VNT-W500 (Water Heater Vent)**  
 Dimensions: 8-1/2"W x 5-7/8"H x 1-3/8"D  
 Use: Atwood/Dometic 6 & 10gal, Suburban 6gal  
 Includes: (1) Screen, (2) 1" Springs, Installation Tool  
 68335 VNT-W500



**VNT-W600 (Water Heater Vent)**  
 Dimensions: 9-3/4"W x 7-1/2"H x 1-1/2"D  
 Use: Suburban 10, 12 & 16gal  
 Includes: (1) Screen, (2) 1" Springs, Installation Tool  
 68309 VNT-W600

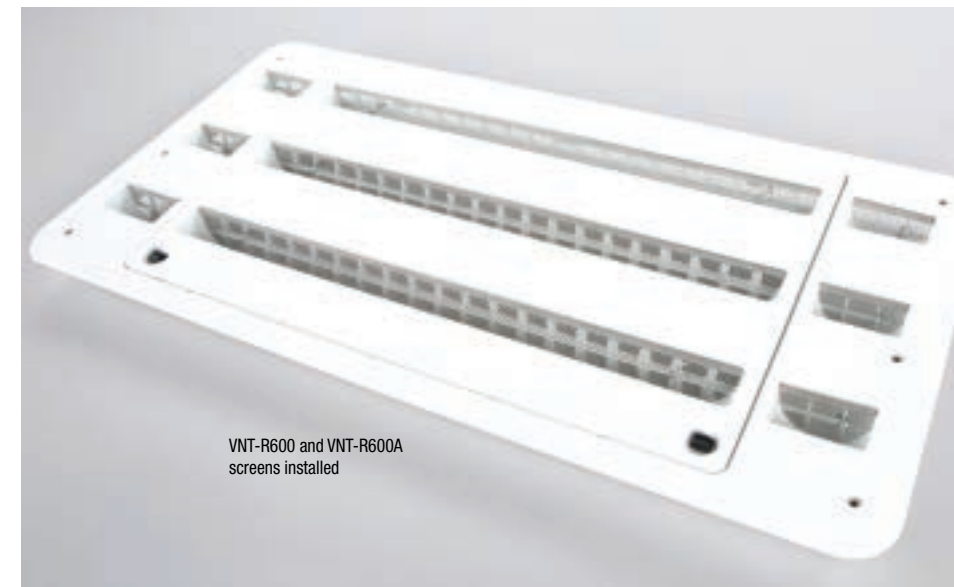


**Deluxe Tool Kit**  
 Deluxe installation kit to upgrade existing screens, of any brand, to have new springs and the rubber edging.  
 Includes: Installation Tool, (2) 1" Springs, (1) 1-3/4" Spring, 34" length of Silicone Rubber Edging  
 68673 Deluxe Tool Kit

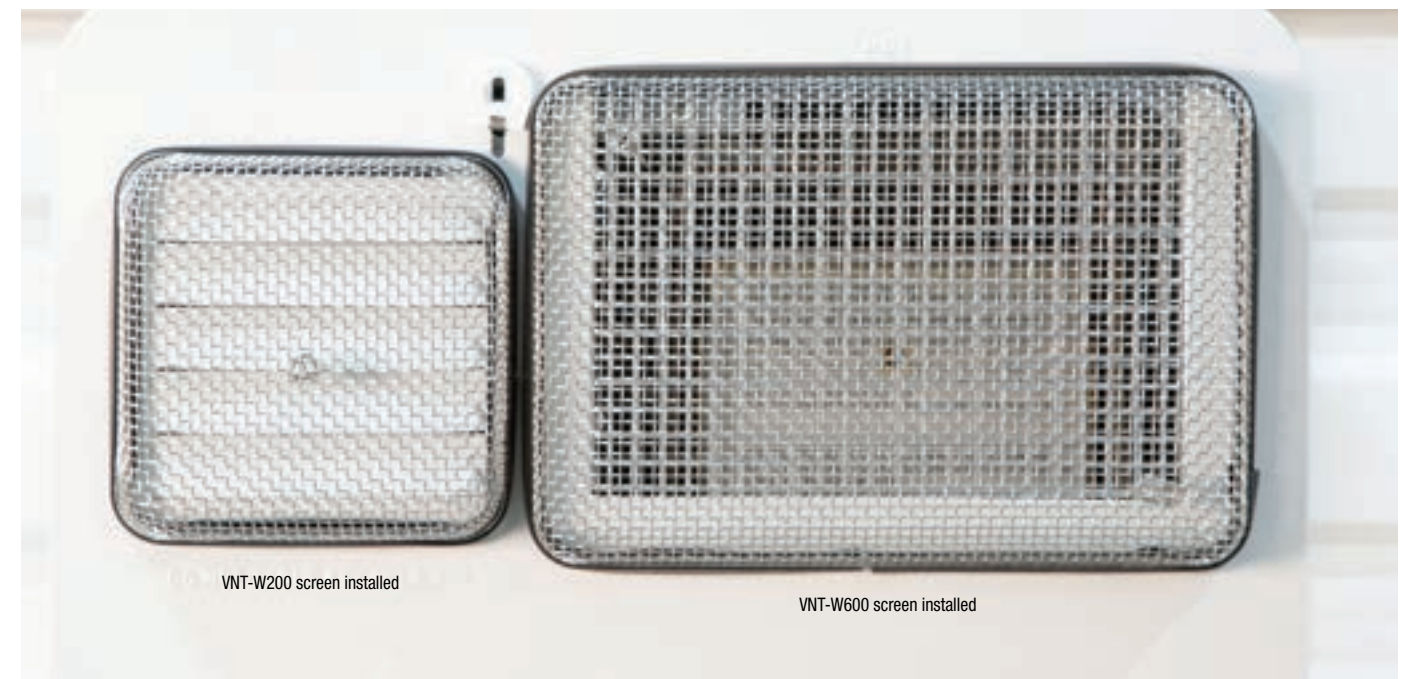


\*Application specific as indicated in screen descriptions

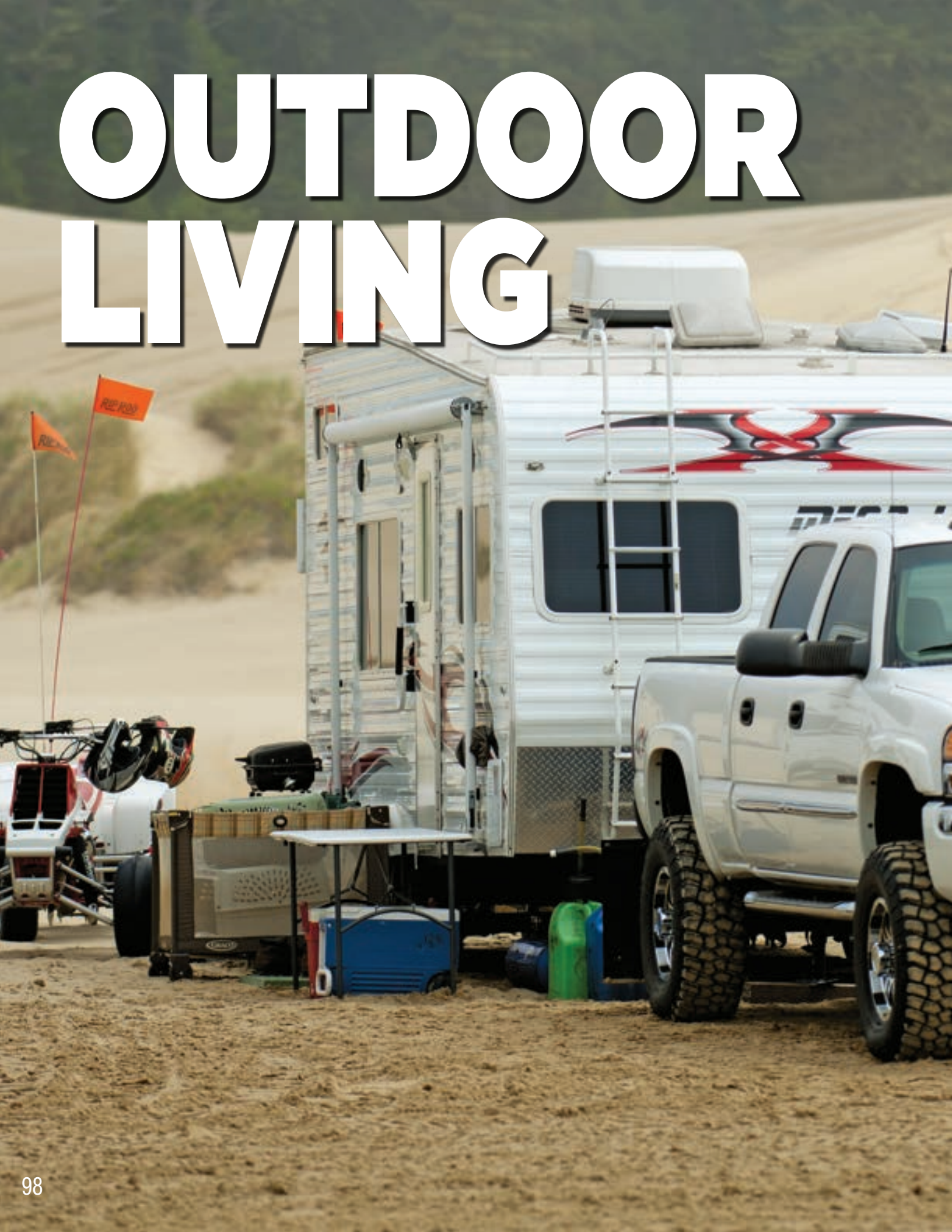




VENTMATE APPLIANCE INSECT SCREEN GUIDE						
Model#	Part#	Appliance	Use	Dimensions	Material	Includes
VNT-F100	68297	Furnace	Coleman, Hydro Flame, Sol-Aire, Suburban	7-9/16"W x 4-1/8"H x 1-3/8"D	Stainless Steel & Silicone Rubber	(1) Screen, (2) 1" Springs, (1) Installation Tool
VNT-F200	68325	Furnace	Duo-Therm (65900 Series), Suburban	2-7/8" Diameter x 1-3/16"D	Stainless Steel & Silicone Rubber	(2) Screen, (2) 1" Springs, (1) Installation Tool
VNT-F300	68304	Furnace	Hydro Flame 8500, 8900	4-7/8"W x 4-1/2"H x 1-1/8"D	Stainless Steel	(1) Screen
VNT-F500	68302	Furnace	Atwood 2004, Hydro Flame	3-7/8" Diameter x 1-1/4"D	Stainless Steel & Silicone Rubber	(1) Screen, (2) 1" Springs, (1) Installation Tool
VNT-F600	68660	Furnace	Atwood AFMD, Dometic	6-7/8"W x 5-1/8"H x 2-3/8"D	Stainless Steel & Silicone Rubber	(1) Screen, (1) 1-3/4" Spring, (1) 1" Spring, (1) Installation Tool
VNT-R500	68393	Refrigerator	Norcold	19-5/8"W x 1-1/4"D	Stainless Steel	(3) Screens, 6 Chrome Wire Ties
VNT-R600	68339	Refrigerator	Dometic	20"W x 1-1/2"D	Stainless Steel	(3) Screens, 6 Chrome Wire Ties
VNT-R600A	68671	Refrigerator	Dometic	2-5/8"W x 1-5/8"D	Stainless Steel	(3) Screens, 3 Chrome Wire Ties
VNT-R700	68585	Refrigerator	Norcold	27-1/2"W x 1-1/4"D	Stainless Steel	(3) Screens, 6 Chrome Wire Ties
VNT-R800	68401	Refrigerator	Dometic	8"W x 1-1/2"D	Stainless Steel	(6) Screens, 12 Chrome Wire Ties
VNT-W200	68327	Water Heater	Suburban water heaters 6, 10, 12 and 16gal with 4" louvers, 4" battery vents, Suburban furnace vents 8525, 8531, 8535, 8940 AC & 8940 DC	4-1/2"W x 4-1/2"H x 1-1/4"D	Stainless Steel & Silicone Rubber	(1) Screen, (2) 1" Springs, (1) Installation Tool
VNT-W400	68322	Water Heater	Suburban 6gal	6-3/4"W x 6-3/4"H x 1-1/2"D	Stainless Steel & Silicone Rubber	(1) Screen, (2) 1" Springs, (1) Installation Tool
VNT-W500	68335	Water Heater	Atwood/Dometic 6 & 10gal, Suburban 6gal	8-1/2"W x 5-7/8"H x 1-3/8"D	Stainless Steel & Silicone Rubber	(1) Screen, (2) 1" Springs, (1) Installation Tool
VNT-W600	68309	Water Heater	Suburban 10, 12 & 16gal	9-3/4"W x 7-1/2"H x 1-1/2"D	Stainless Steel & Silicone Rubber	(1) Screen, (2) 1" Springs, (1) Installation Tool



# OUTDOOR LIVING

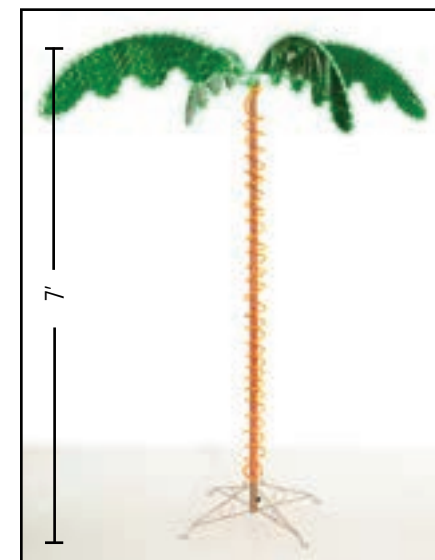


## THEMED DECORATIVE LED LIGHTING

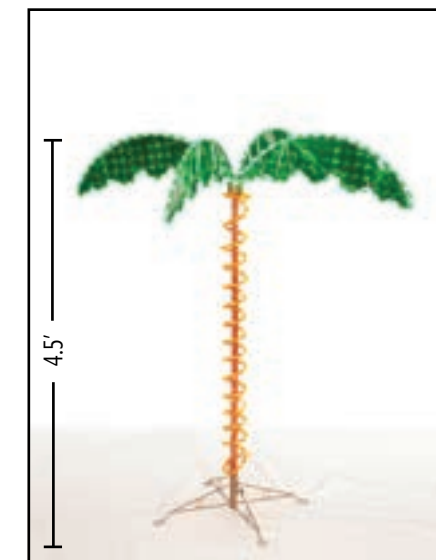
- Eye-catching designs add a festive look to your outdoor living space
- Bright, safe, and energy efficient LED rope lighting
- Constructed with quality steel and a UV-protected film for lasting, vibrant color
- Collapsible, portable, and easy to store
- Easy assembly, no tools required
- Ground stakes included
- 120V AC, 60Hz
- For use in dry exterior or interior spaces
- Operating temperature range: -31° F (-35° C) to 120° F (49° C)
- Use GFCI protected outlets and outdoor use extension cords
- Replacement fuse (included): 8A, 125V
- Safety tested and UL listed



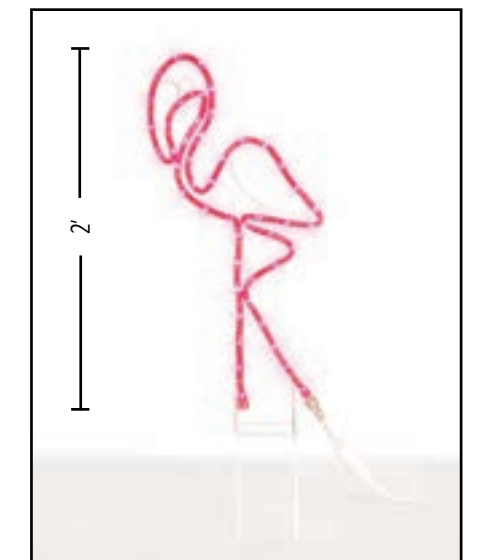
OUTDOOR LIVING



**7' LED ROPE LIGHT PALM TREE**  
Dimensions: 84in H x 72in W  
20522 7' LED Rope Light Palm Tree



**4.5' LED ROPE LIGHT PALM TREE**  
Dimensions: 55in H x 51in W  
20521 4.5' LED Rope Light Palm Tree



**2' LED ROPE LIGHT FLAMINGO**  
Dimensions: 24in H x 12in W  
20520 2' LED Rope Light Flamingo

### SCREEN DOOR PUSH BARS

- Designed with durable, lightweight aluminum
- Helps prevent screen door push damage from kids and pets
- Adjustable bar expands and retracts to fit most RV door sizes (21" - 28.75" L)
- ABS plastic handle is UV-resistant which prevents color fading
- Required hardware and instructions are included for a fast and easy installation

Expanded: 28-3/4" L x 1-3/8" W x 1-7/8" D  
 Retracted: 21" L x 1-3/8" W x 1-7/8" D  
 Standoff Spacing from Door: 15/16" (inside dim);  
 1-7/8" (outside dim)



**ALUMINUM WITH WHITE HANDLE**  
 400000 Push Bar with White Handle



**ALUMINUM WITH BLACK HANDLE**  
 400001 Push Bar with Black Handle

### TABLE LEG BASES

- Stabilize table legs and stop pedestal wobble
- Bright aluminum finish



48731 Surface Mount Base, Round, 7-1/2" Dia.



48732 Flush Mount Base, Round, Recessed, 6-1/4" Dia. Hole Insert is 2.2" Dia., 2" Deep



48733 Flush Mount Base, Square 5-15/16" x 5-15/16" Recessed



### DELUXE MULTI-PURPOSE MATS

- Ideal for camping, tailgating, boating and hunting
- Lightweight, 100% polypropylene
- UV, mold and mildew resistant
- Easy to clean
- Reverse pattern on opposite side
- Built-in corner tie-downs for staking
- Carry bag & corner stakes included



**GRAPHIC - Black/Grey**  
 53012 9'x12'  
 53016 8'x16'  
 53020 8'x20'



**GRAPHIC - Blue/Grey**  
 53013 9'x12'  
 53017 8'x16'  
 53021 8'x20'



**SWISH - Blue/Grey**  
 53007 9'x12'  
 53009 9'x18'



**GRAPHIC - Burgundy/Grey**  
 53014 9'x12'  
 53018 8'x16'  
 53022 8'x20'



**GRAPHIC - Brown/Beige**  
 53015 9'x12'  
 53019 8'x16'  
 53023 8'x20'



**SWISH - Black/Grey**  
 53008 9'x12'  
 53011 9'x18'



**HORSES**  
 53006 9'x12'



**DEER**  
 53002 9'x12'



**SWISH - Brown/Beige**  
 53010 9'x18'



**HOME**  
 53004 9'x12'  
 53005 9'x18'



**BEACH**  
 53000 9'x12'



**PALM TREES**  
 53001 9'x18'

#### CARRY BAG & CORNER STAKES INCLUDED



OUTDOOR LIVING

OUTDOOR LIVING

### DELUXE MULTI-PURPOSE MATS

- Ideal for camping, tailgating and boating • Lightweight, 100% polypropylene • UV, mold and mildew resistant • Easy to clean
- Reverse pattern on opposite side • Built-in corner tie-downs for staking (excludes 36" x 68" mats)



**STRIPED - Aqua/Navy/Lime/White\***

68678 9'x12'  
68679 8'x20'



**STRIPED - Navy/White/Lime/Beige\***

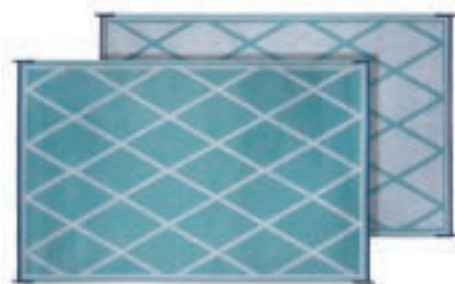
68790 9'x12'  
68800 8'x20'



**STRIPED - Blue/Brick/Beige/Green\***

68841 36"x 68"  
68845 9'x12'  
68847 8'x20'

\*Same pattern on both sides



**DIAMOND - Turquoise/White**

68901 36"x 68"  
68902 9'x12'  
68903 8'x20'



**DIAMOND - Blue/Ivory**

68912 9'x12'  
68919 8'x20'



**DIAMOND - Black/Beige**

68888 9'x12'  
68900 8'x20'



**SWIRL - Black/Beige**

68946 9'x12'  
69098 8'x20'



**SWIRL - Brown/Beige**

68859 36"x 68"  
68860 9'x12'  
68862 8'x20'



**STARS 'N STRIPES**

68865 36"x 68"  
68872 9'x12'  
68877 8'x20'



**CARIBBEAN - Paradise Blue**

48896 9'x12'  
48932 9'x18'



**CARIBBEAN - Sahara Brown**

48933 9'x12'  
48934 9'x18'

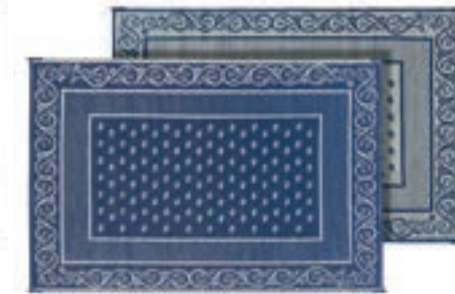
### DELUXE MULTI-PURPOSE MATS

- Ideal for camping, tailgating and boating • Lightweight, 100% polypropylene • UV, mold and mildew resistant • Easy to clean
- Reverse pattern on opposite side • Built-in corner tie-downs for staking (excludes 36" x 68" mats)



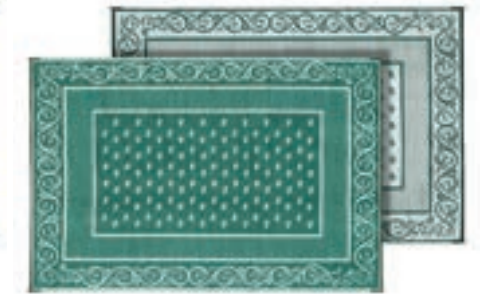
**VINEYARD - Beige**

48824 36"x 68"  
48695 6'x9'  
48700 9'x12'  
49599 8'x16'  
48703 8'x20'



**VINEYARD - Blue**

48698 6' x 9'  
48701 9'x12'  
48704 8'x20'



**VINEYARD - Green**

48699 6' x 9'  
48702 9'x12'  
48705 8'x20'



**SUMMER WAVES - Green/Blue**

45637 8'x16'  
46294 8'x20'



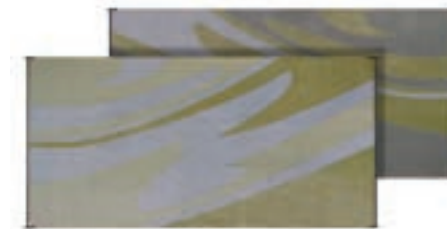
**SUMMER WAVES - Tan/Gold**

45638 8'x16'  
46322 8'x20'



**SUMMER WAVES - Black**

46258 8'x16'  
46341 8'x20'



**MIRAGE - Silver/Gold**

46354 8'x16'  
46362 8'x20'



**MIRAGE - Burgundy**

46361 8'x16'  
46363 8'x20'



**FINISH LINE**

48823 36"x 68"  
48707 6'x9'  
48708 9'x12'  
48709 8'x20'



**INDEPENDENCE DAY**

49601 36"x 68"  
46503 9'x12'  
49600 8'x16'  
46502 8'x20'

#### MAT CARRY BAG

- Durable, water-resistant black nylon material
  - Extra internal compartment for accessories 13"H x 6.75"W x 2.75"D
  - Secured with Velcro® strap
  - Adjustable shoulder strap for easy carrying
  - Room for multiple mats inside
  - Bag Dimensions (inside dims): 14"H x 37.75"W x 7"D
- 48829 Carry Bag



OUTDOOR LIVING

OUTDOOR LIVING

### COMPACT DIRECTOR'S CHAIR

- Quick and easy set up and folds down to ultra-compact size for carrying and storage
- Side pouch storage holds accessories like cell phones, bottles, or remotes
- Folding side table with built-in cup holder for easy food and drink accessibility
- Stain-resistant, easy-to-clean polyester
- Weight capacity: 300 lb
- Open: 20.47" D x 33.85" W x 36.60" H
- Folded: 20.47" D x 7.48" W x 18.89" H

52284 Black



### DIRECTOR'S CHAIRS

- Quick and easy set up and folds down for compact storage
- Side pouch storage holds accessories like cell phones, bottles, or remotes
- Folding side table with built-in cup holder for easy food and drink accessibility
- Frame is designed with lightweight yet sturdy 1-5/8" aluminum tubing
- UV-resistant polyester fabric prevents color fading
- Weight capacity: 300 lb
- Open: 20.87" D x 23.62" W x 31.89" H
- Folded: 20.87" D x 6.7" W x 31.89" H

48870 Green  
 48871 Black  
 48872 Blue  
 52283 Burgundy  
 49480 Repl. Foot pads (4)



### EL CAPITAN DIRECTOR'S CHAIRS

- Quick and easy set up and folds down for compact storage
- Built-in insulated cooler stores up to 12 cans
- Folding side table with built-in cup holder for easy food and drink accessibility
- Frame is designed with lightweight yet sturdy 1-5/8" aluminum tubing
- UV-resistant 600D polyester fabric prevents color fading and is easy to clean
- Weight Capacity: 300 lb
- Open: 21.25" D x 43.3" W x 37" H
- Folded: 21.25" D x 5.51" W x 37" H

49580 Black  
 49581 Blue/Black  
 49582 Burgundy/Black  
 52287 Green/Black  
 69230 Dark Blue/Light Green



### RECLINER CARRYING BAG

- Carry and protect all recliners from scratches, dirt, water and grease
- Made with tough, vinyl-coated polyester with reinforced shoulder strap
- Vented design prevents mold and mildew
- Dimensions: 40.9" W x 27.2" H

43951 Recliner Bag, Black



### DELUXE DIRECTOR'S CHAIRS

- Quick and easy set up and folds down for compact storage
- Frame is designed with lightweight yet sturdy 1-5/8" aluminum tubing
- UV-resistant polyester fabric prevents color fading
- Breathable mesh panel promotes air flow in hot and humid weather
- Built-in carrying handles allow easy carrying when folded
- Weight capacity: 250 lb
- Open: 22.05" D x 26.38" W x 36.61" H
- Folded: 22.05" D x 7.09" W x 36.61" H

43946 Green  
 43947 Blue  
 43948 Black  
 44019 Repl. Foot pads (4)



### DAKOTA ROCKING CHAIRS

- Frame is constructed of lightweight yet sturdy aluminum
- UV-resistant 600D polyester features padding and backrest for added comfort
- Side pouch storage holds accessories like cell phones, bottles, or remotes
- Quick and easy set up and folds down for carrying
- Weight capacity: 300 lb
- Open: 36.22" D x 24.01" W x 42.51" H
- Folded: 46.85" D x 24.01" W x 6.69" H

49596 Burgundy/Black  
 49597 Black  
 49598 Blue/Black

### BIG DOG BUCKET CHAIRS

- Soft, padded chair is designed for long, comfortable seating
- Quick and easy set up and folds down for compact storage
- Frame is designed with lightweight yet sturdy 1-5/8" aluminum tubing
- UV-resistant 600D polyester fabric prevents color fading and is easy to clean
- Stores inside convenient carry bag with shoulder strap
- Weight capacity: 300 lb
- Open: 31.5" D x 33.5" W x 35.4" H
- Folded: 9.8" D x 11.8" W x 41.7" H

49570 Black  
 49575 Blue/Black  
 49579 Burgundy/Black  
 52286 Green/Black  
 52285 Camo



OUTDOOR LIVING

OUTDOOR LIVING

### PORTABLE GAS GRILLS

- Stainless steel grilling surfaces
- Works with disposable propane bottles, a portable tank, or your RV's propane supply
- Drip tray
- Thermometer
- Locking top
- Portable stand
- All models stand 22" tall
- CSA approved and UL listed for use within North America



### DELUXE GAS GRILLS

- Main Grill: 20.35" x 12.2"
- Upper Rack: 14.7" x 4.57"

52301 Black Grill w/ Adapter (for use with disposable LP bottles)  
 52302 Stainless Grill w/ Adapter (for use with disposable LP bottles)



### STANDARD GAS GRILLS

- Main Grill: 16.7" x 13.4"
- Upper Rack: 11.8" x 5.9"

51307 Black Grill  
 51322 Black Grill w/ Adapter (for use with disposable LP bottles)

### GAS GRILL REPLACEMENT PARTS

- 51856 Grill Grate (for use with Standard Gas Grills)
- 51938 Gas Valve
- 51939 Thermometer
- 51940 Handle (for use with Standard Gas Grills)
- 51942 Igniter
- 51324 Disposable Bottle Adapter

### CAMP CUISINE PORTABLE KITCHEN

- Aluminum top panel
- Wind deflector for your camp stove
- Three shelves
- Zipper doors
- Open: 22" D x 35" W x 32.2" H
- Folded: 22" D x 37.4" W x 5.1" H

49583 Portable Kitchen



### OASIS FOLDING COOLER

- Keeps your beverages cold
- Features large zipper top and Velcro lid for easy access
- Removable washable liner
- Folds down to compact size
- Open: 18.1" W x 25.6" H
- Folded: 7.87" W x 24" H

49569 Soft Cooler



### FOLDING PICNIC TABLES

- Weather-resistant, UV-protected high-density polyethylene provides long-lasting durability
- Rust-resistant steel folding frame is lightweight yet sturdy
- Stain-resistant surface is easy to clean and maintain



### FOLDING PICNIC TABLE & 2 BENCHES

- Compact outdoor set that folds down with benches that nest for convenient stowing
- Table dimensions: 44-1/2" x 27-1/8" by 28-3/4" high
- Bench dimensions: 37-3/4" x 9" by 16-1/2" high
- Table weight capacity: 220 lb
- Bench weight capacity: 440 lb

69863 Folding Picnic Table and 2 Benches



### 6FT. FOLDING TABLE

- Multi-purpose table folds two ways for maximum stowing efficiency
- Rectangular table opens to 71-5/8" x 29-1/2" x 29-1/2" high
- Folds to 36" x 24-1/2" x 3-1/4"
- Table weight capacity: 330 lb

69864 6' Folding Table



### 4FT. FOLDING TABLE

- Multi-purpose table folds two ways for maximum stowing efficiency
- Rectangular table opens to 48-3/8" x 24-1/2" x 29-1/2" high
- Folds to 24-3/8" x 24" x 3-3/16"
- Table weight capacity: 220 lb

69873 4' Folding Table



### COLLAPSIBLE UTILITY CONTAINER

- Expands to 24" high and collapses to 2" high
- Polyethylene fabric container with zipper top lid and carry handles
- Spiral rib support extends and holds container to full height and adds wall support and strength
- Includes 1 plastic ground stake and storage bag
- Holds 33 gallon leaf and lawn bags

45640 Utility Container



OUTDOOR LIVING

OUTDOOR LIVING

# MERCHANDISING



## HITCH DISPLAYS



**HUSKY BANNER**  
#HUSBANNER



**HUSKY WEIGHT DISTRIBUTION DISPLAY STAND**  
Holds one Weight Distribution hitch including Centerline TS and Roundbar styles. Hitches sold separately.  
31370 W/D Display Stand



**HUSKY RECEIVER HITCH DISPLAY STAND**

This point of purchase display is designed to showcase five Husky® 2" receiver hitches. Included header card supplies customers with Husky® product information and specifications. Hitches are sold separately.

90340 Husky® Receiver Hitch Display Stand



**HUSKY 2-TIER WEIGHT DISTRIBUTION DISPLAY STAND**  
Holds two Weight Distribution hitches including Centerline TS and Roundbar styles. Hitches sold separately.  
33144 2 Tier W/D Display Stand w/Header Card



**HUSKY 5TH WHEEL DISPLAY STAND**

Universal display stand holds all Husky 5th Wheel hitches including adapters. Hitches sold separately.

33145 Universal Display Stand w/Header Card

MERCHANDISING

**HUSKY TOWING PLANOGRAM 90346K**

The Husky 4ft Planogram is designed to maximize profitability in a minimum amount of space. The display assortment includes 90 towing products and is ideal for an end cap in your store. Products include 5th wheel hitch accessories, hitch balls, sway control items, and more towing accessories. A 46" x 12" header card completes the display and attracts consumer attention in store.



PART#	ITEM DESCRIPTION	QTY
<b>ROW 1</b>		
33160	HITCH LOCK 5/8" DIA SUPER DUTY	4
33159	HITCH LOCK 5/8"	3
33862	5TH WHEEL LUBE DISC 8 INCH	6
34914	5TH WHL LUBE DISC HD 10 INCH	6
32256	5TH WHEEL LUBE DISC 12" 6.25MM	6
<b>ROW 2</b>		
33165	HITCH LOCK 1/2"	3
34521	HITCH PIN/CLIP 1/2" CD/1	6
33790	HITCH PIN/CLIP 5/8" CD/1	6
33164	COUPLER LOCK CD/1 END/CD/1	6

PART#	ITEM DESCRIPTION (CONT.)	QTY
<b>ROW 3</b>		
33161	5TH WHEEL LOCK	2
33069	UNIVERSAL MOUNTING BRACKET	2
30135	CONNECT 7WAY PLAS TRL END CD/1	2
33061	4 FLAT TO 7RV & 4 FLAT WIRING KIT	2
13165	MULTI-TOW HARNESS HUSKY	2
30015	CONNECT 7WAY PLAS CAR END/CD/1	2
14437	ADAPT MULTI TOW 7 TO 5,4 HUSKY	2
33059	EXACT OE REPL 7 BLADE & 4 FLAT CONNECTOR	2
<b>BALL RACK</b>		
33844	BALL 1-7/8X3/4X1-3/4 CHROME	3
30601	BALL 2 X 1 X 1	3
33849	BALL 2 X 3/4 X 1-3/4 CHROME	3
32913	BALL 2X1X2-1/8 CHROME - 7500LB B	3
32914	BALL 2X1X2-7/8 CHROME 7500LB B	3
33855	BALL 2-5/16X1X2-1/8 CHROME	3
30678	BALL 2-5/16X1-1/4X2-5/8 CHROME	3
<b>BALL MOUNT RACK ROW 1</b>		
31341	BALL MT CLS II 6-5/8X5/8X1-1/4	2
31354	BALL MT DOUBLE TOW BULK HUSKY	1
31364	BALL MT CLS IV STGHT 8X3/4X2	1
31358	BALL MT CLS III 10X3X4-1/4	1
31357	BALL MT CLS III 8X3/4X2	1
31367	BALL MT KT 2IN BALL 3-1/4"DROP	2
31366	BALL MT KIT 2IN BALL 2IN DROP	2
<b>BALL MOUNT RACK ROW 2</b>		
31342	BALL MT CLII 7-7/8X2-1/4X2-7/8	2
31349	BALL MOUNT TRIPLE BALL	1
<b>SHELF 1</b>		
34715	SWAY CONTROL - RH	2
37498	SWAY CONTROL - LH	2
<b>BASE SHELF</b>		
30001	TRI-BALL ADJ BALL MOUNT HUSKY	1
30392	T-CONNECTOR FOR 5TH WHEEL	2
19356	TRAILER END CONNECTOR KIT 8'	2
33140	SWITCH HITCH	1
33055	2-5/16" GOOSENECK BALL	3
33129	3" TO 2" REDUCER	1
33131	3" TO 2.5" REDUCER	1
33133	2.5" TO 2" REDUCER	1
90352	1/2 & 1/2 HITCH RACK	1

**HUSKY TOWING PLANOGRAM 90358K**

The Husky 4ft Planogram is designed to maximize profitability in a minimum amount of space. The display assortment includes 130 products and is ideal for an end cap in your store. Products include pins, wiring essentials, hitch balls, and other towing accessories. A 46" x 12" header card completes the display and attracts consumer attention in store.



PART#	ITEM DESCRIPTION	QTY
<b>ROW 1</b>		
34521	HITCH PIN/CLIP 1/2" CD/1	3
33165	HITCH LOCK 1/2"	3
30015	CONNECT 7WAY PLAS CAR END/CD/1	2
30135	CONNECT 7WAY PLAS TRL END CD/1	2
33059	EXACT OE REPL 7 BLADE & 4 FLAT CON	2
30406	HARNESS ADAPTER 7WAY	2
13166	4 WIRE FLAT CAR END	2
33061	4 FLAT TO 7RV & 4 FLAT WIRING KIT	2
33069	UNIVERSAL MOUNTING BRACKET	2
31898	ESCORT DIGITAL	2
31899	BRAKE CONTROLLER QUEST T/S	2

PART#	ITEM DESCRIPTION (CONT.)	QTY
<b>ROW 2</b>		
33790	HITCH PIN/CLIP 5/8" CD/1	3
33159	HITCH LOCK 5/8"	3
30428	TAIL LIGHT CONV	2
13162	PWR TAILLIGHT CONV	2
13163	SHORT PROOF PWR CONV	2
13191	4 WIRE FLAT CAR END	2
13192	4 WIRE FLAT TRL END	2
31860	B/C HARNESS HUSKY T/S FORD	2
31862	B/C HARNESS HUSKY T/S FORD	2
31867	B/C HARNESS HUSKY T/S TOYOTA	2
32253	B/C HARNESS HUSKY T/S GM	2
<b>ROW 3</b>		
33160	HITCH LOCK 5/8" DIA SUPER DUTY	3
33164	COUPLER LOCK CD/1	3
33063	LED TEST 4 FLAT VEHICLE SIDE	2
33062	4 FLAT VEHICLE SIDE	2
33065	LED TEST 4 FLAT TRAILER SIDE	2
33064	4 FLAT TRAILER SIDE	2
33200	TRAILER WIRING JUNCTION BOX, BAGGED	2
15174	ADAPTER 7RV BLADE TO 4FLAT LED	2
14437	ADAPT MULTI TOW 7 TO 5,4	2
30314	ADAPTER 6ROUND-7BLADE	2
<b>TOP OF BALL MOUNT RACK</b>		
33055	2-5/16" GOOSENECK BALL	2
34917	BALL 2X3/4X1-3/4 CHR PAK/1	2
34918	BALL 2X1X2-1/8 CHR PAK/1	4
34924	BALL LS 2X1X2-7/8 CHR PAK/1	4
34919	BALL 2-5/16X1X2-1/8 CHR PAK/1	4
30255	BALL 2-5/16X1-1/4X2-5/8 PAK/1	4
33133	2.5" TO 2" REDUCER	2
33129	3" TO 2" REDUCER	2
33131	3" TO 2.5" REDUCER	2
<b>BALL MOUNT RACK ROW 1</b>		
31342	BALL MT CLII 7-7/8X2-1/4X2-7/8	2
33004	2.5" BALL MT, CL V, 9-1/2 X 1 X 2-1/2	1
33005	2.5" BALL MT, CL V, 9-1/2 X 3-1/4 X 4-3/4	1
31349	BALL MOUNT TRIPLE BALL	1
31357	BALL MT CLS III 8X3/4X2	2
31364	BALL MT CLS IV STGHT 8X3/4X2	1
31360	BALL MT CLS III 9X1X2-1/4	2
<b>BALL MOUNT RACK ROW 2</b>		
31366	BALL MT KIT 2IN BALL 2IN DROP	3
31363	BALL MT CLS III 11-1/2X4-3/4X6	1
<b>BALL MOUNT RACK ROW 3</b>		
31341	BALL MT CLS II 6-5/8 X 5/8 X 1-1/4	2
31354	BALL MT DOUBLE TOW BULK HUSKY	1
31357	BALL MT CLS III 8X3/4X2	2
31362	BALL MT CLS IV 10-1/2X1X2-1/4	1
31359	BALL MT CLSIV 6-3/4X2X3-1/4	2
31367	BALL MT KT 2IN BALL 3-1/4"DROP	3
31363	BALL MT CLS III 11-1/2X4-3/4X6	1
<b>BASE SHELF</b>		
33104	HUSKY KIT WITH DFB & PLATFORM	1
33108	HUSKY JR. WITH ABM AND PLATFORM	1
33140	SWITCH HITCH	1
30001	TRI-BALL ADJ BALL MOUNT HUSKY	1
32849	ADAPTER 2" TO 1-1/4"	1
32848	ADAPTER 1-1/4" TO 2"	1
32850	2" BOX HITCH EXTENSION	1
90347	BALL MOUNT RACK	1

MERCHANDISING

MERCHANDISING



**HUSKY TOWING PRODUCTS PLANOGRAM 90345KIT**

The Husky 4ft Planogram is designed to maximize profitability in a minimum amount of space. The display assortment includes 77 products and is ideal for an end cap in your store. Products include hitch balls, 5th wheel hitch accessories, ball mounts, and other towing essentials. A 46" x 12" header card completes the display and attracts consumer attention in store.



PART #	ITEM DESCRIPTION	QTY
<b>ROW 1</b>		
34917	Ball 2 x 3/4 x 1-3/4 Chr Pak/1	3
34917	Ball 2 x 3/4 x 1-3/4 Chr Pak/1	3
34918	Ball 2 x 1 x 2-1/8 Chr Pak/1	3
34924	Ball LS 2 x 1 x 2-7/8 Chr Pak/1	3
34919	Ball 2-5/16 x 1 x 2-1/8 Chr Pak/1	3
34521	Hitch Pin/Clip 1/2" Cd/1	4
33165	Hitch Lock 1/2"	4
38446	Rec Cover Black 2" Bulk	2
38446	Rec Cover Black 2" Bulk	2

PART #	ITEM DESCRIPTION (CONT.)	QTY
<b>ROW 2</b>		
33161	5th Wheel King Pin Lock	2
33164	Coupler Lock Cd/1	3
33790	Hitch Pin/Clip 5/8" Cd/1	4
33159	Hitch Lock 5/8"	4
34914	Heavy Duty 10" 5th Wheel Lube Disc	4
38511	Wheel Chocks Clam/2	2
<b>SHELF 1</b>		
31341	Ball Mt CIs II 6-5/8 x 5/8 x 1-1/4	1
31364	Ball Mt CIs IV Straight 8 x 3/4 x 2	1
31357	Ball Mt CIs III 8 x 3/4 x 2	1
31357	Ball Mt CIs III 8 x 3/4 x 2	1
31357	Ball Mt CIs III 8 x 3/4 x 2	1
31357	Ball Mt CIs III 8 x 3/4 x 2	1
31369	Ball Mt CIs IV 12 x 1 x 2-1/4	1
31359	Ball Mt CIs IV 6-3/4 x 2 x 3-1/4	1
31358	Ball Mt CIs III 10 x 3/4 x 4-1/4	1
31358	Ball Mt CIs III 10 x 3/4 x 4-1/4	1
31358	Ball Mt CIs III 10 x 3/4 x 4-1/4	1
31363	Ball Mt CIs III 11-1/2 x 4-3/4 x 6	1
33004	2.5" Hollow Bm CIs V 9.5"L 2.5"D	1
33005	2.5" Hollow Bm CIs V 9.5"L 2.5"D	1
<b>SHELF 2</b>		
31367	Ball Mt Kt 2" Ball 3-1/4" Drop	1
31367	Ball Mt Kt 2" Ball 3-1/4" Drop	1
31367	Ball Mt Kt 2" Ball 3-1/4" Drop	1
31367	Ball Mt Kt 2" Ball 3-1/4" Drop	1
31366	Ball Mt Kt 2" Ball 2" Drop	1
31366	Ball Mt Kt 2" Ball 2" Drop	1
31366	Ball Mt Kt 2" Ball 2" Drop	1
31366	Ball Mt Kt 2" Ball 2" Drop	1
31349	Ball Mt Triple Ball	1
31354	Ball Mt Double Tow Bulk	1
32850	2" Box Hitch Extension 12"	1
32849	Box Hitch Adapter 2" to 1-1/4"	1
32848	Box Hitch Adapter 1-1/4" to 2"	1
<b>BASE SHELF</b>		
30001	Tri-Ball Adjustable Ball Mount	1
33104	Adjustable Dual Ball Mount	1
33109	Pintle Hook Combo 2"	1
33110	Pintle Hook Combo 2-5/16"	1

**HUSKY WIRING PLANOGRAM 32003KIT**

The Husky 3ft Planogram is designed to maximize profitability in a minimum amount of space. The display assortment includes 94 products and is ideal for an end cap in your store. Products include brake controls, connectors, and a variety of electrical wiring essentials.



PART #	ITEM DESCRIPTION	QTY
<b>ROW 1</b>		
33068	LED Test 7 Blade Trailer Side	2
30692	Adapter 7 RD Blade to 5 Flat	2
14437	Adapter Multi-Tow 7 to 5, 4	2
13170	7 Blade to 4 Flat Adapter	2
33058	Ford/GM 7 Blade to 4 Flat Connector	2
30175	Socket, USCAR 7-Way	2
13092	7 to 7:4 Multi-Tow Adapter	2
33059	7 Blade & 4 Flat Connector	2

PART #	ITEM DESCRIPTION	QTY
<b>ROW 2</b>		
33067	7 Blade Trailer Side	2
30315	Adapter, Ground to 4 Flat	2
30462	LED Breakaway Switch	2
33069	Universal Mounting Bracket	2
33057	GM Twist Mt. 7 Blade & 4 Flat Connector	2
13166	4 Flat to 7 Blade Adapter	2
33061	4 Flat to 7 RV & 4 Flat Wiring Kit	2
30693	Wiring Adapter 6-P AG-7-Pin	2
<b>ROW 3</b>		
31899	Quest Trailer Brake Control	2
31898	Escort Digital Trailer Brake Control	2
31555	Escort Trailer Brake Control	2
30428	LED Compatible Taillight Converter	2
13186	Taillight Converter	2
13191	4 Wire Flat Car End	2
13192	4 Wire Flat Trailer End	2
13190	4 Wire Flat Car End	2
30280	4-Way Flat Connector	2
<b>ROW 4</b>		
32253	B/C Harness Husky T/S GM	2
31865	B/C Harness Husky T/S GM	2
31866	B/C Harness Husky T/S GM	2
32079	B/C Harness Husky T/S '13 Dodge	2
31869	B/C Harness Husky T/S Dodge	2
31864	B/C Harness Husky T/S Dodge	2
30259	2-Way Flat Connector	2
33400	Trailer Wiring Connector Mounting Bracket	2
33062	4 Flat Vehicle Side (48")	2
33064	4 Flat Trailer Side (12")	2
<b>ROW 5</b>		
31862	B/C Harness Husky T/S Ford	2
31689	Universal B/C Harness Ford	2
31860	B/C Harness Husky T/S Ford	2
31858	B/C Harness Husky T/S Ford	2
31867	B/C Harness Husky T/S Ford	2
33070	Quick-Lock Diodes (4PC)	2
33070	Quick-Lock Diodes (4PC)	2
33063	LED Test 4 Flat Vehicle Side (48")	2
30280	4 Flat Extension (12")	2
33065	LED Test 4 Flat Trailer Side (12")	2
<b>BASE SHELF</b>		
30015	7-Way Plastic Car Connector Bulk	2
32582	6 & 7-Way Bracket Black Bulk	2

MERCHANDISING

MERCHANDISING

**HUSKY WIRING PLANOGRAM 32004KIT**

The Husky 4ft Planogram is designed to maximize profitability in a minimum amount of space. The display assortment includes 116 products and is ideal for an end cap in your store. Products include brake controls, connectors, and a variety of electrical wiring essentials.



PART#	ITEM DESCRIPTION	QTY
<b>ROW 1</b>		
33068	LED Test 7 Blade Trailer Side	2
14437	Multi-Tow 7 to 5, 4 Adapter	2
30315	Ground to 4 Flat Adapter	2
13170	7 Blade to 4 Flat	2
30693	Wiring Adapter 6-P AG-7-Pin	2
13092	7 to 7:4 Multi-Tow Adapter	2
33061	4 Flat to 7 RV & 4 Flat Wiring Kit	2
33057	GM Twist Mt. 7 Blade and 4 Flat Connector	2
30175	Socket, USCAR 7-Way	2
33059	7 Blade & 4 Flat Connector	2

PART#	ITEM DESCRIPTION	QTY
<b>ROW 2</b>		
33067	7 Blade Trailer Side	2
14437	Multi-Tow 7 to 5, 4 Adapter	2
30315	Ground to 4 Flat Adapter	2
13170	7 Blade to 4 Flat	2
30693	Wiring Adapter 6-P AG-7-Pin	2
13166	4 Flat to 7 Blade Adapter	2
33061	4 Flat to 7 RV & 4 Flat Wiring Kit	2
33057	GM Twist Mt. 7 Blade & 4 Flat Connector	2
33058	Ford/GM 7 Blade & 4 Flat Connector	2
33059	7 Blade & 4 Flat Connector	2
<b>ROW 3</b>		
31555	Escort Trailer Brake Control	2
31555	Escort Trailer Brake Control	2
31899	Quest Trailer Brake Control	2
31898	Escort Digital Trailer Brake Control	2
30247	4-Way Flat Connector (60")	2
30248	LED Compatible Taillight Converter	2
33069	Universal Mounting Bracket	2
33070	Quick-Lock Diodes (4PC)	2
33070	Quick-Lock Diodes (4PC)	2
33070	Quick-Lock Diodes (4PC)	2
30462	LED Break-away Switch	2
<b>ROW 4</b>		
32253	B/C Harness Husky T/S GM	2
31865	B/C Harness Husky T/S GM	2
31866	B/C Harness Husky T/S GM	2
32079	B/C Harness Husky T/S '13 Dodge	2
31869	B/C Harness Husky T/S '13 Dodge	2
31864	B/C Harness Husky T/S '13 Dodge	2
30259	2-Way Flat Connector	2
13192	4 Wire Flat Trailer End	2
30280	4 Flat Extension (12")	2
33065	LED Test 4 Flat Trailer Side (12")	2
33063	LED Test 4 Vehicle Side (48")	2
33062	4 Flat Vehicle Side (48")	2
<b>ROW 5</b>		
31862	B/C Harness Husky T/S Ford	2
31869	B/C Harness Husky T/S Dodge	2
31860	B/C Harness Husky T/S Ford	2
31858	B/C Harness Husky T/S '13 Nissan	2
31867	B/C Harness Husky T/S '13 Toyota	2
13190	4 Wire Flat Vehicle End	2
13191	4 Wire Flat Vehicle End	2
30280	4-Way Flat Connector	2
33064	4 Flat Trailer Side (12")	2
33400	Trailer Wiring Connector Mounting Bracket	2
33062	4 Flat Vehicle Side (48")	2
<b>BASE SHELF</b>		
30015	Connector 7-Way Plastic Car End	2
<b>ROW 1</b>		
33405	6-Pin Zinc Trailer End Connector	2
30312	4-Way Flat Connector	2

**ARCON ELECTRICAL PLANOGRAM**

The Arcon 4ft recommended assortment is designed to maximize profitability in a minimum amount of space. The display assortment includes 53 electrical products and is ideal for an end-cap in your store. Products include surge protectors, battery boxes, and a full range of electrical adapters. A 46" x 12" header card completes the display and attracts consumer attention in store.



PART#	ITEM DESCRIPTION	QTY
<b>ROW 1</b>		
19658	SURGE PROTECTOR 30A 120V	2
19658	SURGE PROTECTOR 30A 120V	2
19666	SURGE PROTECTOR 50A 240V	2
19666	SURGE PROTECTOR 50A 240V	2
14365C	PIGTAIL 30F-15M 18IN PK/1 CSA	3
14362C	PIGTAIL 15F-30M 18IN PK/1 CSA	3
14367C	PIGTAIL 30F-50M 18IN PK/1 CSA	3
14371C	PIGTAIL 50F-30M 18IN PK/1 CSA	3

The 4ft assortment displays 24 SKUs of the top-selling electrical products in bi-lingual packaging.

Arcon electrical products are designed with safe and sturdy materials to keep users and their devices protected.

PART#	ITEM DESCRIPTION (CONT.)	QTY
<b>ROW 2</b>		
14977	GENERATOR PIGTAIL ADAPTER 30AMP	2
14366	PIGTAIL 30F-15M FW 12IN PK/1	2
14368	PIGTAIL 30F-50M FW 18IN PK/1	2
14372	PIGTAIL 50F-30M FW 18IN PK/1	2
<b>ROW 3</b>		
17341	ARCON MULTI-MAX ADAPTER	2
14363	PIGTAIL 30F-STRIPPED 18IN PK/1	2
14369	PIGTAIL 30M-STRIPPED 18IN PK/1	2
<b>ROW 4</b>		
12024	BATTERY STRAP 42IN W/BRACKETS	2
11796	BATTERY STRAP 54IN W/BRACKETS	2
<b>SHELF 1</b>		
17360	GENERATOR CORD TRI-SOURCE ADAPTER	2
17362	GENERATOR ADAPTER L14-30P/2X5-20R	2
17361	GENERATOR ADAPTER L5-30P/2X5-20R	2
11533	EXTENSION CORD 30A 25FT W/HANDLE	2
11534	EXTENSION CORD 30A 50FT W/HANDLE	2
<b>BASE SHELF</b>		
13035	BATTERY BOX GROUP 27 BLACK	1
13228	BATTERY BOX GROUP GC-2 BLACK	1
13034	BATTERY BOX GROUP 24 BLACK	1
11535	EXTENSION CORD 50A 30FT W/HANDLE	2
<b>HEADER</b>		
ARCHEADER	4' ELECTRICAL PROD POG HEADER CARD	1

MERCHANDISING

MERCHANDISING

### ARCON LED BULB PLANOGRAM 90066KIT

The Arcon 36" Lighting Planogram assortment includes 43 bulb skus. This setup is ideal for end caps or smaller sections of your retail display areas.

### ARCON LED BULB & FIXTURE PLANOGRAM 90067KIT

The Arcon 48" Lighting Planogram assortment includes 29 bulb skus and 13 fixture skus. This setup is ideal for larger sections of your retail display areas.

MERCHANDISING



PART#	ITEM DESCRIPTION (CONT.)	QTY
<b>ROW 2</b>		
50398	#1073 BULB 24 LED BW 12V	2
50368	#1141 BULB 24 LED BW 12V	2
50368	#1141 BULB 24 LED BW 12V	2
50369	#1141 BULB 18 LED SW 12V	2
50367	#1141 BULB 24 LED SW 12V	2
50492	#1076 BULB 24 LED SW 12V	2
50610	#912 BULB 5 LED SW 12V	2
<b>ROW 3</b>		
50568	#922 BULB 5 LED SW 12V	2
50568	#922 BULB 5 LED SW 12V	2
50687	#211-2 BULB 2 LED SW 12V	2
50474	#1004 BULB 13 LED SW 12V	2
50664	#211 BULB 3 LED SW 12V	2
50664	#211 BULB 3 LED SW 12V	2
50702	#212-2 BULB 2 LED SW 12V	2
<b>ROW 4</b>		
50509	#1157 BULB 24 LED BW 12V	2
50387	#1156 BULB 24 LED BW 12V	2
50725	#1016 BULB 24 LED BW 12V	2
50455	#1003 BULB 13 LED SW 12V	2
50773	#1016 BULB 24 LED SW 12V	2
50429	#93 BULB 24 LED SW 12V	2
<b>ROW 5</b>		
50558	#194 BULB 5 LED BW 12V 6PK	2
50436	#1003 BULB 13 LED BW 12V 6PK	2
50380	#1141 BULB 24 LED BW 12V 6PK	2
50524	#1383 BULB 24 LED SW 12V	2
50430	#93 BULB 24 LED SW 12V 6PK	2
50458	#1003 BULB 13 LED SW 12V 6PK	2
50493	#1076 BULB 24 LED SW 12V 6PK	2
<b>ROW 6</b>		
50380	#1141 BULB 24 LED BW 12V 6PK	2
50380	#1141 BULB 24 LED BW 12V 6PK	2
50392	#1156 BULB 24 LED BW 12V 6PK	2
50829	#2099 VANITY BULB 24 LED SW 12V	2
50385	#1141 BULB 18 LED SW 12V 6PK	2
50377	#1141 BULB 24 LED SW 12V 6PK	2
50377	#1141 BULB 24 LED SW 12V 6PK	2

PART#	ITEM DESCRIPTION	QTY
<b>ROW 1</b>		
50557	#194 BULB 5 LED BW 12V	2
50567	#921 BULB 9 LED BW 12V	2
50435	#1003 BULB 13 LED BW 12V	2
50664	#211 BULB 3 LED SW 12V	2
50687	#211-2 BULB 2 LED SW 12V	2
50564	#921 BULB 9 LED SW 12V	2
50568	#922 BULB 5 LED SW 12V	2
50708	#T5-12 TUBE 30 LED SW	2
50713	#T8-18 TUBE 54 LED SW	2

MERCHANDISING



PART#	ITEM DESCRIPTION	QTY
<b>ROW 1</b>		
50557	#194 BULB 5 LED BW 12V	2
50567	#921 BULB 9 LED BW 12V	2
50435	#1003 BULB 13 LED BW 12V	2
50725	#1016 BULB 24 LED BW 12V	2
50398	#1073 BULB 24 LED BW 12V	2
50373	#1141 BULB 18 LED BW 12V	2
50429	#93 BULB 24 LED SW 12V	2
50664	#211 BULB 3 LED SW 12V	2
50687	#211-2 BULB 2 LED SW 12V	2
50610	#912 BULB 5 LED SW 12V	2
50564	#921 BULB 9 LED SW 12V	2
50568	#922 BULB 5 LED SW 12V	2

PART#	ITEM DESCRIPTION	QTY
<b>ROW 2</b>		
50368	#1141 BULB 24 LED BW 12V	2
50387	#1156 BULB 24 LED BW 12V	2
50509	#1157 BULB 24 LED BW 12V	2
50568	#922 BULB 5 LED SW 12V	2
50568	#922 BULB 5 LED SW 12V	2
50687	#211-2 BULB 2 LED SW 12V	2
50455	#1003 BULB 13 LED SW 12V	2
50474	#1004 BULB 13 LED SW 12V	2
50773	#1016 BULB 24 LED SW 12V	2
50492	#1076 BULB 24 LED SW 12V	2
50369	#1141 BULB 18 LED SW 12V	2
50367	#1141 BULB 24 LED SW 12V	2
<b>ROW 3</b>		
20667	SGL LED EC-LITE, BWHT, OPT LENS	2
20669	SGL LED EC-LITE, BWHT, OPT LENS	2
20725	SGL LED EU-LITE, BWHT, WHT LENS	2
50664	#211 BULB 3 LED SW 12V	2
50664	#211 BULB 3 LED SW 12V	2
50702	#212-2 BULB 2 LED SW 12V	2
50524	#1383 BULB 24 LED SW 12V	2
50829	#2099 VANITY BULB 24 LED SW 12V	2
<b>ROW 4</b>		
20668	DBL LED EC-LITE, BWHT, OPT LENS	2
20670	DBL LED EC-LITE, BWHT, OPT LENS	2
20726	DBL LED EU-LITE, BWHT, WHT LENS	2
20715	SGL LED EC-LITE, SWHT, OPT LENS	2
20711	SGL LED EU-LITE, SWHT, OPT LENS	2
20713	SGL LED EU-LITE, SWHT, WHT LENS	2
<b>ROW 5</b>		
20671	LED SCARE LITE, BWHT, CLR LENS	1
20671	LED SCARE LITE, BWHT, CLR LENS	1
20716	DBL LED EC-LITE, SWHT, OPT LENS	2
20712	DBL LED EU-LITE, SWHT, OPT LENS	2
20714	DBL LED EU-LITE, SWHT, WHT LENS	2

### AQUA PRO PLANOGRAM

The Aqua Pro 3ft recommended assortment is designed to maximize profitability in a minimum amount of space. The display assortment includes 52 freshwater products and is ideal for an end-cap in your store. Products include universal water pumps, water hoses, RV starter kits, and other freshwater accessories. A 36" x 12" header card ties the assortment together and draws attention to customers in store.



The 3ft assortment displays 16 SKUs of the top-selling freshwater products in bi-lingual packaging.

Aqua Pro freshwater products are designed with standard fittings to allow for fast and easy installation.

MERCHANDISING

PART#	ITEM DESCRIPTION	QTY
<b>ROW 1</b>		
21851	WATER REGULATOR STD CD/1	3
21851	WATER REGULATOR STD CD/1	3
20809	BACKFLOW PREV 1/2MXF CD/1 LF	3
27893	WATER FILL FL MT PLASTIC P/WHT CD/1	3
27881	WATER FILL FLUSH MT P/WHT CD/1	3
27886	WATER FILL RECESSED P/WHT CD/1	3
69718	ANODE 4.5"X.5" MPT CD/1 LEAD FREE	4
69716	ANODE 9.5"X.75" MPT CD/1 LEAD FREE	4

PART#	ITEM DESCRIPTION (CONT.)	QTY
<b>ROW 2</b>		
21854	HOSE ELBOW 90 DEG BRASS	2
21854	HOSE ELBOW 90 DEG BRASS	2
20809	BACKFLOW PREV 1/2MXF CD/1 LF	3
<b>SHELF 1</b>		
21847	3.0 GPM 12V MUL-FIXTURE PUMP	2
21855	3.0 GPM 115V MUL-FIXTURE PUMP	2
21863	12V PUMP SELF PRIMING 5.5 GAL/MIN	2
<b>SHELF 2</b>		
W20869	AQUA PRO STARTER WATER LINE 1/2"X15'	3
W20863	AQUA PRO DLX WATER LINE 1/2"X25'	3
W20866	AQUA PRO DLX WATER LINE 5/8"X25'	3
<b>BASE SHELF</b>		
27588A	RV STARTER KIT STANDARD AQUA PRO	2
27589A	RV STARTER KIT DELUXE AQUA PRO	2
<b>HEADER</b>		
AQPHEADER	3' FRESHWATER ACCESS POG HEADER CARD	1

### VENTMATE PLANOGRAM

The Ventmate 8ft recommended assortment is designed to maximize profitability in a minimum amount of space. The display assortment includes 59 ventilation accessories that offer a wide variety of RV vent essentials in your storefront. Products include vent lids, vent covers, vent insulators and vent gaskets. A 46" x 12" header card and 12" x 36" vertical replacement vent lid display card tie the assortment together and attract consumer attention in store.



The 8ft assortment displays 23 SKUs of the top-selling ventilation products in bi-lingual packaging.

Ventmate ventilation accessories are available in various styles and colors to suit most popular fitments for RVs.

MERCHANDISING

PART#	ITEM DESCRIPTION	QTY
<b>ROW 1</b>		
63116	VENT LID OLD ELIXER WHITE BAG/1	3
63118	VENT LID OLD ELIXER SMOKE BAG/1	3
63113	VENT LID VENTLINE/ELIXER WHITE BAG/1	3
63115	VENT LID VENTLINE/ELIXER SMOKE BAG/1	3
68291	UNIVERSAL REF BASE W/SCREWS WHITE	2
<b>ROW 2</b>		
63110	VENT LID JENSEN WHITE BAG/1	3
63112	VENT LID JENSEN SMOKE BAG/1	3
69278	VENT LID VENTLINE/ELIXER WHITE BAG/1	3
69279	VENT LID VENTLINE/ELIXER SMOKE BAG/1	3
68294	UNIVERSAL REF BASE W/SCREWS BLACK	2

PART#	ITEM DESCRIPTION (CONT.)	QTY
<b>ROW 3</b>		
67304	VENT CUSHION WITH PULL STRAP	2
69282	VENT LID NEW JENSEN 95+ WHITE BAG/1	3
69283	VENT LID NEW JENSEN 95+ SMOKE BAG/1	3
65527	A/C GASKET KIT 14IN X 16IN	3
65526	A/C GASKET KIT 14IN X 14IN	3
<b>SHELF 1</b>		
65529	REFRIGE VENT LID-PW O/S DOMETIC	2
65528	REFRIGE VENT LID-PW N/S DOMETIC	2
62712	REFRIGE VENT LID-BLK N/S DOMETIC	2
62901	AIR CONDITIONER SEAL 14IN X 14IN	3
<b>BASE SHELF</b>		
68290	UNIVERSAL REFRIGE LID WHITE	2
68292	UNIVERSAL REFRIGE LID BLACK	2
<b>HEADER</b>		
VENTPOP	VENTMATE POP HEADER CARD & DISPLAY CARD	1

**GATOR SEWER HOSE KIT PLANOGRAM**

Make a statement in store and offer your customers the widest selection of Sewer Hose Kits available with Gator by Duraflex. This 8ft assortment includes six kit styles to meet every need. Gator Kits are available in 3 different hose lengths and two unique, high quality hose types. Hose extensions, replacement storage caps, and 90 degree elbows complete the display, and a 46" x 12" die cut header card calls attention to the category.



MERCHANDISING

PART#	ITEM DESCRIPTION	QTY
<b>ROW 1</b>		
22191	SEWER HOSE DRIP CAPS	2
<b>SHELF 1</b>		
22192	CLEAR 90° ELBOWS	2
22193	10' WIRE REINFORCED SEWER HOSE EXTENSION	1
22194	10' POLYMER RIBBED SEWER HOSE EXTENSION	1
22195	15' WIRE REINFORCED SEWER HOSE EXTENSION	1
22196	15' POLYMER RIBBED SEWER HOSE EXTENSION	1

PART#	ITEM DESCRIPTION (CONT.)	QTY
<b>SHELF 2</b>		
22005	15' POLYMER RIBBED SEWER HOSE KIT	1
22006	20' POLYMER RIBBED SEWER HOSE KIT	1
22006	20' POLYMER RIBBED SEWER HOSE KIT	1
22008	30' POLYMER RIBBED SEWER HOSE KIT	1
<b>BASE SHELF</b>		
22003	15' WIRE REINFORCED SEWER HOSE KIT	1
22004	20' WIRE REINFORCED SEWER HOSE KIT	1
22004	20' WIRE REINFORCED SEWER HOSE KIT	1
22007	30' WIRE REINFORCED SEWER HOSE KIT	1
<b>HEADER</b>		
DURHEADER*	GATOR 46" x 12" DIE CUT HEADER CARD	1

\*No charge with the purchase of 6 sewer hose kits.

**GATOR SEWER HOSE KIT PLANOGRAM**

Make a statement in store and offer your customers the widest selection of Sewer Hose Kits available with Gator by Duraflex. This 8ft assortment includes six kit styles to meet every need. Gator Kits are available in 3 different hose lengths and two unique, high quality hose types. A 46" x 12" die cut header card calls attention to the category.



MERCHANDISING

PART#	ITEM DESCRIPTION	QTY
<b>SHELF 1</b>		
22003	15' WIRE REINFORCED SEWER HOSE KIT	1
22003	15' WIRE REINFORCED SEWER HOSE KIT	1
22005	15' POLYMER RIBBED SEWER HOSE KIT	1
22005	15' POLYMER RIBBED SEWER HOSE KIT	1

PART#	ITEM DESCRIPTION (CONT.)	QTY
<b>SHELF 2</b>		
22004	20' WIRE REINFORCED SEWER HOSE KIT	1
22004	20' WIRE REINFORCED SEWER HOSE KIT	1
22006	20' POLYMER RIBBED SEWER HOSE KIT	1
22006	20' POLYMER RIBBED SEWER HOSE KIT	1
<b>BASE SHELF</b>		
22007	30' WIRE REINFORCED SEWER HOSE KIT	1
22007	30' WIRE REINFORCED SEWER HOSE KIT	1
22008	30' POLYMER RIBBED SEWER HOSE KIT	1
22008	30' POLYMER RIBBED SEWER HOSE KIT	1
<b>HEADER</b>		
DURHEADER*	GATOR 46" x 12" DIE CUT HEADER CARD	1

\*No charge with the purchase of 6 sewer hose kits.

**BIGDOG COOLER PLANOGRAM**

This BigDog 8ft recommended assortment includes all 6 sizes of BigDog Hard-Sided Coolers and essential accessories to choose from in-store. Products include the wheeled and standard models, dry good baskets, basket mounts, cutting boards, and cup holders. All products are retail packaged with BigDog branding.



MERCHANDISING

MERCHANDISING

PART#	ITEM DESCRIPTION	QTY
<b>ROW 1</b>		
CUPHLDR1	CUP HOLDER	1
CUPHLDR2	CUP HOLDER	1
BASKET1	BASKET	1
BSKTHLDR	BASKET HOLDER	1
CTTNGBRD4	CUTTING BOARD	1
CTTNGBRD3	CUTTING BOARD	1
CTTNGBRD2	CUTTING BOARD	1
CTTNGBRD1	CUTTING BOARD	1

PART#	ITEM DESCRIPTION (CONT.)	QTY
<b>ROW 2</b>		
BASKET2	BASKET	1
BASKET3	BASKET	1
BASKET4	BASKET	1
<b>SHELF 1</b>		
BDC20	20 QT HARD SIDED COOLER	1
BDC45	45 QT HARD SIDED COOLER	1
BDC75	75 QT HARD SIDED COOLER	1
<b>BASE SHELF</b>		
BDCR45	45 QT HARD SIDED ROLLING COOLER	1
BDCR60	60 QT HARD SIDED ROLLING COOLER	1
BDC110	110 QT HARD SIDED COOLER	1

**10" 5TH WHEEL LUBRICATOR DISC DISPLAY**

Lube discs prevent friction and also act as a cushion and vibration barrier between your hitch head and RV without having to use grease. They prevent scratches to the hitch head and make coupling to the trailer smoother. Easily fits on any standard kingpin.

- Retail Box of 10 units wrapped for individual sale
- Easily fits on any standard kingpin
- Reduces wear and tear on 5th wheel and pin box when towing
- Eliminates messy grease on hitch and trailer pin box
- Constructed from high strength polyethylene



Part# 34914010



**Aqua Pro**

**5.5 GPM UNIVERSAL WATER PUMP DISPLAY**

This point of purchase display is a compact countertop stand made of durable metal construction that includes a vinyl graphic sticker and a printed styrene backer card outlining the product benefits and specifications. The stand mounts one Aqua Pro 5.5 GPM Water Pump\* using predrilled holes and hardware included with the pump.

Part# 55GPMPSDP



\*Sold separately

# HUSKY


## TOWING PRODUCTS




**Visit: [Huskytow.com](http://Huskytow.com)**

- *New look with easier navigation*
- *Online ordering capability*
- *Access to digital catalogs and application guides*
- *Access to product literature and instruction manuals*

**Follow Us On Social Media:**

 [Facebook.com/huskytowingproducts](https://www.facebook.com/huskytowingproducts)

 [Instagram.com/huskytowingproducts](https://www.instagram.com/huskytowingproducts)

**RUGGED IS STANDARD EQUIPMENT™**