



# YONAH™

## LED Linkable Fixtures



Beyond LED Yonah Linkable T8 LED Integrated Lamps perform efficiently in conditions where low voltage, halogen, or fluorescent luminaires have traditionally been used. Our LED tubes incorporate integral drivers, are self-supporting and can be surface mounted. Individual units can be plugged together for continuous lengths up to 200W. Our Yonah Lamps connect directly to line voltage and can be used in any interior space.

### Product Features

- Efficacy up to 140 Lumens per watt
- Input Voltage 100-277Vac 50-60Hz
- Operates directly from line voltage
- Usable as a stand alone fixture
- Linkable up to 200W at AC120V
- Aluminum and PC housing
- ETL & DLC Listed
- 5 Year warranty

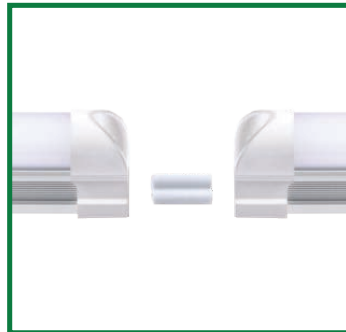
# YONAH™

## LED Linkable Fixtures



| SKU #  | Model #                     | Watt | Lumens  | Size | Lens    | CCT   | Certifications |
|--------|-----------------------------|------|---------|------|---------|-------|----------------|
| 151716 | BLT-T8-30P4FT-INT26500K-S   | 30W  | 4200Lm  | 4ft  | Striped | 6500K | ETL            |
| 151717 | BLT-T8-30P4FT-INT26500K-C   | 30W  | 4200Lm  | 4ft  | Clear   | 6500K | ETL            |
| 153496 | BLT-T8-30P4FT-INT25000K-F   | 30W  | 4200Lm  | 4ft  | Frosted | 5000K | DLC            |
| 153837 | BLT-T8-30P4FT-INT2(4000K)-F | 30W  | 4200Lm  | 4ft  | Frosted | 4000K | ETL            |
| 151623 | BLT-T8-60P8FT-INT26500K-F   | 60W  | 8400Lm  | 8ft  | Frosted | 6500K | ETL            |
| 153547 | BLT-T8-60P8FT-INT2(5000K)-F | 60W  | 8400Lm  | 8ft  | Frosted | 5000K | DLC            |
| 151715 | BLT-T8-60P8FT-INT26500K-C   | 60W  | 8400Lm  | 8ft  | Clear   | 6500K | ETL            |
| 151624 | BLT-T8-60P8FT-INT26500K-S   | 60W  | 8400Lm  | 8ft  | Striped | 6500K | ETL            |
| 153838 | BLT-T8-60P8FT-INT2(4000K)-F | 60W  | 8400Lm  | 8ft  | Frosted | 4000K | ETL            |
| 152574 | BLT-T8-90P8FT-INT4(5000K)-C | 90W  | 12600Lm | 8ft  | Clear   | 5000K | ETL            |

### Linkable Options



### Mounting Clips





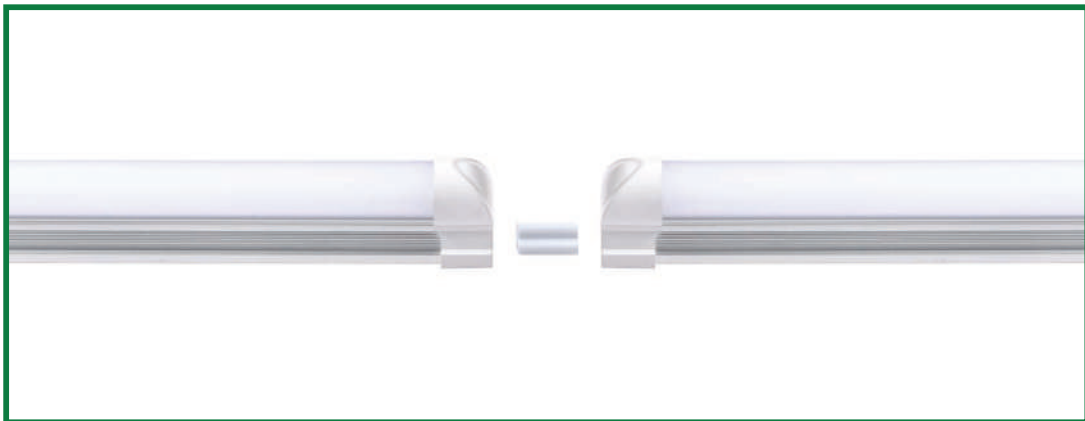
# YONAH™

## LED Linkable Fixtures

### Specifications

| Parameter           | Description           | Value                     |
|---------------------|-----------------------|---------------------------|
| General Performance | Wattage               | 30W                       |
|                     | Lumen                 | 4200Lm                    |
|                     | Lumen Efficacy        | Up to 140LM/W             |
|                     | Color Temperature     | 6500K   5000K   4000K     |
|                     | CRI (Ra)              | >80                       |
|                     | Beam Angle            | 100° Degree               |
|                     | Diffuser Type         | Striped / Clear / Frosted |
| Electrical          | Input Voltage         | 100-277Vac                |
|                     | Frequency             | 50/60Hz                   |
|                     | Power Factor          | >0.95                     |
| Physical            | Operating Temperature | -30°C to 65°C             |
|                     | Operating Humidity    | N/A                       |
|                     | Storage Temperature   | N/A                       |
|                     | LED Type              | SMC2835                   |
|                     | Housing Material      | Aluminum + PC Cover       |
| Qualification       | Housing Color         | White                     |
|                     | IP Rating             | IP22                      |
|                     | Warranty              | 5 Year                    |

### Linkable Options



# YONAH™

## LED Linkable Fixtures



### Specifications

| Parameter           | Description           | Value                     |
|---------------------|-----------------------|---------------------------|
| General Performance | Wattage               | 60W                       |
|                     | Lumen                 | 8400Lm                    |
|                     | Lumen Efficacy        | Up to 140LM/W             |
|                     | Color Temperature     | 6500K   5000K   4000K     |
|                     | CRI (Ra)              | >80                       |
|                     | Beam Angle            | 100° Degree               |
|                     | Diffuser Type         | Striped / Clear / Frosted |
| Electrical          | Input Voltage         | 100-277Vac                |
|                     | Frequency             | 50/60Hz                   |
|                     | Power Factor          | >0.95                     |
| Physical            | Operating Temperature | -30°C to 65°C             |
|                     | Operating Humidity    | N/A                       |
|                     | Storage Temperature   | N/A                       |
|                     | LED Type              | SMC2835                   |
|                     | Housing Material      | Aluminum + PC Cover       |
| Qualification       | Housing Color         | White                     |
|                     | IP Rating             | IP22                      |
|                     | Warranty              | 5 Year                    |

### Linkable Options Mounting Clips





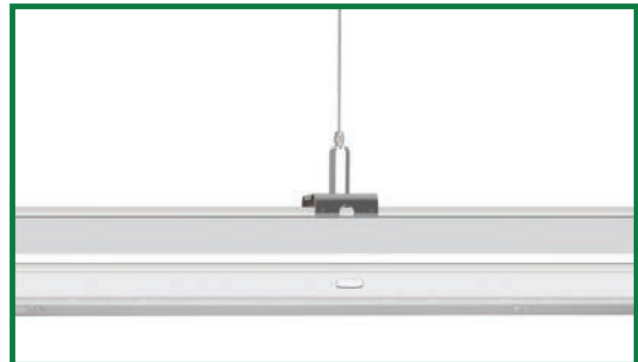
# YONAH™

## LED Linkable Fixtures

### Specifications

| Parameter           | Description           | Value               |
|---------------------|-----------------------|---------------------|
| General Performance | Wattage               | 90W                 |
|                     | Lumen                 | 12600Lm             |
|                     | Lumen Efficacy        | Up to 140LM/W       |
|                     | Color Temperature     | 5000K               |
|                     | CRI (Ra)              | >80                 |
|                     | Beam Angle            | 100° Degree         |
|                     | Diffuser Type         | Clear               |
| Electrical          | Input Voltage         | 100-277Vac          |
|                     | Frequency             | 50/60Hz             |
|                     | Power Factor          | >0.95               |
| Physical            | Operating Temperature | -30°C to 65°C       |
|                     | Operating Humidity    | N/A                 |
|                     | Storage Temperature   | N/A                 |
|                     | LED Type              | SMC2835             |
|                     | Housing Material      | Aluminum + PC Cover |
| Qualification       | Housing Color         | White               |
|                     | IP Rating             | IP22                |
|                     | Warranty              | 5 Year              |

### Installation, Hanging

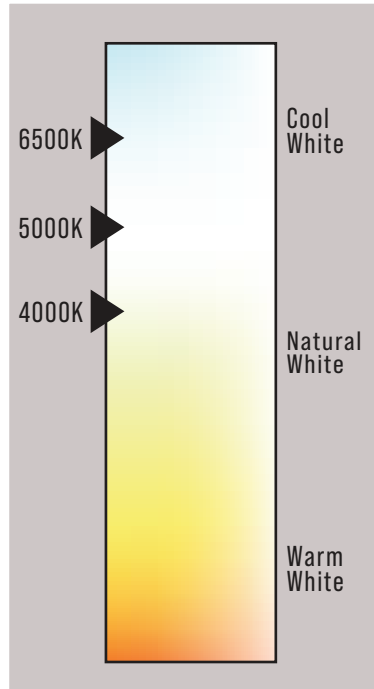


# YONAH™

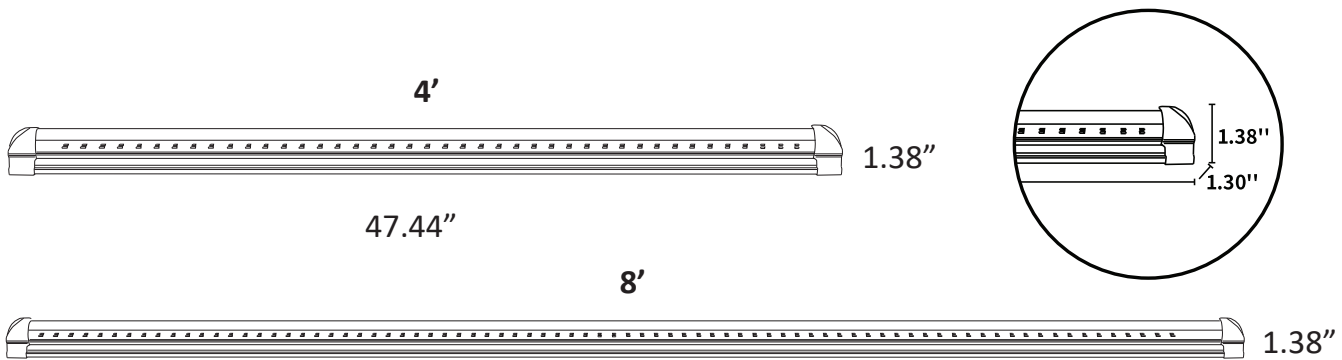
## LED Linkable Fixtures



### Correlated Color Temperature (CCT)



### Dimension



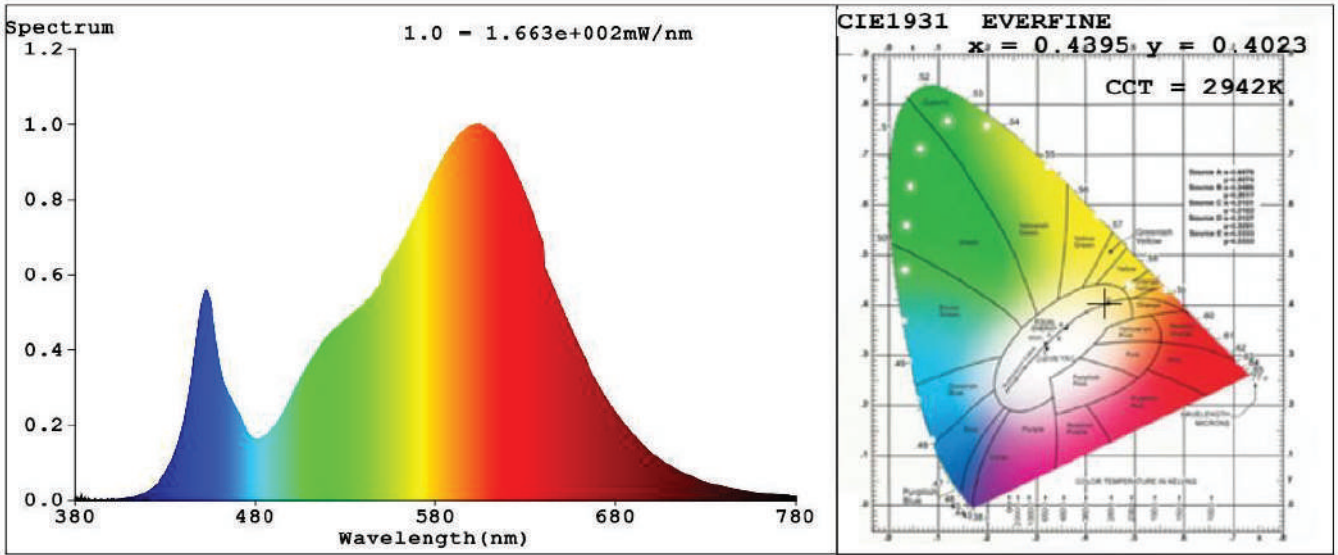
LED LINKABLE FIXTURES



# YONAH™

## LED Linkable Fixtures

### Distribution Diagram



### Chromaticity Measurement - Sphere - Spectroradiometer

#### Method (Self-absorption)

| Parameter                   |  | Result              | Special Color Rendering Indices |    |     |    |
|-----------------------------|--|---------------------|---------------------------------|----|-----|----|
| Test Voltage (V)            |  | 120                 | R1                              | 78 | R9  | 0  |
| Frequency (Hz)              |  | 60                  | R2                              | 90 | R10 | 77 |
| CCT (K)                     |  | 2942                | R3                              | 96 | R11 | 75 |
| Duv                         |  | -0.0011             | R4                              | 77 | R12 | 68 |
| Chromaticity (x, y)         |  | x=0.4395 y=0.4023   | R5                              | 78 | R13 | 81 |
| Chromaticity (u', v')       |  | u'=0.2530 v'=0.5211 | R6                              | 87 | R14 | 98 |
| Color Rendering Index (CRI) |  | 80                  | R7                              | 80 | R15 | 70 |
| R9                          |  | 0                   | R8                              | 54 | --  | -- |

#### Photometric Measurement - Sphere - Spectroradiometer Method

| Parameter                | Results |        | DLC V4.4 Pass Criteria |            |
|--------------------------|---------|--------|------------------------|------------|
| Test Voltage (V)         | 120     | 277    | --                     |            |
| Frequency (Hz)           | 60      | 60     |                        |            |
| Total Luminous (lm)      | 8265    | 8323   | ≥375 lm/ft (-10%)      |            |
| Luminous Efficacy (lm/W) | 135.43  | 137.82 | Standard: ≥            | Premium: ≥ |
|                          |         |        | 105(-3%)               | 130(-3%)   |

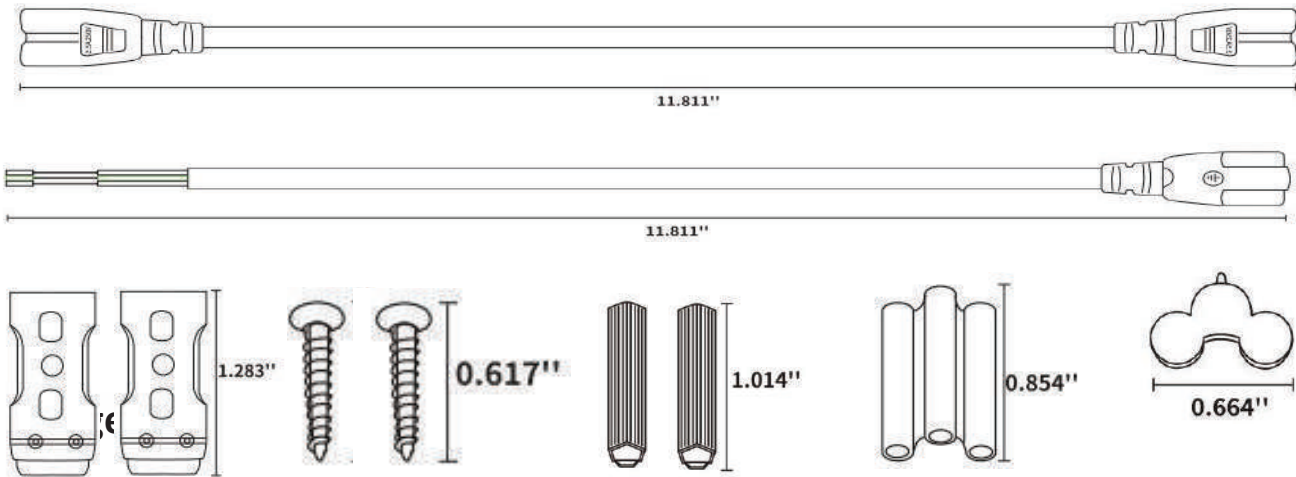
# YONAH™

## LED Linkable Fixtures

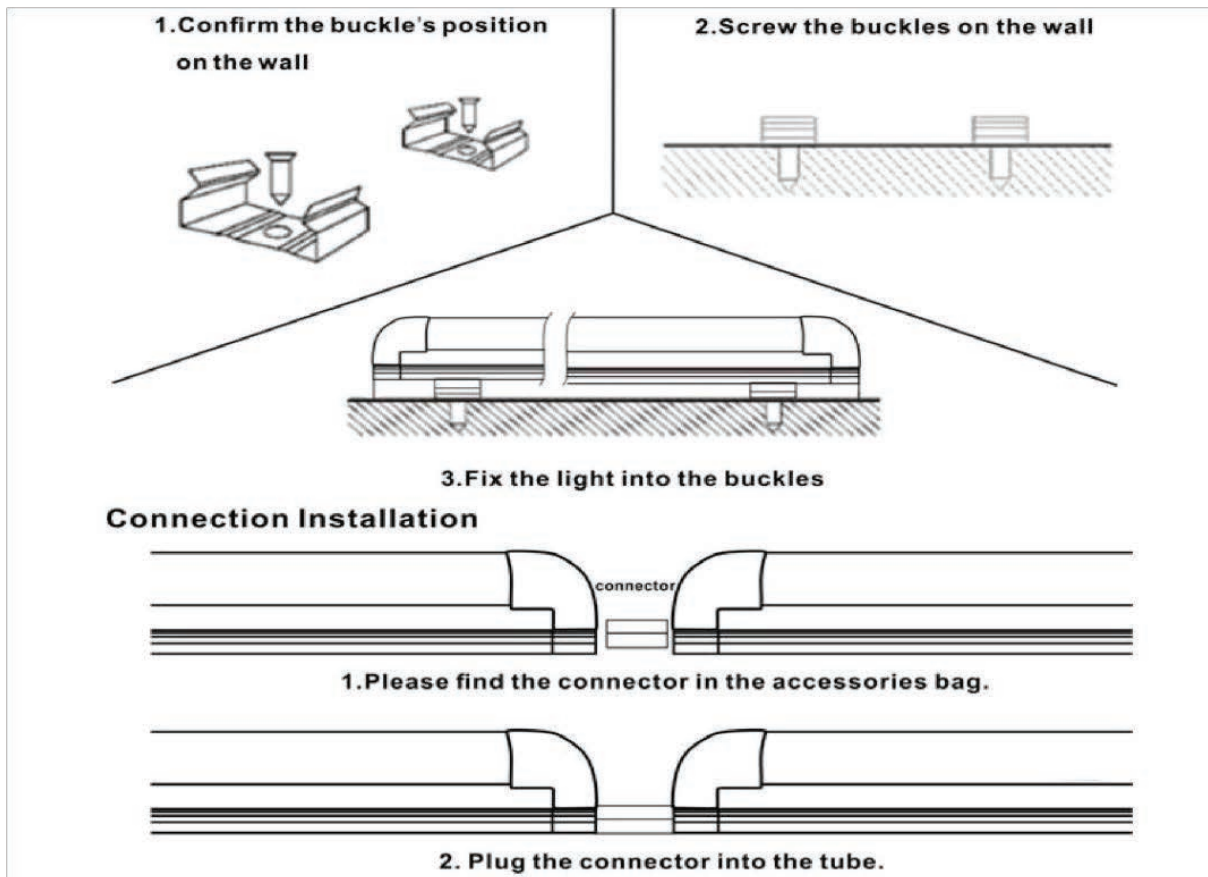


### Installation

1. Standard accessories are given below:



2. Installation instruction:







# YONAH™

## LED Linkable Fixtures

### Packaging

| Tube Length | Box Size (Inches) | Box Qty | Box Weight |
|-------------|-------------------|---------|------------|
| 4'          | 49.21 x 5 x 5     | 4 Pcs   | 7 LBS      |
| 4'          | 49.21 x 9 x 8     | 20 Pcs  | 18 LBS     |
| 8'          | 95.28 x 5 x 5     | 4 Pcs   | 11 LBS     |
| 8'          | 95.28 x 5 x 8     | 20 Pcs  | 34 LBS     |

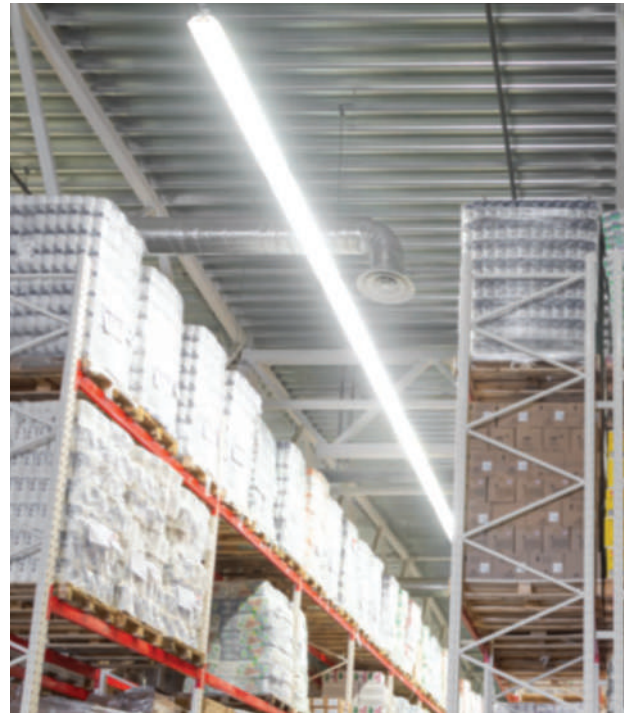
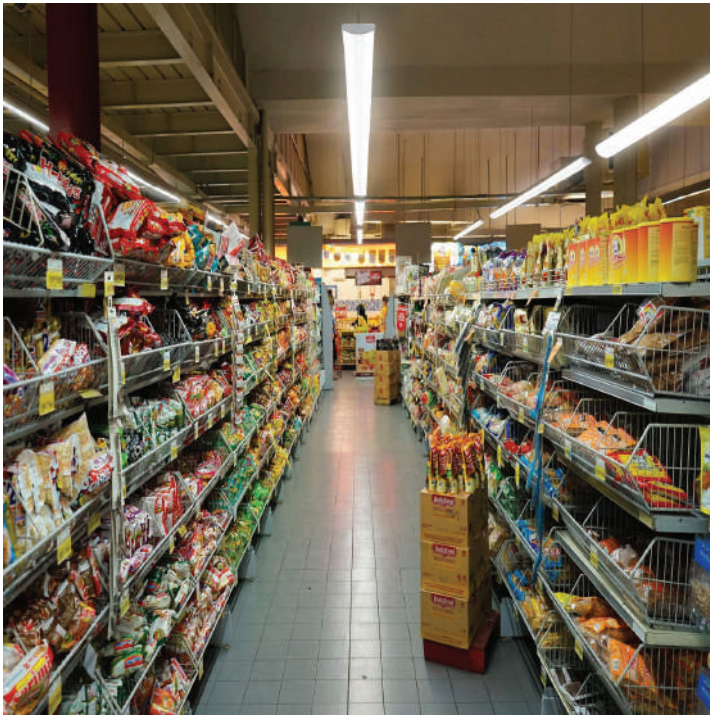


# YONAH™

## LED Linkable Fixtures



### Application Picture



### Warranty

5 Year Warranty

LED LINKABLE FIXTURES