

LSL

LED Flood Light



LSL

Our New 2021 LSL Flood lights are the best solutions for landscaping, signage, and accent lighting in heavy commercial and residential applications. Our 100W LSL Flood Light is a power-packed, narrow-beam spotlight that produces high lumens to illuminate objects up to 98 feet away and our 36W up to 49ft. Its great for lighting flags, monuments, steeples, and bridges.

- RGB lights - High Lm 3-in-1 Osram LED Chips
- Single color lights - High Lm Bridgelux LED Chips
- RGB models are controlled by an APP to generate maximum colors
- High lumens per watt
- Die-Cast aluminum housing
- Heat resistant polycarbonate optical lens
- IP65 rating and many beam angles
- Optional DMX512 Controller
- LSL RGB Controller with APP is Included
- Universal 100-277Vac

LSL

LED Flood Light

| SKU # | Model # | Watts | Lumens | CCT | Beam Angle | Input Voltage | Certifications |
|--------|---------------|-------|--------|-------|------------|---------------|----------------|
| 151329 | BLT-FL02-SQ03 | 36W | N/A | RGB | 36° | 100-277Vac | ETL |
| 151334 | BLT-FL02-SQ03 | 36W | N/A | BLUE | 30° | 100-277Vac | ETL |
| 151350 | BLT-FL02-SQ03 | 36W | 3200Lm | 3000K | 8° | 100-277Vac | ETL |
| 151351 | BLT-FL02-SQ03 | 36W | N/A | GREEN | 8° | 100-277Vac | ETL |
| 151330 | BLT-FL07-01 | 100W | N/A | RGB | 36° | 100-277Vac | ETL |
| 151331 | BLT-FL07-01 | 100W | 9000Lm | 3000K | 30° | 100-277Vac | ETL |
| 151332 | BLT-FL07-01 | 100W | N/A | GREEN | 30° | 100-277Vac | ETL |
| 151333 | BLT-FL07-01 | 100W | N/A | BLUE | 30° | 100-277Vac | ETL |

RGB & 1 Color Lights



LSL

LED Flood Light



Specifications - 36W

| | |
|--------------------|-----------------------|
| IP | IP65 |
| Ingress Protection | CE / ROHS / ETL / FCC |

| | |
|-----------------------|----------------------------------|
| Product Size | 9.566929" X 7.48031" X 4.251969" |
| Installation method | Wall / Ceiling / Ground |
| Fixture Color | Grey |
| Storage Temperature | -40°F to 158°F |
| Operating Temperature | -40°F to 122°F |

| | |
|-------------------|--|
| Power Supply | Done UL listed driver for one color / WN driver for RGB color |
| Power Input | 36W |
| Input voltage | AC100-277V |
| Control way | on off for one color / DMX512 for RGB RGBW color |
| Driver Efficiency | 90% |
| Power factor | >0.9 |

| | |
|--------------|---|
| LED chip | Bridgelux |
| LED quantity | 36pcs |
| Life Span | 5 years for one color / 3 years for RGB color |

LSL

LED Flood Light



Specifications - 100W

| | |
|--------------------|-----------------------|
| IP | IP65 |
| Ingress Protection | CE / ROHS / ETL / FCC |

| | |
|-----------------------|----------------------------------|
| Product Size | 14.9606" X 7.677165" X 6.102362" |
| Installation method | Wall / Ceiling / Ground |
| Fixture Color | Grey |
| Storage Temperature | -40°F to 158°F |
| Operating Temperature | -40°F to 122°F |

| | |
|-------------------|---|
| Power Supply | Meanwell for one color / WN for RGB color |
| Power Input | 100W |
| Input voltage | AC100-277V |
| Control way | on off for one color / DMX512 for RGB RGBW color |
| Driver Efficiency | 90% |
| Power Factor | ≥0.9 |

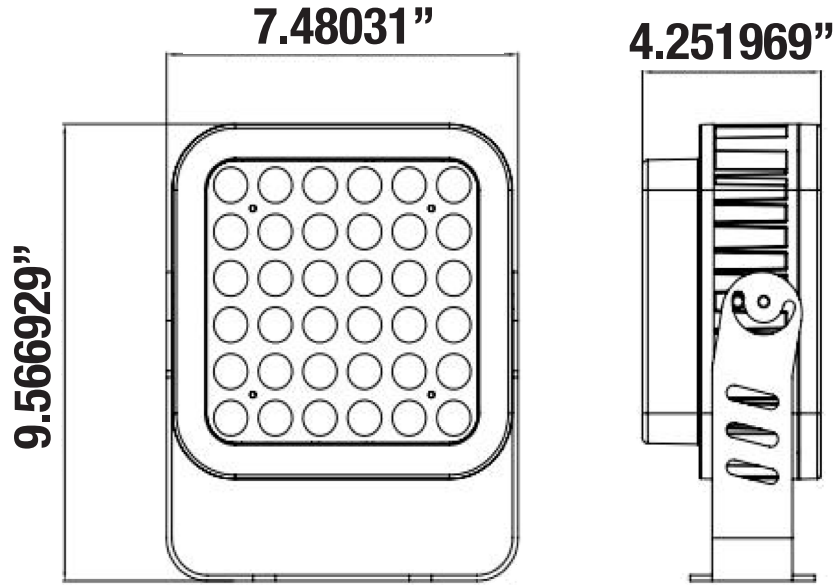
| | |
|--------------|---|
| LED Brand | Bridgelux |
| LED quantity | 60pcs |
| Life Span | 5 years for one color / 3 years for RGB color |

LSL

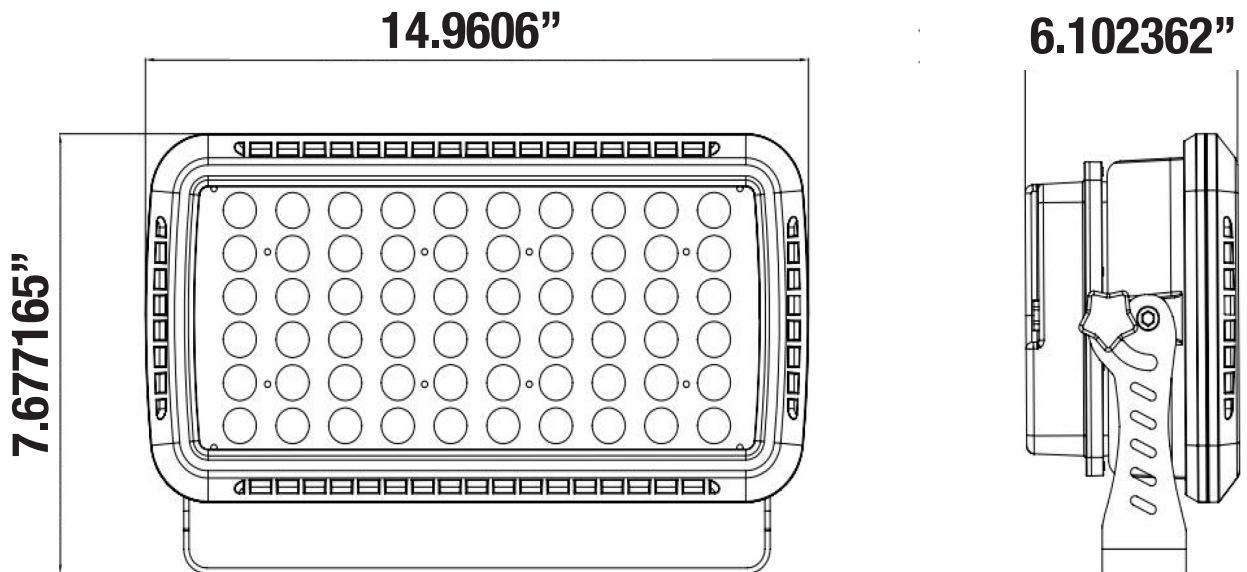
LED Flood Light

Dimensions

36W



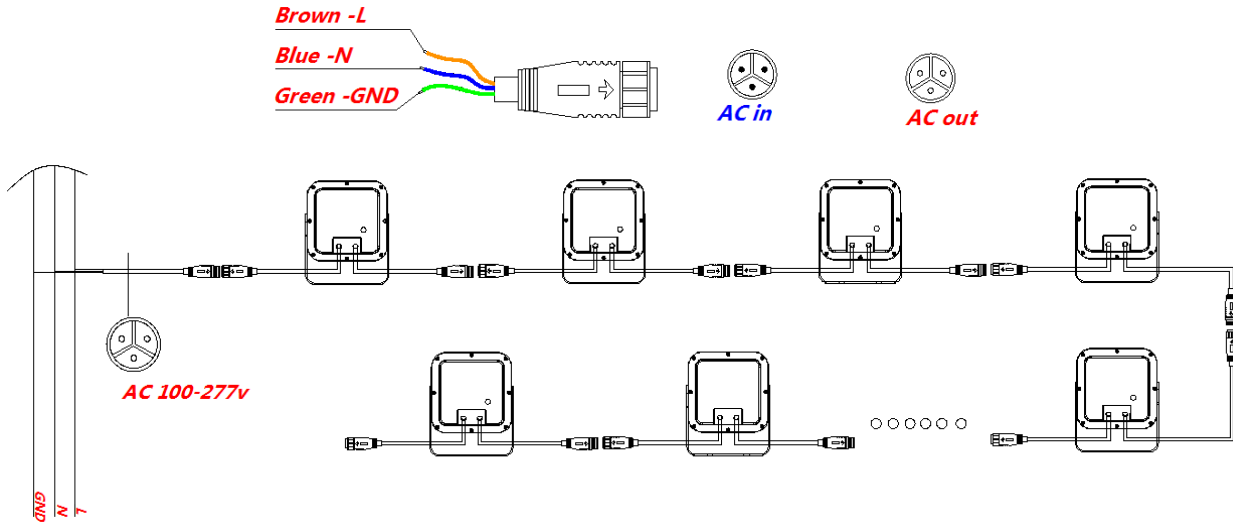
100W



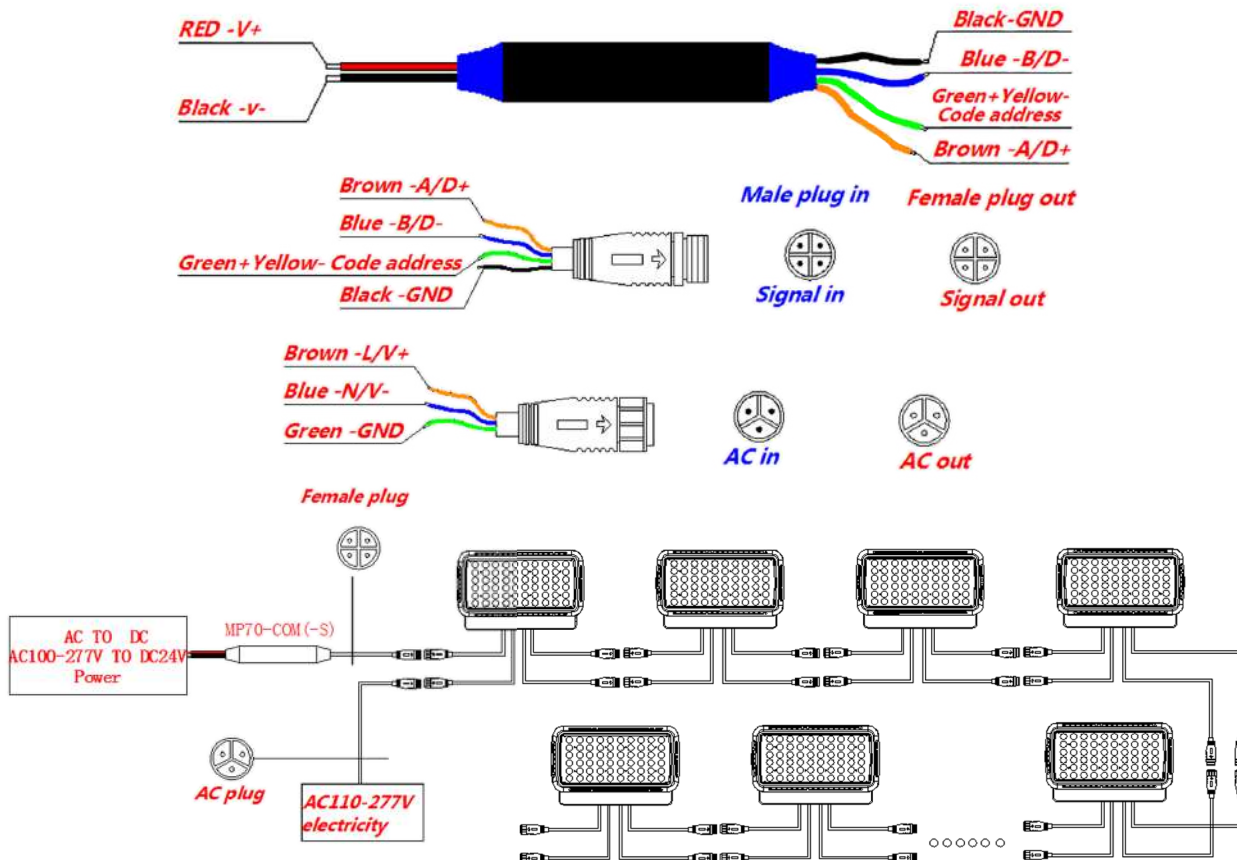
LSL

LED Flood Light

Single Color Wiring Diagram



RGB Color Wiring Diagram



LSL LED Flood Light



Distribution Diagram

36W RGB - SKU #151329

LUMINAIRE PHOTOMETRIC TEST REPORT

Luminaire Property

Manufacturer:
Luminaire Type: WN-FL02-SQ03 RGB
Lamp Type:
Luminous Width: 0 mm
Luminous Length: 0 mm
Luminous Height: 0 mm

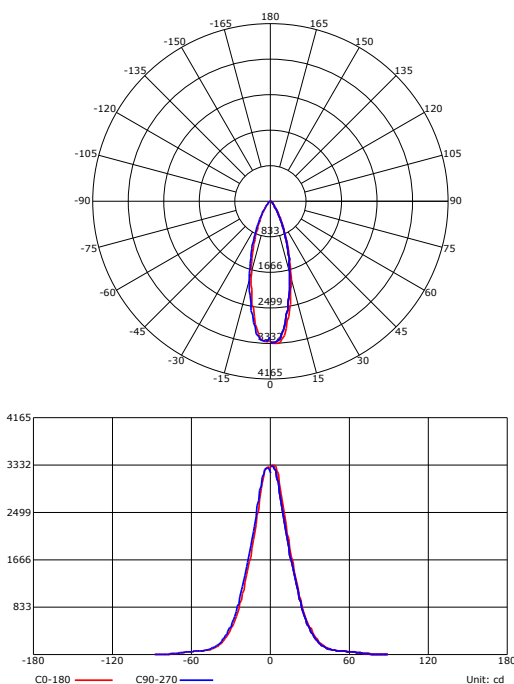
Voltage(V): 219.38 V
Current(A): 0.2220 A
Power(W): 28.70 W
Power Factor: 0.5870
Lamp Luminous Flux: 1374.40

Photometric Results

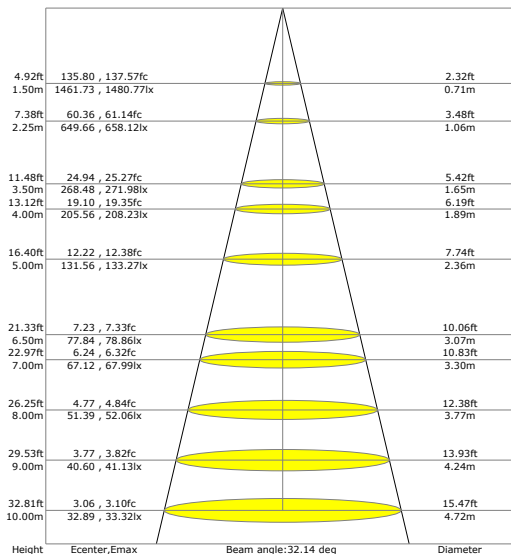
CIE Class: Direct
Luminaire Luminous Flux: 1374.399
Downward Ratio: 100.00%
Luminaire Efficacy Rating(LER): 47.88 lm/W
Beam Angle(50%Imax): L=-16.51 R=15.63
Field Angle(10%Imax): L=-33.67 R=32.47

Max. Intensity: 3331.73 cd
Max.Intensity Angle: C=0 Gamma=2
Upward Ratio: 0.00%
Efficacy: 100.00%
Center Intensity: 3288.89 cd

Luminous Intensity Distribution Curve



LX-DISTANCE DIAGRAM



LSL LED Flood Light



Distribution Diagram

100W RGB - SKU #151330

LUMINAIRE PHOTOMETRIC TEST REPORT

Luminaire Property

Manufacturer:
Luminaire Type: WN-FL07-01 RGB
Lamp Type:
Luminous Width: 0 mm
Luminous Length: 0 mm
Luminous Height: 0 mm

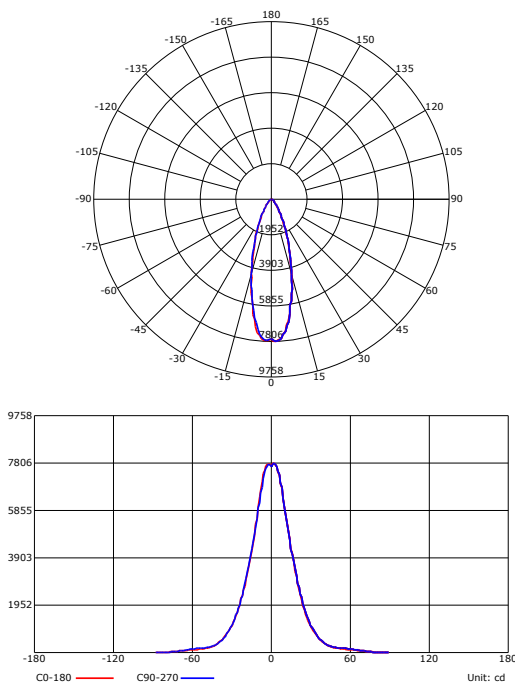
Voltage(V): 221.29 V
Current(A): 0.3920 A
Power(W): 80.99 W
Power Factor: 0.9330
Lamp Luminous Flux: 3294.92

Photometric Results

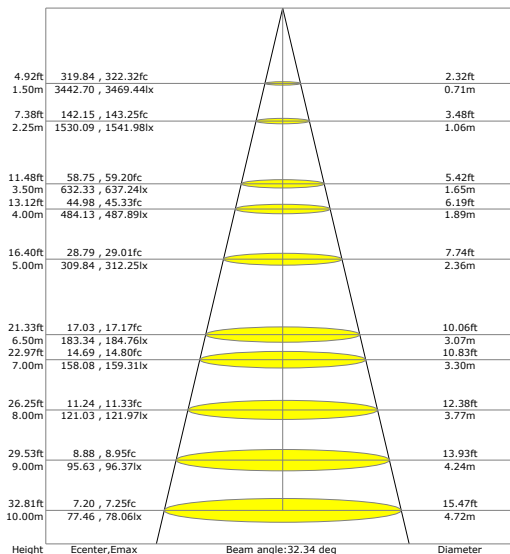
CIE Class: Direct
Luminaire Luminous Flux: 3294.92
Downward Ratio: 100.00%
Luminaire Efficacy Rating(LER): 40.68 lm/W
Beam Angle(50%Imax): L=-16.86 R=15.48
Field Angle(10%Imax): L=-34.64 R=32.22

Max. Intensity: 7806.25 cd
Max.Intensity Angle: C=0 Gamma=2
Upward Ratio: 0.00%
Efficacy: 100.00%
Center Intensity: 7746.07 cd

Luminous Intensity Distribution Curve



LX-DISTANCE DIAGRAM



LSL LED Flood Light



Distribution Diagram

36W 3000K - SKU #151350

LUMINAIRE PHOTOMETRIC TEST REPORT

Luminaire Property

Manufacturer:
 Luminaire Type: WN-FL02-SQ03 3000k
 Lamp Type:
 Luminous Width: 0 mm
 Luminous Length: 0 mm
 Luminous Height: 0 mm

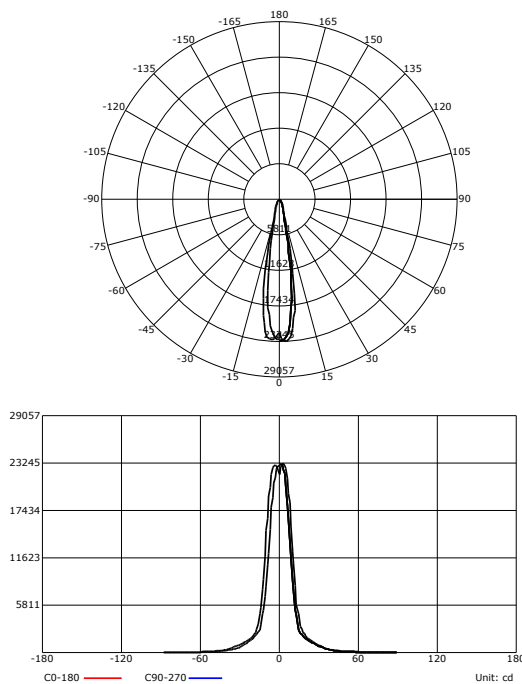
Voltage(V): 219.59 V
 Current(A): 0.1780 A
 Power(W): 37.06 W
 Power Factor: 0.9470
 Lamp Luminous Flux: 3580.00

Photometric Results

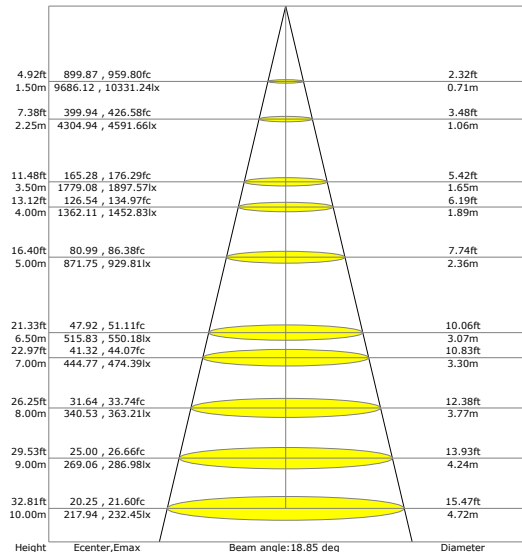
CIE Class: Direct
 Luminaire Luminous Flux: 3579.999
 Downward Ratio: 100.00%
 Luminaire Efficacy Rating(LER): 96.61 lm/W
 Beam Angle(50%Imax): L=-10.37 R=8.48
 Field Angle(10%Imax): L=-18.71 R=16.76

Max. Intensity: 23245.28 cd
 Max.Intensity Angle: C=0 Gamma=3
 Upward Ratio: 0.00%
 Efficacy: 100.00%
 Center Intensity: 21793.78 cd

Luminous Intensity Distribution Curve



LX-DISTANCE DIAGRAM



LSL

LED Flood Light



Distribution Diagram

100W 3000K - SKU #151331

LUMINAIRE PHOTOMETRIC TEST REPORT

Luminaire Property

Manufacturer:
 Luminaire Type: WN-FL07-01 3000k
 Lamp Type:
 Luminous Width: 0 mm
 Luminous Length: 0 mm
 Luminous Height: 0 mm

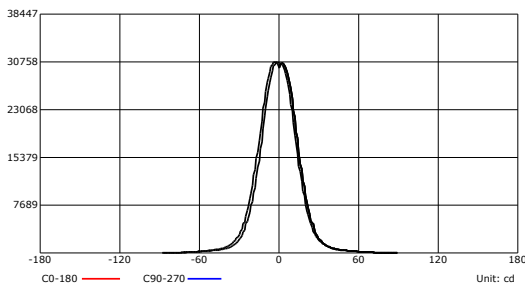
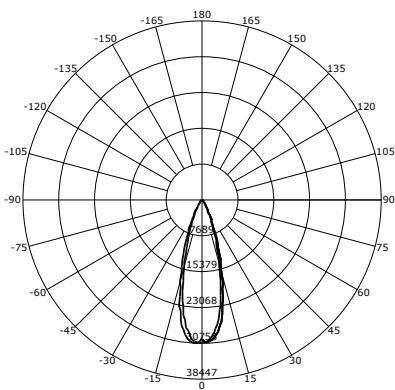
Voltage(V): 220.46 V
 Current(A): 0.4760 A
 Power(W): 103.55 W
 Power Factor: 0.9860
 Lamp Luminous Flux: 10142.02

Photometric Results

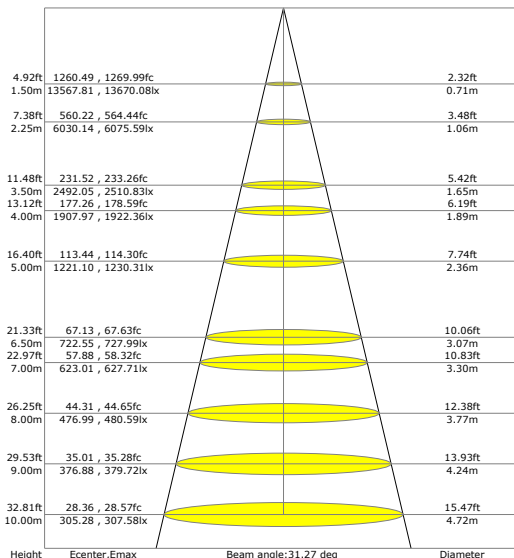
CIE Class: Direct
 Luminaire Luminous Flux: 10142.01
 Downward Ratio: 100.00%
 Luminaire Efficacy Rating(LER): 97.94 lm/W
 Beam Angle(50%Imax): L=-16.42 R=14.84
 Field Angle(10%Imax): L=-29.22 R=27.83

Max. Intensity: 30757.69 cd
 Max.Intensity Angle: C=180 Gamma=
 Upward Ratio: 0.00%
 Efficacy: 100.00%
 Center Intensity: 30527.57 cd

Luminous Intensity Distribution Curve



LX-DISTANCE DIAGRAM



LSL LED Flood Light



Distribution Diagram

36W Green - SKU #151351

LUMINAIRE PHOTOMETRIC TEST REPORT

Luminaire Property

Manufacturer:
 Luminaire Type: WN-FL02-SQ03 Green
 Lamp Type:
 Luminous Width: 0 mm
 Luminous Length: 0 mm
 Luminous Height: 0 mm

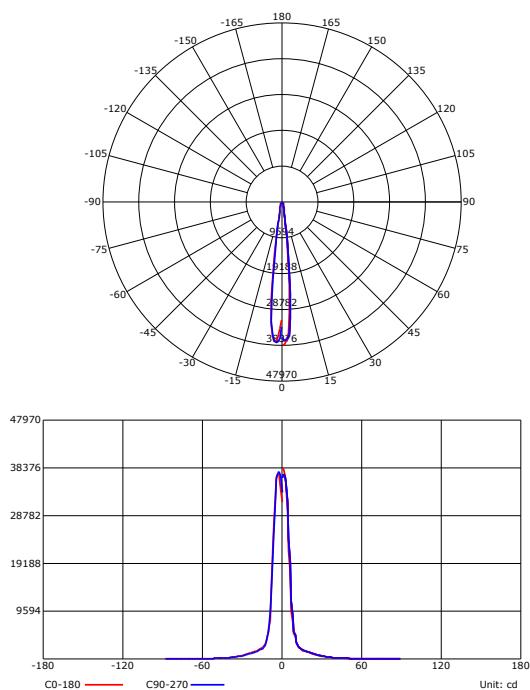
Voltage(V): 219.54 V
 Current(A): 0.1770 A
 Power(W): 36.88 W
 Power Factor: 0.9470
 Lamp Luminous Flux: 2764.79

Photometric Results

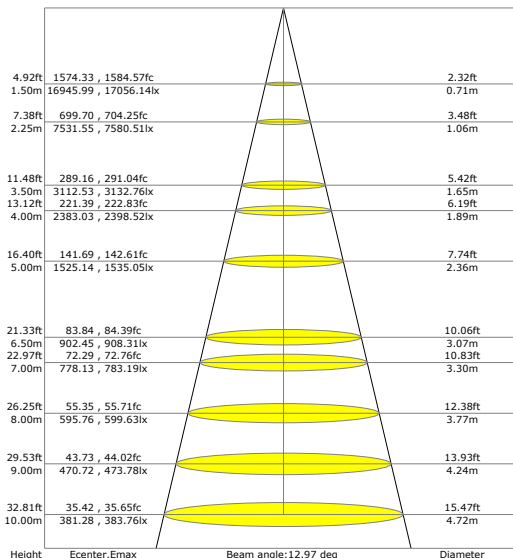
CIE Class: Direct
 Luminaire Luminous Flux: 2764.792
 Downward Ratio: 100.00%
 Luminaire Efficacy Rating(LER): 74.97 lm/W
 Beam Angle(50%Imax): L=-7.39 R=5.58
 Field Angle(10%Imax): L=-11.67 R=10.60

Max. Intensity: 38376.31 cd
 Max.Intensity Angle: C=0 Gamma=1
 Upward Ratio: 0.00%
 Efficacy: 100.00%
 Center Intensity: 38128.49 cd

Luminous Intensity Distribution Curve



LX-DISTANCE DIAGRAM



LSL LED Flood Light



Distribution Diagram

100W Green - SKU #151332

LUMINAIRE PHOTOMETRIC TEST REPORT

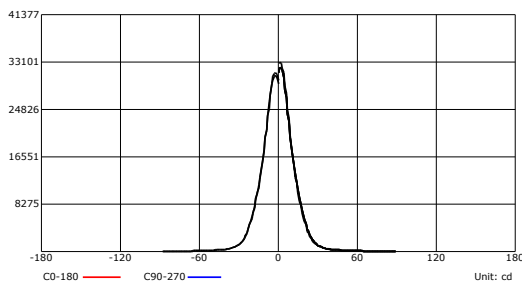
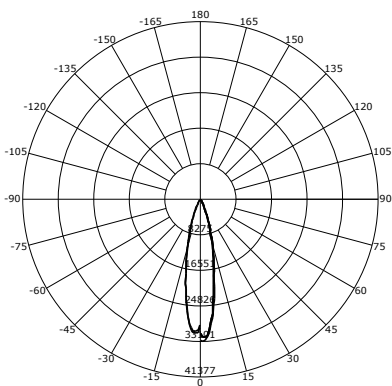
Luminaire Property

| | |
|--|-----------------------------|
| Manufacturer: | Voltage(V): 220.19 V |
| Luminaire Type: WN-FL07-01 Green Solar Energy Benefits | Current(A): 0.4230 A |
| Lamp Type: | Power(W): 91.71 W |
| Luminous Width: 0 mm | Power Factor: 0.9830 |
| Luminous Length: 0 mm | Lamp Luminous Flux: 6834.41 |
| Luminous Height: 0 mm | |

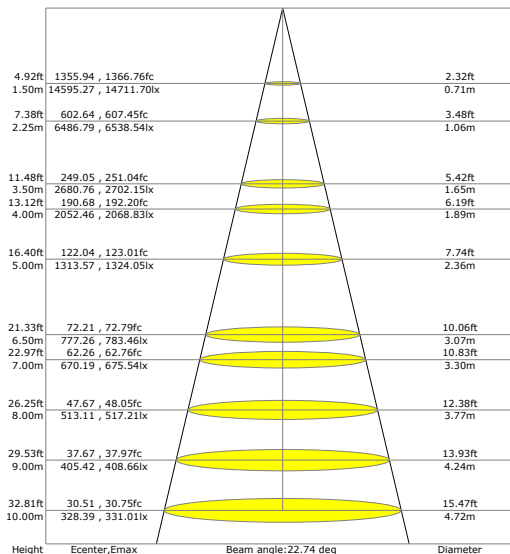
Photometric Results

| | |
|--|----------------------------------|
| CIE Class: Direct | Max. Intensity: 33101.34 cd |
| Luminaire Luminous Flux: 6834.412 | Max.Intensity Angle: C=0 Gamma=1 |
| Downward Ratio: 100.00% | Upward Ratio: 0.00% |
| Luminaire Efficacy Rating(LER): 74.52 lm/W | Efficacy: 100.00% |
| Beam Angle(50%Imax): L=-11.57 R=11.17 | Center Intensity: 32839.36 cd |
| Field Angle(10%Imax): L=-23.73 R=22.41 | |

Luminous Intensity Distribution Curve



LX-DISTANCE DIAGRAM



LSL LED Flood Light



Distribution Diagram

36W Blue - SKU #151334

LUMINAIRE PHOTOMETRIC TEST REPORT

Luminaire Property

Manufacturer:
Luminaire Type: WN-FL02-SQ03 Blue
Lamp Type:
Luminous Width: 0 mm
Luminous Length: 0 mm
Luminous Height: 0 mm

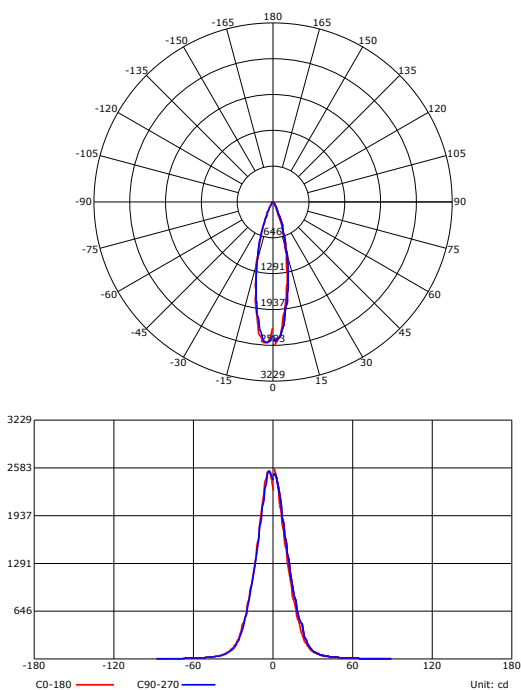
Voltage(V): 219.60 V
Current(A): 0.1800 A
Power(W): 37.74 W
Power Factor: 0.9500
Lamp Luminous Flux: 636.37

Photometric Results

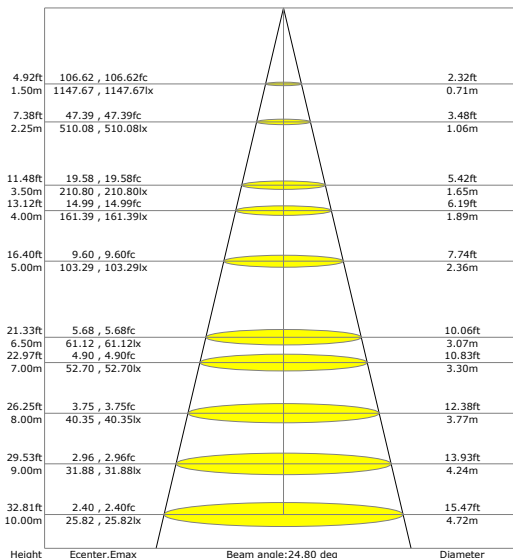
CIE Class: Direct
Luminaire Luminous Flux: 636.3719
Downward Ratio: 100.00%
Luminaire Efficacy Rating(LER): 16.86 lm/W
Beam Angle(50%Imax): L=-12.61 R=12.19
Field Angle(10%Imax): L=-25.36 R=24.38

Max. Intensity: 2582.26 cd
Max.Intensity Angle: C=0 Gamma=0
Upward Ratio: 0.00%
Efficacy: 100.00%
Center Intensity: 2582.26 cd

Luminous Intensity Distribution Curve



LX-DISTANCE DIAGRAM



LSL LED Flood Light

Distribution Diagram



100W Blue - SKU #151333

LUMINAIRE PHOTOMETRIC TEST REPORT

Luminaire Property

Manufacturer:
Luminaire Type: WN-FL07-01 Blue
Lamp Type:
Luminous Width: 0 mm
Luminous Length: 0 mm
Luminous Height: 0 mm

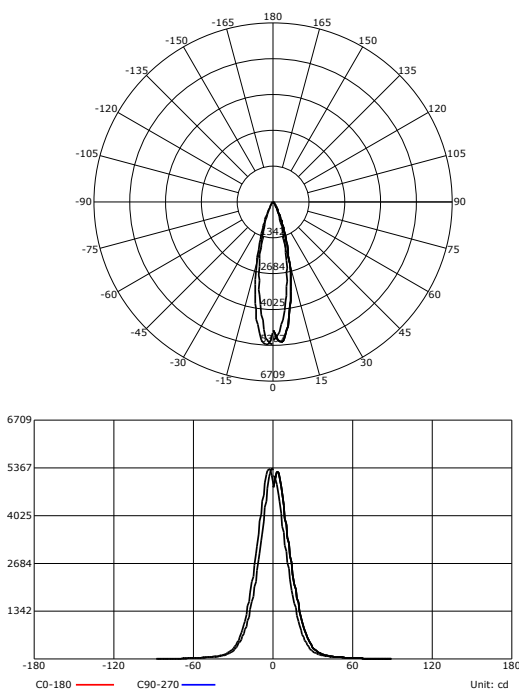
Voltage(V): 219.99 V
Current(A): 0.3750 A
Power(W): 80.89 W
Power Factor: 0.9790
Lamp Luminous Flux: 1318.41

Photometric Results

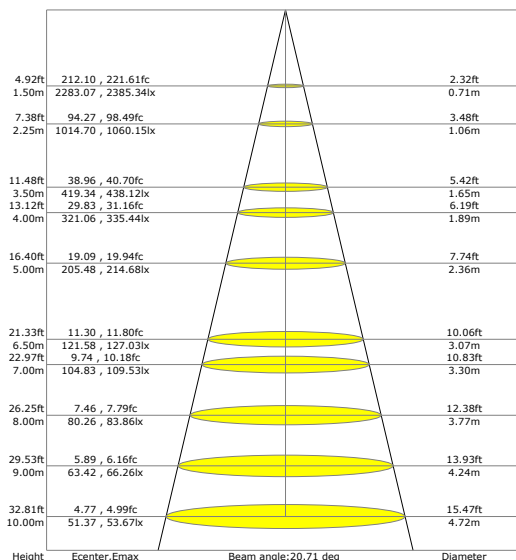
CIE Class: Direct
Luminaire Luminous Flux: 1318.405
Downward Ratio: 100.00%
Luminaire Efficacy Rating(LER): 16.30 lm/W
Beam Angle(50%Imax): L=-9.52 R=11.19
Field Angle(10%Imax): L=-22.39 R=23.72

Max. Intensity: 5367.02 cd
Max.Intensity Angle: C=135 Gamma=
Upward Ratio: 0.00%
Efficacy: 100.00%
Center Intensity: 5136.90 cd

Luminous Intensity Distribution Curve



LX-DISTANCE DIAGRAM



LSL

LED Flood Light

Installation - 36W



I .Feature:

Quality aviation die-casting Aluminium, Polishing, Nano electrostatic spraying, large plate tough heat dissipation design, ensure long life span in the bad environment. With tempered glass and silicon sealed IP65 design, water proof, cross-ion proof, used in rainy and cold area.

II .Attention:

- 1.Make sure that the voltage is within the permissible range
- 2.Switch off the power supply before installation
- 3.Keep away from the cover and do not stare at the lamp when it electrified
- 4.The luminaire should be installed by a professional electrician.
- 5.Storage temperature:-65°C~+50°C, working temperature: -30°C~+50°C, best working temperature:-0°C~+30°C
- 6.Because the luminaire includes glass accessories, please be careful when moving it.

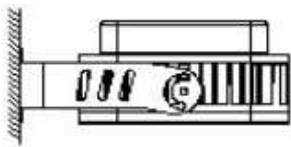
LSL

LED Flood Light

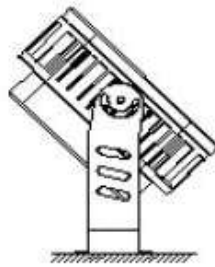
Installation - 36W

III. Installation diagram

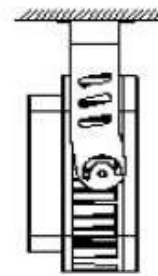
1. Available in ground-mounting, wall-mounting installation and ceiling mounting installation
2. The rotation angle of the bracket is up to 180 degrees
3. Install the floodlight onto the ground, wall, or ceiling and fix it with screw
4. Then connect it with power installation.



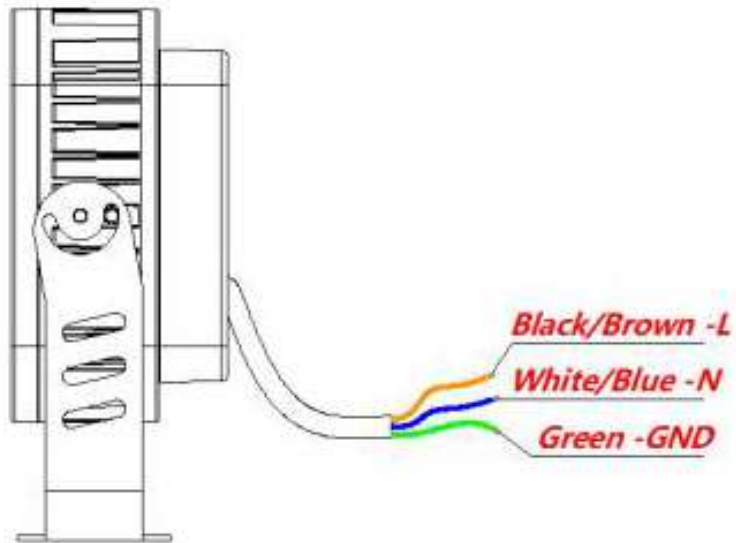
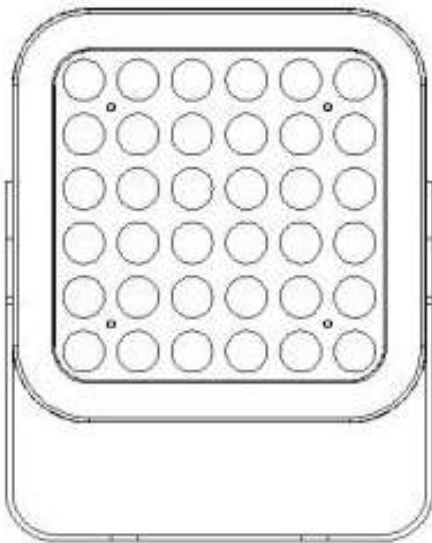
Wall mounting



Ground mounting



Ceiling mounting



IV. Maintenance

1. Before Maintain, please cut out the power.
2. Clean the luminaire glass regularly, to keep the good transmission of light.
3. Keep the luminaire heat sinker and housing clean, to make sure good heat dissipation.
4. Please not use water or corrosion liquid to clean the luminaire, better use try staff.
5. When change the power supply, use the screw driver to open the back cover, connect the wire based on the original color.

LSL

LED Flood Light

Installation - 100W



I .Feature:

Quality aviation die-casting Aluminium, Polishing, Nano electrostatic spraying, large plate tough heat dissipation design, ensure long life span in the bad environment. With tempered glass and silicon sealed IP65 design, water proof, cross-ion proof, used in rainy and cold area.

II .Attention:

- 1.Make sure that the voltage is within the permissible range
- 2.Switch off the power supply before installation
- 3.Keep away from the cover and do not stare at the lamp when it electrified
- 4.The luminaire should be installed by a professional electrician.
- 5.Storage temperature:-65°C~+50°C, working temperature: -30°C~+50°C, best working temperature:-0°C~+30°C
- 6.Because the luminaire includes glass accessories, please be careful when moving it.

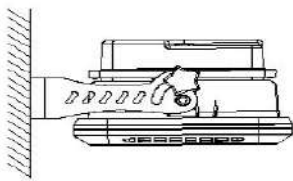
LSL

LED Flood Light

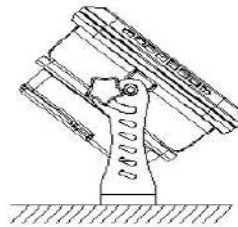
Installation - 100W

III. Installation diagram

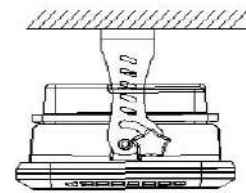
1. Available in ground-mounting, wall-mounting installation and ceiling mounting installation
2. The rotation angle of the bracket is up to 180 degrees
3. Install the floodlight onto the ground, wall, or ceiling and fix it with screw
4. Then connect it with power installation.



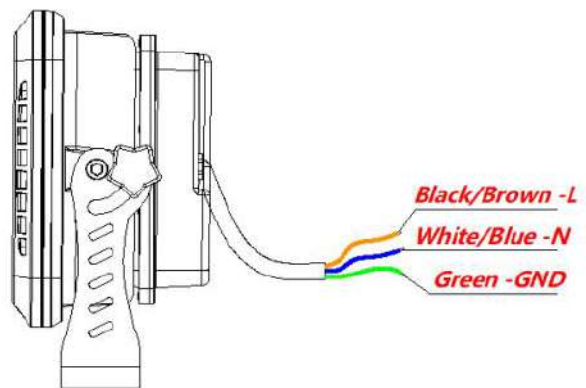
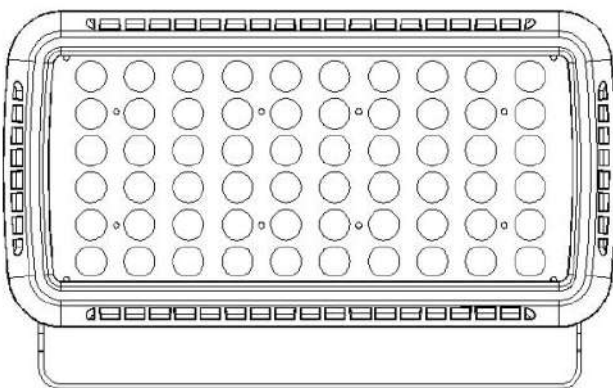
Wall mounting



Ground mounting



Ceiling mounting



IV. Maintenance

1. Before Maintain, please cut out the power.
2. Clean the luminaire glass regularly, to keep the good transmission of light.
3. Keep the luminaire heat sinker and housing clean, to make sure good heat dissipation.
4. Please not use water or corrosion liquid to clean the luminaire, better use try staff.
5. When change the power supply, use the screw driver to open the back cover, connect the wire based on the original color.

LSL

LED Flood Light

Packing

| SKU # | Model # | Pcs/Box | Dimensions | Weight | Pallet Quantity | Pallet Weight | Pallet Dimensions |
|--------|---------------|---------|-----------------|--------|-----------------|---------------|-------------------|
| 151329 | BLT-FL02-SQ03 | 4 | 24" X 11" X 14" | 33 Lb | | | |
| 151334 | BLT-FL02-SQ03 | 4 | 24" X 11" X 14" | 33 Lb | | | |
| 151350 | BLT-FL02-SQ03 | 4 | 24" X 11" X 14" | 33 Lb | | | |
| 151351 | BLT-FL02-SQ03 | 4 | 24" X 11" X 14" | 33 Lb | | | |
| 151330 | BLT-FL07-01 | 1 | 18" X 12" X 7" | 16 Lb | | | |
| 151331 | BLT-FL07-01 | 1 | 18" X 12" X 7" | 16 Lb | | | |
| 151332 | BLT-FL07-01 | 1 | 18" X 12" X 7" | 16 Lb | | | |
| 151333 | BLT-FL07-01 | 1 | 18" X 12" X 7" | 16 Lb | | | |



LED FLOOD LIGHT

LSL

LED Flood Light

Application



LED FLOOD LIGHT