

LED Flood Light

LSL Series



LSL Series

Our New 2021 LSL Series Flood lights are the best solutions for landscaping, signage, and accent lighting in heavy commercial and residential applications. Our 100W LSL Series is a power-packed, narrow-beam spotlight that produces high lumens to illuminate objects up to 98 feet away and our 36W up to 49ft. Its great for lighting flags, monuments, steeples, and bridges.

- RGB lights - High Lm 3-in-1 Osram LED Chips
- Single color lights - High Lm Bridgelux LED Chips
- RGB models are controlled by an APP to generate maximum colors
- High lumens per watt
- Die-Cast aluminum housing
- Heat resistant polycarbonate optical lens
- IP65 rating and many beam angles
- Optional DMX512 Controller
- Beyond RGB Controller with APP is Included
- Universal 100-277Vac

LED Flood Light

LSL Series

SKU #	Model #	Watts	Lumens	CCT	Beam Angle	Input Voltage	Certifications
151329	BLT-FL02-SQ03	36W	N/A	RGB	36°	100-277Vac	ETL
151334	BLT-FL02-SQ03	36W	N/A	BLUE	30°	100-277Vac	ETL
151350	BLT-FL02-SQ03	36W	3200Lm	3000K	8°	100-277Vac	ETL
151351	BLT-FL02-SQ03	36W	N/A	GREEN	8°	100-277Vac	ETL
151330	BLT-FL07-01	100W	N/A	RGB	36°	100-277Vac	ETL
151331	BLT-FL07-01	100W	9000Lm	3000K	30°	100-277Vac	ETL
151332	BLT-FL07-01	100W	N/A	GREEN	30°	100-277Vac	ETL
151333	BLT-FL07-01	100W	N/A	BLUE	30°	100-277Vac	ETL

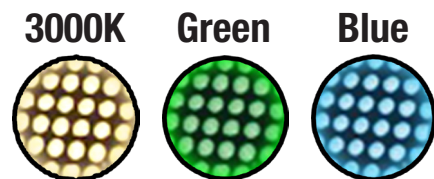
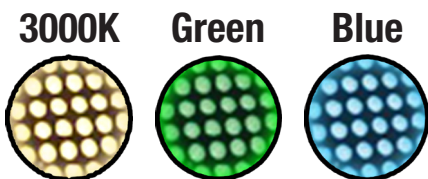
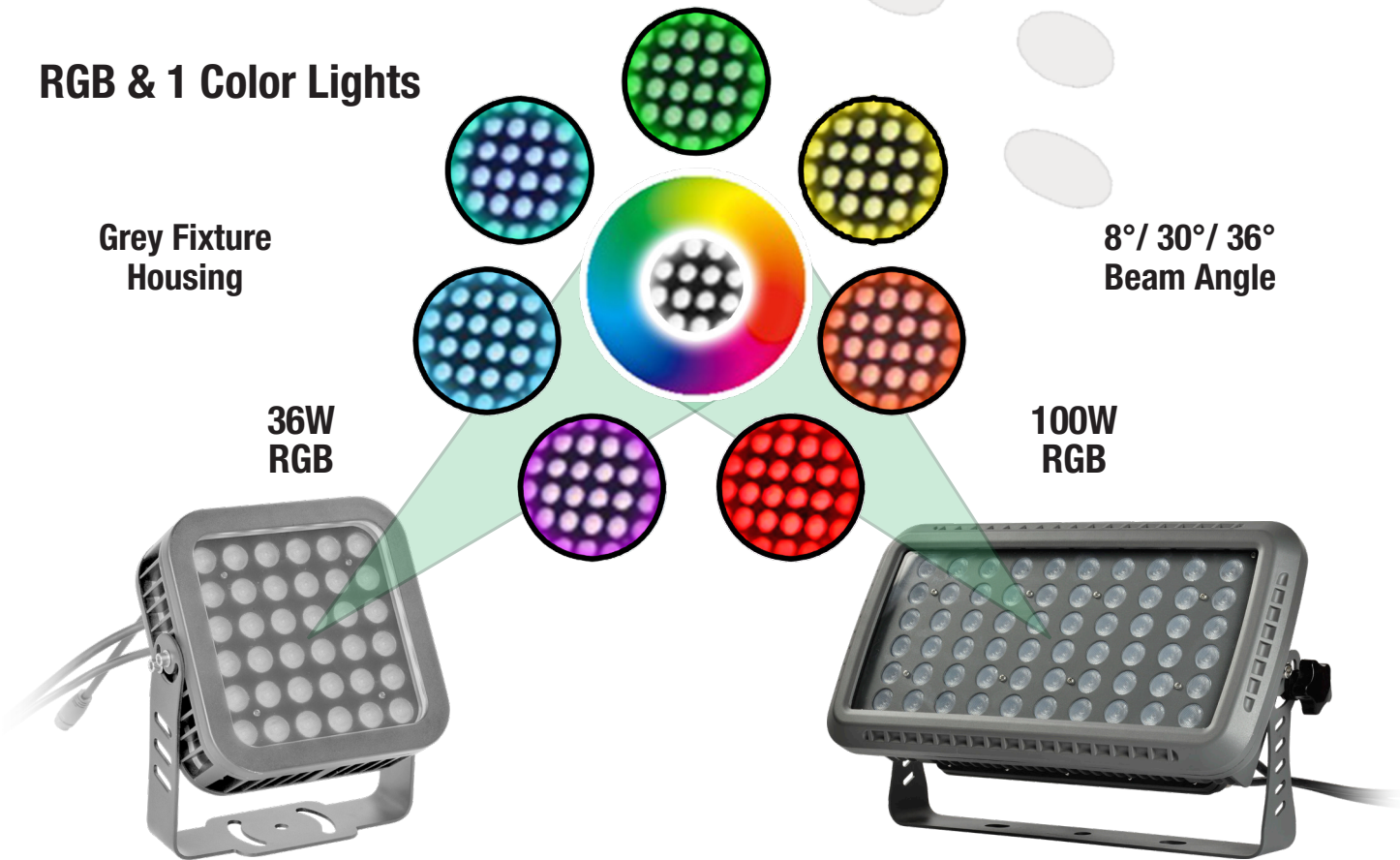
RGB & 1 Color Lights

Grey Fixture Housing

8° / 30° / 36°
Beam Angle

36W
RGB

100W
RGB



(866) 786-1117 • www.BeyondLEDTechnology.com

Due to continuous product improvement, information in this document is subject to change.

LED Flood Light

LSL Series



Specifications - 36W

IP	IP65
Ingress Protection	CE / ROHS / ETL / FCC

Product Size	9.566929" X 7.48031" X 4.251969"
Installation method	Wall / Ceiling / Ground
Fixture Color	Grey
Storage Temperature	-40°F to 158°F
Operating Temperature	-40°F to 122°F

Power Supply	Done UL listed driver for one color / WN driver for RGB color
Power Input	36W
Input voltage	AC100-277V
Control way	on off for one color / DMX512 for RGB RGBW color
Driver Efficiency	90%
Power factor	>0.9

LED chip	Bridgelux
LED quantity	36pcs
Life Span	5 years for one color / 3 years for RGB color

LED Flood Light

LSL Series



Specifications - 100W

IP	IP65
Ingress Protection	CE / ROHS / ETL / FCC

Product Size	14.9606" X 7.677165" X 6.102362"
Installation method	Wall / Ceiling / Ground
Fixture Color	Grey
Storage Temperature	-40°F to 158°F
Operating Temperature	-40°F to 122°F

Power Supply	Meanwell for one color / WN for RGB color
Power Input	100W
Input voltage	AC100-277V
Control way	on off for one color / DMX512 for RGB RGBW color
Driver Efficiency	90%
Power Factor	≥0.9

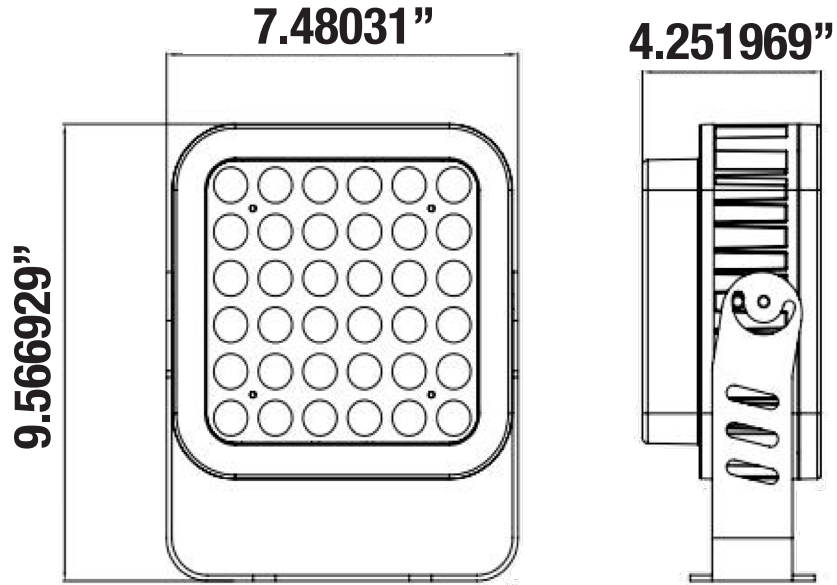
LED Brand	Bridgelux
LED quantity	60pcs
Life Span	5 years for one color / 3 years for RGB color

LED Flood Light

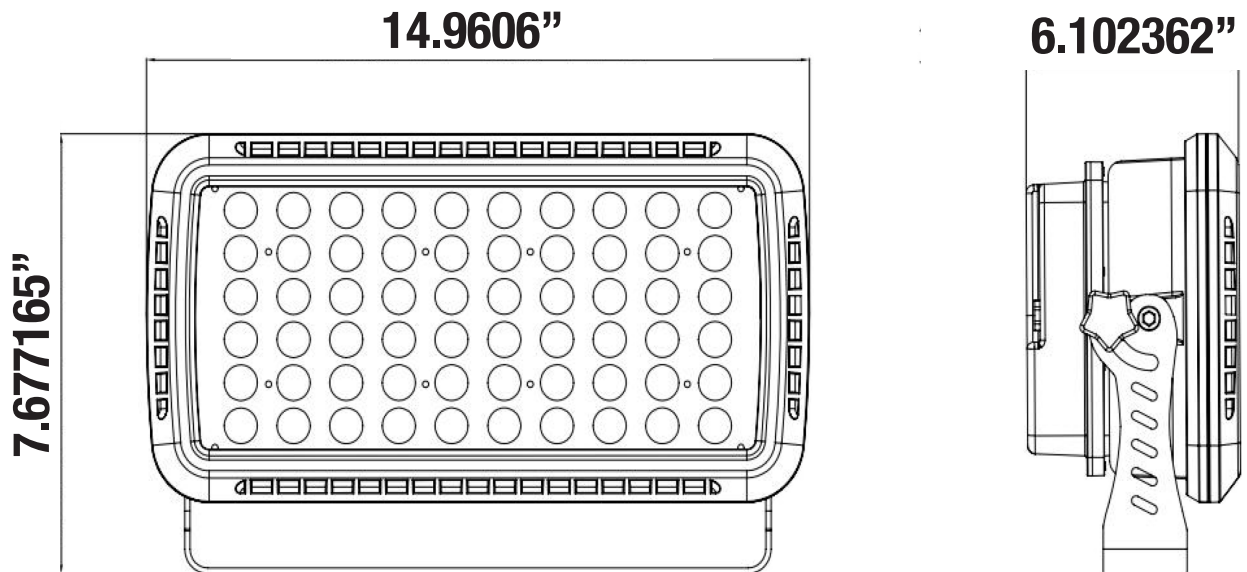
LSL Series

Dimensions

36W



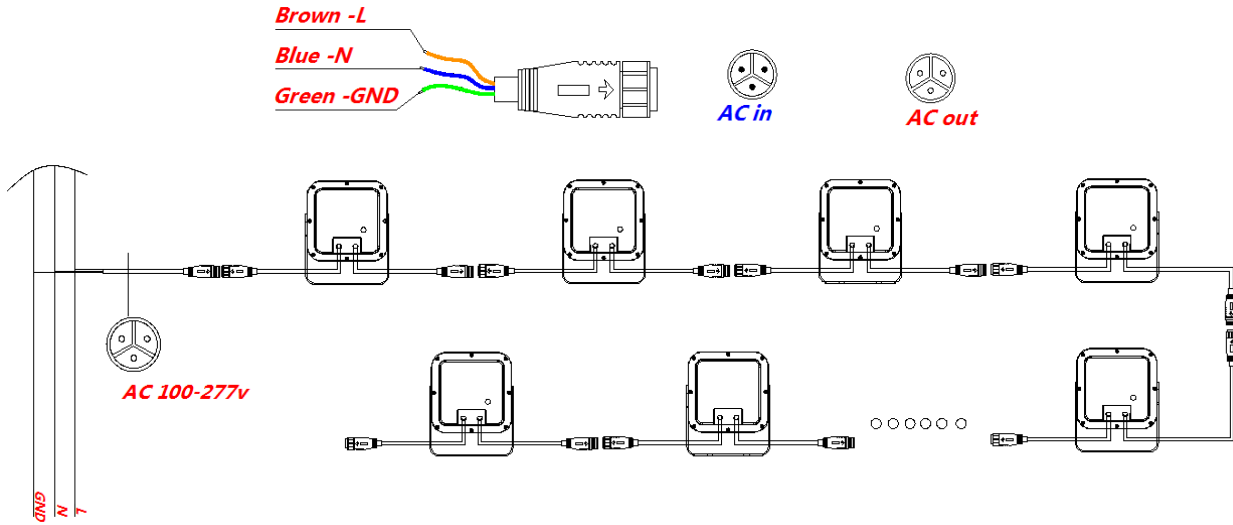
100W



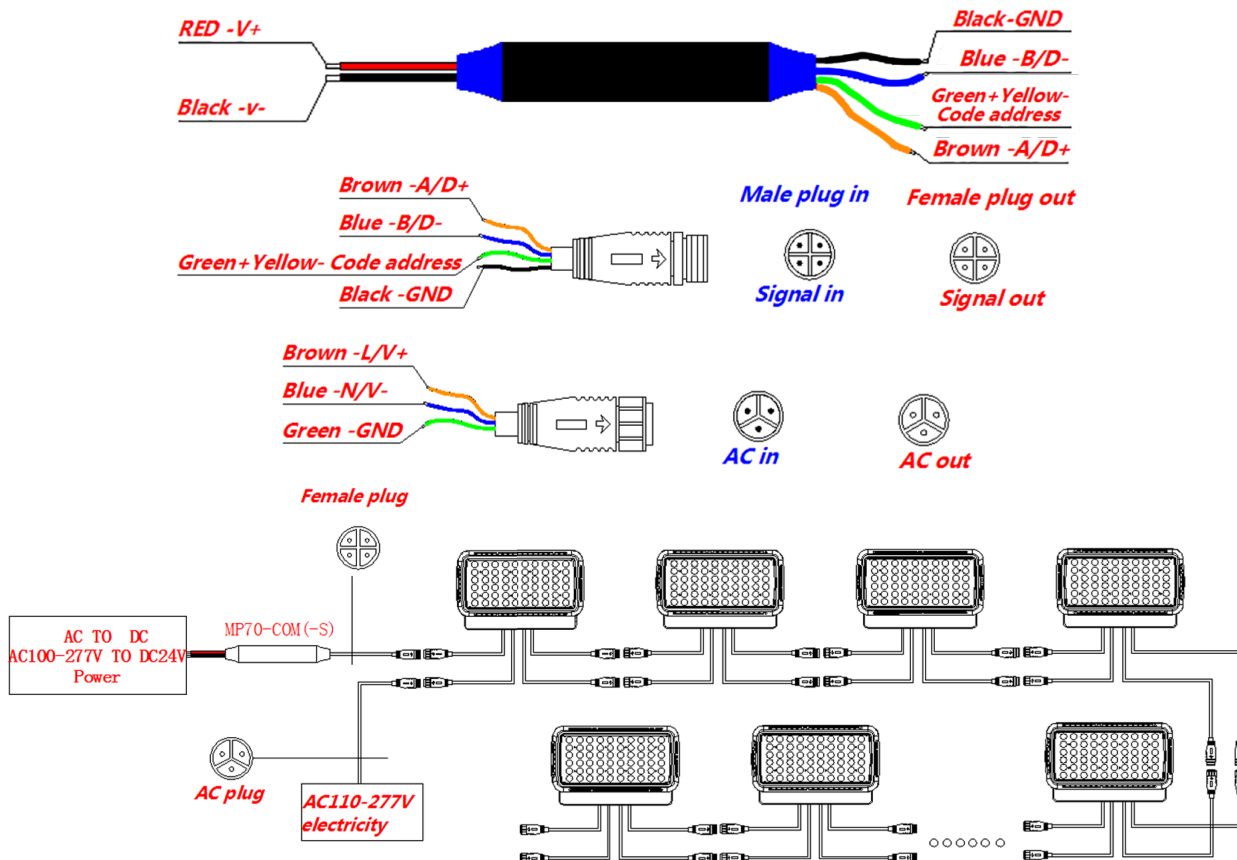
LED Flood Light

LSL Series

Single Color Wiring Diagram



RGB Color Wiring Diagram



(866) 786-1117 • www.BeyondLEDTechnology.com

Due to continuous product improvement, information in this document is subject to change.

LED Flood Light

LSL Series



Distribution Diagram

36W RGB - SKU #151329

LUMINAIRE PHOTOMETRIC TEST REPORT

Luminaire Property

Manufacturer:
 Luminaire Type: WN-FL02-SQ03 RGB
 Lamp Type:
 Luminous Width: 0 mm
 Luminous Length: 0 mm
 Luminous Height: 0 mm

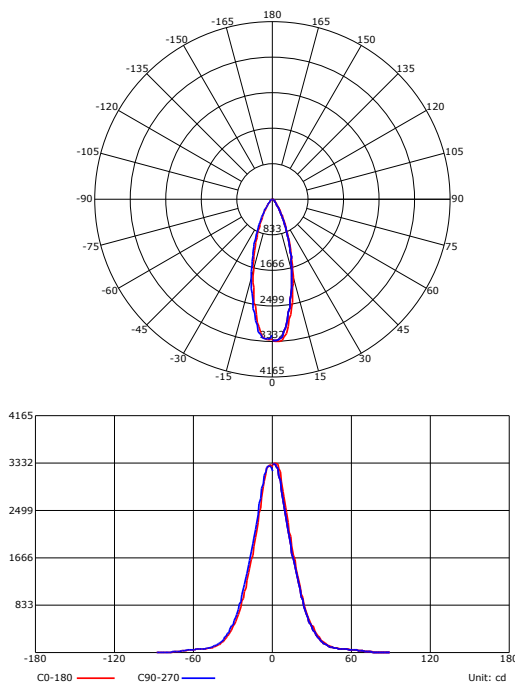
Voltage(V): 219.38 V
 Current(A): 0.2220 A
 Power(W): 28.70 W
 Power Factor: 0.5870
 Lamp Luminous Flux: 1374.40

Photometric Results

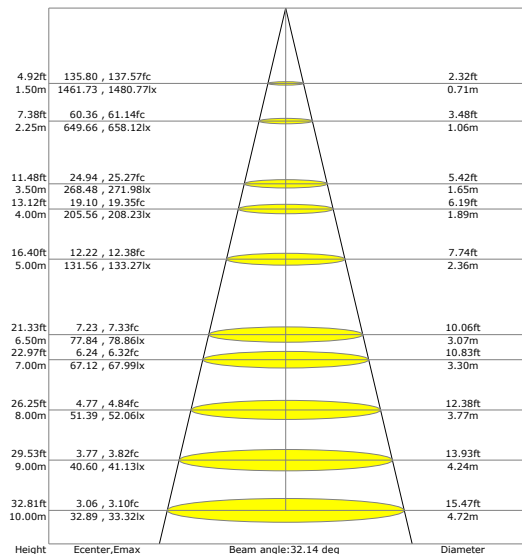
CIE Class: Direct
 Luminaire Luminous Flux: 1374.399
 Downward Ratio: 100.00%
 Luminaire Efficacy Rating(LER): 47.88 lm/W
 Beam Angle(50%Imax): L=-16.51 R=15.63
 Field Angle(10%Imax): L=-33.67 R=32.47

Max. Intensity: 3331.73 cd
 Max.Intensity Angle: C=0 Gamma=2
 Upward Ratio: 0.00%
 Efficacy: 100.00%
 Center Intensity: 3288.89 cd

Luminous Intensity Distribution Curve



LX-DISTANCE DIAGRAM



LED Flood Light

LSL Series

Distribution Diagram



100W RGB - SKU #151330

LUMINAIRE PHOTOMETRIC TEST REPORT

Luminaire Property

Manufacturer:
 Luminaire Type: WN-FL07-01 RGB
 Lamp Type:
 Luminous Width: 0 mm
 Luminous Length: 0 mm
 Luminous Height: 0 mm

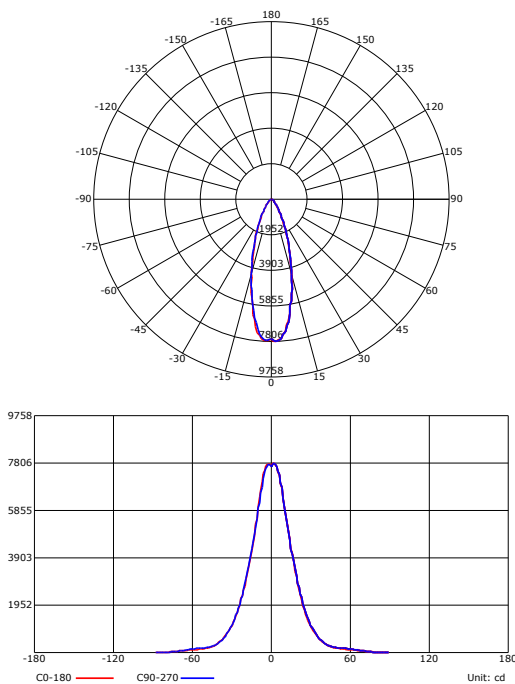
Voltage(V): 221.29 V
 Current(A): 0.3920 A
 Power(W): 80.99 W
 Power Factor: 0.9330
 Lamp Luminous Flux: 3294.92

Photometric Results

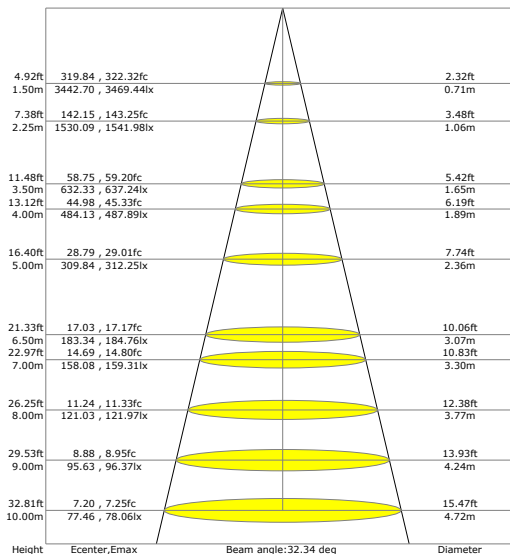
CIE Class: Direct
 Luminaire Luminous Flux: 3294.92
 Downward Ratio: 100.00%
 Luminaire Efficacy Rating(LER): 40.68 lm/W
 Beam Angle(50%Imax): L=-16.86 R=15.48
 Field Angle(10%Imax): L=-34.64 R=32.22

Max. Intensity: 7806.25 cd
 Max.Intensity Angle: C=0 Gamma=2
 Upward Ratio: 0.00%
 Efficacy: 100.00%
 Center Intensity: 7746.07 cd

Luminous Intensity Distribution Curve



LX-DISTANCE DIAGRAM



LED Flood Light

LSL Series



Distribution Diagram

36W 3000K - SKU #151350

LUMINAIRE PHOTOMETRIC TEST REPORT

Luminaire Property

Manufacturer:
 Luminaire Type: WN-FL02-SQ03 3000k
 Lamp Type:
 Luminous Width: 0 mm
 Luminous Length: 0 mm
 Luminous Height: 0 mm

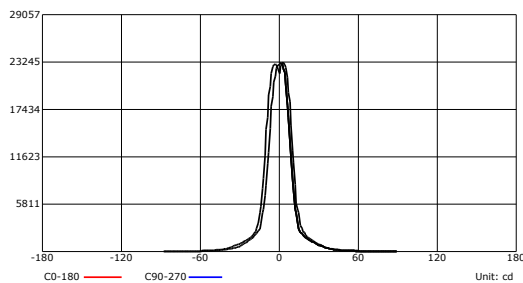
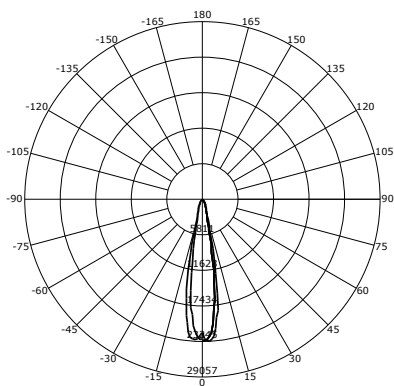
Voltage(V): 219.59 V
 Current(A): 0.1780 A
 Power(W): 37.06 W
 Power Factor: 0.9470
 Lamp Luminous Flux: 3580.00

Photometric Results

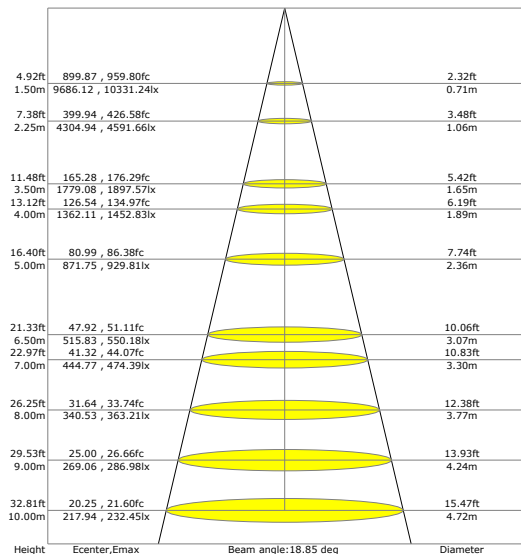
CIE Class: Direct
 Luminaire Luminous Flux: 3579.999
 Downward Ratio: 100.00%
 Luminaire Efficacy Rating(LER): 96.61 lm/W
 Beam Angle(50%Imax): L=-10.37 R=8.48
 Field Angle(10%Imax): L=-18.71 R=16.76

Max. Intensity: 23245.28 cd
 Max.Intensity Angle: C=0 Gamma=3
 Upward Ratio: 0.00%
 Efficacy: 100.00%
 Center Intensity: 21793.78 cd

Luminous Intensity Distribution Curve



LX-DISTANCE DIAGRAM



LED Flood Light

LSL Series

Distribution Diagram



100W 3000K - SKU #151331

LUMINAIRE PHOTOMETRIC TEST REPORT

Luminaire Property

Manufacturer:
 Luminaire Type: WN-FL07-01 3000k
 Lamp Type:
 Luminous Width: 0 mm
 Luminous Length: 0 mm
 Luminous Height: 0 mm

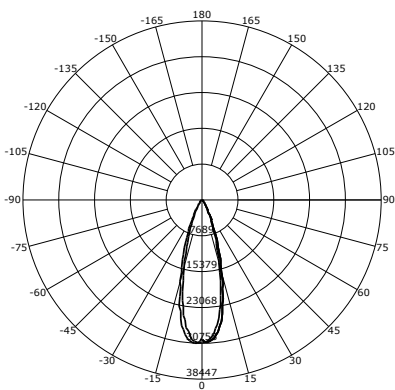
Voltage(V): 220.46 V
 Current(A): 0.4760 A
 Power(W): 103.55 W
 Power Factor: 0.9860
 Lamp Luminous Flux: 10142.02

Photometric Results

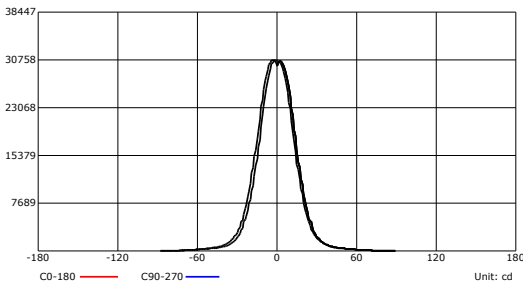
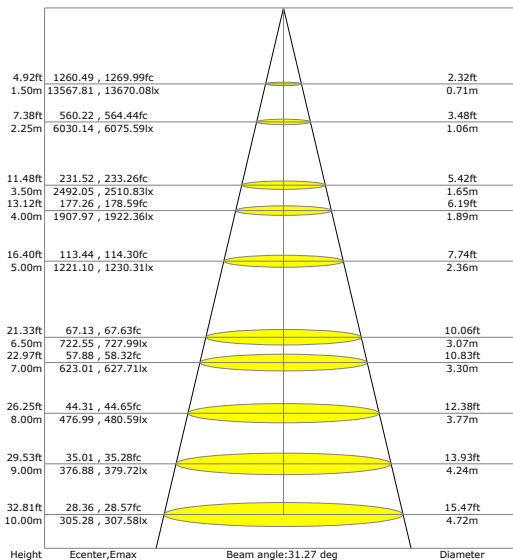
CIE Class: Direct
 Luminaire Luminous Flux: 10142.01
 Downward Ratio: 100.00%
 Luminaire Efficacy Rating(LER): 97.94 lm/W
 Beam Angle(50%Imax): L=-16.42 R=14.84
 Field Angle(10%Imax): L=-29.22 R=27.83

Max. Intensity: 30757.69 cd
 Max.Intensity Angle: C=180 Gamma=
 Upward Ratio: 0.00%
 Efficacy: 100.00%
 Center Intensity: 30527.57 cd

Luminous Intensity Distribution Curve



LX-DISTANCE DIAGRAM



LED Flood Light

LSL Series



Distribution Diagram

36W Green - SKU #151351

LUMINAIRE PHOTOMETRIC TEST REPORT

Luminaire Property

Manufacturer:
 Luminaire Type: WN-FL02-SQ03 Green
 Lamp Type:
 Luminous Width: 0 mm
 Luminous Length: 0 mm
 Luminous Height: 0 mm

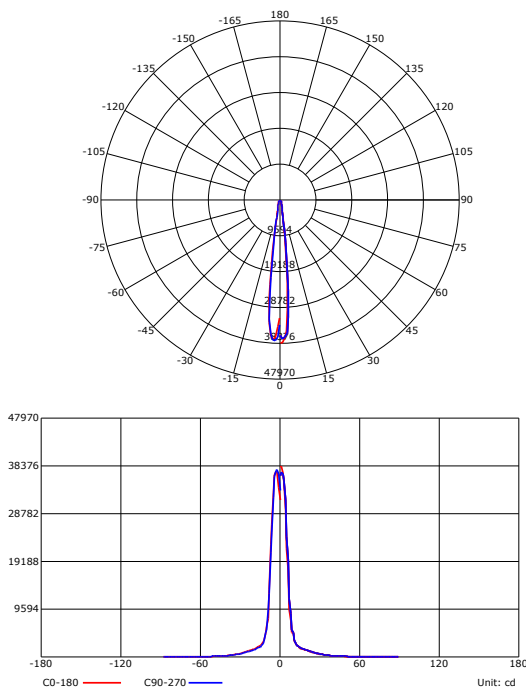
Voltage(V): 219.54 V
 Current(A): 0.1770 A
 Power(W): 36.88 W
 Power Factor: 0.9470
 Lamp Luminous Flux: 2764.79

Photometric Results

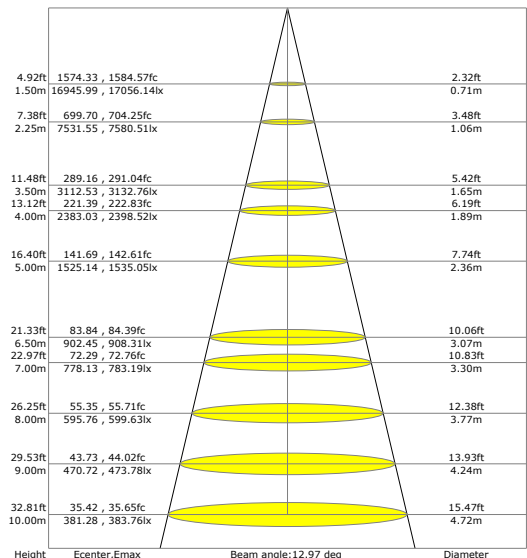
CIE Class: Direct
 Luminaire Luminous Flux: 2764.792
 Downward Ratio: 100.00%
 Luminaire Efficacy Rating(LER): 74.97 lm/W
 Beam Angle(50%Imax): L=-7.39 R=5.58
 Field Angle(10%Imax): L=-11.67 R=10.60

Max. Intensity: 38376.31 cd
 Max.Intensity Angle: C=0 Gamma=1
 Upward Ratio: 0.00%
 Efficacy: 100.00%
 Center Intensity: 38128.49 cd

Luminous Intensity Distribution Curve



LX-DISTANCE DIAGRAM



LED Flood Light

LSL Series

Distribution Diagram

100W Green - SKU #151332



LUMINAIRE PHOTOMETRIC TEST REPORT

Luminaire Property

Manufacturer:
 Luminaire Type: WN-FL07-01 Green
 Lamp Type:
 Luminous Width: 0 mm
 Luminous Length: 0 mm
 Luminous Height: 0 mm

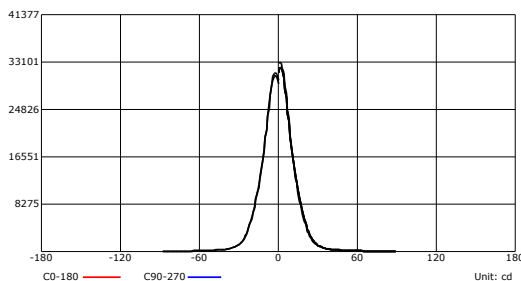
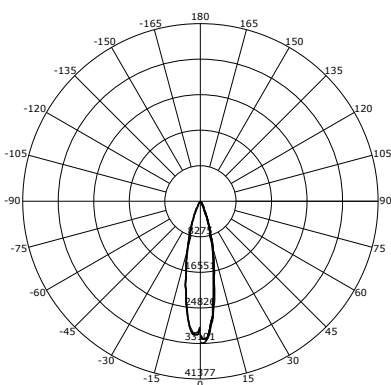
Voltage(V): 220.19 V
 Current(A): 0.4230 A
 Power(W): 91.71 W
 Power Factor: 0.9830
 Lamp Luminous Flux: 6834.41

Photometric Results

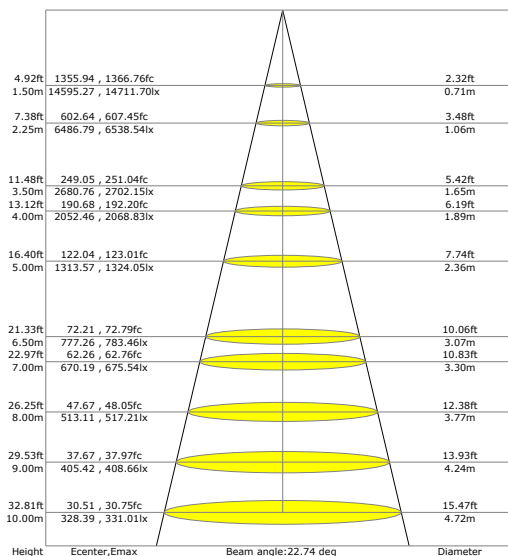
CIE Class: Direct
 Luminaire Luminous Flux: 6834.412
 Downward Ratio: 100.00%
 Luminaire Efficacy Rating(LER): 74.52 lm/W
 Beam Angle(50%Imax): L=-11.57 R=11.17
 Field Angle(10%Imax): L=-23.73 R=22.41

Max. Intensity: 33101.34 cd
 Max.Intensity Angle: C=0 Gamma=1
 Upward Ratio: 0.00%
 Efficacy: 100.00%
 Center Intensity: 32839.36 cd

Luminous Intensity Distribution Curve



LX-DISTANCE DIAGRAM



LED Flood Light

LSL Series



Distribution Diagram

36W Blue - SKU #151334

LUMINAIRE PHOTOMETRIC TEST REPORT

Luminaire Property

Manufacturer:
 Luminaire Type: WN-FL02-SQ03 Blue
 Lamp Type:
 Luminous Width: 0 mm
 Luminous Length: 0 mm
 Luminous Height: 0 mm

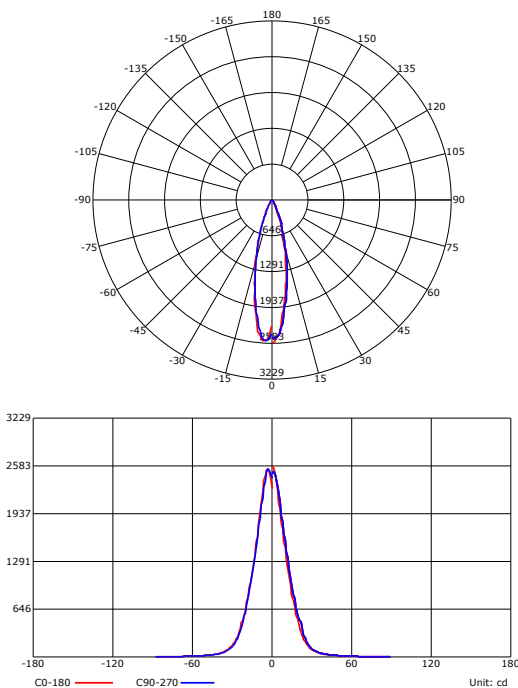
Voltage(V): 219.60 V
 Current(A): 0.1800 A
 Power(W): 37.74 W
 Power Factor: 0.9500
 Lamp Luminous Flux: 636.37

Photometric Results

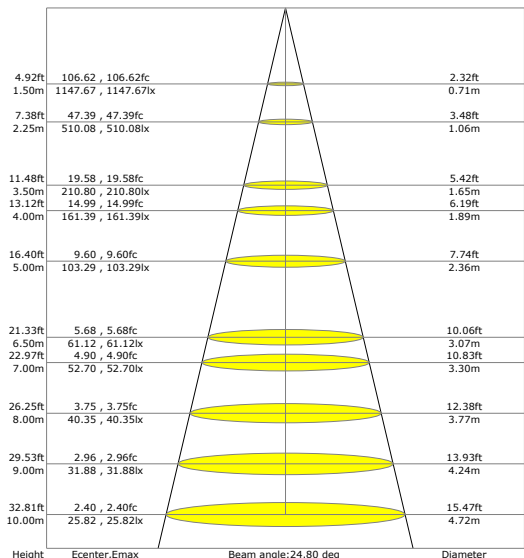
CIE Class: Direct
 Luminaire Luminous Flux: 636.3719
 Downward Ratio: 100.00%
 Luminaire Efficacy Rating(LER): 16.86 lm/W
 Beam Angle(50%Imax): L=-12.61 R=12.19
 Field Angle(10%Imax): L=-25.36 R=24.38

Max. Intensity: 2582.26 cd
 Max.Intensity Angle: C=0 Gamma=0
 Upward Ratio: 0.00%
 Efficacy: 100.00%
 Center Intensity: 2582.26 cd

Luminous Intensity Distribution Curve



LX-DISTANCE DIAGRAM



LED Flood Light

LSL Series

Distribution Diagram



100W Blue - SKU #151333

LUMINAIRE PHOTOMETRIC TEST REPORT

Luminaire Property

Manufacturer:
 Luminaire Type: WN-FL07-01 Blue
 Lamp Type:
 Luminous Width: 0 mm
 Luminous Length: 0 mm
 Luminous Height: 0 mm

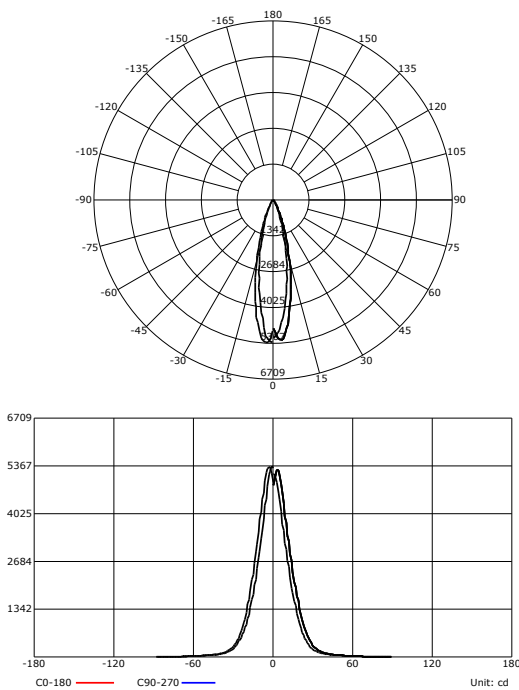
Voltage(V): 219.99 V
 Current(A): 0.3750 A
 Power(W): 80.89 W
 Power Factor: 0.9790
 Lamp Luminous Flux: 1318.41

Photometric Results

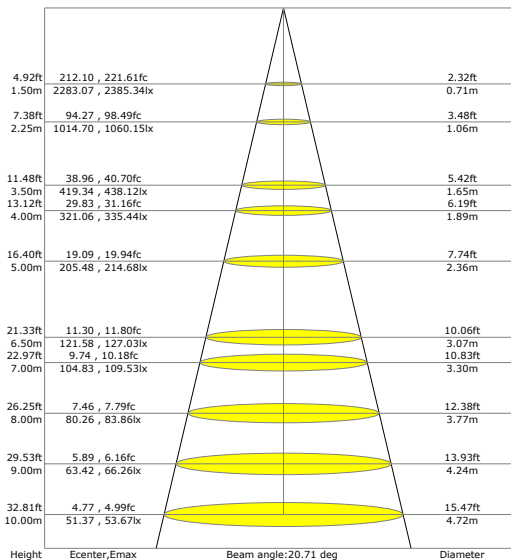
CIE Class: Direct
 Luminaire Luminous Flux: 1318.405
 Downward Ratio: 100.00%
 Luminaire Efficacy Rating(LER): 16.30 lm/W
 Beam Angle(50%Imax): L=-9.52 R=11.19
 Field Angle(10%Imax): L=-22.39 R=23.72

Max. Intensity: 5367.02 cd
 Max.Intensity Angle: C=135 Gamma=
 Upward Ratio: 0.00%
 Efficacy: 100.00%
 Center Intensity: 5136.90 cd

Luminous Intensity Distribution Curve



LX-DISTANCE DIAGRAM



LED Flood Light

LSL Series

Installation - 36W



I .Feature:

Quality aviation die-casting Aluminium, Polishing, Nano electrostatic spraying, large plate tough heat dissipation design, ensure long life span in the bad environment. With tempered glass and silicon sealed IP65 design, water proof, cross-ion proof, used in rainy and cold area.

II .Attention:

- 1.Make sure that the voltage is within the permissible range
- 2.Switch off the power supply before installation
- 3.Keep away from the cover and do not stare at the lamp when it electrified
- 4.The luminaire should be installed by a professional electrician.
- 5.Storage temperature:-65°C~+50°C, working temperature: -30°C~+50°C, best working temperature:-0°C~+30°C
- 6.Because the luminaire includes glass accessories, please be careful when moving it.

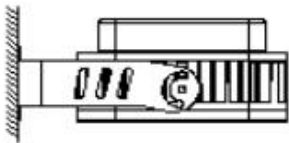
LED Flood Light

LSL Series

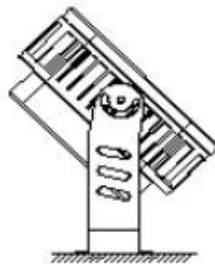
Installation - 36W

III. Installation diagram

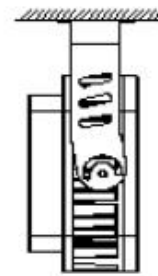
1. Available in ground-mounting, wall-mounting installation and ceiling mounting installation
2. The rotation angle of the bracket is up to 180 degrees
3. Install the floodlight onto the ground, wall, or ceiling and fix it with screw
4. Then connect it with power installation.



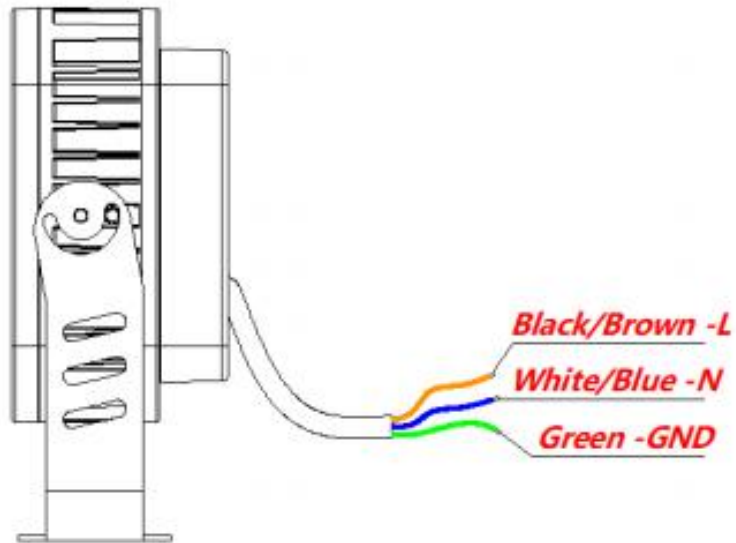
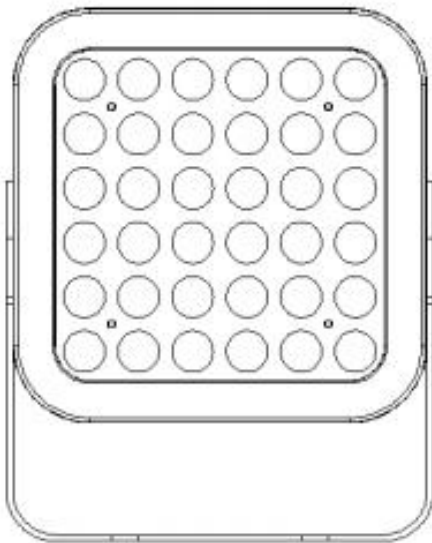
Wall mounting



Ground mounting



Ceiling mounting



IV. Maintenance

1. Before Maintain, please cut out the power.
2. Clean the luminaire glass regularly, to keep the good transmission of light.
3. Keep the luminaire heat sinker and housing clean, to make sure good heat dissipation.
4. Please not use water or corrosion liquid to clean the luminaire, better use try staff.
5. When change the power supply, use the screw driver to open the back cover, connect the wire based on the original color.

LED Flood Light

LSL Series

Installation - 100W



I .Feature:

Quality aviation die-casting Aluminium, Polishing, Nano electrostatic spraying, large plate tough heat dissipation design, ensure long life span in the bad environment. With tempered glass and silicon sealed IP65 design, water proof, cross-ion proof, used in rainy and cold area.

II .Attention:

1. Make sure that the voltage is within the permissible range
2. Switch off the power supply before installation
3. Keep away from the cover and do not stare at the lamp when it electrified
4. The luminaire should be installed by a professional electrician.
5. Storage temperature: $-65^{\circ}\text{C} \sim +50^{\circ}\text{C}$, working temperature: $-30^{\circ}\text{C} \sim +50^{\circ}\text{C}$, best working temperature: $-0^{\circ}\text{C} \sim +30^{\circ}\text{C}$
6. Because the luminaire includes glass accessories, please be careful when moving it.

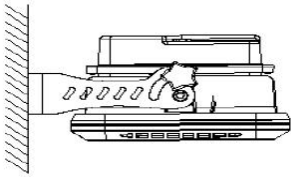
LED Flood Light

LSL Series

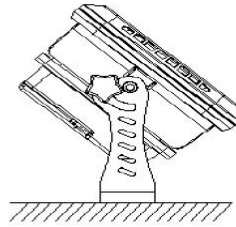
Installation - 100W

III. Installation diagram

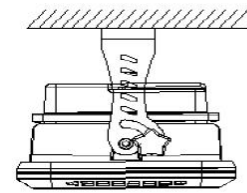
1. Available in ground-mounting, wall-mounting installation and ceiling mounting installation
2. The rotation angle of the bracket is up to 180 degrees
3. Install the floodlight onto the ground, wall, or ceiling and fix it with screw
4. Then connect it with power installation.



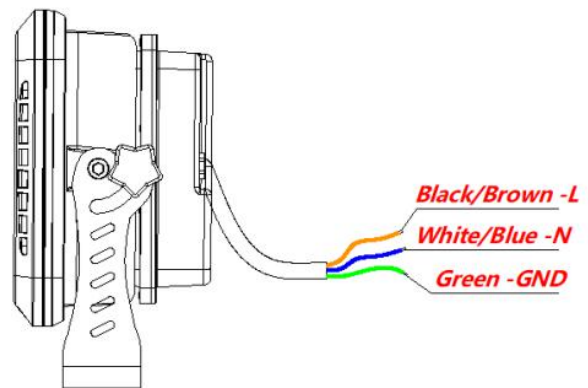
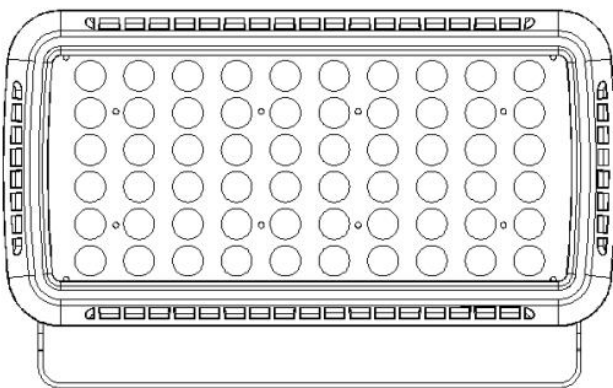
Wall mounting



Ground mounting



Ceiling mounting



IV. Maintenance

1. Before Maintain, please cut out the power.
2. Clean the luminaire glass regularly, to keep the good transmission of light.
3. Keep the luminaire heat sinker and housing clean, to make sure good heat dissipation.
4. Please not use water or corrosion liquid to clean the luminaire, better use try staff.
5. When change the power supply, use the screw driver to open the back cover, connect the wire based on the original color.

LED Flood Light

LSL Series

Packing

SKU #	Model #	Pcs/Box	Dimensions	Weight	Pallet Quantity	Pallet Weight	Pallet Dimensions
151329	BLT-FL02-SQ03	4	24" X 11" X 14"	33 Lb			
151334	BLT-FL02-SQ03	4	24" X 11" X 14"	33 Lb			
151350	BLT-FL02-SQ03	4	24" X 11" X 14"	33 Lb			
151351	BLT-FL02-SQ03	4	24" X 11" X 14"	33 Lb			
151330	BLT-FL07-01	1	18" X 12" X 7"	16 Lb			
151331	BLT-FL07-01	1	18" X 12" X 7"	16 Lb			
151332	BLT-FL07-01	1	18" X 12" X 7"	16 Lb			
151333	BLT-FL07-01	1	18" X 12" X 7"	16 Lb			



LED FLOOD LIGHT

LED Flood Light

LSL Series

Application



LED FLOOD LIGHT

(866) 786-1117 • www.BeyondLEDTechnology.com

Due to continuous product improvement, information in this document is subject to change.