



AgKNX HP21 Earth Auger

OPERATOR'S MANUAL

**Return
WARRANTY REGISTRATION
(p. 21) within 15 days of
receiving this manual.**



READ AND UNDERSTAND ALL PARTS OF THIS MANUAL BEFORE USING THIS PRODUCT. BE ALERT TO ALL SAFETY WARNINGS DENOTED BY THE ABOVE SYMBOL. FAILURE TO OBEY SAFE PRACTICES CAN RESULT IN **DEATH, DISMEMBERMENT AND OTHER SERIOUS INJURY.**

Table of Contents

ABOUT THIS MANUAL	3
SAFETY	4
SAFETY DECALS	6
SPECIFICATIONS	7
ASSEMBLY	8
REMOVAL & STORAGE	12
MAINTENANCE	13
OPERATION	10
REMOVAL / MAINTENANCE	13
TROUBLESHOOTING	15

Dear Owner/Operator,

Thank you for choosing to partner AgKNX, our brand of high quality agricultural and industrial equipment based in Golden, Colorado.

We are proud to supply HP21 Earth Auger as our original hydraulic skid steer digger that has been rigorously tested and vetted by experienced engineers and operators alike.

We support our products and our customers, so if you have any questions or comments please contact us.

Thank you and happy digging!

READ THIS MANUAL ENTIRELY BEFORE USING YOUR EARTH AUGER!

If you have any questions about anything in this manual, contact us before using the earth auger. This equipment can be extremely dangerous if not handled properly.

Warranty

To activate your warranty, complete the registration form on the last page of this manual or register online. Please read and understand the terms of the warranty. Unauthorized modifications of equipment and improper use void the warranty.

Safety

This manual, and the equipment itself, follows a safety code system as follows:

⚠ DANGER	“Danger” indicates situations that if not properly handled will result in death or dismemberment.
⚠ WARNING	“Warning” indicates situations that could result in serious injury or death if proper precautions are not followed.
⚠ CAUTION	“Caution” indications situations that could result in injury, or cautions operator against safety hazards.
<u>NOTE</u>	“Note” indicates important information that is not necessarily a safety issue but is important to maintaining equipment.

All operators, whether owners or not, must have:

- Read and understood the manual
- Understands how to use the auger, the skid steer and safety precautions

⚠ DANGER

Most injuries result from carelessness or unfamiliarity with the equipment, not from equipment failure or random accidents. Thus, **by being alert and understanding safe practices we can eliminate almost all injuries.**

Read the following list of key practices that reduce the danger of being injured or terminated by this machine.

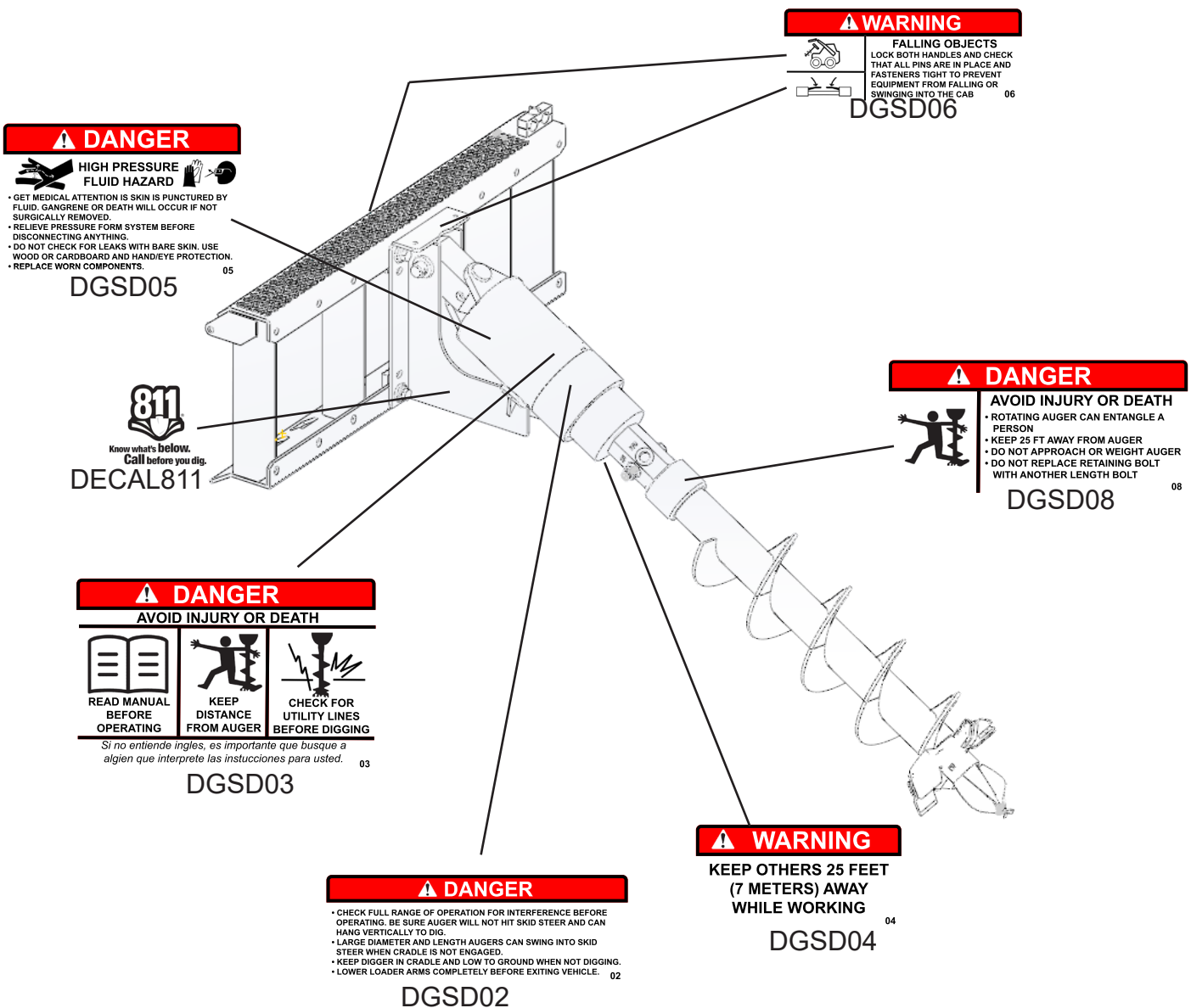
- **Entanglement Risk:** rotating machinery can pull a person in and cause death and dismemberment. It is especially important to keep loose clothing, body parts and hair away from rotating machinery.
An important risk mitigation is to ensure the proper auger retaining bolt is used. A retaining bolt that is too long poses a serious entanglement hazard. If you lose the proper retaining bolt, contact AgKNX for a new one.
Keep hands, feet, jewelry, hair and clothing away from equipment.
- **One Person Use:** this auger is to be operated from the drivers seat of the skid steer and no where else. No one else should be within 25 ft of the auger. Do not let anyone near the auger while in operation. Do NOT try to weight the digger during operation to make it dig faster, people have been maimed, disemboweled and killed by entanglement from attempting this.
- Operator must be trained and competent in skid steer operation. Do NOT let children operate the machine. Do NOT allow any riders on the equipment. Operator should wear personal protection equipment including hard hat, safety glasses, safety shoes, and gloves.
- Do NOT operate under the influence of alcohol, drugs, or certain prescription medication, as this will hinder your alertness and coordination and can lead to disaster. Consult your doctor regarding prescription medications and operating machinery.
- Do NOT operate while distracted by electronics, radio, headphones or anything distracting occurring in your field of vision. Operation requires full attention.
- Learn the proper attachment and removal process as described in this manual. Be sure all pins are in place and latches are locked to skid steer before transporting or using.

- Safety Decals: make sure all are present as described in the manual, and read all before using.
- Pressurized hydraulic systems are dangerous. Hydraulic oil leaks can be invisible, puncture the skin, and inject fluid, causing infection, poisoning and death. Use wood or cardboard to check for leaks, and wear hand and eye protection. If fluid is injected into your skin get medical attention immediately.
- Call 811 before digging to determine if there are gas or electrical lines in the area you're digging. If the auger hits a gas line it can cause an explosion; contact with an electrical line can cause electrocution.
- Check clearances between equipment, skid steer, and operator. Check that as the loader arms go up and down, the auger will not interfere or collide with skid steer or operator. NEVER put any part of your body in the path of movement of equipment.
- Use two or more people to handle heavy components during assembly, removal or service or any type.
- Only handle components with skid steer powered down, loader arms completely lowered, and pressure relieved .
- Transport only with auger in cradle and not rotating.
- Beware of instability that may be caused by weight of auger while driving skid steer. Use slow speeds, avoid side hills or steep angles. See skid steer manual for incline maximums. Always use seat belt.
- When on uneven terrain, position the auger UPHILL from the skid steer. Doing otherwise could tip and roll the skid steer when pulling up the auger.
- Before dismounting skid steer: lower arms completely, shut down engine, relieve hydraulic pressure. Do not leave a running skid steer unattended.
- Keep out from under equipment supported by hydraulics, as leaks, burst lines actuated valves can cause heavy equipment to suddenly drop.
- Store on a level surface.
- Replace worn teeth as they will severely hinder performance. Do not modify equipment. Only use parts that meet OEM specifications.

Before each use make sure all safety decals are in place and in readable condition, as described below.

These decals are important to alert the user to safety hazards and keep the user in tune to proper use.

If a decal is missing or not readable, contact AgKNX for a new one. Clean surfaces prior to applying new labels.



These specifications are for continuous operation.

Hydraulic Flow Rate	12 - 21 GPM
Maximum Operating Pressure	3050 psi
Maximum Torque	1980
Planetary Reduction Ratio	3.67:1
Max RPM	97
Output Shaft	2" Hex
Max Auger Diameter	24"

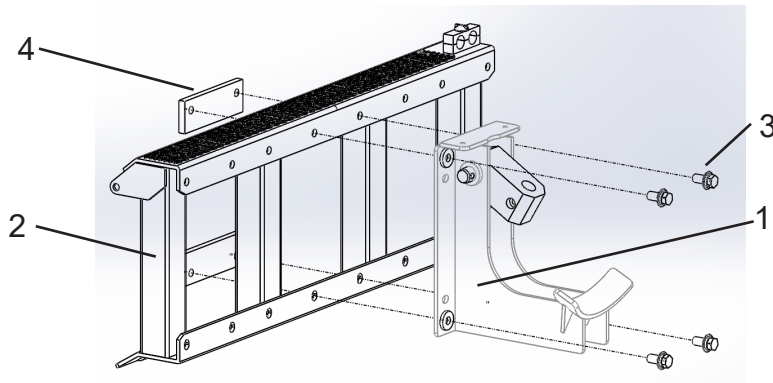
Hydraulic System

NOTE: Clean hydraulic oil is key to the life of hydraulic componenets. Contamination can easily occure when dirt or debris gets in a fitting or hose, and it does not take much contamination to cause motor wear.

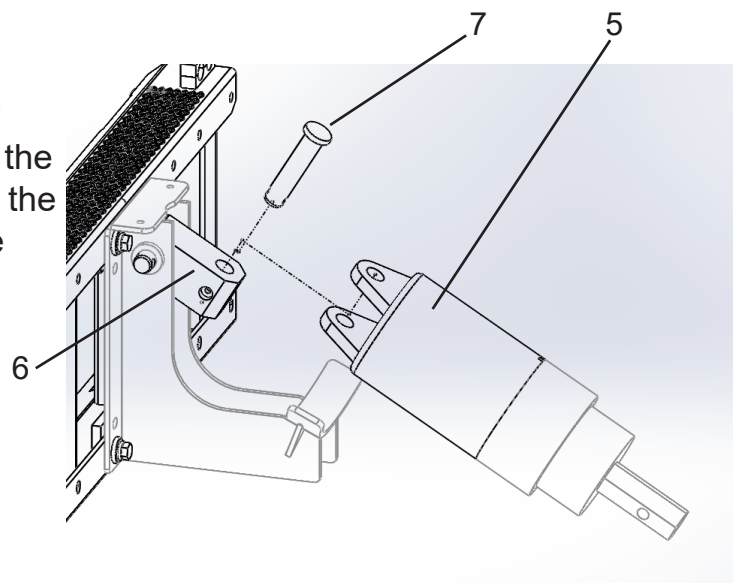
- Pressure: The system is designed to run between 2000 and 3050 psi. Too low of a pressure will inhibit performance, too high of a pressre could cause equipment damage and possibly lead to injury.
- Volume: This system works best with at least 12 gallons per minute flow, and is rate for continuous use up to 21 GPM.
- Hoses & Fittings: Hoses and fittings should be of at least 1/2" nominal inside diameter. Our hose kit is 5/8" inside diameter to lessen resistance. Hoses must be rated for a greater pressure than the skid steer outputs.
- Hydraulic Fluid: Use premium petroleum based fluids with anti-wear, anti-foaming agents, rust inhibitors, oxidation inhibitors. Viscosity should never be below ISO 22. We recommend ISO 32 or 46.
- Use a filter of 25 microns or finer in the hydraulic circuit.

Review the diagram below and be sure you have all components and fasteners.

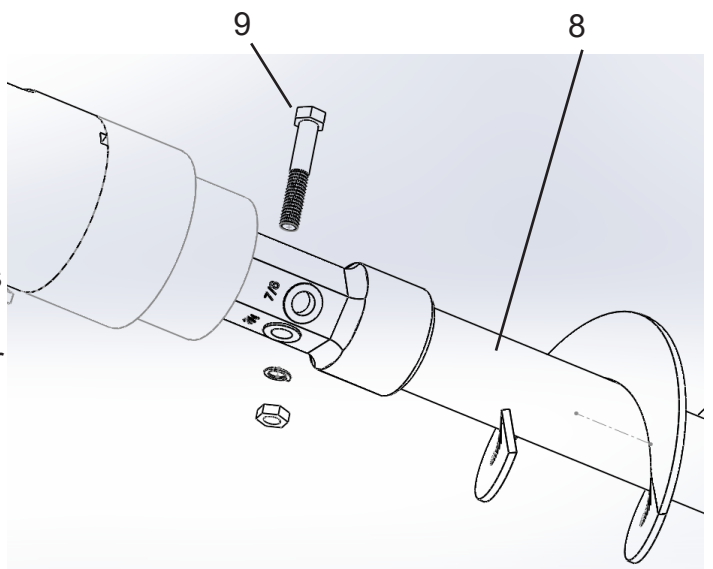
1. Attach the drive cradle (1) to the mount frame (2) with bolts (3) and plates (4).



2. This step is best done with **two or more people**, as it requires maneuvering heavy components. Attach the auger drive (5) to the clevis bracket (6) of the drive cradle using the pin (7) and lock pin that came on the drive cradle.



3. This step is best done with **two or more people**, as it requires maneuvering heavy components. Line up the auger (8) with the hex drive shaft. To align the shaft and collar may require lifting the auger drive slightly. Slide the auger onto the shaft with the holes aligned, and use the provided bolt (9) to keep the auger attached. This is not a shear bolt, as the hex design transfers torque, it is to keep the auger on the drive, and **it is important to use the provided bolt as it is a special length designed to minimize the chance of entanglement.**



4. Attach the assembled auger to the skid steer as you would with other skid steer attachments. **Be sure to lock the skid steer mounts onto the frame, serious injury or death can result if the frame comes off the skid steer mounts, which will happen if it is not locked in place.**
5. Attach the hydraulic hoses to the auger drive, and once securely tightened on the auger drive run the hoses through the dual hose clamp on the top of the mount frame. With the hoses secured in the dual hose clamp, you can connect them to the skid steer via the flush-face quick connect fittings. Our augers come with 1/2" ISO 16025 Fittings, one male, one female. Check the fittings on your skid steer to make sure they match.

NOTE: Keep fittings clean, and be sure the fittings on both hoses and skid steer are clean prior to connecting. Debris and dirt on the fittings will prematurely wear hydraulic components.

⚠️ WARNING

It is important to ensure that hydraulic system pressure has been relieved prior to connecting or disconnecting hydraulic fittings. Shut down the engine and cycled hydraulic controls to relieve pressure. When disconnecting a quick connect fitting, push the hose fitting into the skid steer fitting, hold it for a couple seconds (allows pressure to equalize), then move the collar on the female fitting away from the connection point to release the male fitting.

6. Once the hoses are connected, enter the skid steer with the load arms fully down (do not go under raised load arms to enter a skid steer). From the operator seat, slowly raise the lift arms, watching to ensure the hoses move freely, do not get caught, and have enough length to cover the full range of operating motion. Take care to route hoses so that they will not be pinched or stretched.
7. Before operating the auger, use a safe method to check the hydraulic system for leaks. Protect yourself by wearing gloves and glasses, and use wood or cardboard to find leaks.

⚠️ WARNING

Pin hole leaks in a hydraulic system can be invisible to the eye and can penetrate the skin. Hydraulic oil in the skin causes gangrene, blood poisoning and death. Always wear gloves and glasses and use wood or cardboard, not your bare hands or eyesight, to find leaks. If hydraulic oil penetrates your skin get medical attention immediately.

⚠ DANGER

Gas lines and electrical lines can run in unexpected places. Contacting a gas or electrical line with an auger can result in an explosion or electrical shock that can cause serious injury or death. **Call 811 and/or local utility companies to locate underground utilities. Do not dig near utility lines.**

⚠ DANGER

Earth augers can send debris flying through the air. The only person within 25 feet of the auger during operation should be the operator, who should be within the sole seat of the skid steer. It is the responsibility of the operator to ensure that bystanders are 25 feet away. Do not allow anyone to try to assist digging or to ride on the skid steer or attached equipment.

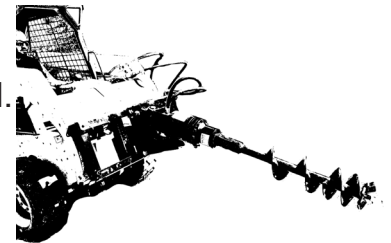
⚠ WARNING

Large diameter earth augers can come dangerously close to the operator when the loader arms are raised. Check the travel of the auger and limit it with the cradle. Be careful not to let the auger swing in towards you as you operate.

⚠ WARNING

When moving the skid steer:

- Keep the auger lifted up in the cradle to avoid it swinging around.
- Do not spin the auger while moving the skid steer.



⚠ WARNING

Before operating the skid steer, double check that the skid steer is locked onto the auger frame, that all bolts are tight, nuts and lock washers are in place, all pins are secured, and hoses are secured and connected. If the frame is not latched onto the skid steer attachment plates, it will come off when you start digging and could fall onto you in the operators seat.

Preparing to dig:

1. Inspect the area(s) in which you plan to dig. Call 811 or local utility companies to locate any utility lines. Clear the area of obstacles and objects that could become entangled or thrown by the auger. Check for uneven ground, ditches or obstacles that could cause the skid steer to become stuck or roll. Mark any objects that cannot be moved so you are aware of them while operating.
2. Decide the locations of your holes and mark them in a way that you can easily identify when in the operators seat.

3. Tip the auger up so it rests in the cradle while moving toward your hole location. Do not spin the auger during transport.
4. After the hole location has been approached, with the loader arms sufficiently raised, tip the mount plate forward so the auger hangs freely. Do not dig with the auger against the cradle; the auger needs the freedom to move in any direction should it hit a hard object.
5. Lower the auger slowly, while not rotating, until the auger tip has bit into the ground. Do not power the auger yet.
6. With the auger's weight on the ground, adjust the position of the skid steer if necessary to ensure the auger is aligned vertically.

⚠ DANGER

Only position the auger by maneuvering the skid steer from the operators seat. **DO NOT** try to position the auger by hand or with tools. Keep any person away from the auger and drive.

7. The hydraulic control has three positions. Neutral in the center, and opposing directions on each side of neutral. Determine the control position that rotates the auger clockwise (from above) allowing the auger to dig in and remove ground from the hole.

NOTE: The flow rate and pressure supplied by the skid steer should not exceed the limits of the auger drive, as given in the Specifications section. The minimums specified there should also be met or performance may be unsatisfactory.

Digging the hole:

1. Ease down the loader arms, allowing the auger to dig into the ground. Do not use excessive down pressure as this will cause the auger to frequently stall. Only use enough down pressure to allow the auger to continuously dig.

NOTE: If the auger becomes stuck, do not simply pull the auger up. Instead, reverse the rotation as to unscrew the auger, and slowly lift while rotating in reverse.

⚠ WARNING

If the auger retaining bolt breaks it is an indication of excess pressure being used to dig. Contact AgKNX for a new bolt as the bolt length is important; a bolt that is too long causes an entanglement hazard.

2. After every 2 feet of penetration, raise the auger by raising the loader arms (not tilting

the attachment plate) to clear the dirt out of the hole. You can give the auger a spin when above ground to help the dirt fly off of the auger. Repeat this every 2 feet until your desired depth is reached.

⚠️ WARNING

Do not approach a rotating auger to clean it. Shovels can be caught and thrown by an auger, and limbs can be entangled. Keep clear of active augers.

3. When the auger reaches the desired depth, allow it to rotate for a couple seconds at that depth before pulling it out to clean out the hole.
4. Raise the auger from the hole. For heavy soil conditions, you can slowly rotate the auger while lifting.
5. With the auger removed from the hole, quickly rotate it to clear it of dirt. If the hole is not sufficiently clean, repeat steps 10-12.
6. When finished with a hole, deactivate rotation and hold the auger and drive in the cradle during transport.
7. When finished digging, inspect the equipment and follow the Removal & Storage procedures.

NOTE: Worn auger tip and teeth can severely reduce the efficiency of the auger and end up causing excessive wear on the rest of the system. It is highly recommended to keep spare parts on hand so you can replace worn parts as soon as they are noticed.

1. CLEAN all dirt and debris from the auger, auger drive and frame before storage to prevent corrosion and potential contamination of hydraulic components.
2. Lower the auger onto a flat surface, in a place that it will not be an obstacle to persons or vehicles.
3. Relieve pressure from hydraulic lines and disconnect the hoses from the skid steer's auxiliary hydraulic ports.

⚠ WARNING

Hydraulic systems may still hold pressure after shut down of the skid steer, this pressure could cause injury while disconnecting hoses. Cycle all hydraulic controls to equalize and dissipate pressure prior to disconnecting hoses.

4. Connect the ends of the hoses to help avoid debris from contaminating the connections. If you are storing in an area prone to dust, cover all hydraulic components to prevent them from getting dusty.
5. Remove the digger frame from the skid steer following the recommended procedure in your skid steer manual.

⚠ CAUTION

Two or more people may be needed to maneuver the auger parts or change/remove auger bits.

6. Inspect the auger for loose bolts, missing pins, damaged or worn parts, and abrasions to the hoses. Inspect the safety decals and replace if worn or lost.

These maintenance recommendations will help prevent damage and injury and will extend the life of your equipment.

⚠️ WARNING

Modifications of the implement will void the warranty and can cause safety hazards and premature wear and damage to the machine.

Before each use:

- Inspect for the following wear:
 - worn auger bit teeth
 - cracked welds
 - loose bolts
 - worn safety decals
- Check hydraulic system for leaks

⚠️ DANGER

Pin hole leaks in a hydraulic system can be invisible to the eye and can penetrate the skin. Hydraulic oil in the skin causes gangrene, blood poisoning and death. Always wear gloves and glasses and use wood or cardboard, not your bare hands or eyesight, to find leaks. If hydraulic oil penetrates your skin get medical attention immediately.

- Check gear oil level in planetary gearbox
 - angle the drive unit 30 degrees off vertical
 - orient the drive such that a fill port is facing upward (still 30 deg off vertical)
 - open the upward fill port
 - at 30 degrees off vertical, the oil level should be at the bottom of the fill port
 - check for debris in the hydraulic oil. replace if there is debris.
 - if gear oil is needed, use 85W-140 gear oil

Each time an auger bit or extension is attached

- Coat the inside of the auger collar with grease to minimize friction wear from digging

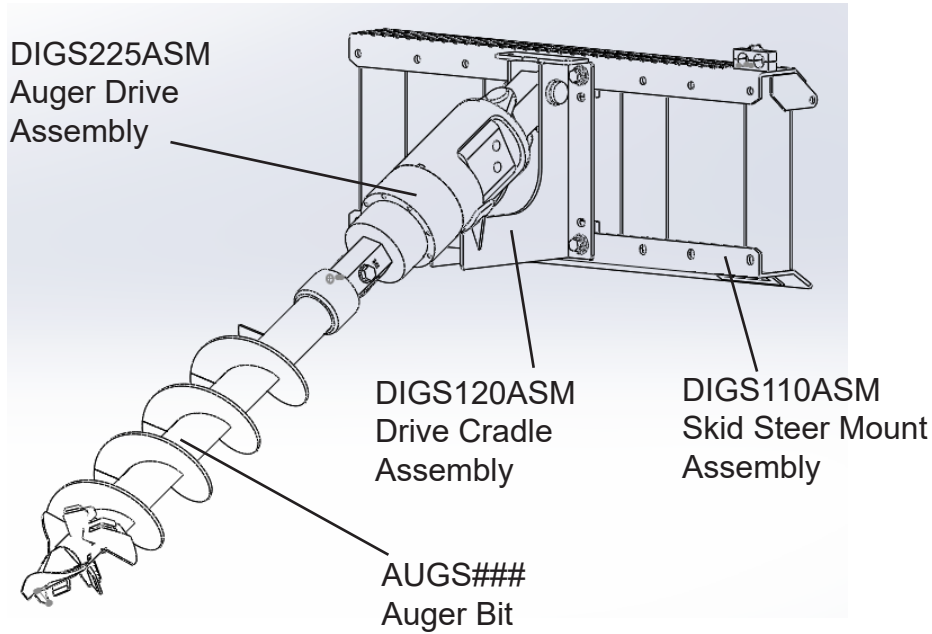
After first 500 hrs or first 6 months of use (whichever comes first)

- Fully change gear oil in planetary gearbox. Replace with heavy duty, extreme pressure APLI-GL-5 85W-140 lubricant.

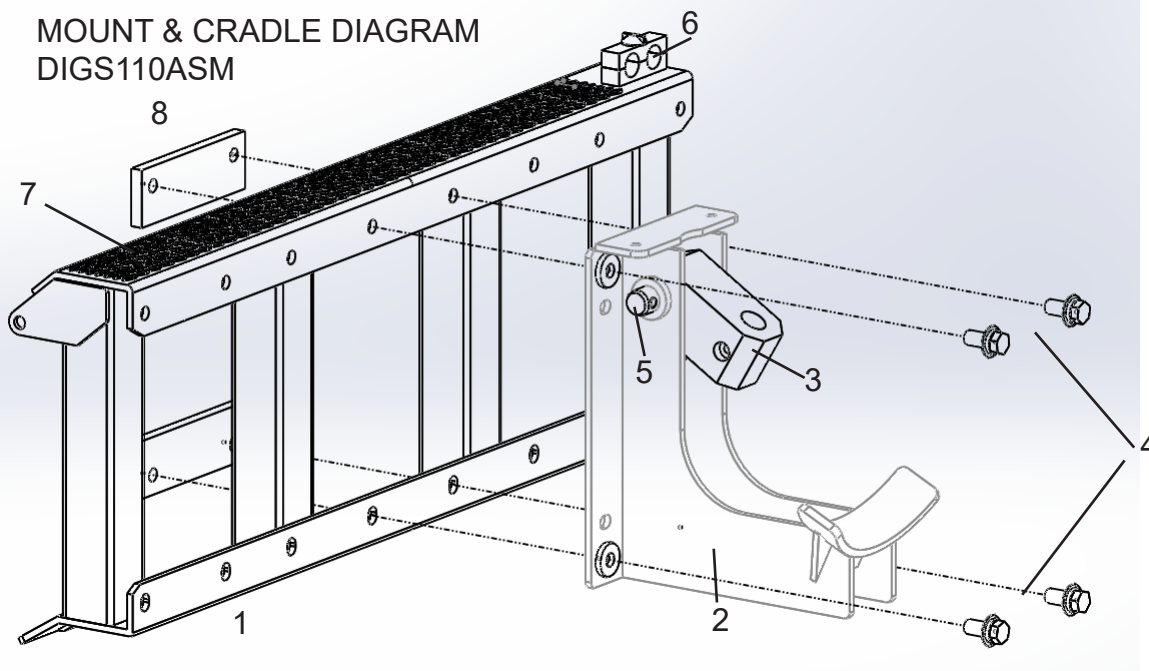
Every 2000 hrs or 12 months of use (whichever comes first)

- Fully change gear oil in planetary gearbox. Replace with heavy duty, extreme pressure APLI-GL-5 85W-140 lubricant.

Issue	Cause	Solution
Slow Rotation of Auger	Low fluid flow rate	Use a flow meter to check the flow at the end of the hoses. If the flow is low, there could be an obstruction in the system or the main hydraulic motor could be failing
	Fittings or hoses are too small	This is a flow restriction. Size up small fittings and hoses.
	Restrictions in lines	Clear system of kinks, debris or other restrictions
	Debris in oil and/or oil filter	Change skid steer oil and oil filter
Auger Not Digging	Slow speed or low torque	See above
	Worn teeth or point	Replace teeth and/ or point
	Wrong auger application	If ground is too hard going from dirt to rock auger with carbide teeth may be necessary
	Low system PSI	Use a pressure gauge to determine if the auger drive is getting necessary pressure
Oil Leaks	Fittings	Tighten or replace damaged fittings
	Hoses	Tighten or replace damaged hoses
	Motor seals	If the motor seals are worn and leaking oil, the motor will have to be rebuilt with new seals.
Oil Temperature Overheating	Low oil level	Check oil reservoir and fill if necessary
	Wrong oil viscosity	Check skid steer oil requirements and fill with proper oil weight
	Dirty oil and/or oil filter	Replace oil and oil filter
	Improper hose or fitting size	Check hose size against recommended size for a given auger drive
	Restriction in system	Check for damaged or kinked hoses and fittings and low flow and pressure
Hydraulic Hose or Fitting Failure	Relief pressure set too high	Check drive unit specs and do not exceed maximum pressure
	Hoses/fittings worn or damaged	Replace
	Incorrect Hoses	Make sure hose's pressure rating meets or exceeds maximum pressure of auger system
	Hoses pinched	Reroute hoses, use hose clamp attached to top of auger drive mount frame

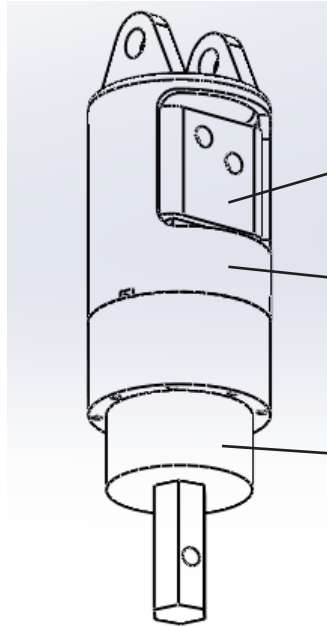


MOUNT & CRADLE DIAGRAM
DIGS110ASM



1	DIGS110ASM	SKID STEER MOUNT FRAME ASSEMBLY
2	DIGS120ASM	DRIVE CRADLE ASSEMBLY
3	DIGS127SB	MOTORBOX MOUNT - SWIVEL BRACKET
4	DIGS119BA	SKID MOUNT - MOUNT BOLT ASSEMBLY (4 sets)
5	DIGS128SBP	MOTORBOX MOUNT - SWIVEL BRACKET PIN
6	DIGS4HBASM	DUAL HOSE CLAMP ASSEMBLY
7	DIGS1135EMT	SKID MOUNT - TRACTION STRIP
8	DIGS117MP	SKID MOUNT - MOUNT PLATE (2 needed)

AUGER DRIVE
ASSEMBLY
DIGS225ASM
2" Hex Drive

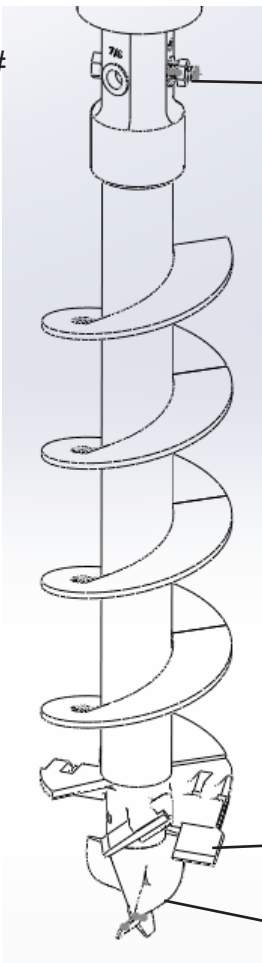


DIGS160M
Hydraulic Motor

DIGS131CCS
Cast Casing for
Motorbox

DIGS200ASM
Planetary Reduction
Gearbox

AUGER
AUGS###



AUGS171BA
RETAINING
BOLT
ASSEMBLY

TEETH

TIP

All augers have a 2" Hex Drive Collar

Earth Augers	6"	AUGS006
• 6mm Flighting	9"	AUGS009
• Flat Teeth	12"	AUGS012
• Fishtail Pilot Tip	15"	AUGS015
	18"	AUGS018
Rock Augers	6"	AUGS106
• 10mm Flighting	9"	AUGS109
• Carbide Bullet Teeth	12"	AUGS112
• 4 Tooth Rock Pilot	15"	AUGS115
	18"	AUGS118

3-Point Augers can also be used with a Hex to 2" Round adaptor. See our line of 3-point tractor digger augers bits.

AUGER TEETH & TIPS



40/50



35C



C35



C21



C21H

Application	Part Option	Part Number
Flat Teeth	40/50 Wisdom Tooth	AUGS4050
	35C Wisdom Tooth	AUGS35C
	C35 Outside Gage Tooth	AUGSC35
Bullet Teeth	C21 Tooth	AUGSC21
	C21H Tooth	AUGSC21H
Dirt Tips	Fishtail Pilot	AUGSFTDP
Rock Tips	4 Tooth Rock Pilot	AUGS4TRP



FTDP

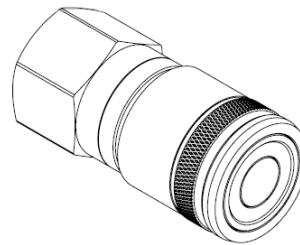


4TRP

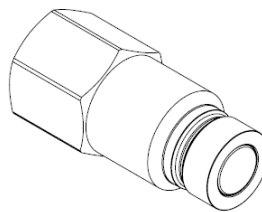
HYDRAULIC HOSES



DIGS4HH
Hose Kit w/
ISO Fittings
5/8" ID



HFFF4FXNPT8F
ISO 16026 Flat Face
Female



HFFF4MXNPT8F
ISO 16026 Flat Face
Male

AUGER EXTENSIONS



Heavy Duty 3.5" Tubing
2" Hex each end

48" Extension AUGS48E

60" Extension AUGS60E



AgKNX warrants its products, under normal use and maintenance, to be free from defects in material and workmanship as specified below from the purchase date.

You must return this warranty page with the purchase date for the warranty to be effective. Warranty Period begins on the purchase date specified on this warranty page. Keep a copy for your records.

Warranty: 1 Year parts warranty usable by original purchaser.

1. During the applicable warranty period, AgKNX will provide replacement parts determined to be defective.
2. Parts may not be returned without written authorization from AgKNX.
3. Some components are subject to the inspection and warranty of the contracted manufacturer. Delays in a warranty determination can be expected while AgKNX awaits their decision.
4. This warranty is void if any attempt is made to make field repairs to hydraulic motors or planetary gears.
5. To make a claim under this warranty, first contact dealer purchase from, if applicable. The Warranty Claim Form must be completed and submitted. If parts must be returned, written authorization from AgKNX must be obtained. All warranty claims must include detailed information regarding make and model of vehicle on which the AgKNX product was mounted, hours of use, fluids used and hours of use of fluids, description of events that led up to the failure, and any other information helpful in reviewing the warranty claim.
6. All warranty returns (if applicable) must be prepaid. The freight charge will be credited if the parts are determined to be defective.
NOTE: Hydraulic motors must arrive with all ports sealed from dirt and moisture. If a motor arrives with open ports, the warranty is void and no inspection will be made.
7. Products that show wear from normal use, have been improperly operated, damaged by accident or negligence, field repaired, altered or modified are not considered defective in material and workmanship and are not covered by this warranty.
8. This warranty does not apply to parts subject to normal wear ("Wear Items" include auger teeth, auger tip, hydraulic hoses, certain seals fittings, bolts, pins, and more) or to damage caused by the failure to perform recommended maintenance or to replace worn parts.
9. This warranty shall not obligate AgKNX to bear any cost of labor for field repair, replacement, testing, or adjustment nor for damage caused by accident, abuse, misuse, or environmental elements.
10. Parts repaired or replaced are covered by this warranty only for the remainder of the original warranty.
11. AgKNX may change its specifications and designs at any time.
12. Any information found to be dishonest in the claim file will void warranty.

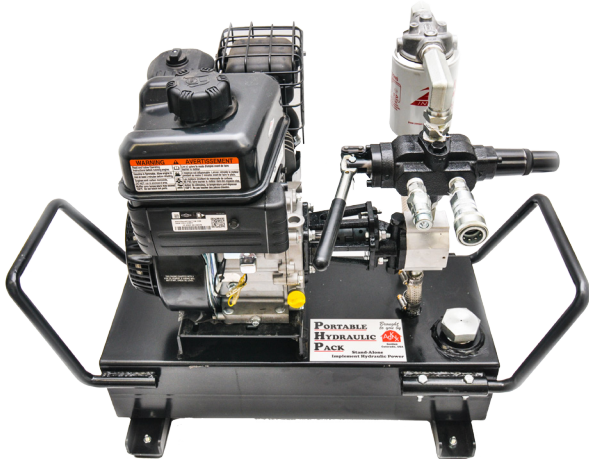
This warranty is exclusive. It does not extend beyond the duration specified. No employee, dealer, salesman, or representative is authorized to change this warranty in any way or grant any other warranty. AgKNX shall not be liable for any consequential, incidental, or punitive damages, losses, or expenses, including those resulting from or caused by any defects.



Quick Hitches
Categories: 1, 2, 2 HD, 3, 3 Narrow, 2/3



3-Point Post Hole Diggers
Category 0, 1, 2 sizes available



Portable Hydraulic Power Packs



Hydraulic Tanks
5, 15, 25 gallon options



PTO Drivelines and accessories



Hydraulic Cylinders, pumps,
valves and more

*We carry all this and much more!
Contact us for details.*

HP21 Earth Auger

WARRANTY REGISTRATION

WARRANTY VOID IF REGISTRATION IS NOT MAILED WITHIN 15 DAYS OF RECEIVING ITEM.

Fill out this page and mail to the address below.

HP21 Auger Serial Number (located on hydraulic drive) _____ 225 _____

Purchase Date ____ / ____ / _____

Purchased From: Purchaser: _____

Owner's Name & Address: _____

City: ST: Zip Code: _____

Phone: _____ Email: _____

Attach a Copy of Proof of Purchase

Acceptance of responsibility: All items must be truthfully marked for warranty

I (Purchaser) have read operators manual and Limited Warranty or someone has read/and explained all instructions to me.

I understand this warranty does not cover any labor and that all disputes will be settled by binding arbitration.

Warranty void if any attempt to repair or replace defective parts has been made by unauthorized personnel.

I have received my Owner's Manual and fully understand the stipulations.

I understand that I alone am responsible for proper maintenance, care and safe operation of this Hydraulic Digger.

Received and read or will read prior to use the safety warnings

Specifications accepted

Controls understood

Maintenance Requirements understood

Storage of Digger

I (purchaser) also understand that persons not familiar with the operation of this equipment should not be allowed to use it.

Children especially should not operate or be near equipment.

ANYONE OPERATING EQUIPMENT SHOULD HAVE READ ALL EQUIPMENT OPERATIONS MANUALS AND SAFETY MANUALS.

Is this Post Hole Digger used in a business

NO YES, If yes, business type: _____

Owners Signature: _____ Date: ____ / ____ / ____

It is recommended that a copy of the registration be given to the seller.

You must sign this warranty and mail copy to

AgKNX, 15000 W 44th Avenue Suite B.

Golden, CO, 80403.

NOTE: The Manufacturer may refuse warranty of any kind unless AgKNX receives a completed, legible and signed warranty registration. It is the responsibility of the purchaser to assure that this

Send warranty registration to

AgKNX
15000 W 44th Ave Ste B
Golden CO 80403

within 15 days of purchase

HP21 Earth Auger

WARRANTY CLAIM FORM

AgKNX
15000 W 44TH AVE STE B
GOLDEN, CO 80403
303-278-0664
SALES@AGKNX.COM

PURCHASE DATE: _____

CLAIM DATE: _____

SERIAL #: _____

CUSTOMER ADDRESS & INFORMATION

TEL _____

EMAIL _____

SKID STEER INFORMATION

MAKE _____

MODEL _____

YEAR _____

GPM _____

PSI _____

HYDRAULIC FLUID _____

CLAIM INFORMATION

AUGER USED: LENGTH _____", DIAMETER _____", TYPE _____ (ROCK/DIRT)

HOURS USED _____ SOIL TYPE & CONDITION _____

SHARP AUGER TEETH AND TIP _____ (Y/N) OEM PINS & BOLTS _____ (Y/N)

HYDRAULIC PARTS SHOW NO SIGN OF WEAR _____ (Y/N)

DESCRIPTION OF DEFECT OF WORKMANSHIP: (provide details of what occurred leading to, during, and after part failure)

Requesting return for inspection of the following part(s): (include quantity, part #, description)

DEALER NAME & LOCATION

I UNDERSTAND THE WARRANTY AGREEMENT

PRINT NAME: _____

SIGNATURE: _____

If you need to file a warranty claim,
send this page to

AgKNX Warranty Claim
15000 W 44th Ave Ste B
Golden CO 80403