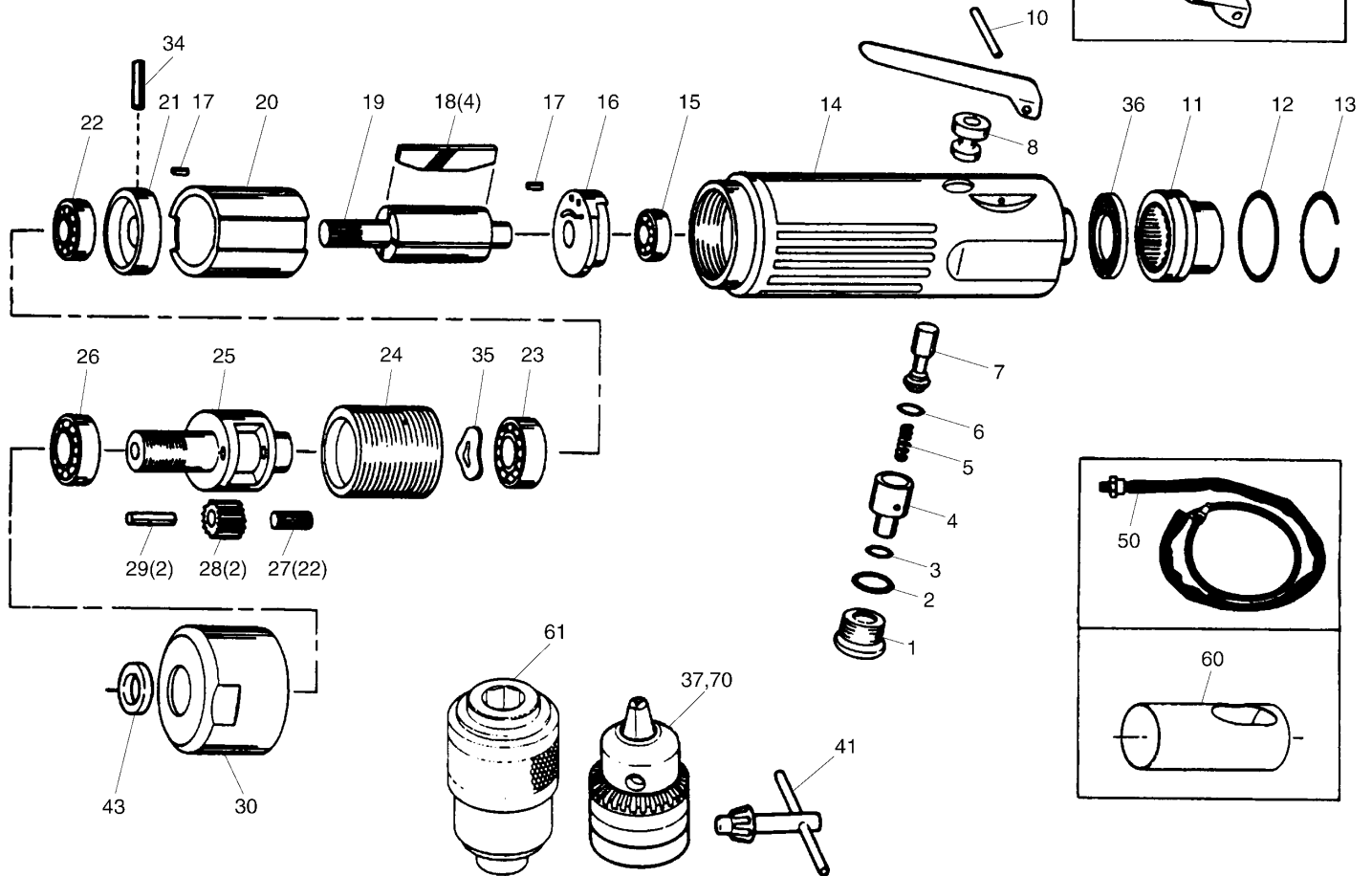


TIRE BUFFER

EXPLODED VIEW SP-1523D



PARTS LIST

Index No.	Parts No.	Description	Qty. Per tool
1	523D-01	Valve Screw	1
2	523D-02	O-Ring	1
3	523D-03	O-Ring	1
4	523D-04	Air Regulator	1
5	523D-05	Spring	1
6	523D-06	O-Ring	1
7	523D-07	Valve Stem	1
8	523D-08	Valve Bushing	1
9	523D-09	Throttle Lever	1
10	523D-10	Lever Pin	1
11	523D-11	Exhaust Sleeve	1
12	523D-12	O-Ring	1
13	523D-13	Retainer Ring	1
14	523D-14	Motor Housing Assy (Incl:8)	1
15	523D-15	Ball Bearing	1
16	523D-16	Rear End Plate	1
17	523D-17	Motor Pin	2
18	523D-18	Rotor Blade	4
19	523D-19	Rotor	1
20	523D-20	Cylinder	1
21	523D-21	Front End Plate	1
22	523D-22	Ball Bearing	1
23	523D-23	Ball Bearing	1
24	523D-24	Internal Gear	1
25	523D-25	Planet Cage	1
26	523D-26	Ball Bearing	1
27	523D-27	Needle Bearing	22
28	523D-28	Planet Gear	2
29	523D-29	Planet Pin	2

Index No.	Parts No.	Description	Qty. Per tool
30	523D-30	Housing Cap	1
34	523D-34	Roll Pin	1
35	523D-35	Wave Washer	1
36	523D-36	Muffler	1
37	523D-37	Drill Chuck	1
41	523D-41	Chuck Key	1
43	523D-43	Chuck Spacer	1
44	523D-44	Safety Lever	1
50	523D-50	Exhaust Hose Set (EXH-10)	(1)
51	523D-51	Regulator (RG-30)	(1)
60	523D-60	Housing Cover	(1)
61	523D-61	Quick Release Chuck	(1)
70	523D-70	Key Less Chuck	1