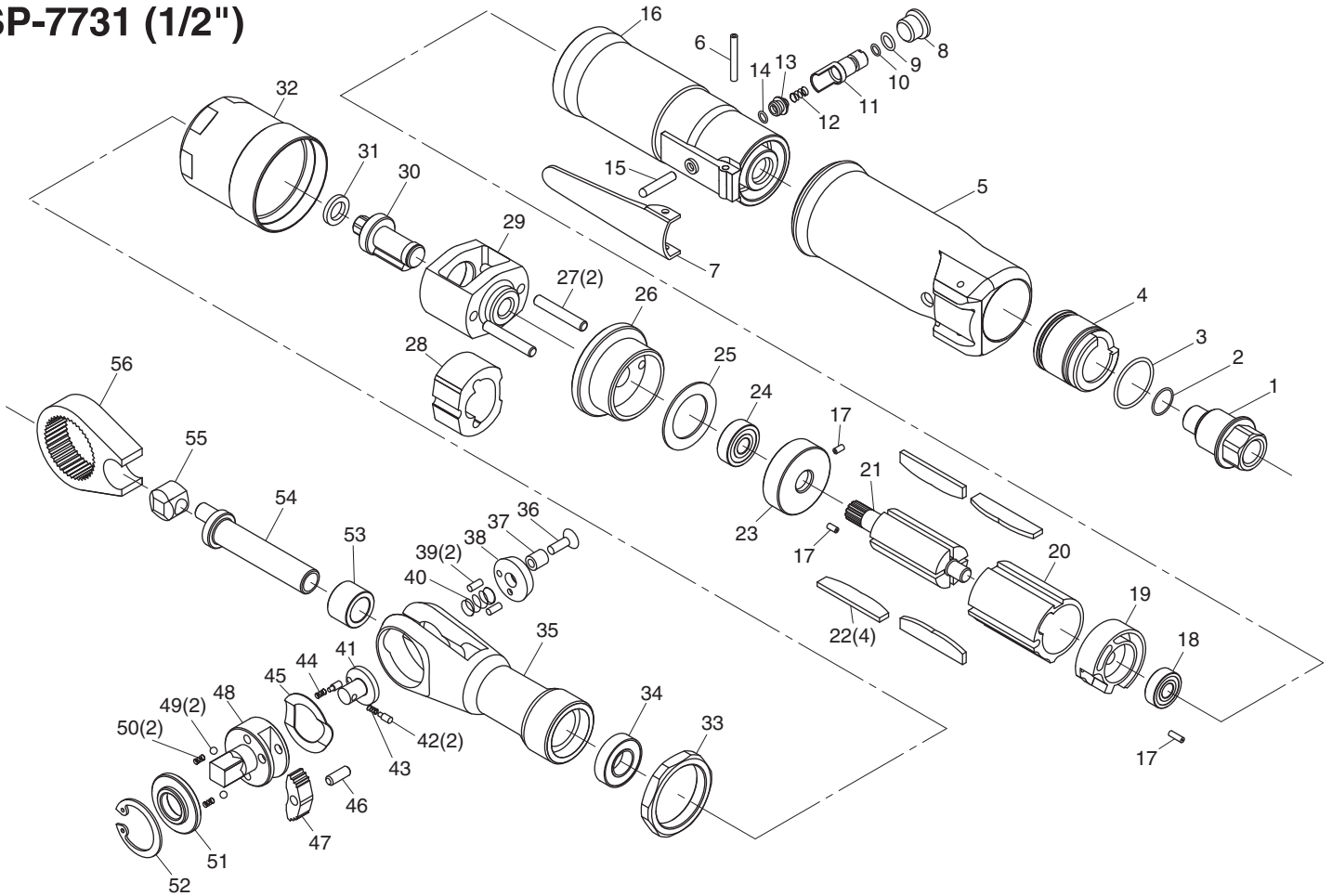


1/2" & 3/8" REACTION FREE RATCHET WRENCH

EXPLODED VIEW

SP-7730 (3/8")

SP-7731 (1/2")



PARTS LIST

Index No.	Parts No.	Description	Qty. Per tool
1	7730-01	Swivel Inlet Bushing	1
2	7730-02	O-Ring	1
3	7730-03	O-Ring	1
4	7730-04	Exhaust Sleeve	1
5	7730-05	Housing Cover	1
6	7730-06	Spring Pin	1
7	7730-07	Throttle Lever	1
8	7730-08	Valve Nut	1
9	7730-09	Valve Nut O-Ring	1
10	7730-10	O-Ring	1
11	7730-11	Regulator	1
12	7730-12	Throttle Valve Spring	1
13	7730-13	Throttle Valve	1
14	7730-14	Throttle Valve O-Ring	1
15	7730-15	Throttle Plunger	1
16	7730-16	Motor Housing	1
17	7730-17	Spring Pin	3
18	7730-18	Ball Bearing	1
19	7730-19	Rear End Plate	1
20	7730-20	Cylinder	1
21	7730-21	Rotor	1
22	7730-22	Rotor Blade	4
23	7730-23	Front End Plate	1
24	7730-24	Ball Bearing	1
25	7730-25	Lock Washer	1
26	7730-26	Lock Ring	1
27	7730-27	Hammer Pin	2
28	7730-28	Hammer	1
29	7730-29	Hammer Frame	1
30	7730-30	Spindle	1

Index No.	Parts No.	Description	Qty. Per tool
31	7730-31	Spindle Spacer	1
32	7730-32	Clutch Housing	1
33	7730-33	Lock Nut	1
34	7730-34	Ball Bearing	1
35	7730-35	Ratchet Housing	1
36	7730-36	Reverse Knob Screw	1
37	7730-37	Reverse Collar	1
38	7730-38	Reverse Knob	1
39	7730-39	Reverse Push Pin	2
40	7730-40	Reverse Knob Spring	1
41	7730-41	Reverse Shaft (3/8")	1
	7731-41	Reverse Shaft (1/2")	1
42	7730-42	Reverse Pin	2
43	7730-43	Reverse Spring	1
44	7730-44	Spring	1
45	7730-45	Wear Washer	1
46	7730-46	Ratchet Pawl Pin	1
47	7730-47	Ratchet Pawl	1
	7730-48	Ratchet Anvil (3/8")	1
48	7731-48	Ratchet Anvil (1/2")	1
49	7730-49	Steel Ball	2
50	7730-50	Thrust Washer Spring	2
	7730-51	Thrust Washer (3/8")	1
51	7731-51	Thrust Washer (1/2")	1
52	7730-52	Retaining Ring	1
53	7730-53	Needle Bearing	1
54	7730-54	Crank Shaft	1
55	7730-55	Drive Bushing	1
56	7730-56	Ratchet Yoke	1