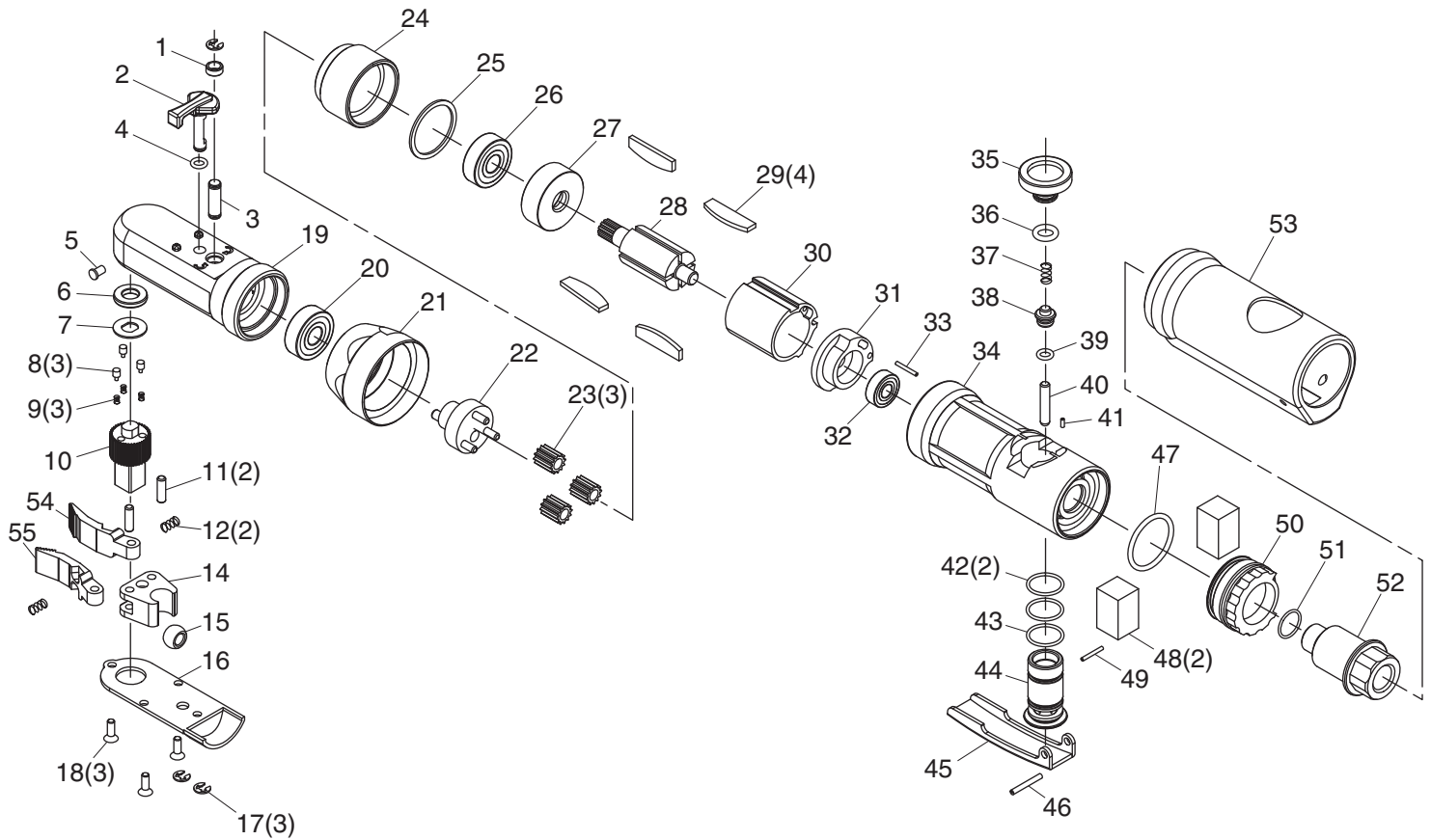


1/4" & 3/8" SQ.DR.FLAT HEAD RATCHET WRENCH

EXPLODED VIEW



PARTS LIST

Index No.	Parts No.	Description	Qty. Per tool
1	7260-01	Yoke Bush	1
2	7260-02	Reverse Lever	1
3	7260-03	Pivot Pawl	1
4	7260-04	O-Ring	1
5	7260-05	Grease Fitting	1
6	7260-06	Spindle Bushing	1
7	7260-07	Fixed Washer	1
8	7260-08	Pin	3
9	7260-09	Spring	3
10	7260-10	Ratchet Anvil(1/4")	1
	7265-10	Ratchet Anvil(3/8")	1
	7265W-10	Wobble Ratchet Anvil(3/8")	1
11	7260-11	Needle Roller	2
12	7260-12	Ratchet Spring	2
14	7260-14	Ratchet Yoke	1
15	7260-15	Drive Bushing	1
16	7260-16	Ratchet Housing Cover	1
17	7260-17	E-Ring	3
18	7260-18	Screw	3
19	7260-19	Ratchet Housing	1
20	7260-20	Ball Bearing	1
21	7260-21	Coupling Nut	1
22	7260-22	Planet Cage with Pin	1
23	7260-23	Idle Gear	3
24	7260-24	Internal Gear	1
25	7260-25	Lock Washer	1
26	7260-26	Ball Bearing	1
27	7260-27	Front End Plate	1

Index No.	Parts No.	Description	Qty. Per tool
28	7260-28	Rotor	1
29	7260-29	Rotor Blade	4
30	7260-30	Cylinder	1
31	7260-31	Rear End Plate	1
32	7260-32	Ball Bearing	1
33	7260-33	Spring Pin	1
34	7260-34	Motor Housing	1
35	7260-35	Regulator Dial	1
36	7260-36	O-Ring	1
37	7260-37	Valve Spring	1
38	7260-38	Valve	1
39	7260-39	O-Ring	1
40	7260-40	Valve Shaft	1
41	7260-41	Spring Pin	1
42	7260-42	O-Ring	2
43	7260-43	O-Ring	1
44	7260-44	Air Regulator	1
45	7260-45	Throttle Lever	1
46	7260-46	Spring Pin	1
47	7260-47	O-Ring	1
48	7260-48	Sponge	2
49	7260-49	Spring Pin	1
50	7260-50	Exhaust Sleeve	1
51	7260-51	O-Ring	1
52	7260-52	Swivel Inlet Bushing	1
53	7260-53	Housing Cover	1
54	7260-54	Ratchet L	1
55	7260-55	Ratchet R	1