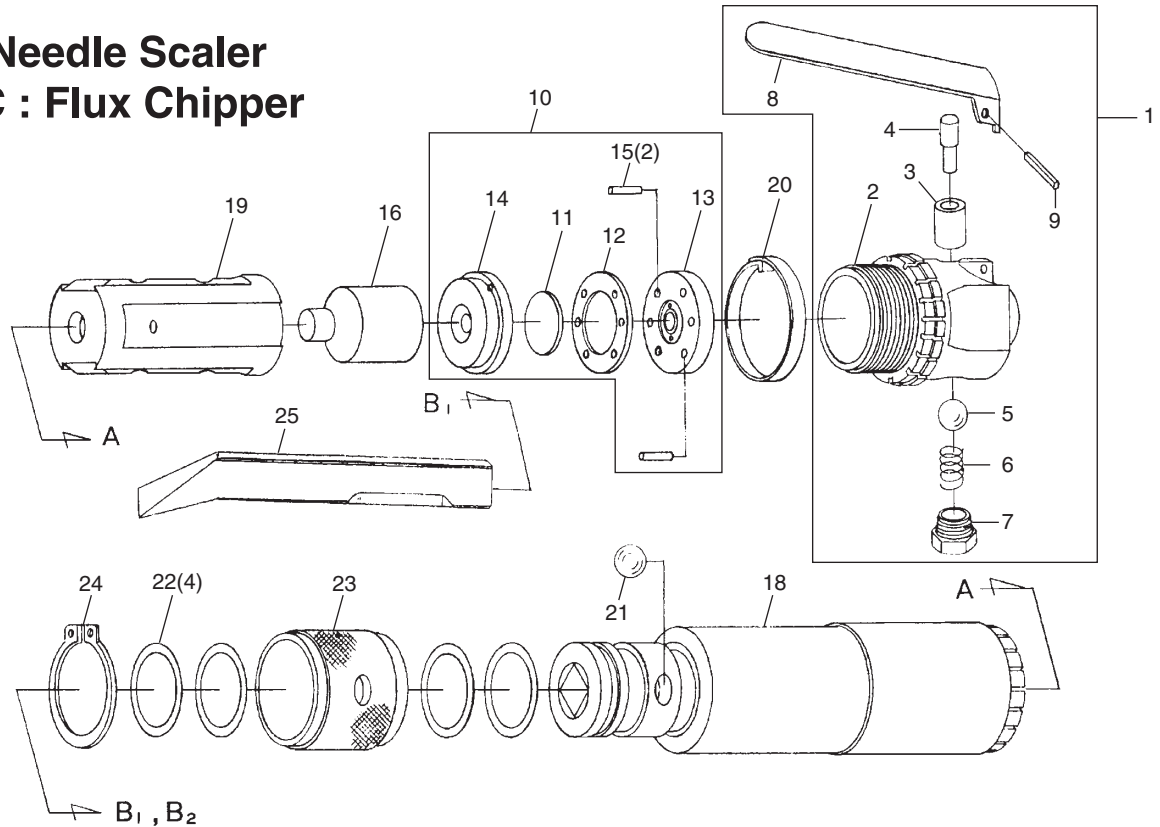


# NEEDLE SCALER & FLUX CHIPPER

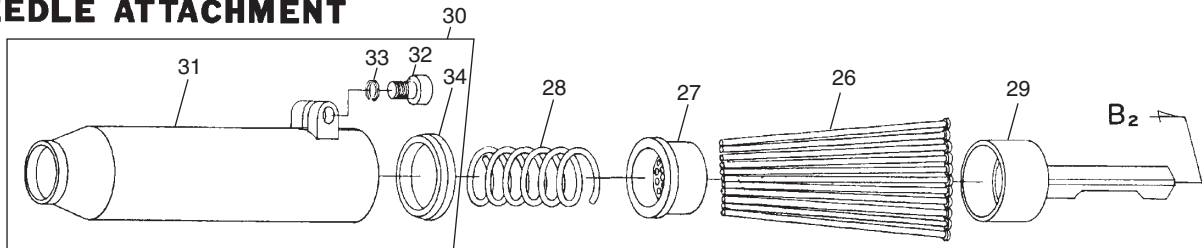
EXPLODED VIEW

**SP-1470 : Needle Scaler**

**SP-1470FC : Flux Chipper**



## NEEDLE ATTACHMENT



## PARTS LIST

Index No.	Parts No.	Description	Qty. Per tool
1	431-01	Cylinder Cap Assy (Incl:2,3,4,5,6,7,8,9)	1
2	431-02	Cylinder Cap	1
3	431-03	Throttle Bushing	1
4	431-04	Throttle Rod	1
5	431-05	Ball (3/8)	1
6	431-06	Spring	1
7	431-07	Throttle Cap	1
8	431-08	Throttle Lever	1
9	431-09	Spring Roll Pin	1
10	431-10	Main Valve Assy (Incl:11,12,13,14,15)	1
11	431-11	Main Valve	1
12	431-12	Main Valve Case	1
13	431-13	Upper Main Valve	1
14	431-14	Lower Main Valve	1
15	431-15	Pin	2
16	431-16	Piston	1
17	431-17	Cylinder Body Assy (Incl:18,19)	1
18	431-18	Cylinder Body	1
19	431-19	Piston Sleeve	1
20	431-20	Lock Ring	1
21	431-21	Ball (7/16)	1
22	431-22	O-Ring	4
23	431-23	Chisel Cover	1
24	431-24	Snap Ring	1

Index No.	Parts No.	Description	Qty. Per tool
25	431-25	Chisel	1
26	431-26	Needle	1
27	431-27	Needle Flange	1
28	431-28	Spring	1
29	431-29	Needle Shank	1
30	431-30	Needle Cover Assy (Incl:31,32,33,34)	1
31	431-31	Needle Cover	1
32	431-32	Hex. Socket Bolt	1
33	431-33	Spring Washer	1
34	431-34	Spring Receiver	1

The types and specifications may be changed without notice.  
470, 470FC 201004S