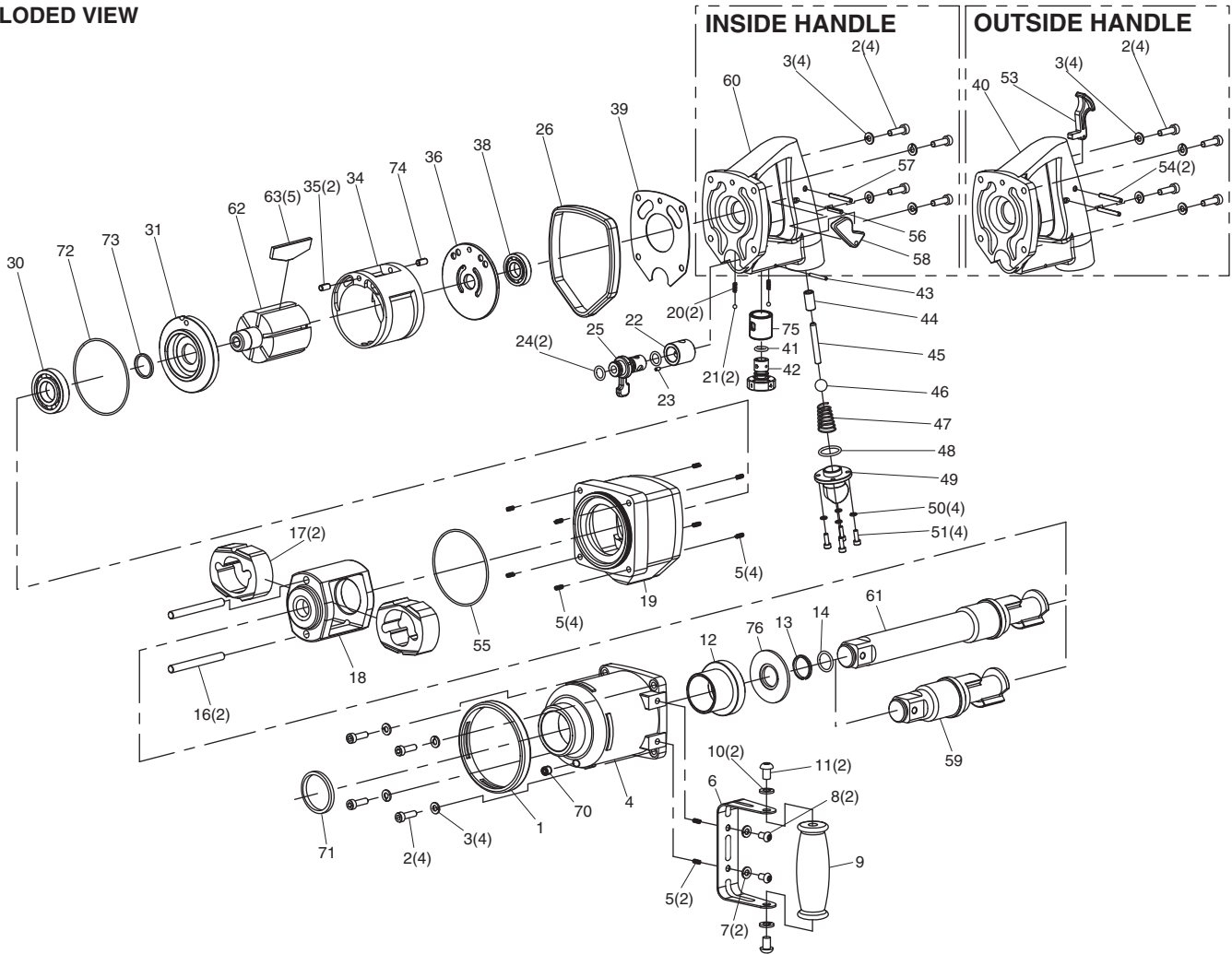


1" IMPACT WRENCH

EXPLODED VIEW



PARTS LIST

Index No.	Parts No.	Description	Qty. Per tool
1	192DX-01	Hammer Case Band	1
2	192DX-02	Cap Screw	8
3	192DX-03	Spring Washer	8
4	192DX-04	Hammer Case (incl:12)	1
5	192DX-05	Helically Coiled Insert	10
6	192DX-06	Handle Bracket	1
7	192DX-07	Spring Washer	2
8	192DX-08	Hex.Socket Bolt	2
9	192DX-09	Support Handle	1
10	192DX-10	Spring Washer	2
11	192DX-11	Cap Screw	2
12	192DX-12	Hammer Case Bushing	1
13	192DX-13	Retaining Ring	1
14	192DX-14	O-Ring	1
16	192DX-16	Hammer Pin	2
17	192DX-17	Hammer	2
18	192DX-18	Hammer Frame	1
19	192DX-19	Motor Housing (incl:5)	1
20	192DX-20	Spring	2
21	192DX-21	Steel Ball	2
22	192DX-22	Reverse Valve Bushing	1
23	192DX-23	Set Screw	1
24	192DX-24	O-Ring	2
25	192DX-25	Reverse Lever	1
26	192DX-26	Housing Band	1
30	192DX-30	Ball Bearing	1
31	192DX-31	Front End Plate	1
34	192DX-34	Cylinder	1
35	192DX-35	Spring Pin	1
36	192DX-36	Rear End Plate	1
38	192DX-38	Ball Bearing	1

Index No.	Parts No.	Description	Qty. Per tool
39	192DX-39	Motor Case Gasket	1
40	192DX-40	Handle Frame Assy (Outside)(incl:22,23,44)	1
41	192DX-41	O-Ring	1
42	192DX-42	Regulator	1
43	192DX-43	Spring Pin	1
44	192DX-44	Throttle Bushing	1
45	192DX-45	Throttle Valve Shaft	1
46	192DX-46	Valve Ball	1
47	192DX-47	Valve Spring	1
48	192DX-48	O-Ring	1
49	192DX-49	Inlet Bushing	1
50	192DX-50	Spring Washing	4
51	192DX-51	Cap Screw	4
53	192DX-53	Throttle Lever (Outside)	1
54	192DX-54	Spring Pin	2
55	192DX-55	O-Ring	1
56	192DX-56	Spring Pin	1
57	192DX-57	Spring Pin	1
58	192DX-58	Throttle Lever (Inside)	1
59	192DX-59	2"Short Anvil	1
60	192DX-60	Handle Frame Assy (Inside)(incl:22,23,44)	1
61	192DX-61	8"Long Anvil	1
62	192DX-62	Rotor	1
63	192DX-63	Rotor Blade	5
70	192DX-70	Oil Plug	1
71	192DX-71	Oil Seal	1
72	192DX-72	O-Ring	1
73	192DX-73	Oil Seal	1
74	192DX-74	Spring Pin	1
75	192DX-75	Regulator Bushing	1
76	192DX-76	Anvil Spacer	1